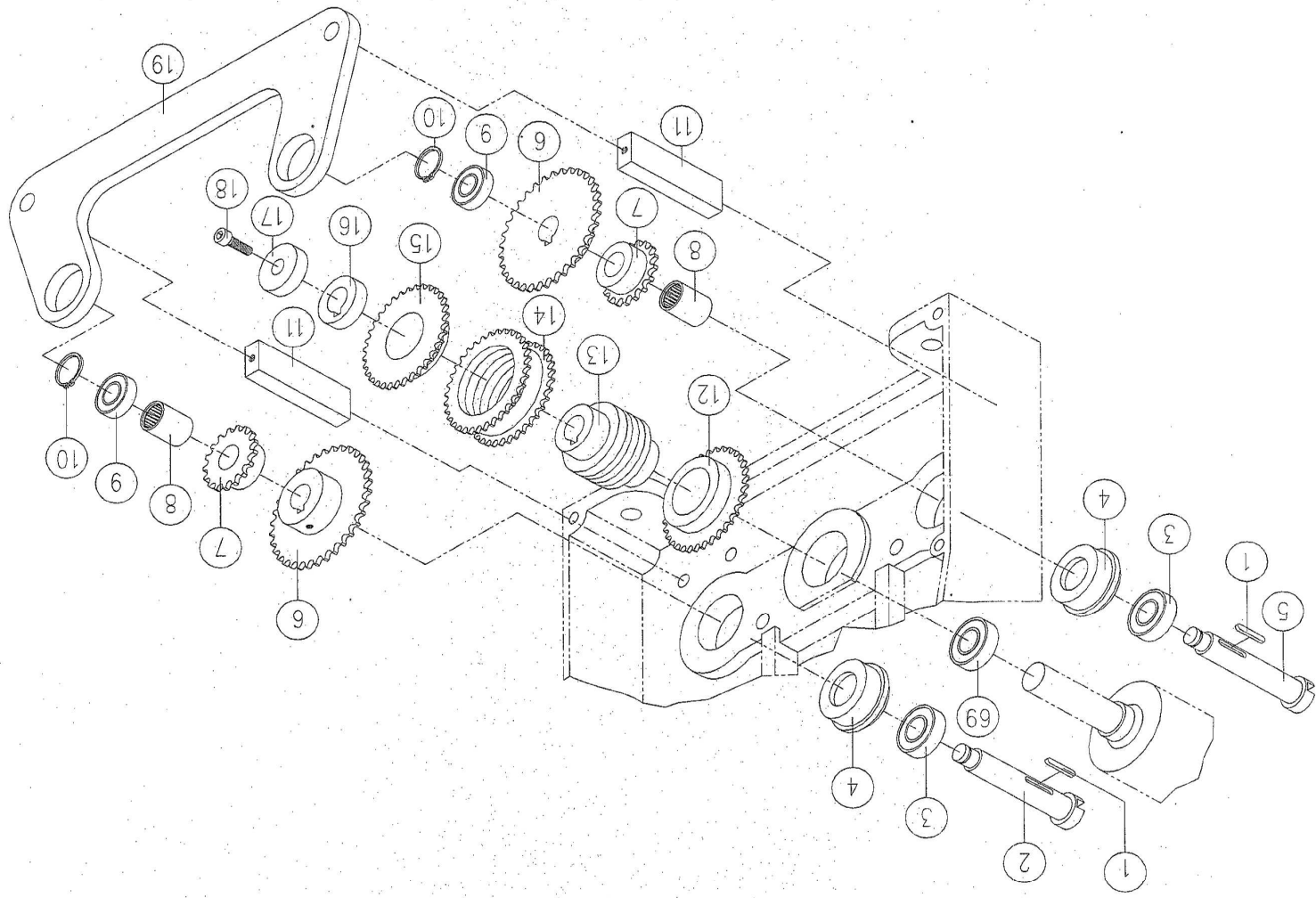


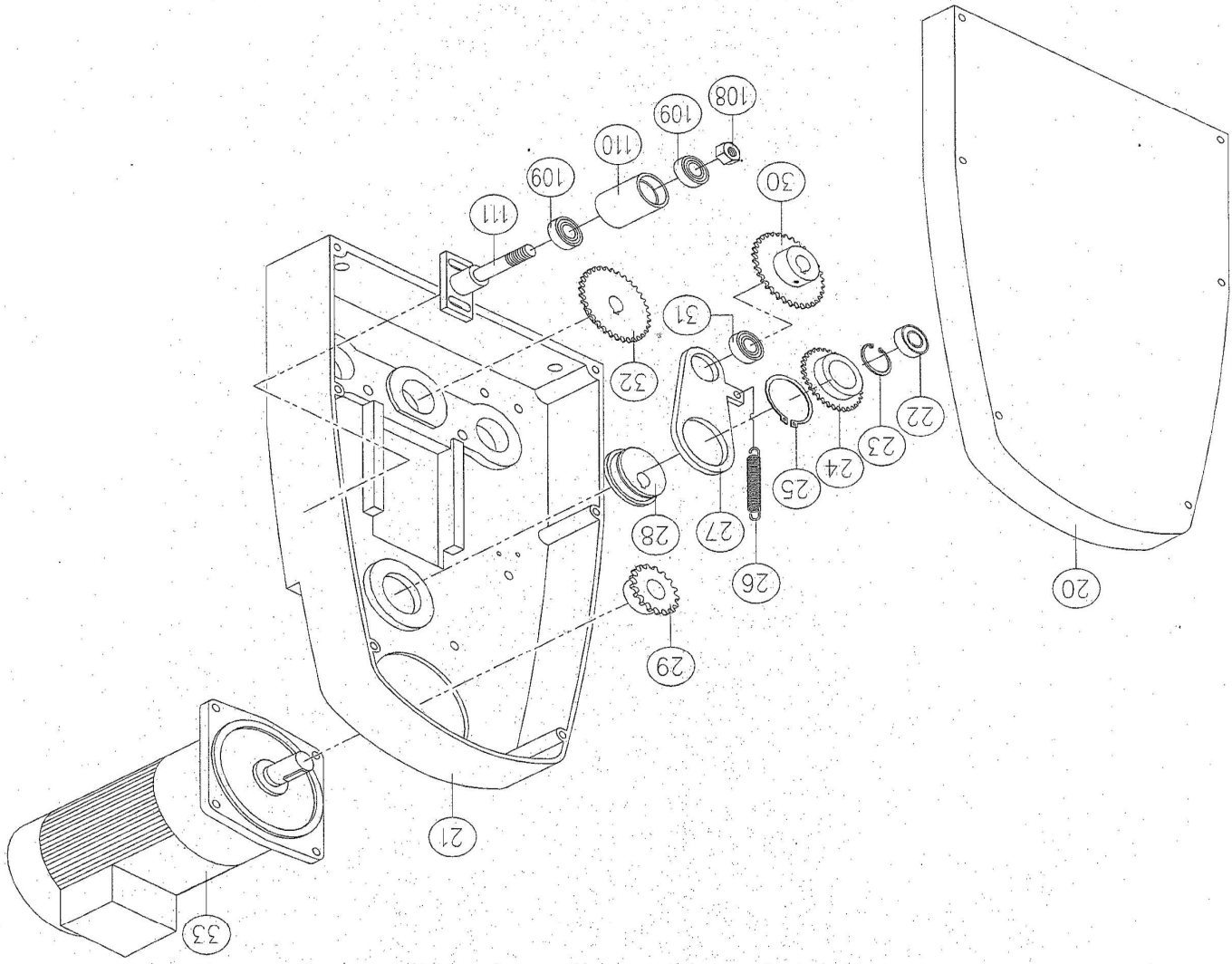


BENCH TYPE



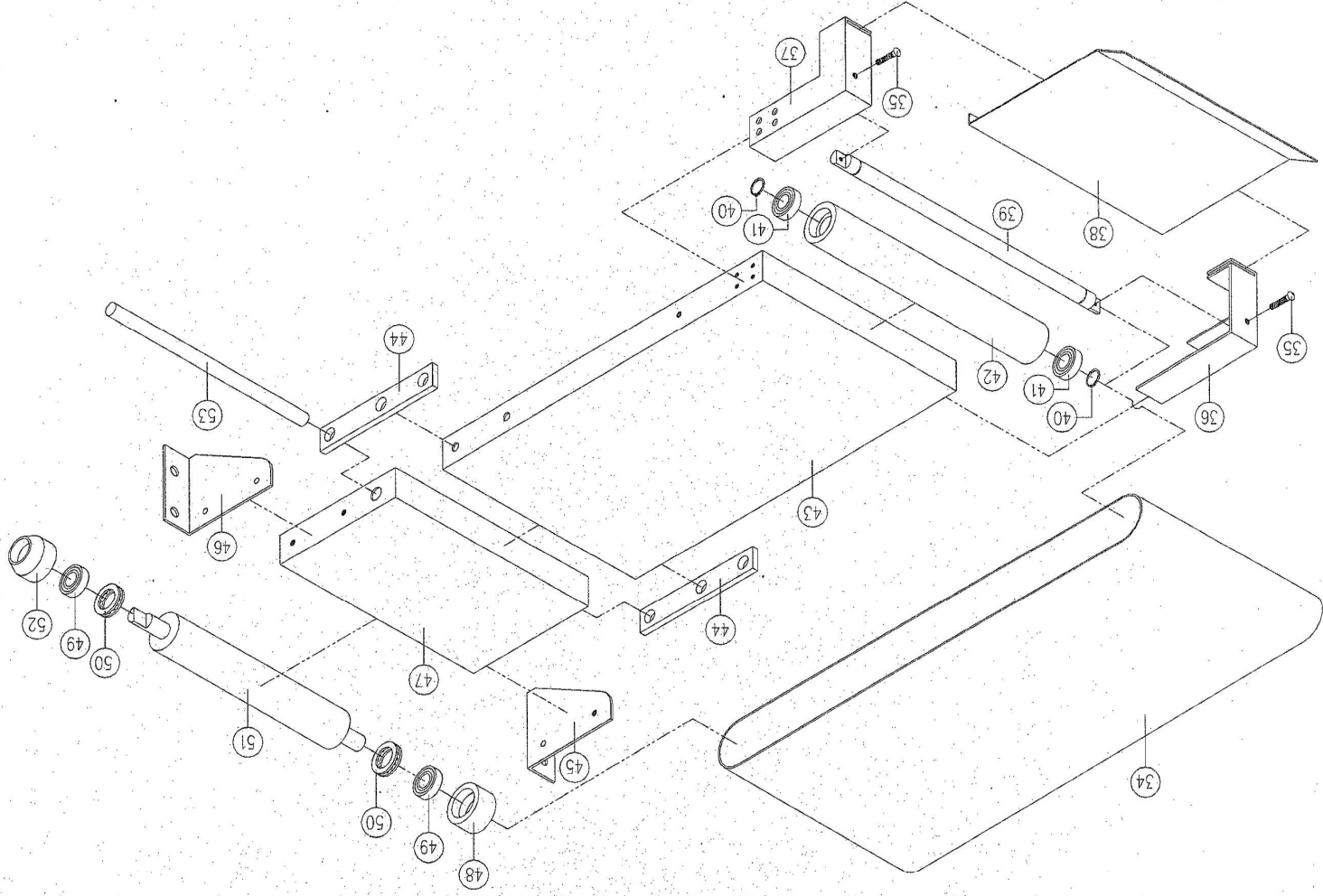


BENCH TYPE



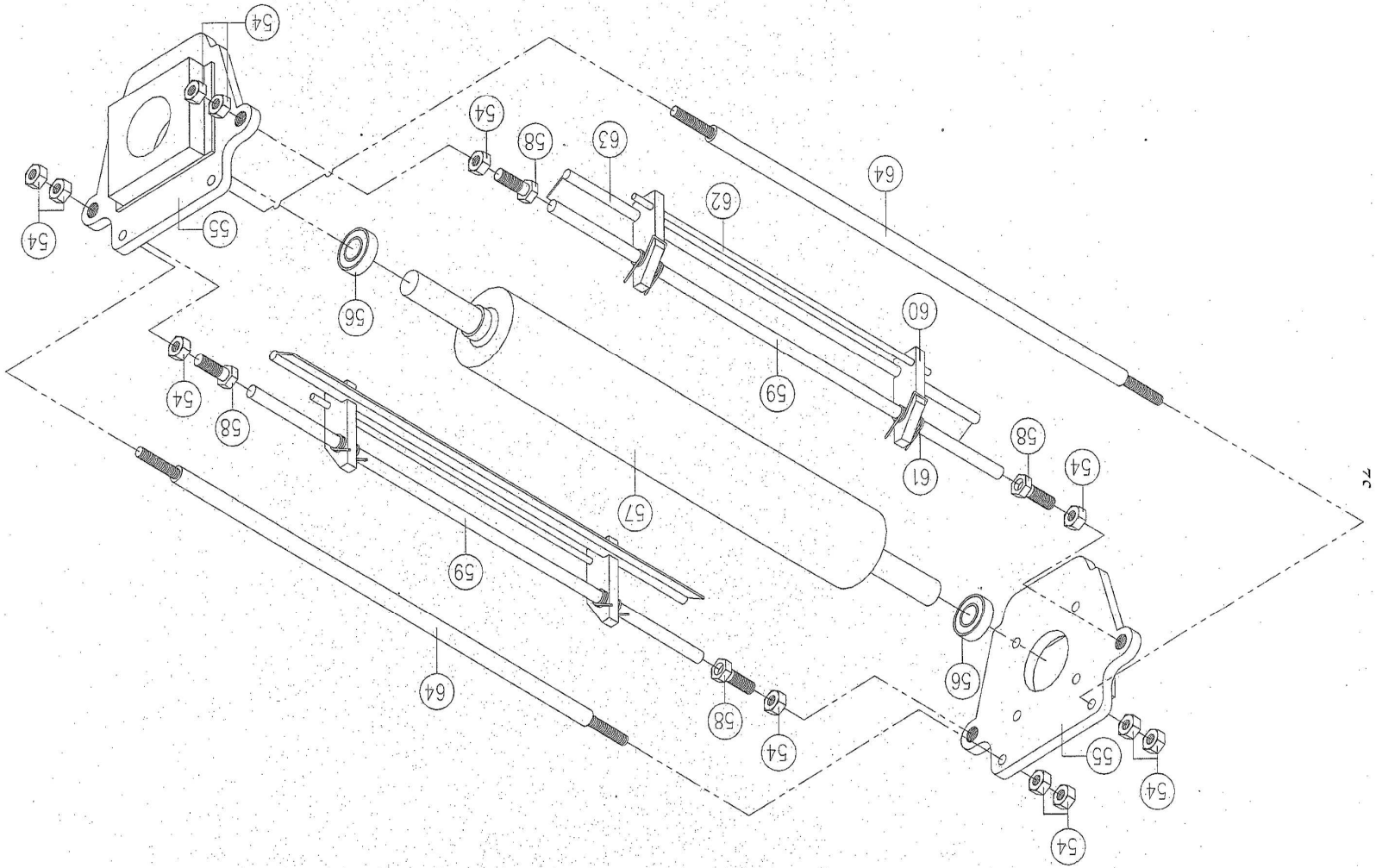


BENCH TYPE



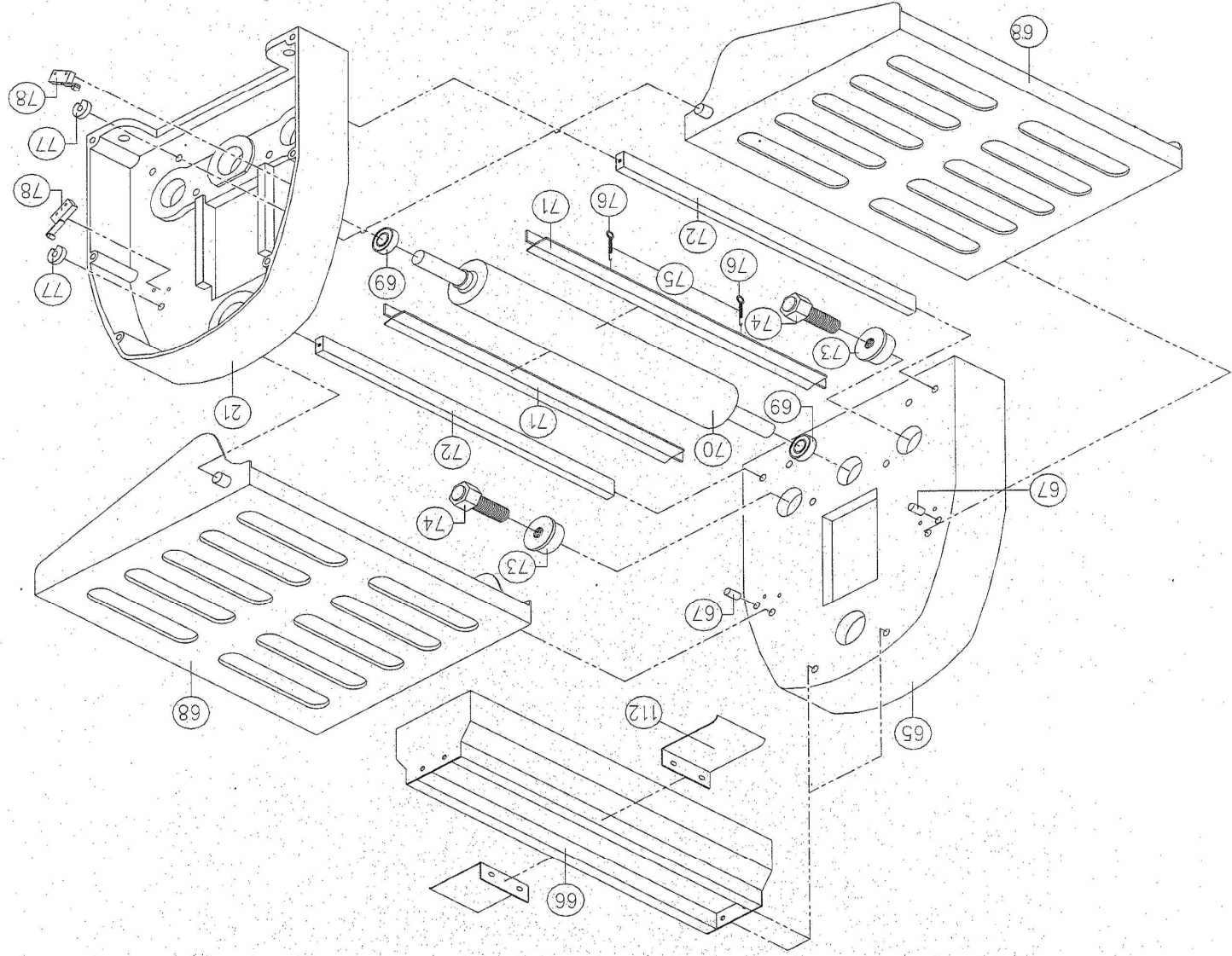


BENCH TYPE



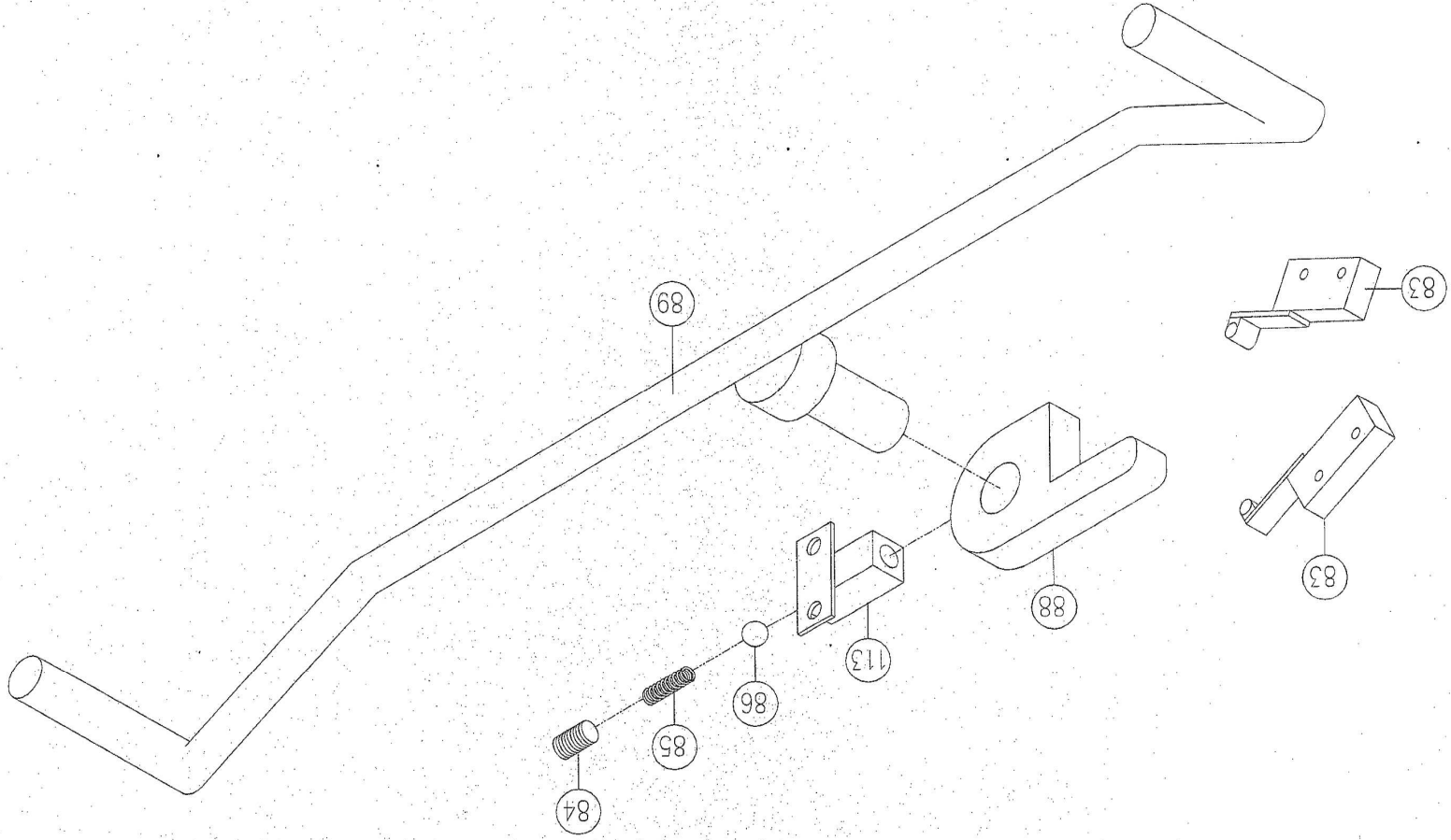


BENCH TYPE



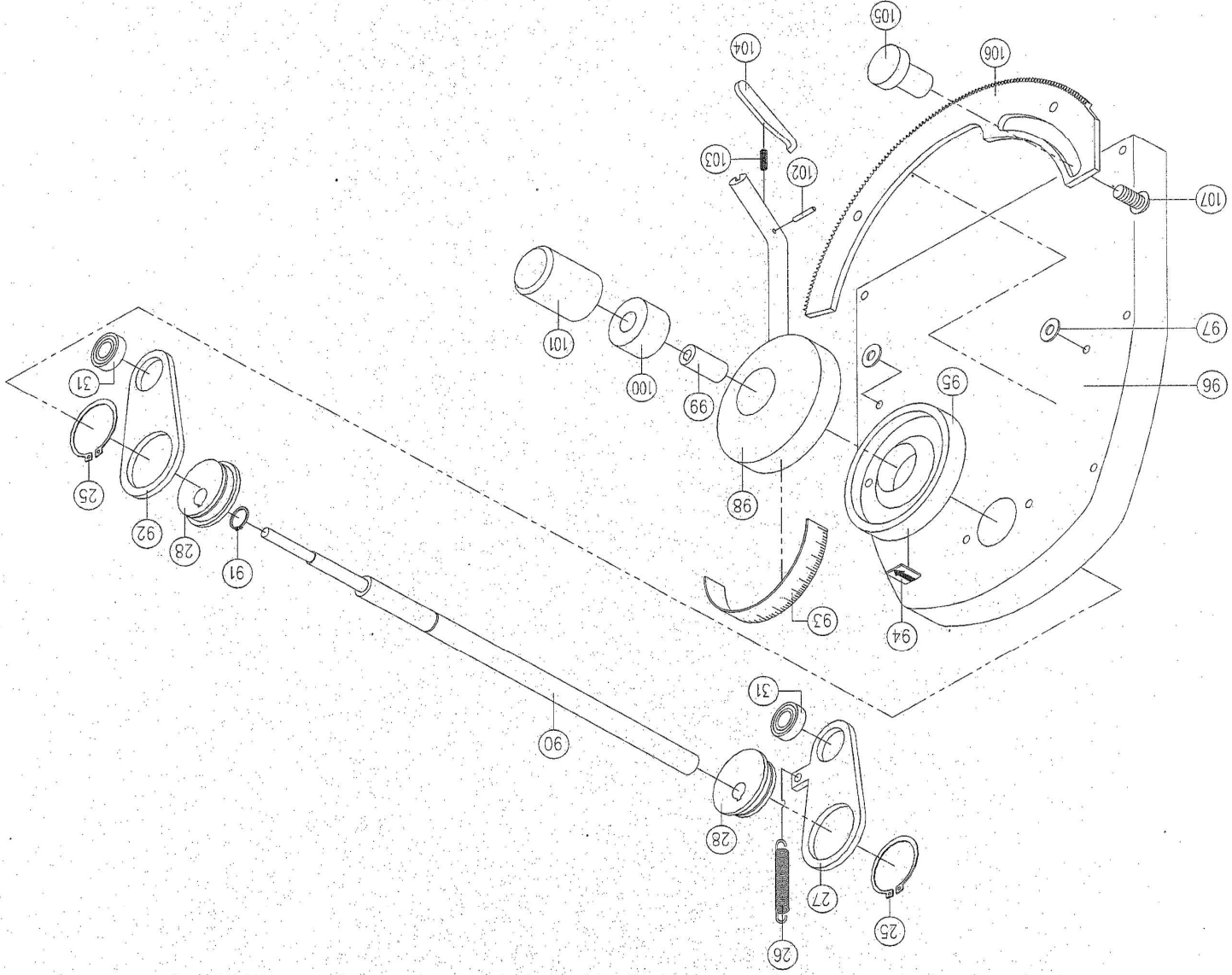


BENCH TYPE





BENCH TYPE



72-AXTDS

ACCPAC	NO.	NAME	QTY.
73-D001	1	#1 KEY	NA
73-D002	2	#2 SHAFT SPROCKET	NA
73-D003	3	#3 DEEP GROOVE BALL BEARING 6004ZZ	NA
73-D004	4	#4 BEARING BLOCK	NA
73-D005	5	#5 SHAFT SPROCKET	NA
73-D006	6	#6 CHAIN	NA
73-D007	7	#7 CHAIN	NA
73-D008	8	#8 PIN BEARING FC-20	NA
73-D009	9	#9 DEEP GROOVE BALL BEARING 6003ZZ	NA
73-D010	10	#10 C. RETAINER RING S-17	NA
73-D011	11	#11 STAY	NA
73-D012	12	#12 CHAIN	NA
73-D013	13	#13 SHAFT SPROCKET	NA
73-D014	14	#14 CHAIN	NA
73-D015	15	#15 CHAIN	NA
73-D016	16	#16 SPACERS	NA
73-D017	17	#17 WASHER, FLAT	NA
73-D018	18	#18 BOLT	NA
73-D019	19	#19 SUPPORT BRACKET	NA
73-D020	20	#20 REAR PANEL	NA
73-D021	21	#21 REAR CASING	NA
73-D022	22	#22 DEEP GROOVE BALL BEARING 6205ZZ	NA
73-D023	23	#23 C. RETAINER RING R-52	NA
73-D024	24	#24 CHAIN	NA
73-D025	25	#25 C. RETAINER RING S-70	NA
73-D026	26	#26 EXPANSION SPRING	NA
73-D027	27	#27 CONNECTING BOARD	NA
73-D028	28	#28 LEVER RING	NA
73-D029	29	#29 CHAIN	NA
73-D030	30	#30 CHAIN	NA
73-D031	31	#31 DEEP GROOVE BALL BEARING 6205ZZ	NA
73-D032	32	#32 CHAIN	NA
73-8345	33	#33 MOTOR	NA
73-8344	34	#34 CONVEYOR BELT	NA
73-D035	35	#35 BOLT, ADJUSTABLE	NA
73-D036	36	#36 LEFT SUPPORT BRACKET	NA
73-D037	37	#37 RIGHT SUPPORT BRACKET	NA
73-D038	38	#38 EXTENSION CATCH PAN	NA
73-D039	39	#39 SHAFT, DRIVEN	NA
73-D040	40	#40 C. RETAINER RING S-17	NA
73-D041	41	#41 DEEP GROOVE BALL BEARING 6203ZZ	NA
73-D042	42	#42 ROLLER	NA
73-D043	43	#43 BASE	NA
73-D044	44	#44 CONNECTING ROD	NA
73-D045	45	#45 LEFT SUPPORT BRACKET	NA
73-D046	46	#46 RIGHT SUPPORT BRACKET	NA
73-D047	47	#47 BASE	NA
73-D048	48	#48 BEARING BLOCK	NA
73-D049	49	#49 DEEP GROOVE BALL BEARING 6003ZZ	NA
73-D050	50	#50 THRUST BALL BEARING 5 12 03	NA
73-D051	51	#51 SHAFT, ROLL	NA
73-D052	52	#52 BEARING BLOCK	NA
73-D053	53	#53 AXLE, SUPPORTING	NA
73-D054	54	#54 NUT	NA
73-D055	55	#55 SEAT, SLIDING	NA
73-D056	56	#56 DEEP GROOVE BALL BEARING 6205ZZ	NA
73-D057	57	#57 UP ROLLER	NA
73-D058	58	#58 BOLT, ADJUSTABLE	NA
73-D059	59	#59 LEVER, DEAD	NA
73-D060	60	#60 LINK MASS	NA
73-D061	61	#61 TORSIONAL SPRING	NA
73-D062	62	#62 BAR, FULCRUM	NA
73-D063	63	#63 STRICKLE SWEEP	NA
73-D064	64	#64 BAR, FULCRUM	NA
73-D065	65	#65 FRONT CASING	NA
73-D066	66	#66 ROLLER HEAD HOUSING	NA
73-D067	67	#67 STOP PIN	NA
73-D068	68	#68 SAFETY GUARD	NA
73-D069	69	#69 DEEP GROOVE BALL BEARING 6205ZZ	NA
73-D070	70	#70 DOWN ROLLER	NA
73-D071	71	#71 STRICKLE SWEEP	NA
73-D072	72	#72 BOLT, SUPPORT	NA
73-D073	73	#73 BOLT, ANCHOR BLOCK	NA
73-D074	74	#74 SET SCREW	NA
73-D075	75	#75 EXPANSION SPRING	NA
73-D076	76	#76 RINGS	NA
73-D077	77	#77 TRIGGER	NA
73-D078	78	#78 MICRO SWITCH	NA
73-D083	83	#83 MICRO SWITCH	NA
73-D084	84	#84 BOLT	NA
73-D085	85	#85 COMPRESSION SPRING	NA
73-D086	86	#86 BALL	NA
73-D088	88	#88 LOCATING MASS	NA
73-D089	89	#89 MOVEMENT CONTROL LEVER	NA
73-D090	90	#90 BOLT, SHAFT	NA
73-D091	91	#91 C. RETAINER RING S-25	NA
73-D092	92	#92 CONNECTING BOARD	NA
73-D093	93	#93 GRADUATED SCALE	NA
73-D094	94	#94 FINGER	NA
73-D095	95	#95 HANDLE BASE	NA
73-D096	96	#96 FRONT PANEL	NA
73-D097	97	#97 WASHER, FLAT	NA
73-D098	98	#98 HANDLE	NA
73-D099	99	#99 SPACERS	NA
73-D100	100	#100 SPACERS	NA
73-D101	101	#101 BOLT COVER	NA
73-D102	102	#102 PIN	NA
73-D103	103	#103 COMPRESSION SPRING	NA
73-D104	104	#104 TRIGGER, LOCKING PIN	NA
73-D105	105	#105 LOCKING MASS	NA
73-D106	106	#106 RAIL REST	NA
73-D107	107	#107 BOLT, CHEESE HEAD	NA
73-D108	108	#108 NUT	NA
73-D109	109	#109 DEEP GROOVE BALL BEARING 6003ZZ	NA
73-D110	110	#110 IDLER WHEEL	NA
73-D111	111	#111 FIXED BASE	NA
73-D112	112	#112 FIXED BOARD	NA
73-D113	113	#113 LOCATING MASS	NA
73-D114	N/A	#CR-2-1-6 CONTACTOR	NA