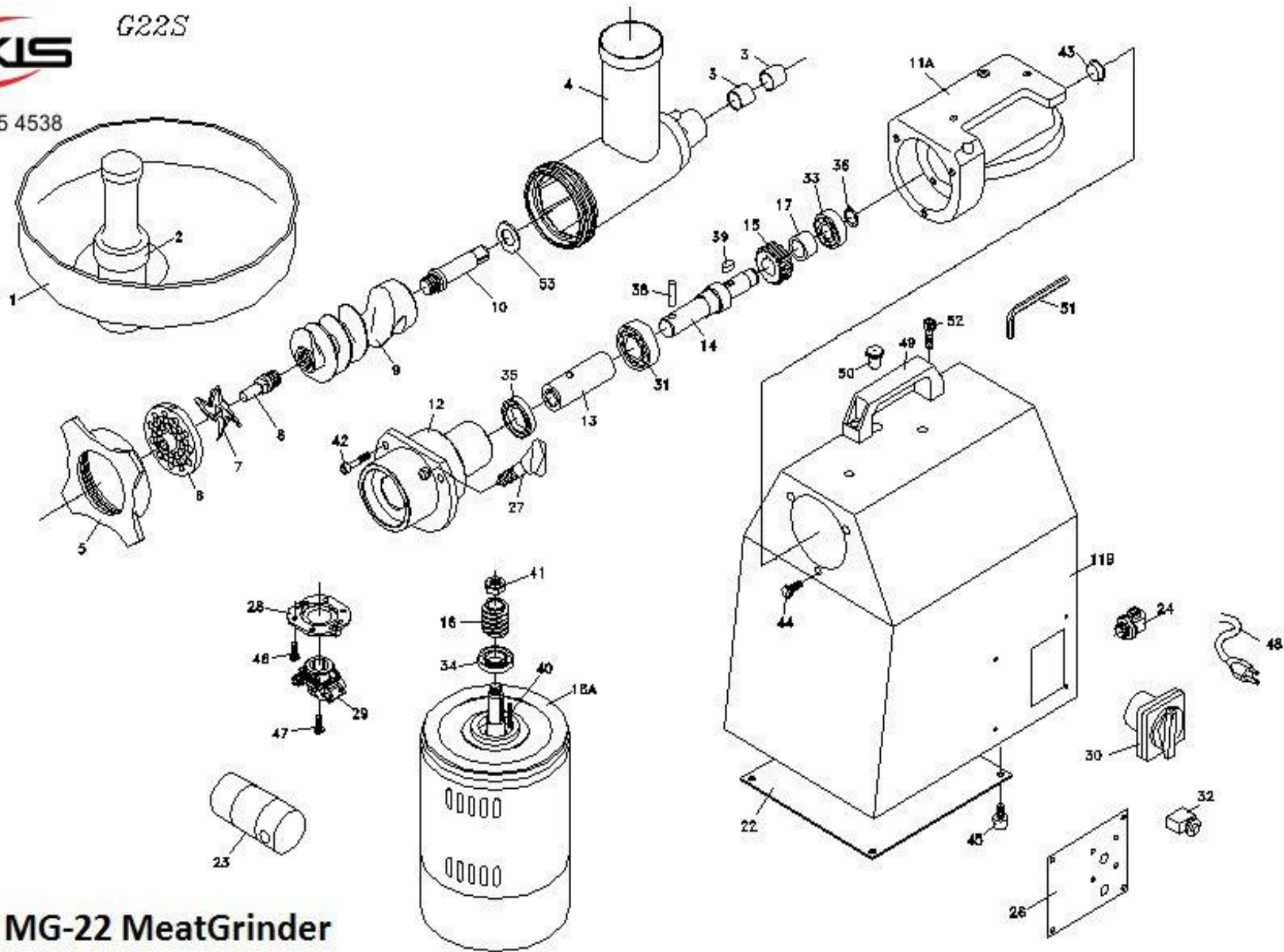




G22S

1 888 275 4538



Axis MG-22 MeatGrinder

PART LIST FOR 72-MG22

ACCPAC 72-MG22
SN TYPE M*****



1 888 275 4538

LIST OF PARTS

#	ACCPAK #	DESCRIPTION
1	73-G038	#722-001 FEEDER PAN
2	73-G003	#712-002 MEAT PUSHER
3	73-G064	#BR-1915 BALL BEARING#1915
4	73-G039	#722-004 GRINDING CHAMBER
5	73-G040	#722-005 COUPLING COVER
6	73-G041	#722-006A PRESSURE PLATE-4, , 8, 10, 12
7	73-G042	#722-007 REAMER
8	73-G043	#722-008 HOLDER
9	73-G044	#722-009 SPRIAL PROPELLER
10	73-G045	#722-010 PLUNGER
11	73-G046	#722-011A GEAR BOX
11	73-G047	#722-011B HOUSING
12	73-G048	#722-012 ATTACHMENT HUB
13	73-G049	#722-013 HUB SHAFT
14	73-G050	#722-014 WORM SHAFT
15	73-G051	#722-015 WORM GEAR
16	73-G052	#722-016 WORM
17	73-G053	#722-017 SPACER
18	73-G054	#722-018A MOTOR
22	73-G022	#712-022 PLATE
23	73-G055	#722-023 CAPACITOR
24	73-G024	#712-024 CABLE TIE
25	73-G056	#722-025 POWER CORD & PLUG (NO PN)
26	73-G057	#722-026A LOGO STICKER SPECIFICATION PLATE
27	73-G058	#722-027 THUB SCREW
28	73-G059	#722-028 CENTRIFUGAL GOVERNOR PLATE
29	73-G060	#722-029 CENTRIFUGAL GOVERNOR
30	73-G061	#722-030 SWITCH
31	73-G066	#BR-6205 BALL BEARING#6205
32	73-G030	#712-032 RESET
33	73-G065	#BR-6203 BALL BEARING#6203
34	73-G072	#OS-TC20*40*08 OIL SEAL TC20*40*8
35	73-G073	#OS-TC30*45*08 OIL SEAL TC30*45*8
36	73-G067	#CR-S17 C-TYPE SNAP RING S17
37	73-G062	#722-037 MEAT FUNNEL
38	73-G079	#SPP-8*30 SPRING PIN 8*30
39	73-G070	#KRR-6*6*15 KEY6*6*15
40	73-G068	#KRR-1/8*1/8*15 KEY1/8*1/8*25
41	73-G071	#NUT-1/2*20NF NUT 1/2*20NF
42	73-G078	#S-C-5/16*1-1/4 CAP SCREW 5/16*1-1/4
43	73-G001	#11012-04-008 OIL BAFFLE
44	73-G076	#S-5/16*3/8 BOLT 5/16*3/8
45	73-G032	#712-045 RUBBER FOOT WITH SCREW
48	73-G033	#712-048 ELECTRIC WIRE
49	73-G034	#712-049 HANDLE
50	73-G035	#712-050 OIL COCK
51	73-G036	#712-051 WRENCH
52	73-G077	#S-C-5/16*1/2 CAP SCREW 5/16*1/2
53	73-G063	#722-053 SPACER