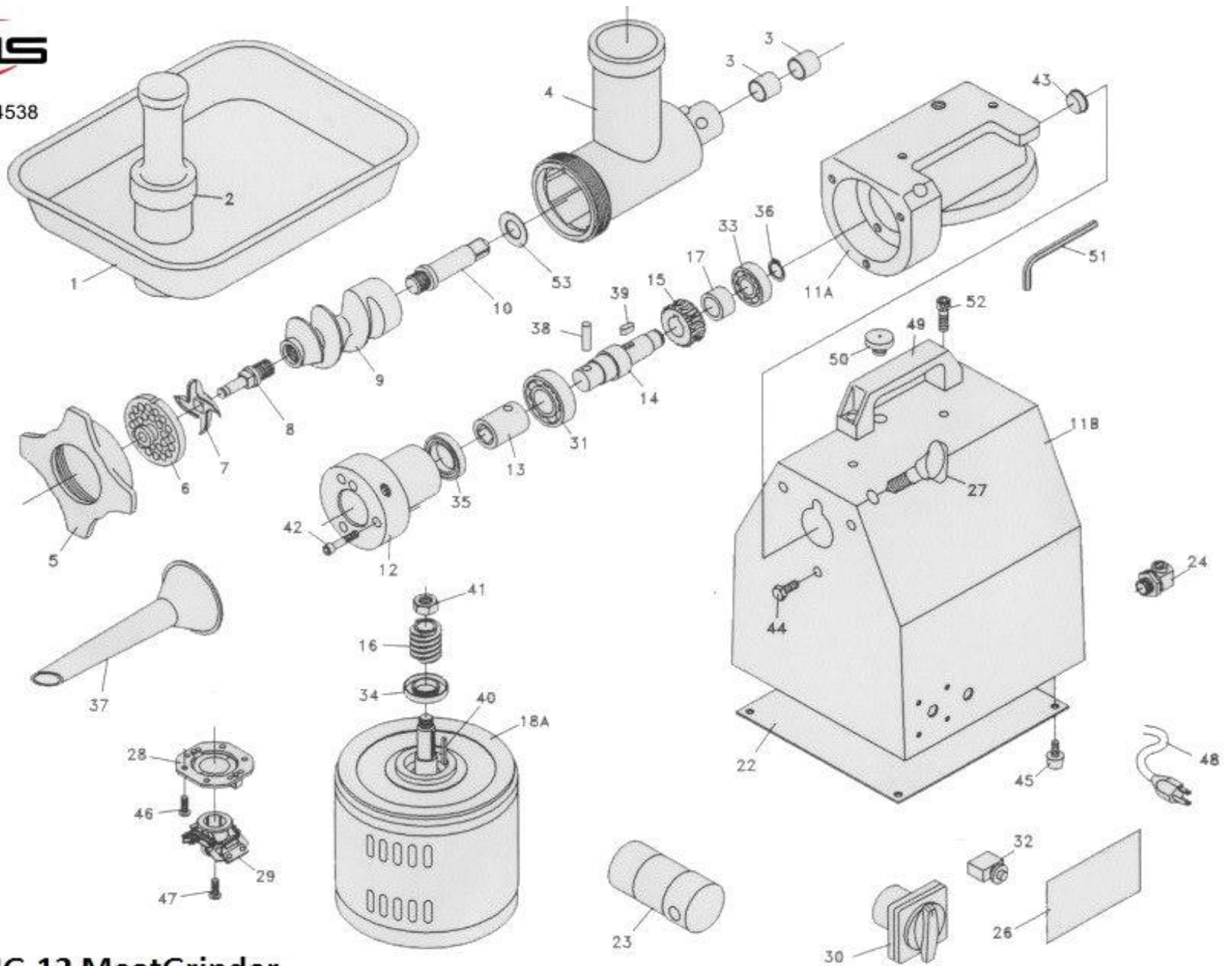




1 888 275 4538



Axis MG-12 MeatGrinder



1 888 275 4538

PART LIST FOR 72-MG12

ACCPAC
SN TYPE

72-MG12
M*****

LIST OF PARTS

#	Accpac	Description
1	73-G002	#712-001 FEEDER PAN
2	73-G003	#712-002 MEAT PUSHER
3	73-G064	#BR-1915 BALL BEARING#1915
4	73-G004	#712-004 GRINDING CHAMBER
5	73-G005	#712-005A COUPLING COVER
6	73-G006	#712-006A PRESSURE PLATE-8
6	73-G007	#712-006B PRESSURE PLATE-6
6	73-G008	#712-006C PRESSURE PLATE-4
7	73-G009	#712-007 REAMER
8	73-G010	#712-008 HOLDER
9	73-G011	#712-009 SPIRAL PROPELLER
10	73-G012	#712-010A PLUNGER
11	73-G013	#712-011A GEAR BOX
11	73-G014	#712-011B HOUSING
12	73-G015	#712-012 ATTACHMENT HUB
13	73-G016	#712-013 HUB SHAFT
14	73-G017	#712-014 WORM SHAFT
15	73-G018	#712-015 WORM GEAR
16	73-G019	#712-016 WORM
17	73-G020	#712-017 SPACER
18	73-G021	#712-018 MOTOR
22	73-G022	#712-022 PLATE
23	73-G023	#712-023 CAPACITOR
24	73-G024	#712-024 CABLE TIE
25	73-G025	#712-025 POWER CORD & PLUG (NO PN)
26	73-G057	#722-026A LOGO STICKER SPECIFICATION PLATE
27	73-G026	#712-027 THUB SCREW
28	73-G027	#712-028 CENTRIFUGAL GOVERNOR PLATE
29	73-G028	#712-029 CENTRIFUGAL GOVERNOR
30	73-G029	#712-030 SWITCH
31	73-G066	#BR-6205 BALL BEARING#6205
32	73-G030	#712-032 RESET
33	73-G065	#BR-6203 BALL BEARING#6203
34	73-G072	#OS-TC20*40*08 OIL SEAL TC20*40*8
35	73-G073	#OS-TC30*45*08 OIL SEAL TC30*45*8
36	73-G067	#CR-S17 C-TYPE SNAP RING S17
37	73-G031	#712-037 MEAT FUNNEL
38	73-G079	#SPP-8*30 SPRING PIN 8*30
39	73-G070	#KRR-6*6*15 KEY 6*6*15
40	73-G069	#KRR-1/8*1/8*25 KEY 1/8*1/8*25
41	73-G071	#NUT-1/2*20NF NUT 1/2*20NF
42	73-G078	#S-C-5/16*1-1/4 CAPSCREW5/16*1-1/4
43	73-G001	#11012-04-008 OIL BAFFLE
44	73-G076	#S-5/16*3/8 BOLT 5/16*3/8
45	73-G032	#712-045 RUBBER FOOT WITH SCREW
46	73-G074	#S+R3/16*3/8 MACH SCREW 3/16*3/8
47	73-G074	#S+R3/16*3/8 MACH SCREW 3/16*3/8
48	73-G033	#712-048 ELECTRIC WIRE
49	73-G034	#712-049 HANDLE
50	73-G035	#712-050 OIL COCK
51	73-G036	#712-051 WRENCH
52	73-G077	#S-C-5/16*1/2 CAP SCREW5/16*1/2
53	73-G037	#712-053 SPACER