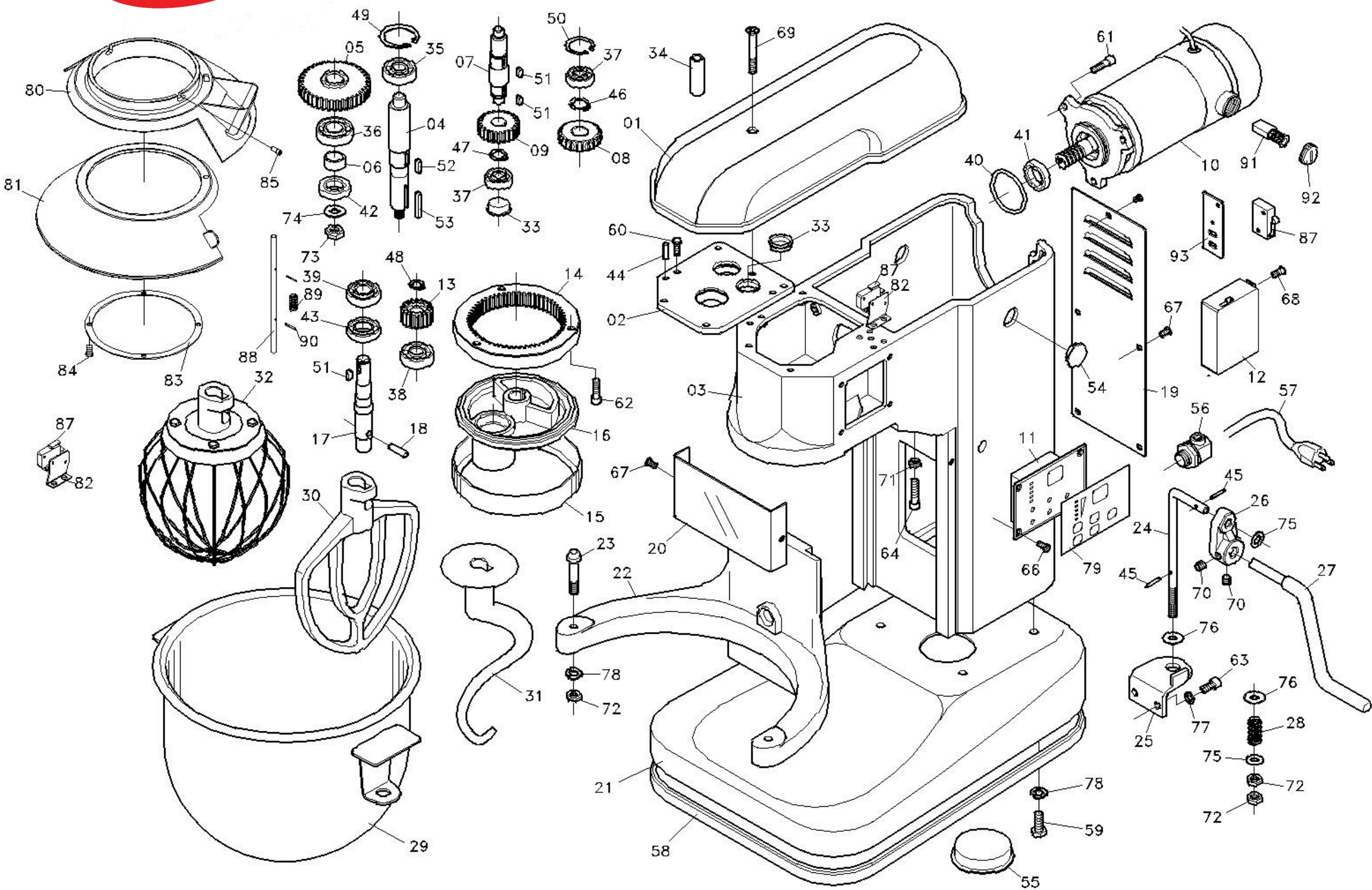




72-AX07



72-AX07			
ACCPAC	NO.	NAME	QTY.
73-701	1	#11007-01-001 TOP COVER FOR AX-M7	1
73-702	2	#11007-01-004 RETAINER	1
73-703	3	#11007-01-005 MIXER HEAD AND COLUMN	1
73-704	4	#11007-02-001 CENTER SHAFT	1
73-705	5	#11007-02-003 GEAR-CENTER SHAFT	1
73-706	6	#11007-02-010 SPACER	1
73-707	7	#11007-04-001 WORM GEAR SHAFT	1
73-0576	8	#11007-04-002 WORM GEAR	1
73-709	9	#11007-04-003 GEAR-WORM GEAR SHAFT	1
73-710	10	#11007-05-001 MOTOR (100-120V) OR (200-240V)	1
73-711	11	#11007-07-001 CONTROL BOARD	1
73-712	12	#11007-07-002 IC BOARD (100-120V) OR (200-240V)	1
73-713	13	#11007-08-001 PLANETARY GEAR	1
73-714	14	#11007-08-002 INTERNAL GEAR	1
73-715	15	#11007-08-003 HEAD RING (FOR HL-11007 (AX-M7) MODE	1
73-716	16	#11007-08-004 PLANETARY HEAD	1
73-717	17	#11007-08-005 PLANETARY SHAFT	1
73-718	18	#11007-08-007 TAPE RED PIN	1
73-719	19	#11007-09-002 REAR PLATE OF COLUMN	1
73-720	20	#11007-09-003 APRON	1
73-721	21	#11007-09-004 BASE	1
73-722	22	#11007-10-001 BOWL SUPPORT	1
73-723	23	#11007-10-002 BOWL PIN	1
73-724	24	#11007-11-001 LIFTING BAR	1
73-8516	25	#PM10T-11-002 FIXED ANGLE PLATE	1
73-726	26	#11007-11-003 LIFTING BRACKET	1
73-727	27	#11007-11-004 LIFTING HANDLE	1
73-8517	28	#BM-11-005 COMPRESSION SPRING	1
73-729	29	#11007-12-001 7 LITER BOWL	1
73-7830	30	#11007-12-002 7 QT FLAT BEATER	1
73-HOOK	31	#11007-12-003 7 QT HOOK	1
73-7W32	32	#11007-12-004 7 QT WHIP	1
73-733	33	#11012-04-008 OIL BAFFLE	1
73-734	34	#11007-01-002 COVER FIXED TUBE	1
73-0302	35	#BR-6201Z BALL BEARING (AX-M30)	1
73-0306	36	#BR-6203Z BALL BEARING (AX-M20)	1
73-73-7	37	#BR-6000Z BALL BEARING	2
73-0302	38	#BR-6201Z BALL BEARING (AX-M30)	1
73-739	39	#BR-6002Z BALL BEARING	1
73-740	40	#OR-G40 O-RING	1
73-741	41	#OS-TC153007 OIL SEAL	1
73-742	42	#OS-TC203007 OIL SEAL	1
73-743	43	#OS-TC173207 OIL SEAL	1
73-0502	44	#SPP-5X28 SPRING PIN	2
73-0498	45	#SPP-3X16 SPRING PIN 3X16	2
73-746	46	#CR-S16 (AX-M20)	1
73-747	47	#CR-S14 C-RING	1
73-748	48	#CR-S12 C-RING	1
73-8529	49	#CR-R32 C-RING	1
73-8530	50	#CR-R26 C-RING	1
73-751	51	#KRR-4X4X10 KEY	4
73-752	52	#KRR-4X4X15KEY	1
73-8520	53	#KR-4X4X25 KEY	1
73-754	54	#PP-0001 PLASTIC PLUG 3/4"	2
73-755	55	#PP-0002 PLASTIC PLUG 53MM	1
73-756	56	#WF-JGS-S CABLE CONNECTOR	1
73-0316	57	#CABLE-16-3C-UL POWER CABLE (AX-M60)	1
73-758	58	#CY-6M/M U-TYPE SEAL (AX-M12)	1
73-0471	59	#S-5/16X1/2 BOLT	4
73-0465	60	#S-3/16X1/2 BOLT	7
73-8521	61	#S-S1/4X1/2 SCREW	3
73-762	62	#S-S1/4X5/8 SCREW	3
73-8522	63	#S-S1/4X3/8 SCREW	2
73-8523	64	#S-S1/4X1 SCREW	1
73-8524	65	#S+R5/32X1/4 MACH. SCREW	4
73-8525	66	#S+F1/8X1/4 MACH. SCREW	5
73-0453	67	#S+R3/16X1/4 MAC. SCREW (AX-M40)	2
73-8501	68	#S+F3/16X1/4 MACH. SCREW	1
73-8526	69	#S+F3/16X2 MACH. SCREW	2
73-0511	70	#S-S5/16X1/4 SET SCREW	1
73-771	71	#NUT-1/4X20NC (AX-M12, M20)	4
73-8531	72	#NUT-5/16X18NC NUT	1
73-773	73	#NUT-3/8X16NC (AX-M20, M30)	1
73-0524	74	#SW-3/8 SPRING WASHER	1
73-778	75	#SW-5/16 SPRING WASHER	2
73-776	76	#W-5/16X23 FLAT WASHER	2
73-777	77	#SW-1/4 SPRING WASHER	4
73-778	78	#SW-5/16 SPRING WASHER	1
73-779	79	#11007-01-007 STICKER OF CONTROL PANEL	1
73-780	80	#11007-13-001 BACK COVER (FORCE MODEL ONLY)	1
73-781	81	#11007-13-002 FRONT COVER (FORCE MODEL ONLY)	1
73-782	82	#11007-13-003 SEAT OF MICROSWITCH (FORCE MODEL ONL	1
73-783	83	#11007-13-004 FIXED RING	4
73-8524	84	#S+R5/32X1/4 MACH. SCREW	2
73-8528	85	#S-S3/16X3/16 SCREW	2
73-0453	86	#S+R3/16X1/4 MAC. SCREW (AX-M40)	1
73-0531	87	#V-155-1A5 LIMIT SWITCH GUARD	1
73-791	91	#11007-05-002 CARBON OF MOTOR	2
73-792	92	#11007-05-003 CARBON COVER	2