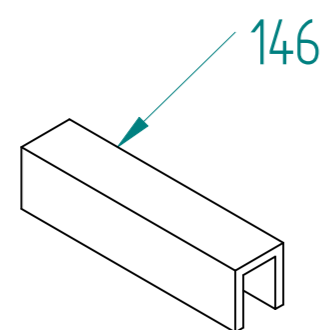
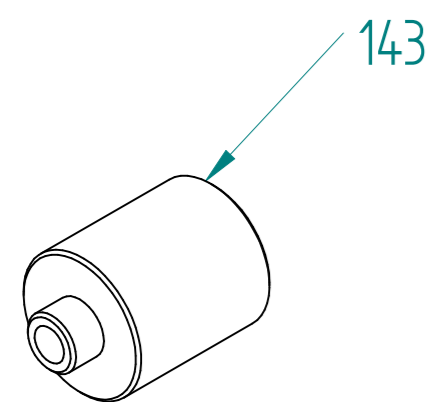
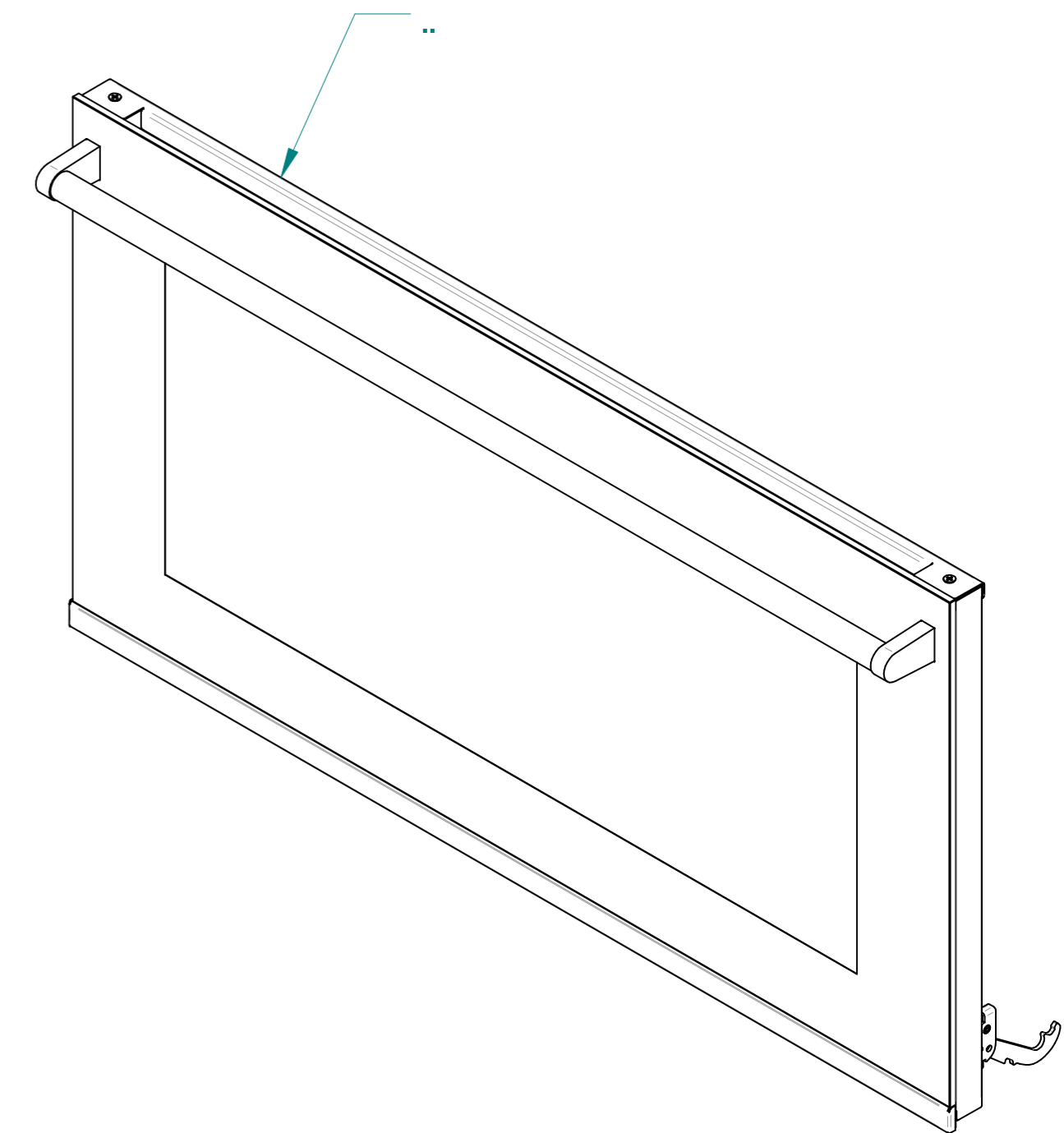
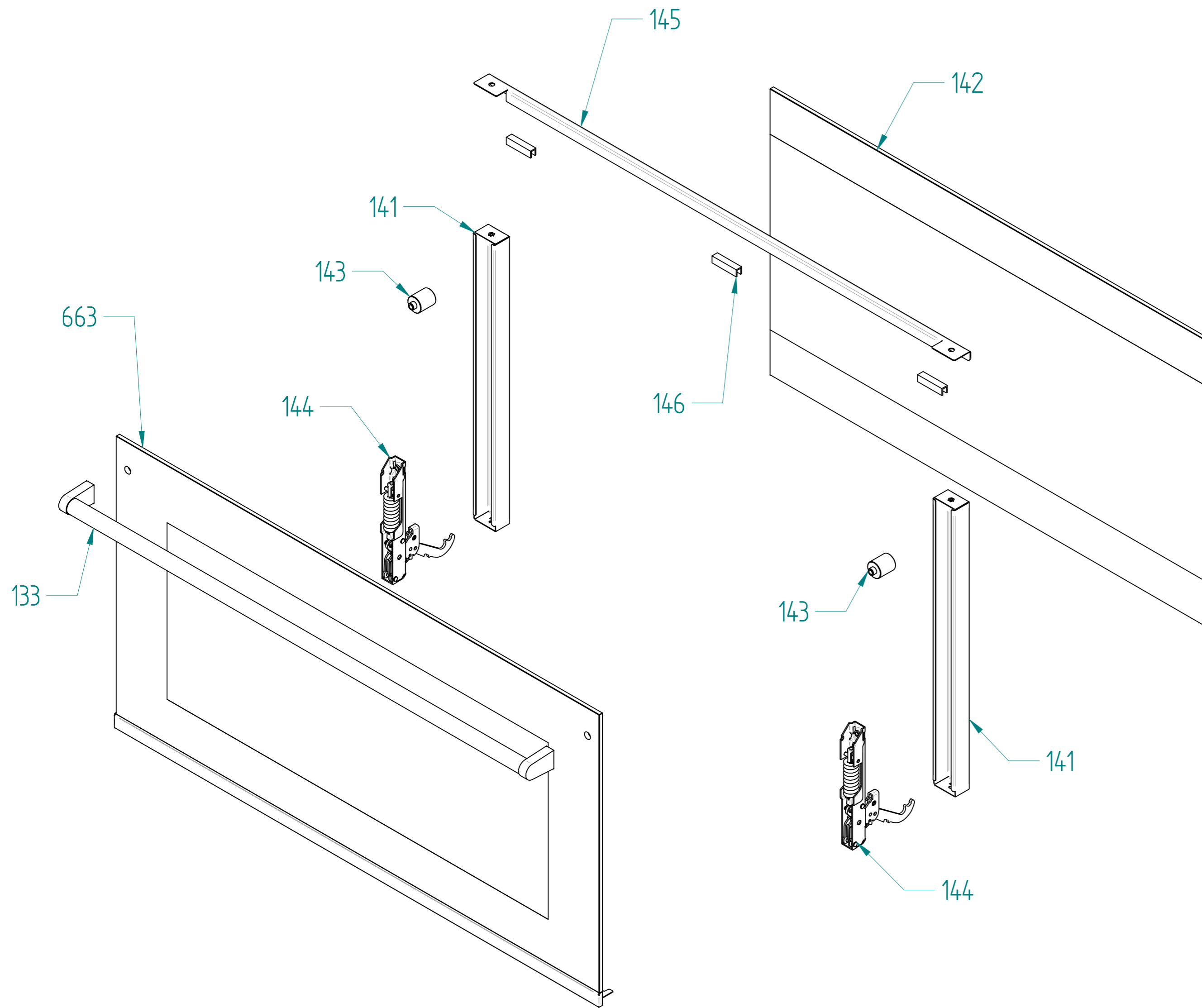
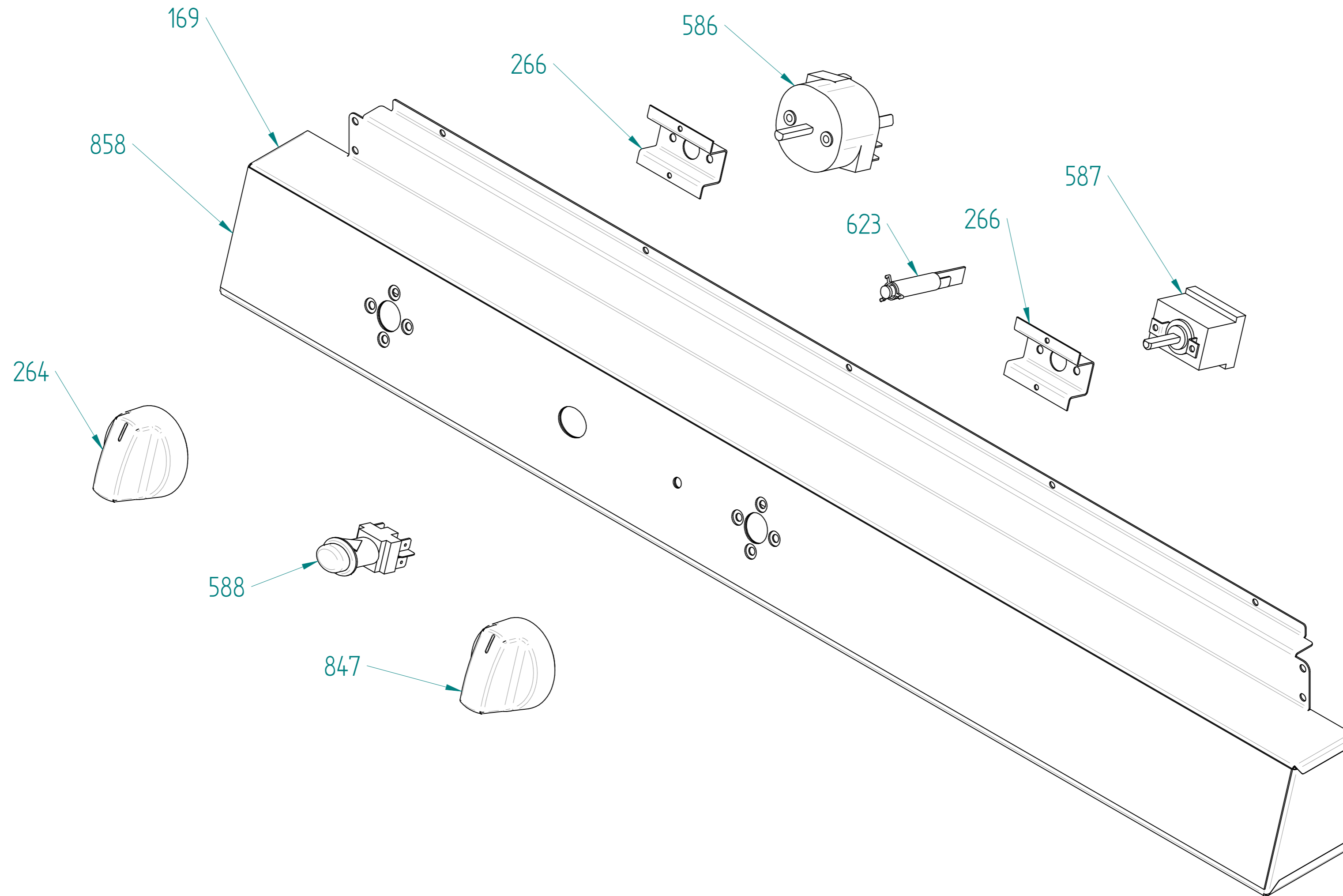


TITLE	Exploded view oven AX-824H UL	DESIGNER	m.brigo
DATE OF VALIDITY	from 16/04/2013 - to ...	OLD CODE	...



TITLE	Explosed view oven AX-824H UL	DESIGNER	m.brigo
DATE OF VALIDITY	from 16/04/2013 - to ...	OLD CODE	...



TITLE	Explosed view oven AX-824H UL	DESIGNER	m.brigo
DATE OF VALIDITY	from 16/04/2013 - to ...	OLD CODE	...



CONV. HUM.MEC.OVEN 4T.21"X15" UL AXIS

Exploded view	Part #	Description	Qty per unit
011	GUA30002	GASKET	2,08000
016	PIA30014	SUPPORT FOR SAFETY THERMOSTAT SENSOR	2,00000
022	FUS30001	FUSE	1,00000
023	PFU30001	FUSE SUPPORT	1,00000
060	PIA30062	THERMOSTAT SUPPORT	1,00000
071	RAC30003	90° CONNECTOR Ø8	2,00000
072	MOR30001	TERMINAL BLOCK	1,00000
073	MOT30009	AXIAL FAN 22W	1,00000
074	FIL30004	AIR FILTER	1,00000
078	TUB30028	PIPE Ø8	0,25000
079	DIS30003	FITTING SPACER	4,00000
086	TAP30013	PLASTIC CORNER	4,00000
089	VIT30042	DEFLECTOR SCREW M5	8,00000
090	VIT30055	SCREW FOR WASHING CAP	1,00000
091	VIT30001	SCREW FOR LATERAL TRAY SUPPORT	2,00000
133	MAG30015	DOOR HANDLE	1,00000
141	PR030088	DOOR VERTICAL PROFILE	2,00000
142	VET30081	INTERNAL GLASS	1,00000
143	PER30007	SPACER GLASS DOOR	2,00000
144	CER30003	DOOR HINGE	2,00000
145	PR030087	DOOR HORIZONTAL PROFILE 823/824	1,00000
146	GUA30004	DOOR GLASS GASKET	0,12000
147	CPR00005	EXTERNAL COVER	1,00000
148	FON30095	LOWER SIDE FOR FEET SUPPORT	1,00000
150	SCN00006	LOWER/REAR OF OVEN	1,00000
152	7424000002	HINGE BRACKET	2,00000
153	DAD30010	NUT FOR FEET	4,00000
169	CRU60103	CONTROL PANEL	1,00000
256	MOR30005	TERMINAL BLOCK 3 PIN	1,00000
264	MAN30019	M.NICH.SAT.B.GALVAN.IND.VER MOL SER.TIM.	1,00000
266	SUP30109	DIST.H13 X COMM.MULTIPL.X 8PZ FE ZN 8/10	2,00000
474	TEL30005	CONTACTOR	2,00000
586	PRG30009	LINEAR TIMER	1,00000
587	TER30014	THERMOSTAT UL	1,00000
588	PUL30007	PUSH BUTTON FOR HUMIDIFIER	1,00000
592	LAM00001	LAMP COMPLETE	2,00000
594	ELE30009	ELECTRIC VALVE - SINGLE	1,00000
606	PIE30005	ADJUSTABLE FOOT 100	4,00000
614	TER30013	UNI. THERMAL CUT OUT	1,00000
623	IND30006	ORANGE INDICATOR LIGHT	1,00000
628	MOT30018	FAN MOTOR	2,00000
663	VET02055	COMPLETE EXTERNAL GLASS 824	1,00000
664	POR02055	ASS. PORTA COMPL.824 VET30055 PROF.H 20	1,00000
673	SCN00033	HIGHER/REAR OF OVEN	1,00000

675	CPR00033	PROTECTION FOR CHIMNEY	1,00000
678	GRI30053	LATERAL GRID AISI304	2,00000
703	DEF30062	AIR DEFLECTOR	1,00000
743	PPC30004	CABLE GLAND M20x1,5 + NUT	1,00000
748	RES30011	HEATING ELEMENT 1800 WATT	2,00000
847	MAN30035	M.NIC.SAT.B.GALVA.IND.VER MOL SER.TER °F	1,00000
858	FR030280	FRONT. P824/823RU AXIS NO SERIGRAFIA	1,00000

Gestware