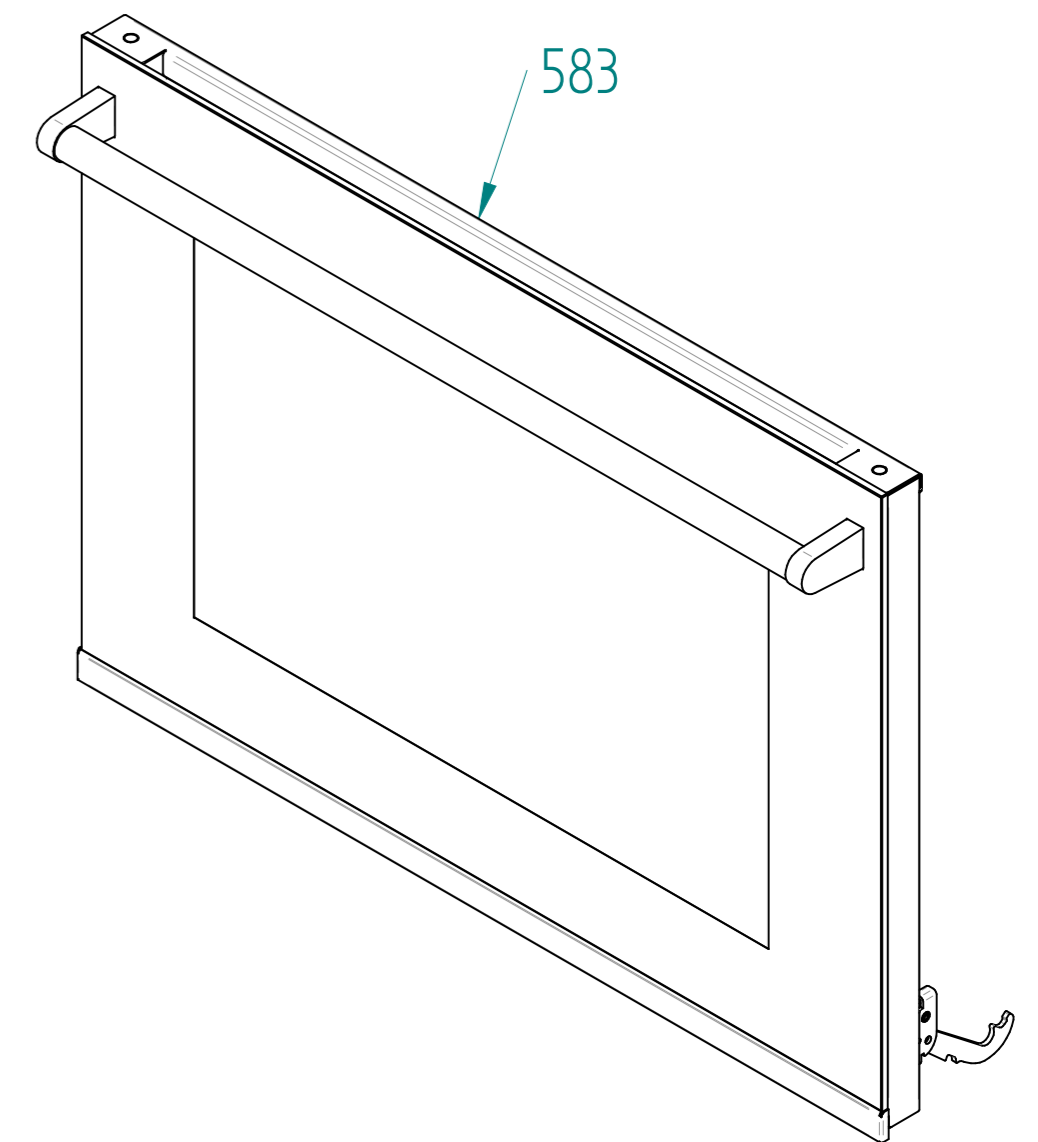
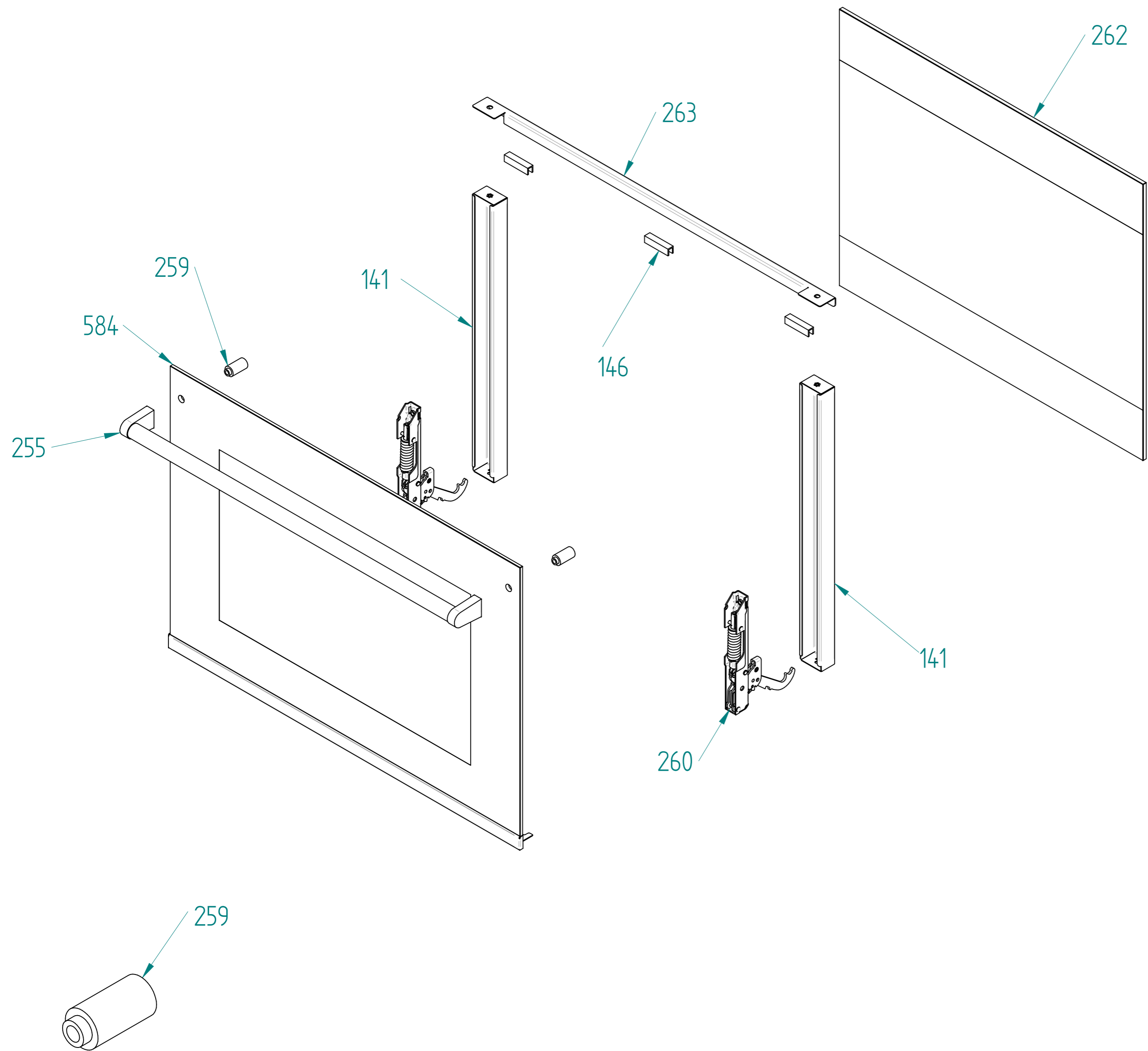
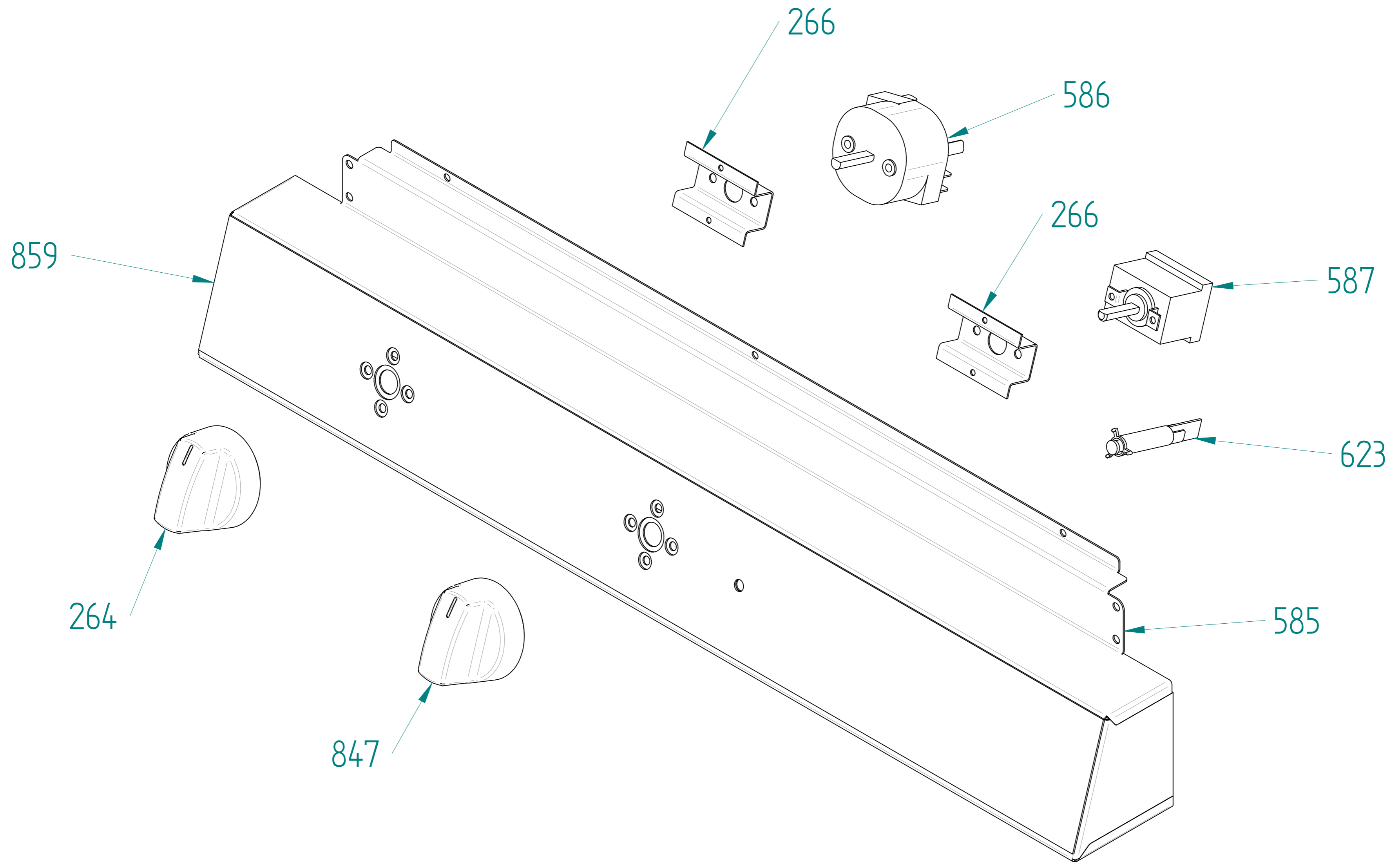


TITLE	Explosion view oven AX-514 UL	DESIGNER	Conte R.
DATE OF VALIDITY	from 17/04/2013 - to ...	OLD CODE	...



TITLE	Explos view oven AX-514 UL	DESIGNER	M.BRIGO
DATE OF VALIDITY	from 17/04/2013 - to ...	OLD CODE	...



TITLE	Explosion view oven AX-514 UL	DESIGNER	Conte R.
DATE OF VALIDITY	from 17/04/2013 - to ...	OLD CODE	...



CONV.OV. 4T. 18"x13" UL AXIS

Exploded view	Part #	Description	Qty per unit
011	GUA30002	GASKET	1,70000
016	PIA30014	SUPPORT FOR SAFETY THERMOSTAT SENSOR	2,00000
060	PIA30062	THERMOSTAT SUPPORT	1,00000
072	MOR30001	TERMINAL BLOCK	1,00000
086	TAP30013	PLASTIC CORNER	4,00000
089	VIT30042	DEFLECTOR SCREW M5	4,00000
091	VIT30001	SCREW FOR LATERAL TRAY SUPPORT	2,00000
134	PIE30004	ADJUSTABLE FOOT	4,00000
141	PR030088	DOOR VERTICAL PROFILE	2,00000
146	GUA30004	DOOR GLASS GASKET	0,12000
152	7424000002	HINGE BRACKET	2,00000
153	DAD30010	NUT FOR FEET	4,00000
255	MAG30014	HANDLE 560mm M5	1,00000
256	MOR30005	TERMINAL BLOCK 3 PIN	1,00000
259	DIS30009	SPACER GLASS DOOR	2,00000
260	7424000001	HINGE MOD 804 7KG	2,00000
262	VET30082	CRIST.INT. SP.6MM 524/523 6 TR TE B.E.	1,00000
263	PR030080	DOOR HORIZONTAL PROFILE	1,00000
264	MAN30019	M.NICH.SAT.B.GALVAN.IND.VER MOL SER.TIM.	1,00000
266	SUP30109	DIST.H13 X COMM.MULTIPL.X 8PZ FE ZN 8/10	2,00000
311	RES30003	HEATING ELEMENT 2500 WATT	1,00000
486	SUP30151	SUPPORT COOKING CHAMBER	2,00000
491	TUB30056	CHIMNEY FOR FUMES P600 SM	1,00000
563	SUP30160	OVEN SPACER	2,00000
583	POR02056	COMPLETE OVEN DOOR 524 UL	1,00000
584	VET02056	EXTERNAL GLASS WITH INOX PROFILES	1,00000
585	CRU60137	FRONTAL PANEL	1,00000
586	PRG30009	LINEAR TIMER	1,00000
587	TER30014	THERMOSTAT UL	1,00000
623	IND30006	ORANGE INDICATOR LIGHT	1,00000
628	MOT30018	FAN MOTOR	1,00000
631	SCN00030	HIGHER/REAR OF OVEN	1,00000
638	DEF30056	AIR DEFLECTOR 504 UL	1,00000
683	TER30015	THERMAL CUT OUT UL	1,00000
729	GRI30062	LATERAL TRAYS SUPPORT	1,00000
730	CPR00035	EXTERNAL COVER	1,00000
731	FON30123	LOWER SIDE FOR FEET SUPPORT	1,00000
742	GRI30063	LATERAL TRAYS SUPPORT	1,00000
743	PPC30004	CABLE GLAND M20x1,5 + NUT	1,00000
750	CAV30020	CAV SJTW 3X1 AWG DRY 105° 6-15P 240V	1,00000
847	MAN30035	M.NIC.SAT.B.GALVA.IND.VER MOL SER.TER °F	1,00000
859	FR030281	FRONT. P524,523 RU,504,503 AXIS NO SER.	1,00000