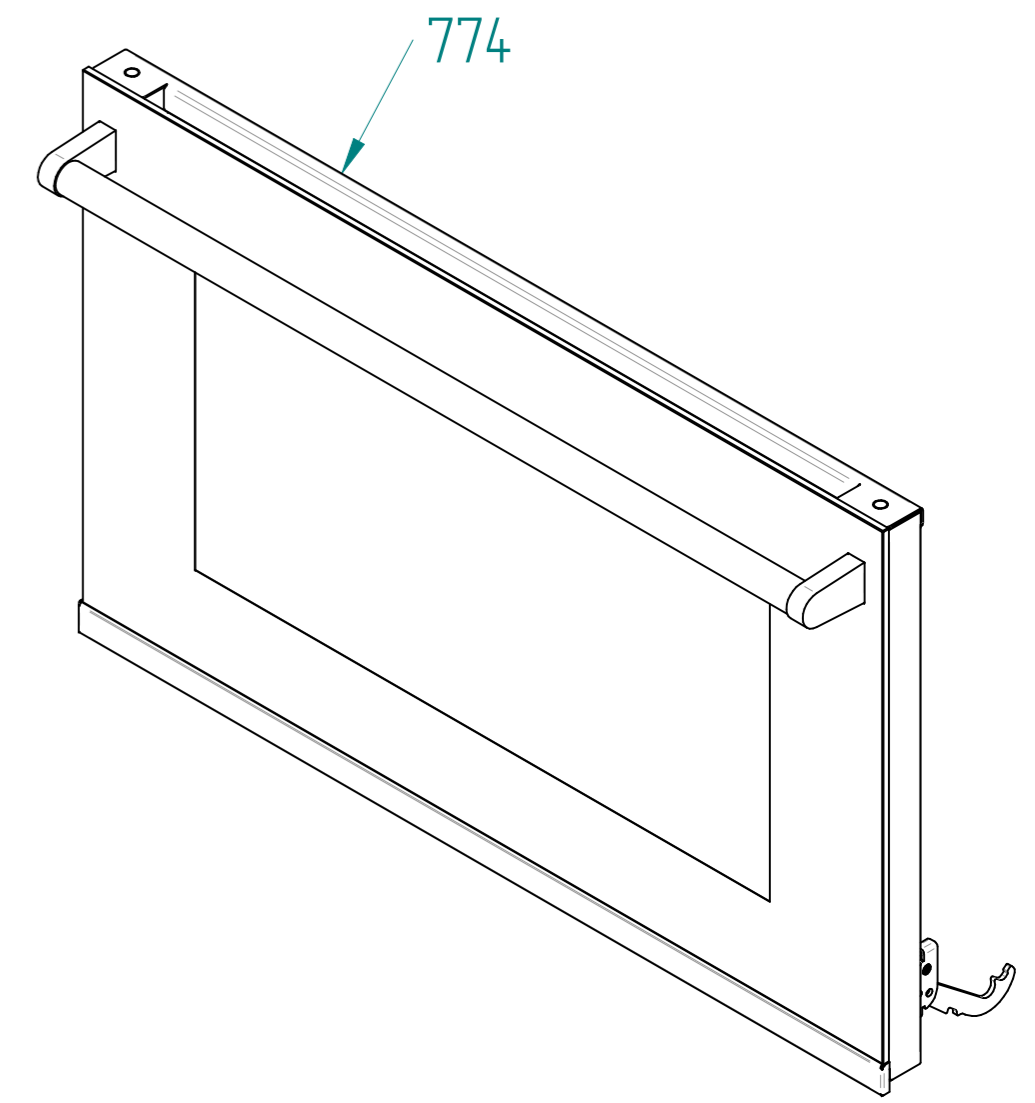
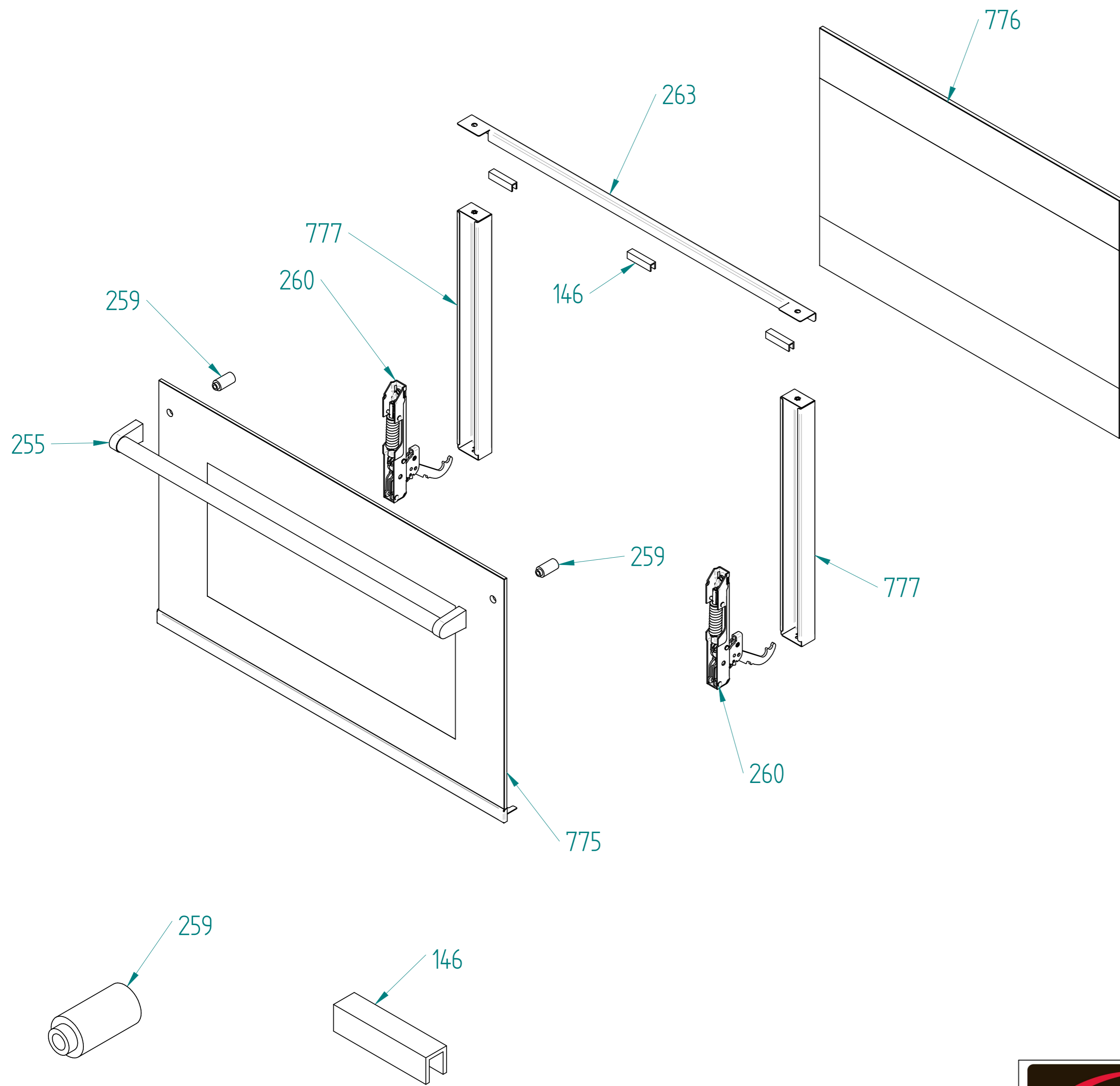
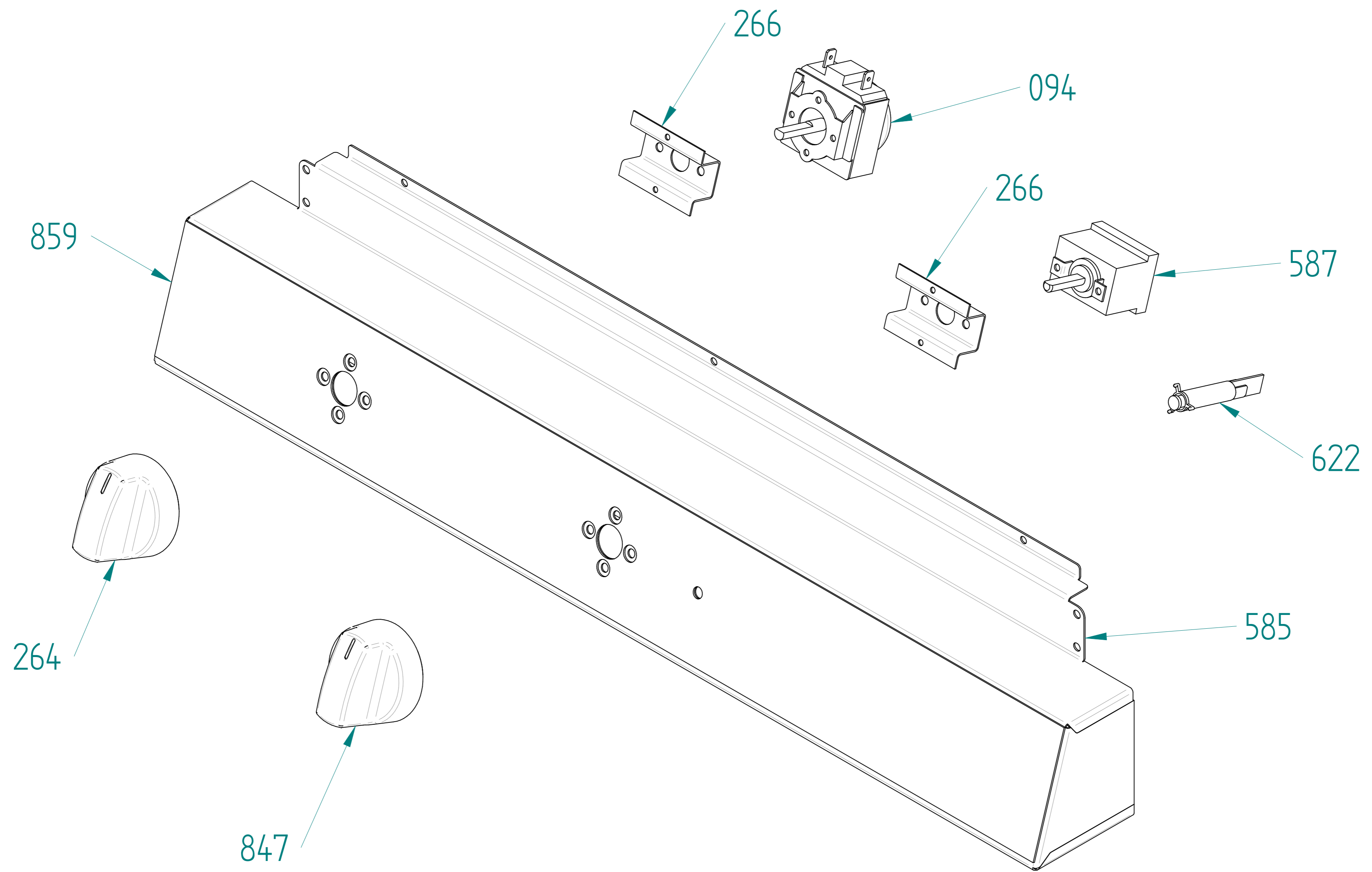


TITLE	Explosion view oven AX-513 UL	DESIGNER	Conte R.
DATE OF VALIDITY	from 17/04/2013 - to ...	OLD CODE	...



TITLE	Explosed view oven AX-513 UL	DESIGNER	Conte R.
DATE OF VALIDITY	from 17/04/2013 - to ...	OLD CODE	...



TITLE	Explosion view oven AX-513 UL	DESIGNER	Conte R.
DATE OF VALIDITY	from 17/04/2013 - to ...	OLD CODE	...



CONV.OV. 3T. 18"X13" UL AXIS

Exploded view	Parts #	Description	Qty per unit
011	GUA30002	GASKET	1,52000
016	PIA30014	SUPPORT FOR SAFETY THERMOSTAT SENSOR	2,00000
060	PIA30062	THERMOSTAT SUPPORT	1,00000
072	MOR30001	TERMINAL BLOCK	1,00000
086	TAP30013	PLASTIC CORNER	4,00000
089	VIT30042	DEFLECTOR SCREW M5	4,00000
091	VIT30001	SCREW FOR LATERAL TRAY SUPPORT	2,00000
134	PIE30004	ADJUSTABLE FOOT	4,00000
146	GUA30004	DOOR GLASS GASKET	0,12000
152	7424000002	HINGE BRACKET	2,00000
153	DAD30010	NUT FOR FEET	4,00000
255	MAG30014	HANDLE 560mm M5	1,00000
256	MOR30005	TERMINAL BLOCK 3 PIN	1,00000
259	DIS30009	SPACER GLASS DOOR	2,00000
263	PRO30080	DOOR HORIZONTAL PROFILE	1,00000
264	MAN30019	M.NICH.SAT.B.GALVAN.IND.VER MOL SER.TIM.	1,00000
266	SUP30109	DIST.H13 X COMM.MULTIPL.X 8PZ FE ZN 8/10	2,00000
319	7424000003	DOOR HINGE	2,00000
486	SUP30151	SUPPORT COOKING CHAMBER	2,00000
491	TUB30056	CHIMNEY FOR FUMES P600 SM	1,00000
563	SUP30160	OVEN SPACER	2,00000
585	CRU60137	FRONTAL PANEL	1,00000
586	PRG30009	LINEAR TIMER	1,00000
587	TER30014	THERMOSTAT UL	1,00000
596	CAV30018	CAV SJTO 3X1 AWG DRY 105° 5-15P 120V	1,00000
610	RES30018	HEATING ELEMENT 3000 WATT	1,00000
614	TER30013	UNI. THERMAL CUT OUT	1,00000
622	IND30007	ORANGE INDICATOR LIGHT 110V	1,00000
629	MOT30019	FAN MOTOR	1,00000
654	DEF30057	DEFLETTORE ARIA 503 430 LUC.BA UL	1,00000
724	GRI30060	LATERAL TRAYS SUPPORT	1,00000
725	GRI30061	LATERAL TRAYS SUPPORT	1,00000
731	FON30123	LOWER SIDE FOR FEET SUPPORT	1,00000
743	PPC30004	CABLE GLAND M20x1,5 + NUT	1,00000
774	POR02105	COMPLETE OVEN DOOR 503-523 UL	1,00000
775	VET02105	EXTERNAL GLASS 503-523 INOX PROFILES	1,00000
776	VET30106	INTERNAL GLASS 503-523 THERMOSTOP	1,00000
777	PRO30187	DOOR 503-523 VERTICAL PROFILE	2,00000
778	CPR00038	EXTERNAL COVER 503 UL	1,00000
779	SCN00041	HIGHER BACK OF OVEN 503 UL	1,00000
847	MAN30035	M.NIC.SAT.B.GALVA.IND.VER MOL SER.TER °F	1,00000
859	FR030281	FRONT. P524,523 RU,504,503 AXIS NO SER.	1,00000