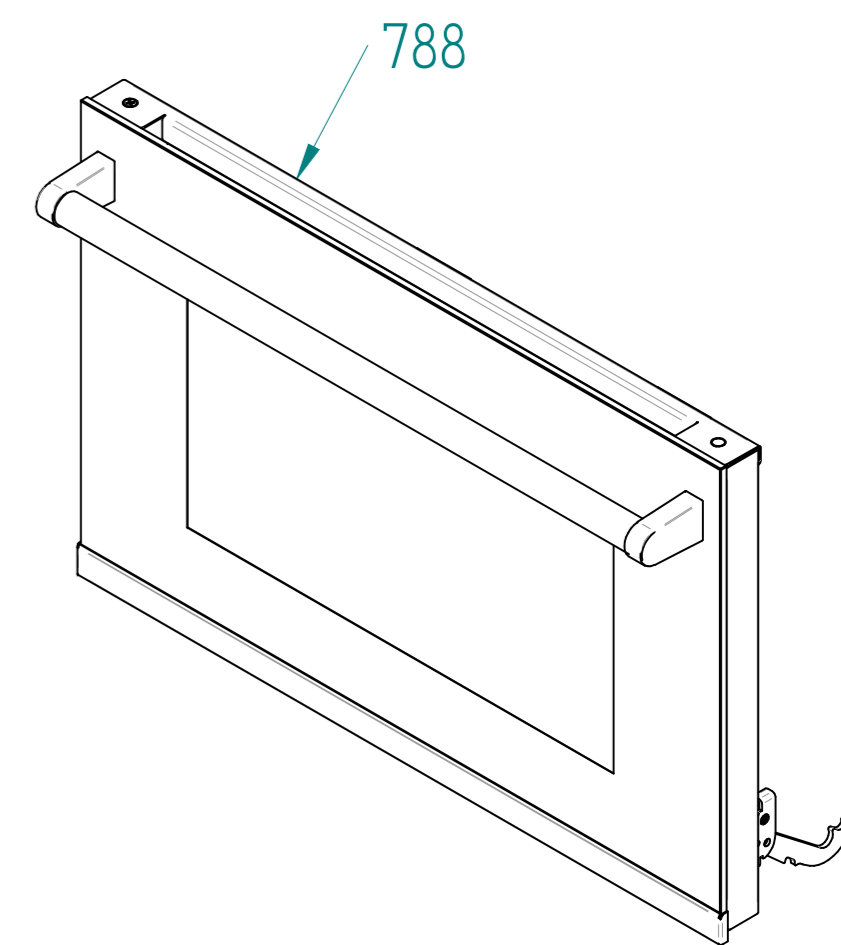
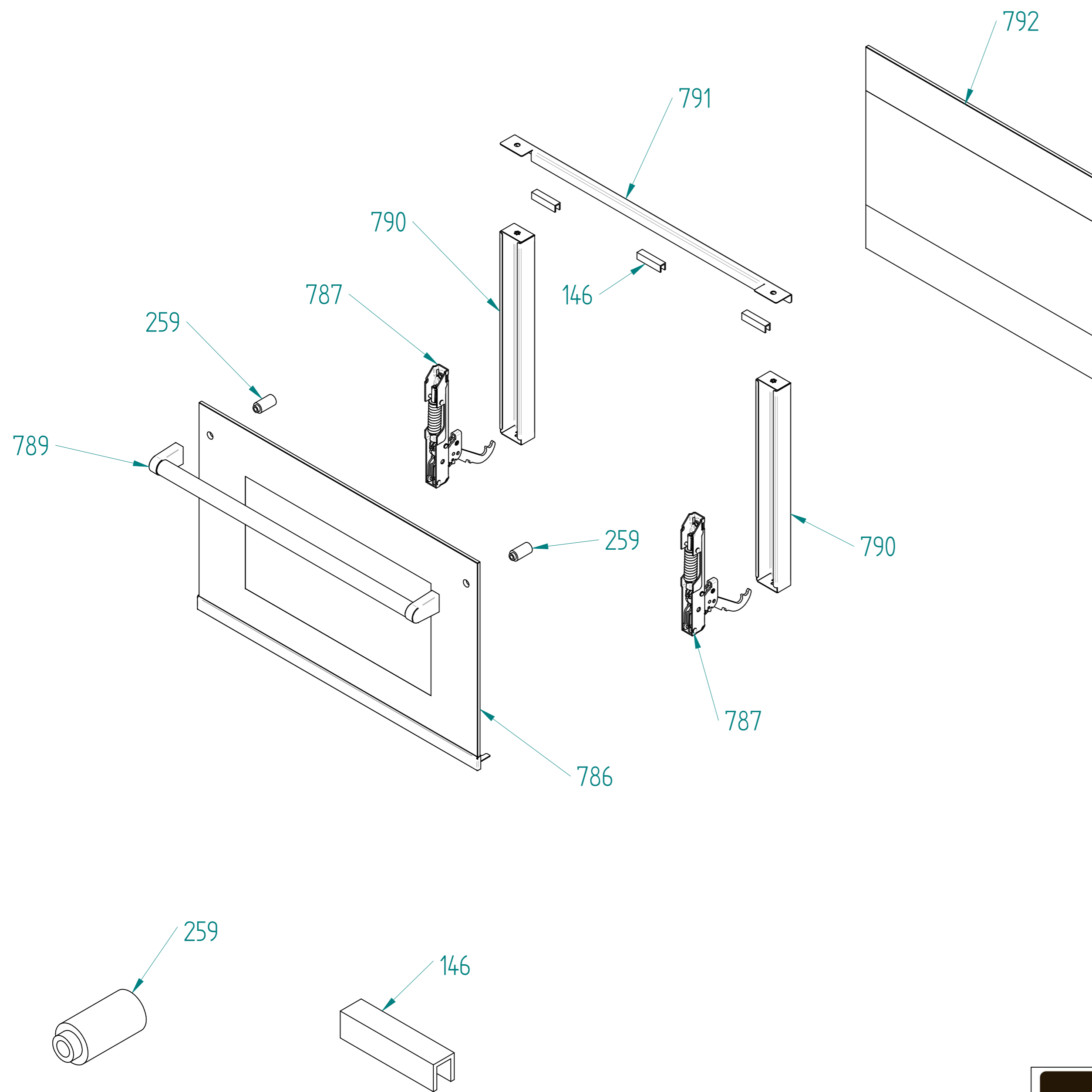
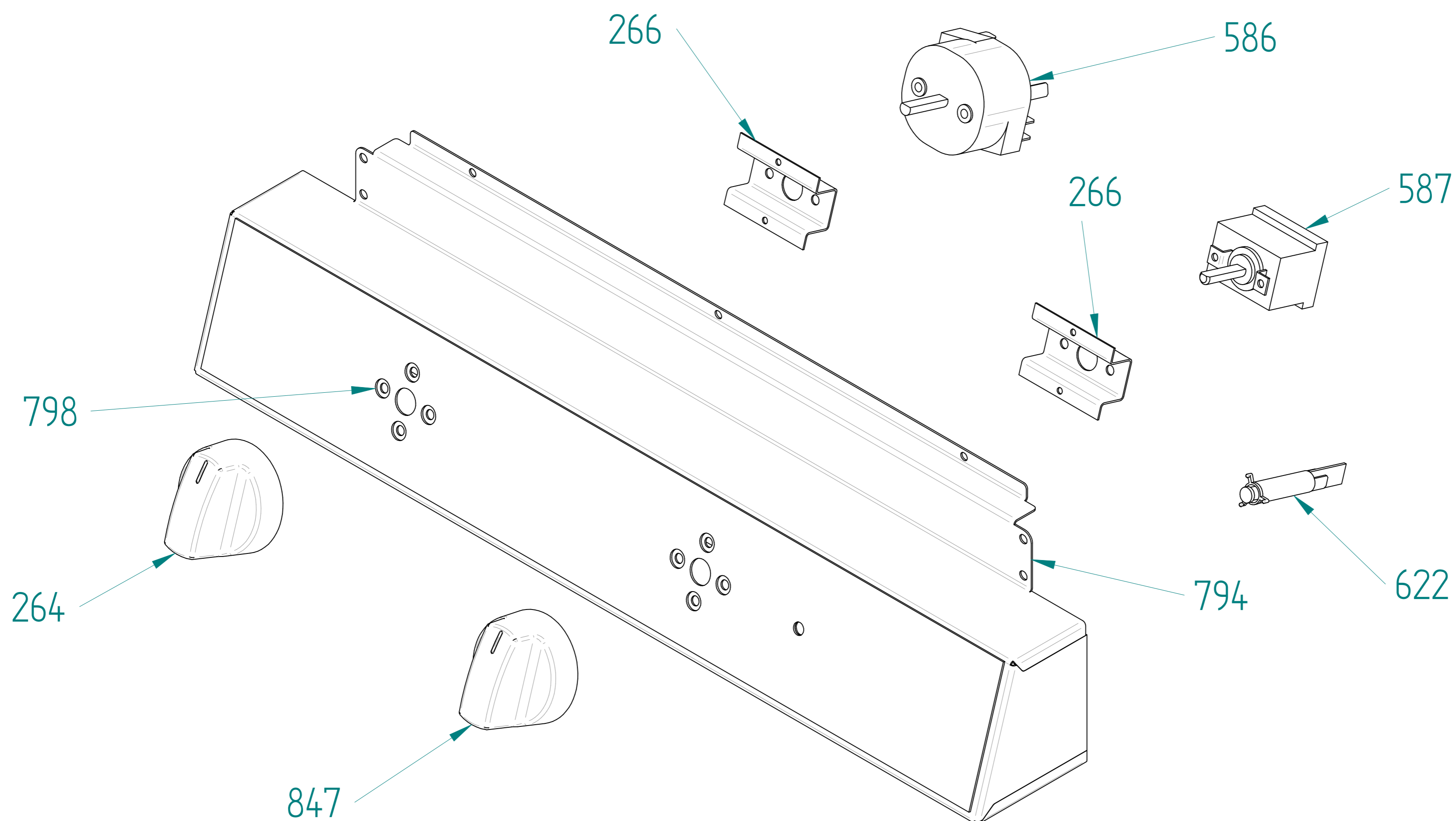


TITLE	Explosion view oven AX-413 UL	DESIGNER	Conte R.
DATE OF VALIDITY	from 16/05/2013 - to ...	OLD CODE	...



TITLE	Explosion view oven AX-413 UL	DESIGNER	Conte R.
DATE OF VALIDITY	from 16/05/2013 - to ...	OLD CODE	...



TITLE	Explosed view oven AX-413 UL	DESIGNER	Conte R.
DATE OF VALIDITY	from 16/05/2013 - to ...	OLD CODE	...



OVEN 3TRAYS PIRON

Exploded view	Parts #	Description	Qty per unit
011	GUA30002	GASKET	1,18000
016	PIA30014	SUPPORT FOR SAFETY THERMOSTAT SENSOR	2,00000
072	MOR30001	TERMINAL BLOCK	1,00000
086	TAP30013	PLASTIC CORNER	4,00000
091	VIT30001	SCREW FOR LATERAL TRAY SUPPORT	2,00000
134	PIE30004	ADJUSTABLE FOOT	4,00000
146	GUA30004	DOOR GLASS GASKET	0,12000
152	7424000002	HINGE BRACKET	2,00000
153	DAD30010	NUT FOR FEET	4,00000
256	MOR30005	TERMINAL BLOCK 3 PIN	1,00000
259	DIS30009	SPACER GLASS DOOR	2,00000
264	MAN30019	M.NICH.SAT.B.GALVAN.IND.VER MOL SER.TIM.	1,00000
266	SUP30109	DIST.H13 X COMM.MULTIPL.X 8PZ FE ZN 8/10	2,00000
486	SUP30151	SUPPORT COOKING CHAMBER	2,00000
491	TUB30056	CHIMNEY FOR FUMES P600 SM	1,00000
563	SUP30160	OVEN SPACER	2,00000
586	PRG30009	LINEAR TIMER	1,00000
587	TER30014	THERMOSTAT UL	1,00000
596	CAV30018	CAV SJTO 3X1 AWG DRY 105° 5-15P 120V	1,00000
610	RES30018	HEATING ELEMENT 3000 WATT	1,00000
614	TER30013	UNI. THERMAL CUT OUT	1,00000
622	IND30007	ORANGE INDICATOR LIGHT 110V	1,00000
629	MOT30019	FAN MOTOR	1,00000
743	PPC30004	CABLE GLAND M20x1,5 + NUT	1,00000
786	VET02107	EXTERNAL GLASS WITH INOX PROFILES	1,00000
787	7424000004	HINGE MOD. 603 4,4 KG	2,00000
788	POR02107	COMPLETE OVEN DOOR 524 UL	1,00000
789	MAG30026	HANDLE 560mm M5	1,00000
790	PR030190	DOOR VERTICAL PROFILE	2,00000
791	PR030191	DOOR HORIZONTAL PROFILE	1,00000
792	VET30108	CRIST.INT. SP.5MM 403	1,00000
794	CRU60146	FRONTAL PANEL	1,00000
795	CPR00040	EXTERNAL COVER	1,00000
796	FON30127	LOWER SIDE FOR FEET SUPPORT	1,00000
797	DEF30064	AIR DEFLECTOR 403 UL	1,00000
798	FR030279	FRONT. P403 AXIS	1,00000
799	GRI30067	LATERAL TRAYS SUPPORT	1,00000
802	GRI30068	LATERAL TRAYS SUPPORT	1,00000
847	MAN30035	M.NIC.SAT.B.GALVA.IND.VER MOL SER.TER °F	1,00000
887	SCN00043	HIGHER/REAR OF OVEN	1,00000