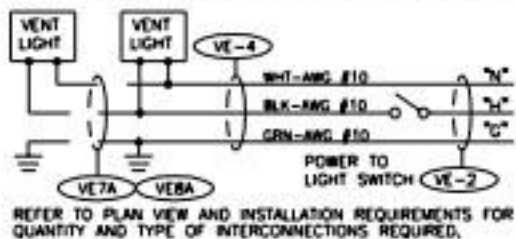
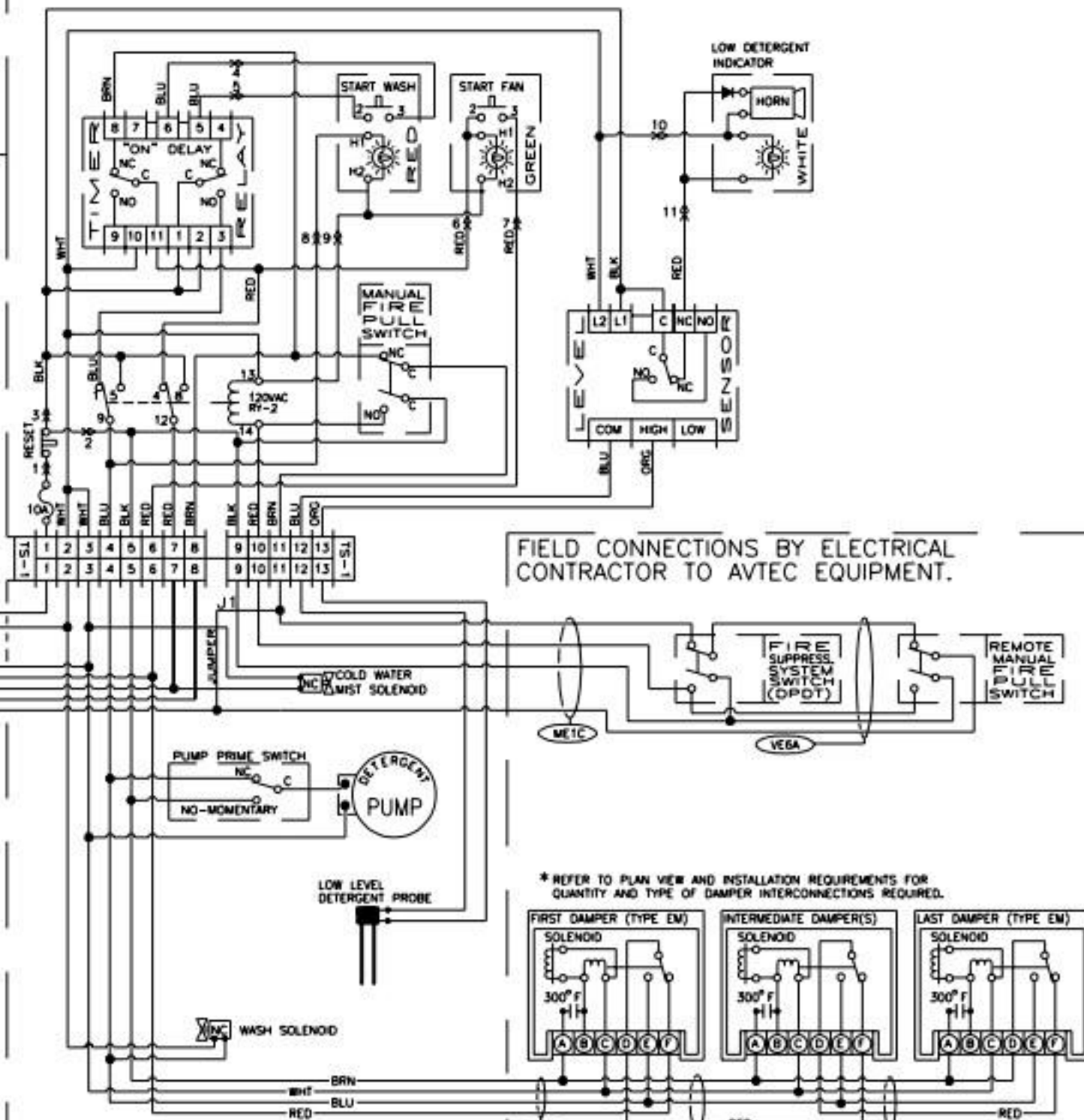


VENTILATOR LIGHT WIRING



AVTEC VENT PANEL

ALL INTERNAL CONTROL WIRING IS 16 GA. AWG, 105 °C.



FIELD CONNECTIONS BY ELECTRICAL CONTRACTOR TO AVTEC EQUIPMENT.

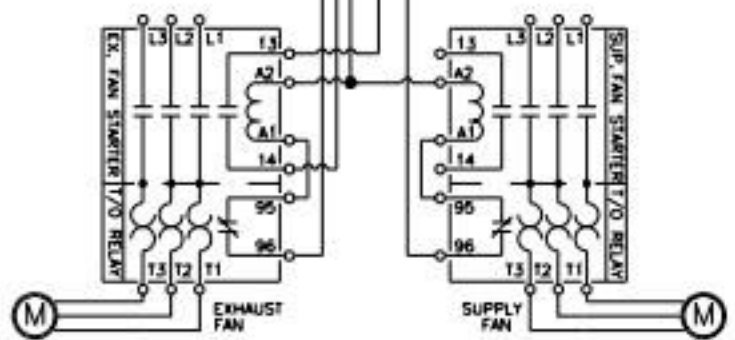
* REFER TO PLAN VIEW AND INSTALLATION REQUIREMENTS FOR QUANTITY AND TYPE OF DAMPER INTERCONNECTIONS REQUIRED.

FIELD CONNECTIONS BY ELECTRICAL CONTRACTOR

POWER SUPPLY
 L1 VE-1 120VAC, 15 AMP (INPUT)
 L2

ELECTRICIAN NOTE:
 JUMPER "J1" SHOWN FROM TERMINAL 11 MUST BE INSTALLED IF THE PANEL IS NOT INTERWIRED TO THE FIRE SUPPRESSION SYSTEM SWITCH. WHEN THE PANEL IS INTERCONNECTED TO THE FIRE SUPPRESSION SYSTEM SWITCH DO NOT INSTALL JUMPER "J1".

VE-3 FAN STARTER CONTROL WIRING (120 VAC OUTPUT)



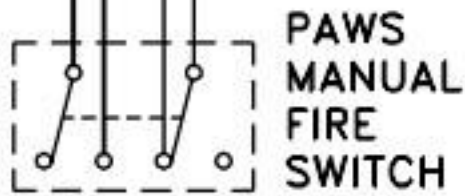
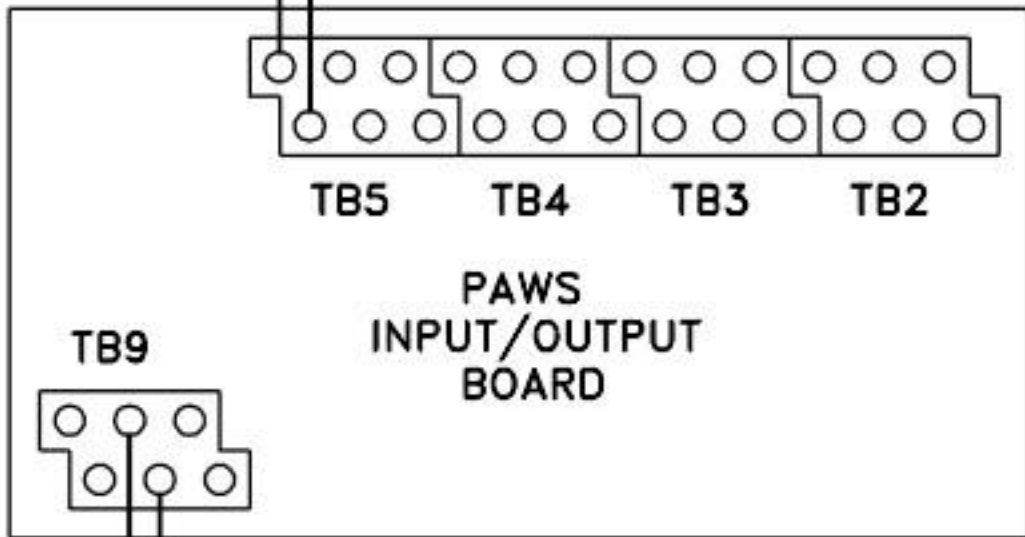
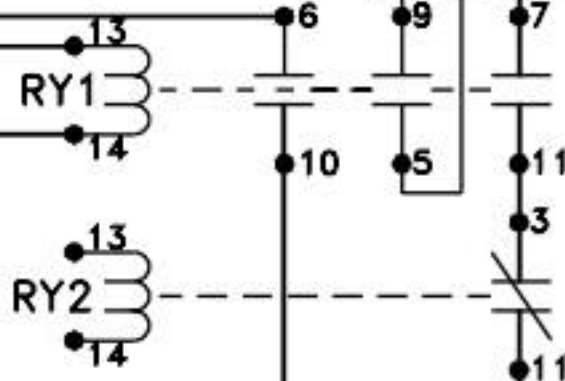
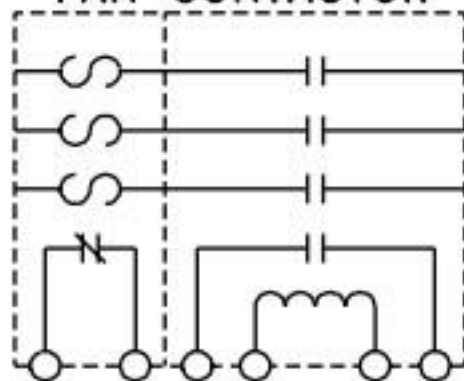
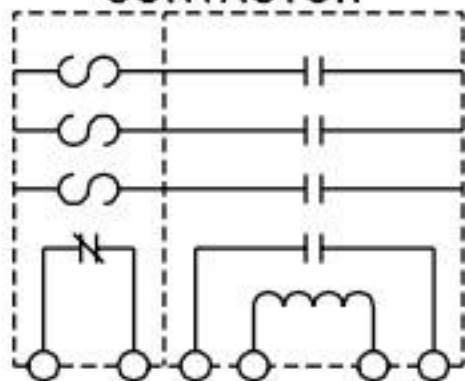
PRE-WIRED CONNECTIONS BY AVTEC.

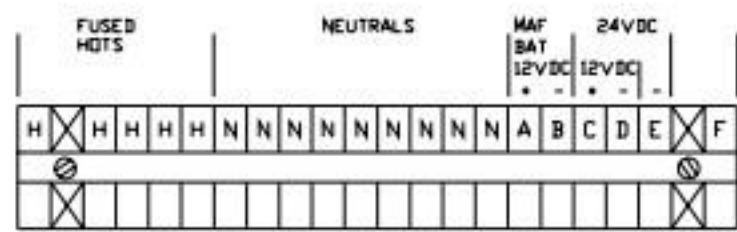
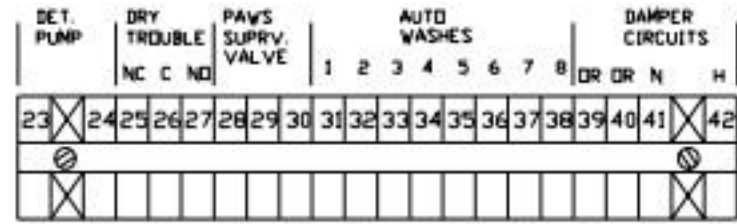
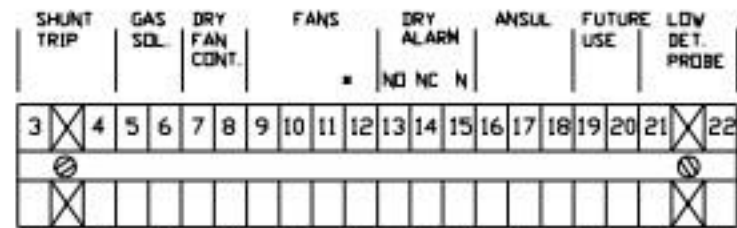
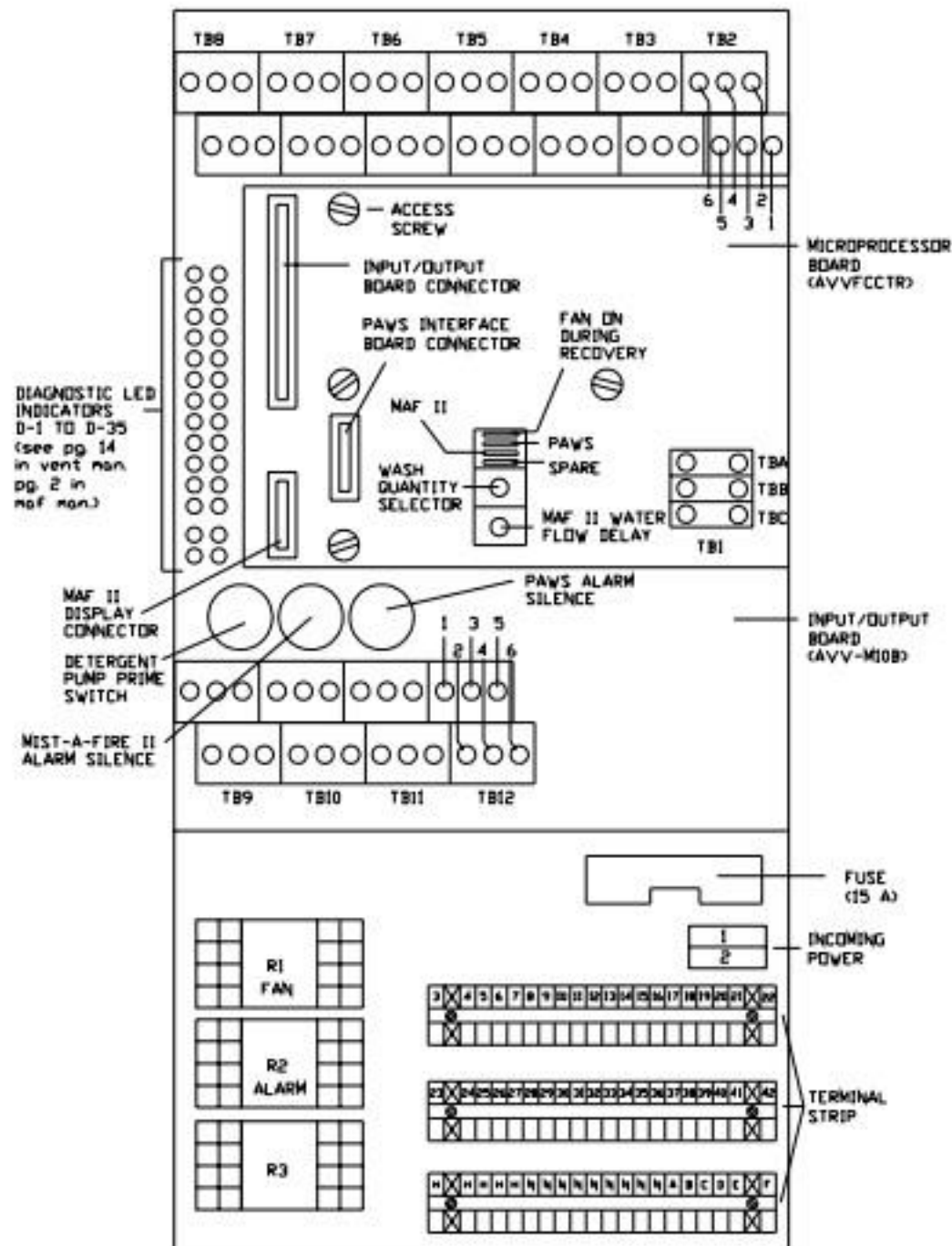
VE-5, VE7B, VE8B

EXHAUST FAN CONTACTOR

MAKE-UP AIR FAN CONTACTOR

FIELD CONNECTIONS BY ELECTRICAL CONTRACTOR





* NOTE: Remote cold water mist solenoid connected to terminals 11 & 12

DATE	SCALE	TITLE	
10-28-93	N/A	PAWS INPUT/OUTPUT AND MICROPROCESSOR BOARD COMPONENT LAYOUT	
DWG. NO.			
VTMFG19			
DRAWN BY		MODEL NO.	Figure No.
T. FLESCHE		M20*, P***	19