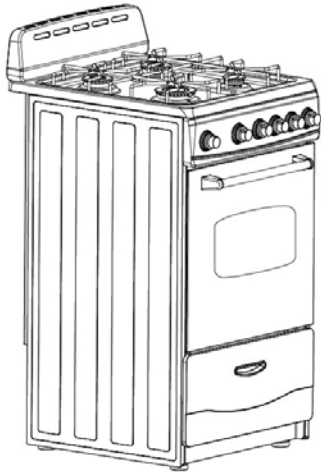
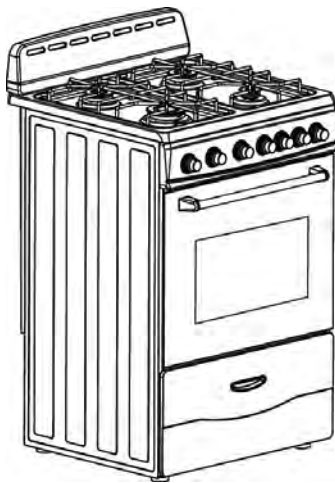





**INSTRUCTION MANUAL
MANUAL DE INSTRUCCIONES
MANUEL D'INSTRUCTIONS**

	20" WIDE	24" WIDE
Model Numbers / Nos. de Modelos:	GR2011CW	GR2414CW
Nos de Modèle	GR2012CB	GR2415CB
	GR2013CSS	GR2416CSS

GAS RANGE / COCINA DE GAS / FOURNEAU À GAZ

		
Models: GR2011CW / GR2012CB GR2013CSS	Models: GR2414CW / GR2415CB	Model: GR2416CSS

BEFORE USE, PLEASE READ AND FOLLOW ALL SAFETY RULES AND OPERATING INSTRUCTIONS. AND SAVE FOR LOCAL GAS AND ELECTRICAL INSPECTOR'S USE.

Avanti Products has a policy of continuous improvement on its products and reserves the right to change materials and specifications without notice.

**Avanti Products LLC
P.O. Box 520604 - Miami, Florida 33152
www.avantiproducts.com**

TABLE OF CONTENTS

Range Safety	3
Important Safe guides	4
The Anti-tip Bracket	5
Help Us Help You ...	6
Parts and Features	7 - 9
Before Using Your Gas Range	10
Important Precautions and Recommendations	11 - 14
How to use the top burners	15 - 16
How to use the Gas oven	16 - 19
Oven light	20
Care and Maintenance	21 - 24
Troubleshooting Guide	25 - 26
Wiring Diagram	26
Service for Your Appliance	26
Your Avanti Products Warranty	27
Instrucciones en Español	28 - 50
Instructions en Français	51 - 78
Registration Information and Registration Card	Last Page

RANGE SAFETY

Your safety and the safety of others are very important.

We have provided many important safety messages in this manual and on your appliance. Always read and obey all safety messages.



This is the Safety Alert Symbol.

This symbol alerts you to potential hazards that can kill or injure you and others. All safety messages will follow the Safety Alert Symbol and either the words “DANGER”, “WARNING” or “CAUTION”. These words mean:



Danger means that failure to heed this safety statement may result in severe personal injury or death.



Warning means that failure to heed this safety statement may result in extensive product damage, serious personal injury, or death.



Caution means that failure to heed this safety statement may result in minor or moderate personal injury, or property or equipment damage.

All safety messages will alert you what the potential hazard is, tell you how to reduce the chance of injury, and let you know what can happen if the instructions are not followed.

IN THE COMMONWEALTH OF MASSACHUSETTS

- This product must be installed by a licensed plumber or gas fitter.
- When using ball-type gas shut-off valves, they shall be the T-handle type.
- A flexible gas connector, when used, must not exceed 3 feet in length.

BEFORE YOU BEGIN!

Installation of this range must conform with all local codes, or in the absence of local codes, with the National Fuel Gas Code, ANSI Z223.1 / NFPA.54, latest edition.

In Canada, installation code, CAN/CGA-B149.1 or the current Propane installation code, CAN/CGA-B149.2, and with local codes where applicable.

BEFORE INSTALLATION

DO NOT use an air curtain or other overhead range hood, which operates by blowing a downward airflow onto a range, in conjunction with a gas range unless the hood and range have been designed and tested and listed by an independent laboratory in accordance with the Standard for Domestic Gas Ranges, ANSI Z21.1 • CSA 1.1 for combination use. The installation instructions for both the gas range and air curtain range hood shall include statements that the air curtain or overhead range hood is permitted to be used in conjunction with a gas range, and that both unit have been designed and tested in accordance with the Standard for Domestic Gas Ranges, ANSI Z21.1 • CSA 1.1 for combination use. Purchaser / Installer should review the installation instructions for each unit to ensure their range is acceptable for use with such ventilation system.

Installation in Manufactured (Mobile) Homes:

The installation must conform with the Manufactured Home Construction and Safety standard, Title 24 CFR, Part 3280 [formerly the Federal Standard for Mobile Home Construction and Safety, Title 24, HUD (Part 280)] or, when such standard is not applicable, the Standard for Manufactured Home Installations, ANSI/NCSBCS A225.1, or with local codes where applicable.

IMPORTANT SAFE GUIDES



Before the appliance is used, it must be properly positioned and installed as described in this manual, so read the manual carefully. To reduce the risk of fire, electrical shock or injury when using the appliance, follow basic precaution, including the following:

DANGER

-
- It is recommended that a separate circuit, serving only your appliance be provided. Use receptacles that cannot be turned off by a switch or pull chain.
- Never clean appliance parts with flammable fluids. These fumes can create a fire hazard or explosion. And do not store or use gasoline or other flammable vapors and liquids in the vicinity of this or any other appliance. The fumes can create a fire hazard or explosion.
- Before proceeding with cleaning and maintenance operations, make sure the power line of the unit is disconnected.
- Unplug the appliance or disconnect power before cleaning or servicing. Failure to do so can result in electrical shock or death.
- Do not attempt to repair or replace any part of your appliance unless it is specifically recommended in this manual. All other servicing should be referred to a qualified technician.

WARNING



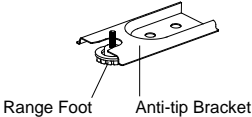
WARNING: If the information in this manual is not followed exactly, a fire or explosion may result causing property damage, personal injury or death.

- This appliance shall not be used for space heating. The surface unit should not be operated without cookware. This information is based on safety considerations.
- All openings in the wall behind the appliance and in the floor under the appliance shall be sealed.
- Keep appliance area clear and free from combustible materials, gasoline, and other flammable vapors.
- Do not obstruct the flow of ventilation air.
- Disconnect the electrical supply to the appliance before servicing.
- When removing appliance for cleaning and/or service:
 - Disconnect AC power supply.
 - Carefully remove the range by pulling outward.
- **CAUTION:** Range is heavy. Use care in handling.
- The misuse of oven door (e.g. stepping, sitting, or leaning on them) can result in potential hazards and /or injuries.
- When installing or removing the range for service, a rolling life jack should be used. Do not push against any of the edges of the range in an attempt to slide it into or out of the installation. Pushing or pulling a range (rather than using a lift jack) also increases the possibility of bending the leg spindles or the internal coupling connectors.
- It is important for the appliance to be leveled in order to work properly. You may need to make several adjustments to level it.
- Never allow children to operate, play with or crawl inside the appliance.
- Electrical Grounding Instructions - The appliance must be installed and grounded by a qualified technician in accordance with the National Electrical Code ANSI/NFPA No. 70 (Latest Edition) and local electrical code requirements.
- Replacement Parts – Only authorized replacement parts may be used in performing service on the range. Replacement parts are available from factory authorized parts distributors. Contact the nearest Avanti service center in your area.

THE ANTI-TIP BRACKET

The range will not tip during normal use. However, the range can tip if you apply too much force or weight to the open door without the anti-tip bracket fastened down properly.

To reduce the risk of tipping the appliance, the appliance must be secured by properly installed anti-tip devices packed with the appliance.

	 <h1>WARNING</h1>
 <p>Range Foot Anti-tip Bracket</p>	<ul style="list-style-type: none">• ALL RANGES CAN TIP• INJURY TO PERSON COULD RESULT• INSTALL ANTI-TIP DEVICE PACKED WITH RANGE• SEE INSTALLATION INSTRUCTIONS <p>Making sure the anti-tip bracket is installed:</p> <ul style="list-style-type: none">• Slide range forward.• Look for the anti-tip bracket securely attached to floor.• Slide range back so rear range foot is under anti-tip bracket.

WARNING: IF THE INFORMATION IN THIS MANUAL IS NOT FOLLOWED EXACTLY, A FIRE OR EXPLOSION MAY RESULT CAUSING PROPERTY DAMAGE, PERSONAL INJURY, OR DEATH.

- ✓ Do not store or use gasoline or other flammable vapors and liquids in the vicinity of this or any other appliance.
- ✓ **WHAT TO DO IF YOU SMELL GAS:**
 - Do not try to light any appliance.
 - Do not touch any electrical switch; do not use any phone in your building.
 - Immediately call your gas supplier from a neighbor's phone. Follow the gas supplier's instructions.
 - If you cannot reach your gas supplier, call the fire department.
- ✓ Installation and service must be performed by a qualified installer, service agency, or the gas supplier.

HELP US HELP YOU...

Read this guide carefully.

It is intended to help you operate and maintain your new Gas Range properly.

Keep it handy to answer your questions. If you don't understand something or you need more assistance, please call:

**Avanti Customer Service
800-220-5570**

Keep proof of original purchase date (such as your sales slip) with this guide to establish the warranty period.

Write down the model and serial numbers.

You'll find them on a plate located on the front bottom wall of the Gas Range.

Please write these numbers here:

Date of Purchase

Model Number

Serial Number

Use these numbers in any correspondence or service calls concerning your Gas Range.

If you received a damaged Gas Range, immediately contact the dealer (or builder) that sold you the Gas Range.

Save time and money. Before you call for service, check the Troubleshooting Guide. It lists causes of minor operating problems that you can correct yourself.

IF YOU NEED SERVICE

We're proud of our service and want you to be pleased. If for some reason you are not happy with the service you receive, here are some steps to follow for further assistance.

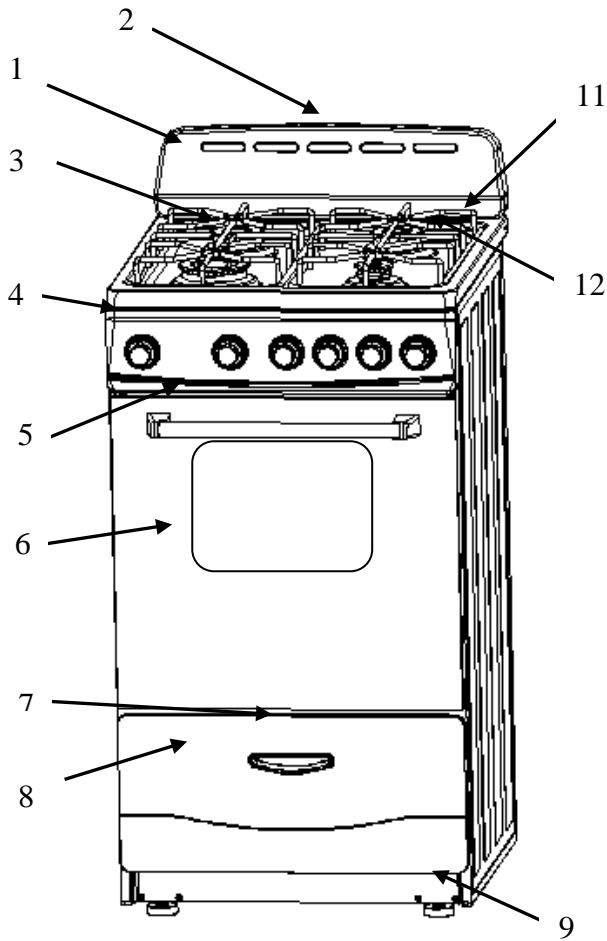
FIRST, contact the people who serviced your Gas Range. Explain why you are not pleased. In most cases, this will solve the problem.

NEXT, if you are still not pleased, write all the

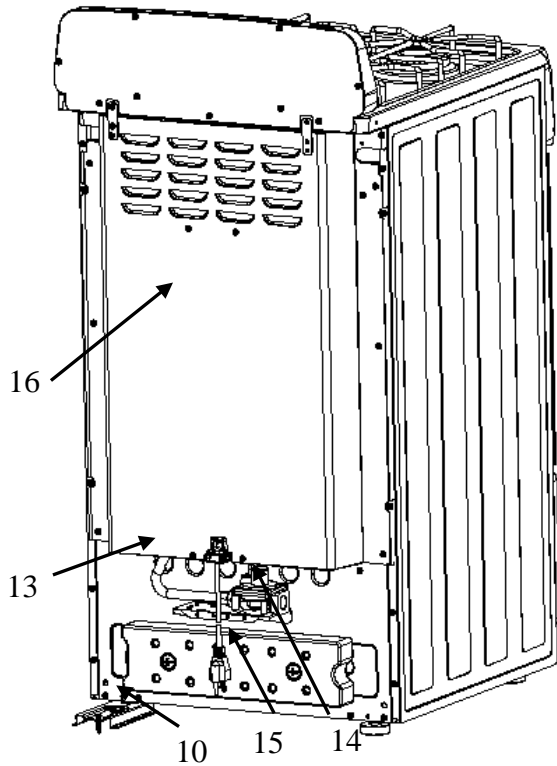
details, including your telephone number, and send it to:

**Customer Service
Avanti Products
10880 NW 30 Street
Miami, FL 33172**

PARTS & FEATURES



1	Backsplash
2	Oven Vent
3	Sealed Burners (Total 4)
4	Control Panel
5	Oven Door Handle
6	Oven Door
7	Drawer Handle
8	Drawer
9	Leveling Legs (Total 4)
10	Anti-tip Bracket
11	Cooktop
12	Pan Supports (Total 2)
13	Inlet Pipe
14	Regulator
15	Power Cord
16	Back Plate



COOKTOP

BTU/hr Ratings			
		20"	24"
1	Auxiliary	2800	2500
2	Right Semi-rapid	4600	4300
3	Left Semi-rapid	4600	4300
4	Rapid	8800	8000

Note:

-The electric gas-lighting device is incorporated into the knobs.

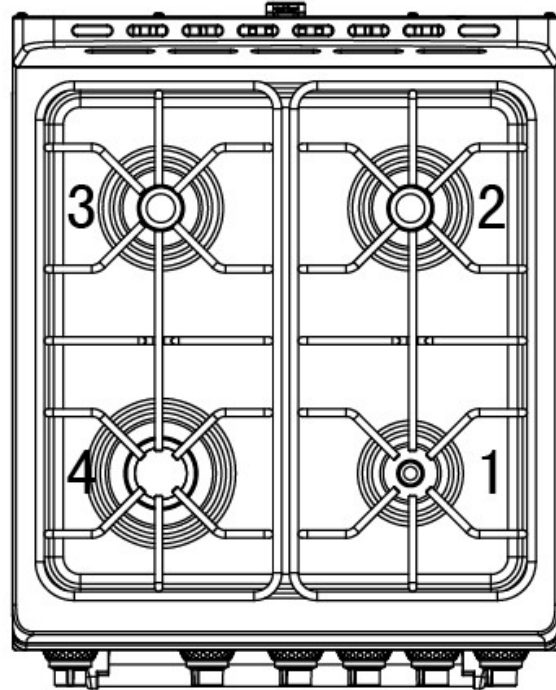
CAUTION:

If the burner is accidentally extinguished, turn the gas off at the control knob and wait at least 1 minute before attempting to relight.

CAUTION:

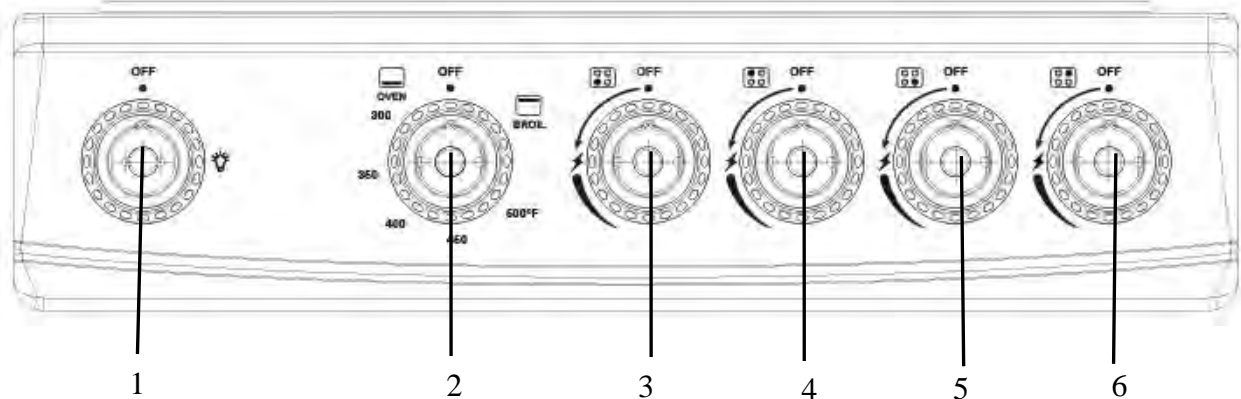
Gas appliances produce heat and humidity in the environment in which they are installed.

Ensure that the cooking area is well ventilated following national/local codes.



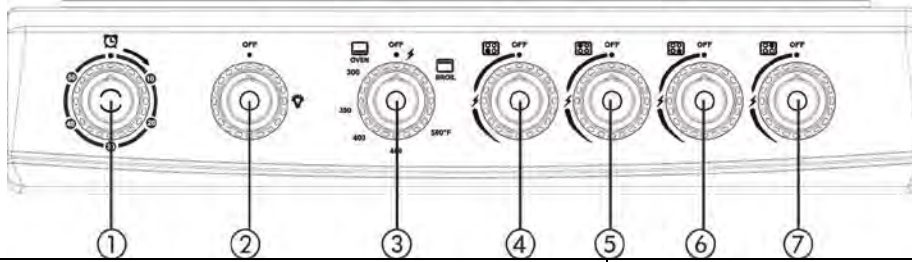
CONTROL PANEL

Models: GR2011CW / GR2012CB / GR2013CSS



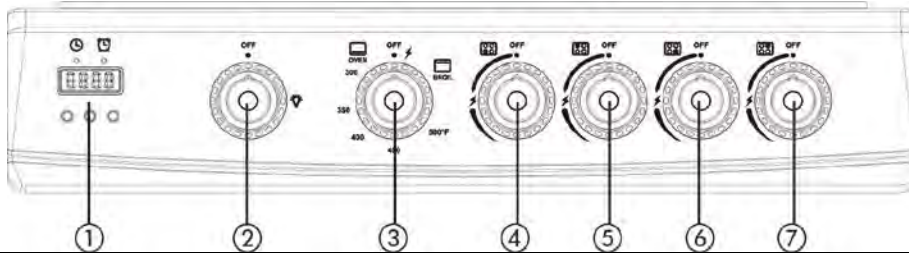
Oven Controls		Cooktop Control	
1	Oven Light ON / OFF Knob	3	Front Left Burner Control Knob
2	Oven Temperature Control Knob	4	Rear Left Burner Control Knob
		5	Front Right Burner Control Knob
		6	Rear Right Burner Control Knob

➤ **CONTROL PANEL**
Models: GR2414CW / GR2415CB



Kitchen Timer		Cooktop Control	
1	Manual Kitchen Timer	4	Front Left Burner Control Knob
Oven Controls		5	Rear Left Burner Control Knob
2	Oven Light ON / OFF Knob	6	Front Right Burner Control Knob
3	Oven Temperature Control Knob	7	Rear Right Burner Control Knob

➤ Model: GR2416CSS



Kitchen Timer		Cooktop Control	
1	Digital Kitchen Timer	4	Front Left Burner Control Knob
Oven Controls		5	Rear Left Burner Control Knob
2	Oven Light ON / OFF Knob	6	Front Right Burner Control Knob
3	Oven Temperature Control Knob	7	Rear Right Burner Control Knob

Digital Kitchen Timer

	<p>When you first plug in the range or power has returned after 10 hours you will see 12:00 in the display and hear an alarm tone.</p> <p>Clock: To set the clock, press and hold the SET button for once, clock indicator will light, when the hour position flash adjust the hour by pressing the up or down button, press SET when done repeat the steps for the minutes and press SET to enter Cook Timer setting or just confirm by waiting for 5 seconds.</p> <p>Cook Timer: Press the SET button three times and the cook timer indicator will light. Press the up or down buttons to choose the except cook-time (1 – 99 minutes, default is 1 minutes). After 5 seconds, the Setting will be confirmed and the countdown will begin. Once the selected time has elapsed, the indicator light will turn off and the alarm will sound 15 times or until a button is pressed.</p>
<p>1: Clock Time Indicator 2: Digital Display 3: Down Button 4: Up Button 5: Set/Quit Button 6: Cook Timer Indicator</p>	

BEFORE USING YOUR GAS RANGE



WARNING!!

THIS RANGE INSTALLED BY A QUALIFIED INSTALLER. Improper installation, adjustment, alteration, services, or maintenance can cause injury or property damage. Consult a qualified installer, service agency, or the gas supplier.

➤ Before Using Your Gas Range

- ✓ Remove the exterior and interior packing.
- ✓ Remove the protective film on steel and aluminum parts
- ✓ Check to be sure you have all of the parts listed below
 - 1 Backsplash
 - LP Gas Conversion Packet(injectors for LP gas, 6pcs)
 - 1 Anti-tip bracket
 - 2 Pan supports
 - 2 Oven racks
 - 4 Caps and bases in the burner assembly
 - 1 Broiler Grid
 - 1 Broiler Tray
 - 1 Regulator(Pre-installed)
 - 5 Screws for Backsplash
 - 1 Instruction Manual
 - 1 Installation Manual
- ✓ Clean the interior surface with lukewarm water using a soft cloth
- ✓ Have the installer show you the location of the range's gas shut-off valve and how to shut it off if necessary.
- ✓ Have your range installed and properly grounded by a qualified installer in accordance with the installation instructions.
- ✓ Do not attempt to repair or replace any part of your range unless it is specifically recommended in this manual.
- ✓ Be sure your range is correctly adjusted by a qualified service technician or installer for the type of gas (natural or LP) that is being used.
- ✓ Do not remove permanently affixed labels, warnings, or plates from the product. This may void the warranty.
- ✓ The installer should leave these instructions with the consumer who should retain for local inspector's use and for future reference.
- ✓ Please observe all local and national codes and ordinances.

➤ **Important:**

This appliance is designed and manufactured solely for the cooking of domestic (household) food and is not suitable for any non-domestic application and therefore CANNOT be used in a commercial environment.

The appliance guarantee will be void if the appliance is used within a non-domestic environment i.e. a semi commercial, commercial or communal environment.

Read the instructions carefully before installing and using the appliance.

CAUTION: this appliance must only be installed in a permanently ventilated room in compliance with the applicable regulations.

It is advised to follow these instructions:

- ✓ Clean the interior of the oven with a clean cloth soaked in water and detergent (neutral, then dry carefully).
- ✓ Furnish the interior of the oven by inserting the shelves and tray.
- ✓ Turn the oven on to the maximum temperature to eliminate any possible traces of grease from the oven burner. The same operation should be followed for the broiler burner.

**** NOTE ****


This appliance can be used with LP gas and NG gas. It is shipped from the factory adjusted for use with NG (Natural Gas). Conversion orifices are included. Follow the instruction packaged with the orifices for gas conversion.

Natural Gas Orifices					
Auxiliary Burner:	Semi-Rapid Burner:	Semi-Rapid Burner:	Rapid Burner:	Broil Burner:	Oven Burner:
0.8	1.07	1.07	1.24	1.4	1.4
LPG Orifices					
Auxiliary Burner:	Semi-Rapid Burner:	Semi-Rapid Burner:	Rapid Burner:	Broil Burner:	Oven Burner:
0.53	0.68	0.68	0.9	0.8	0.8

**ATTENTION:
YOUR PRODUCT IS PRE-INSTALLED WITH NATURAL GAS INJECTORS AND REGULATOR.**

IF YOU ARE USING LP GAS PLEASE REFER TO INSTALLATION INSTRUCTIONS INCLUDED WITH THE CONVERSION KIT.

IMPORTANT PRECAUTIONS AND RECOMMENDATIONS

- ✓ After having unpacked the appliance, check to ensure that it is not damaged and that the oven door closes correctly. In case of doubt, do not use it and consult your supplier or a professionally qualified technician.
- ✓ Packing elements (i.e. plastic bags, polystyrene foam, nails, packing straps, etc.) should not be left around within easy reach of children, as these may cause serious injuries.
- ✓ The packaging material is recyclable and is marked with the recycling symbol .
- ✓ Do not attempt to modify the technical characteristics of the appliance as this may cause danger to users.
- ✓ Do not carry out cleaning or maintenance operations on the appliance without having previously disconnected it from the electric power supply.
- ✓ If you should decide not to use this appliance any longer (or decide to substitute an older model), before disposing of it, it is recommended that it be made inoperative in an appropriate manner in accordance to health and environmental protection regulations, ensuring in particular that all potentially hazardous parts be made harmless, especially in relation to children who could play with unused appliances.
- ✓ Remove the door before disposal to prevent entrapment..
- ✓ After use, ensure that the knobs are in OFF position.
- ✓ Do not allow children or other unqualified people to use the appliance without your supervision.
- ✓ During and after use of the range, certain parts will become very hot. Do not touch hot parts.
- ✓ Keep children away from the range when it is in use
- ✓ Fire risk! Do not store flammable material in the oven or in the bottom drawer.
- ✓ Make sure that electrical cables connecting other appliances in the proximity of the range cannot come into contact with the hob or become entrapped in the oven door.
- ✓ Do not line the oven walls top and bottom with aluminium foil. Do not place shelves, pans, baking trays, broil tray or other cooking utensils on the base of the oven chamber.
- ✓ The manufacturer declines all liability for injury to persons or damage to property caused by incorrect or improper use of the appliance.
- ✓ To avoid any possible hazard, the appliance must be installed by qualified personnel only. Any repairs by unqualified persons may result in electric shock or short circuit. In order to avoid possible injuries to your body or to the appliance, do not attempt any repairs by yourself. Such work should be carried out by qualified service personnel only.
- ✓ Danger of burns! The oven and cooking accessories may become very hot during operation. Make sure children are kept out of reach and warn them accordingly. To avoid burns use kitchen clothes and gloves when handling hot parts or utensils.
- ✓ Stand away from the range when opening oven door. Hot air or steam which escapes can cause burns to hands, face, and/or eyes.
- ✓ Never clean the oven with a high-pressure steam cleaning device, as it may provoke a short circuit.
- ✓ This appliance is intended for use in your household. Never use the appliance for any other purpose!

➤ **IMPORTANT PRECAUTIONS AND RECOMMENDATIONS FOR USE OF ELECTRICAL APPLIANCES**

Use of any electrical appliance implies the necessity to follow a series of fundamental rules.

In particular:

- ✓ Never touch the appliance with wet hands or feet;
- ✓ Do not operate the appliance barefooted;
- ✓ Do not allow children or disabled people to use the appliance without your supervision.

The manufacturer cannot be held responsible for any damages caused by improper, incorrect or unreasonable use of the appliance

➤ **GENERAL INFORMATION**



WARNING!!

1. This appliance shall not be used for space heating. This information is based on safety considerations.
 2. All openings in the wall behind the appliance and in the floor under the appliance shall be sealed.
 3. Keep appliance area clear and free from combustible materials, gasoline, and other flammable vapors.
 4. Do not obstruct the flow of combustion and ventilation air.
 5. Disconnect the electrical supply to the appliance before servicing.
 6. When removing appliance for cleaning and/or service;
 - A. Shut off gas at main supply.
 - B. Disconnect AC power supply.
 - C. Disconnect gas line to the inlet pipe.
 - D. Carefully remove the range by pulling outward.
- CAUTION: Range is heavy; use care in handling.**
7. The misuse of oven door (e.g. stepping, sitting, or leaning on them) can result in potential hazards and/or injuries.
 8. When installing or removing the range for service, a rolling lift jack should be used. Do not push against any of the edges of the range in an attempt to slide it into or out of the installation. Pushing or pulling a range (rather than using a lift jack) also increases the possibility of bending the leg spindles or the internal coupling connectors.

**** WHAT TO DO IF YOU SMELL GAS ****

- **Do not try to light any appliance.**
- **Do not touch any electrical switch.**
- **Do not use any phone in your building.**
- **Immediately call your gas supplier from a neighbor's phone**
Follow the gas supplier instructions.
- **If you cannot reach your gas supplier, call the fire department.**



WARNING!!

➤ **ELECTRICAL GROUNDING INSTRUCTIONS**
FOR PERSONAL SAFETY, THIS APPLIANCE MUST BE PROPERLY GROUNDED.

This appliance is equipped with a three-prong grounding plug for your protection against shock hazard and should be plugged directly into a properly grounded socket. Do not cut or remove the grounding prong from the plug.

- **The gas range must be installed with all electrical connections in accordance with state and local codes. A standard electrical supply (115 V AC only, 60 Hz), properly grounded in accordance with the National Electrical Code and local codes and ordinances is required.**

Do not under any circumstances cut or remove the third (ground) prong from the power plug. Electrical installation should comply with national and local codes.

➤ **REPLACEMENT PARTS**

Only authorized replacement parts may be used in performing service on the range. Replacement parts are available from factory authorized parts distributors. Contact the nearest AVANTI parts distributor in your area.



CARBON MONOXIDE WARNING:

Carbon Monoxide is a possible danger when using any gas powered appliance.

All gas appliances **MUST** be installed by a licensed professional who is familiar with the Carbon Monoxide levels appropriate for each appliance.

The American Gas Association publishes CO emissions for appliances and heating equipment through the ANSI Std. Z21.1

The EPA reports that a maximum CO (Carbon Monoxide) level of 9 PPM over a 24 hour period is the residential interior ambient level standard.

(A properly ventilated home will have a normal CO level of less than 5 PPM.)

NON-VENTED GAS COOKING APPLIANCES:

In a residential application are normally used for a short period of time.

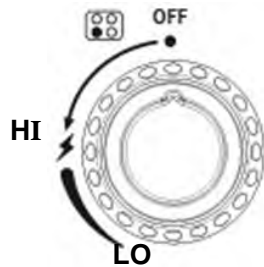
The CO generated during the operation will disperse to the air in the home and be purged to the outside through the normal air exchange.

HOW TO USE THE TOP BURNERS

➤ GAS BURNERS

Gas flow to the burners is adjusted by turning the knobs which control the valves. Turning the knob so that the indicator line points to the symbols printed on the panel achieves the following functions:

When knob is rotated to the maximum position it will permit the rapid boiling of liquids, whereas the minimum position allows the simmer warming of food or maintaining boiling conditions of liquids.



To reduce the gas flow to simmering, rotate the knob further counter-clockwise to point the **Lo** position.

Other intermediate operating adjustments can be achieved by positioning the indicator between the **HI** and **Lo** positions, and never between the **HI** and **OFF** positions.

When the range is not being used, set the gas knobs to their **OFF** positions and also close the gas shut-off valve placed on the main gas supply line.

➤ LIGHTING GAS BURNERS

In order to light the burner, you must:

1 – Push and turn the knob in a counterclockwise direction up to the **HI** position (maximum rate), push in and hold the knob until the flame has been lit. The sparks produced by the internal igniter will light the designated burner.

In the event that the local gas supply conditions make it difficult to light the burner in the **HI** position, try again with the knob in **Lo** position.

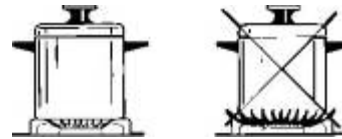
2 – Adjust the gas valve to the desired position.

To re-light the burner, return the knob to the **OFF** position and repeat the operations for lighting.

Caution! The range becomes very hot during operation. Keep children well out of reach.

➤ **CHOICE OF BURNER**

DIAMETERS OF PANS WHICH MAY BE USED ON THE TOP BURNERS		
BURNER	MINIMUM	MAXIMUM
Auxiliary	4" 23/32 (12 cm)	5" 1/2 (14 cm)
Semirapid	6" 19/64 (16 cm)	9" 7/16 (24 cm)
Rapid	9" 7/16 (24 cm)	10" 15/64 (26 cm)
Do not use pans with concave or convex bases		



The symbols printed on the panel above the gas knobs indicate the correspondence between the knob and the burner.

The most suitable burner is to be chosen according to the diameter and volume capacity of the container to be warmed.

It is important that the diameter of the pots or pans suitably match the heating potential of the burners in order not to jeopardize the efficiency of the burners, bringing about a waste of gas fuel.

A small diameter pot or pan placed on a large burner does not necessarily mean that boiling conditions are reached quicker.

Make sure that the handles of cookware do not stick out over the edge of the range, to avoid them being knocked over by accident. This also makes it more difficult for children to reach the cooking vessels.

High – Altitude effects on burners:
 The surface burners used on this unit range from 2,500 BTU to 8,800 BTU on natural gas installation under 2,000 feet above sea level. Burner strength is de-rated by 4% per 1000 feet.

HOW TO USE THE GAS OVEN

➤ **GENERAL FEATURES**

The gas oven is provided with two burners:

Oven burner, mounted on the lower part of the oven:

Broil burner, mounted on the upper part of the oven:

➤ **USING THE OVEN FOR THE FIRST TIME**

It is advised to follow these instructions

- Insert shelves and broiler grid and tray
- Turn the oven on to the maximum temperature position (500F) to eliminate possible traces of grease from the oven burner. The same operation should be followed for the broiler burner (knob on position BROIL)
- Unplug the power cord, let the oven cool down, then clean the interior of the oven with cloth soaked in water and detergent (neutral) then dry carefully.

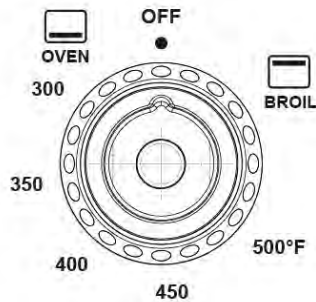
OVEN BURNER

Carries out normal “oven cooking”.

The gas flow to the burner is regulated by a thermostat which allows to maintain the desired oven temperature.

The control of the temperature is assured by a thermostatic probe positioned inside the oven.

The probe must be always kept in its housing, in a clean condition, as an incorrect position or a dirty probe may cause an alteration in the control of the temperature.



GAS OVEN SETTING	
Number printed on the knob Temperature in °F	Corresponding temperature in °C
300	149
350	177
400	204
450	232
500	260

OVEN THERMOSTAT

The numbers printed on the control panel indicate the increasing oven temperature value (°F).

To regulate the temperature, set the chosen number onto the control knob indicator.

The position BROIL serves only to turn on the broil burner.

NOTE: When the range will not be used for long periods of time, set the gas knobs to their **OFF** positions and also close the gas shut-off valve placed on the main gas supply line.

VERY IMPORTANT: The oven/broil shall be used always with the door closed.

IGNITION OF THE OVEN BURNER

The thermostat allows the automatic control of the temperature.

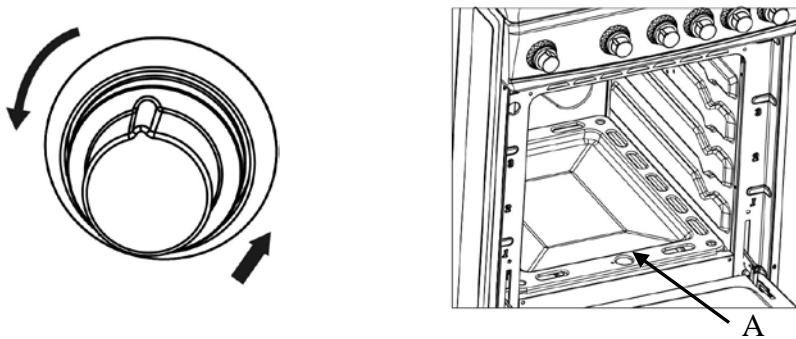
The gas delivery to the oven burner is controlled by a two way thermostatic tap (oven and broil burners) with flame-failure device.

To light the oven burner operate as follows:

- 1) Open the oven door to its full extent.

WARNING: Risk of explosion! The oven door must be open during this operation.

- 2) Lightly press and turn the thermostat knob counter-clockwise to max position or 500°F



- 3) Press the knob inward and hold to activate the electronic ignition. Note that you will hear a “clicking” noise. Hold the knob pressed inward until the oven burner is lit. Once the oven burner is lit, release the knob.

In case of power outage, you can manually light the burner by pressing the knob inward and immediately approach a lighted match to the opening “A” (see the diagram above).

Never continue this operation for more than 15 seconds. If the burner has still not ignited, wait for about 1 minute prior to repeating the ignition.

- 4) When using the range for the first time or after long period of non-usage, keep pressing the knob inward for approximately 10 – 15 seconds after the burner has lit to ensure the gas valve has been accurately primed.

- 5) Close the oven door slowly and adjust the burner accordingly to the desired temperature. If the flame extinguishes for any reason, the safety valve will automatically shut off the gas supply to the burner.

To re-light the burner, first turn the oven control knob to the **OFF** position, wait for at least 1 minute and then repeat the lighting procedure.

Attention: the oven door becomes very hot during operation. Keep children away.

OVEN COOKING

Before introducing the food, preheat the oven to the desired temperature

For a correct preheating operation, it is advisable to remove the tray from the oven and introduce it together with the food, when the oven has reached the desired temperature.

Check the cooking time and turn off the oven 5 minutes before the theoretical time to recuperate the stored heat.

IGNITION OF THE BROIL BURNER

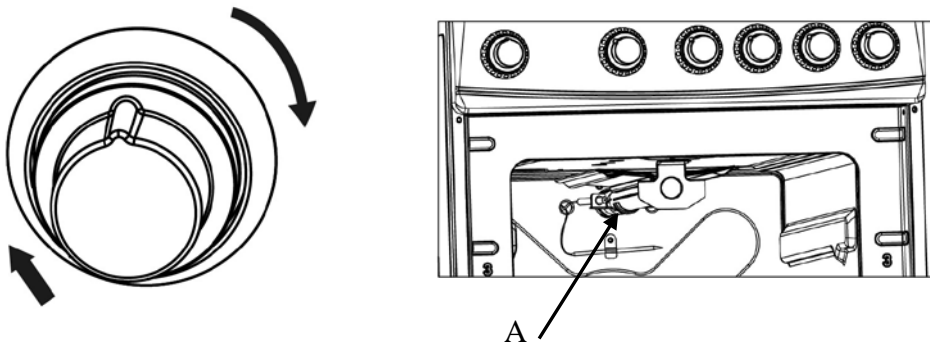
The broil burner generates the infra-red rays for broiling. To light the broil burner operate as follow:

To light the oven burner operate as follows:

1) Open the oven door to its full extent.

WARNING: Risk of explosion! The oven door must be open during this operation.

2) Lightly press and turn the thermostat knob clockwise to the broil position.



3) Press the knob inward and hold to activate the electronic ignition. Note that you will hear a “clicking” noise. Hold the knob pressed inward until the oven burner is lit. Once the oven burner is lit, release the knob.

In case of power outage, you can manually light the burner by pressing the knob inward and immediately approach a lighted match to the area “A” (see the diagram above).

Never continue this operation for more than 15 seconds. If the burner has still not ignited, wait for about 1 minute prior to repeating the ignition.

4) When using the range for the first time or after long period of non-usage, keep pressing the knob inward for approximately 10 – 15 seconds after the burner has lit to ensure the gas valve has been accurately primed.

5) Slowly close the oven door. If the flame extinguishes for any reason, the safety valve will automatically shut off the gas supply to the burner.

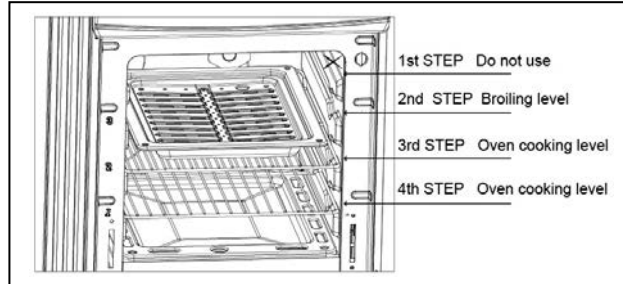
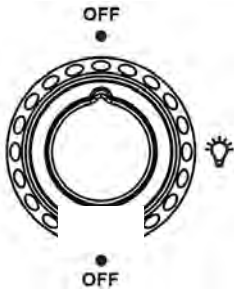
To re-light the burner, first turn the oven control knob to the **OFF** position, wait for at least 1 minute and then repeat the lighting procedure.

Do always broil with oven door closed. Attention: the oven door becomes very hot during operation. Keep children away.

OVEN LIGHT

The range is equipped with a light that illuminates the oven to enable visually controlling the food that is cooking.

This light is controlled by a knob on the control panel.



BROILING

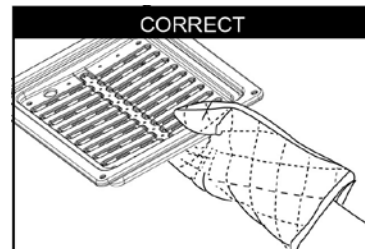
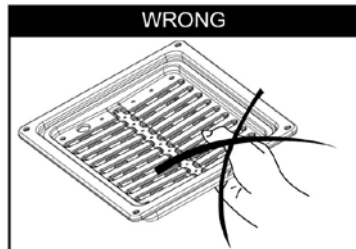
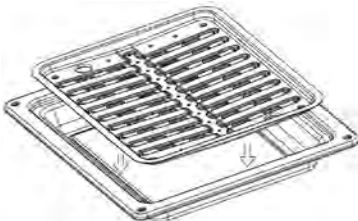
Very important: the broil burner must always be used with the oven door closed.

Position the oven rack on the second level from the top

-Turn on the broil burner, as explained in the preceding paragraphs and let the broil burner preheat for about 5 minutes with the door closed.

-Place the food to be cooked above the broiling pan.

-Introduce the broiling pan in the oven. The broiling pan should be placed above the shelf and it should be centered with the broil burner.



WARNING!!

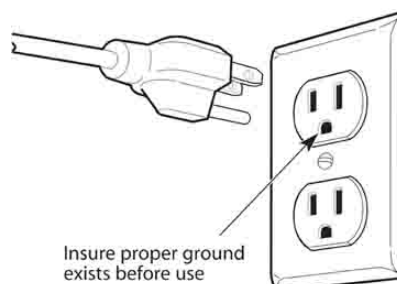
WARNING-VERY IMPORTANT NOTICE

Never obstruct the oven vent slots on the backsplash.

- Do not broil without using the broiling pan.
- Important: Use always suitable protective gloves when inserting / removing the broiling pan, shelves, pans or other cooking utensils from the oven.
- Attention: the range becomes very hot during operation
- Attention: the oven door becomes very hot during operation
- Keep Children away
- Warning: The door is hot, make sure to use the handle

CARE & MAINTENANCE

GENERAL RECOMMENDATION



Important: Before any operation of cleaning and maintenance disconnect the appliance from the electrical supply.

It is advisable to clean when the appliance is cold and especially for cleaning the enameled parts.

Avoid leaving alkaline or acidic substances (lemon juice, vinegar, etc.) on the surfaces.

Avoid using cleaning products with a chlorine or acidic base.

The oven must always be cleaned after every use, using suitable products and keeping in mind that its operation for 30 minutes on the highest temperature eliminates most grime reducing it to ashes.

ENAMELED PARTS

All the enameled parts must be cleaned with a sponge and soapy water only or other non-abrasive products.

Dry preferably with a chamois leather.

If acid substances such as lemon juice, tomato conserve, vinegar etc. are left on the enamel for a long time they will etch it, making it opaque.

STAINLESS STEEL ELEMENTS

Stainless steel parts must be rinsed with water and dried with a soft and clean cloth or with a chamois leather.

For difficult dirt, use a specific non-abrasive product available commercially or a little hot vinegar.

Note: regular use could cause discoloring around the burners, because of the high flame temperature.

INSIDE OF OVEN

This must be cleaned regularly. With the oven warm, wipe the inside walls with a cloth soaked in very hot soapy water or another suitable product.

GAS VALVES

In the event of operating faults in the gas valves, shut the main gas supply and call the Service Department.

**WARNING
VERY IMPORTANT**

Before any operation of maintenance disconnect the appliance from the electrical mains supply.

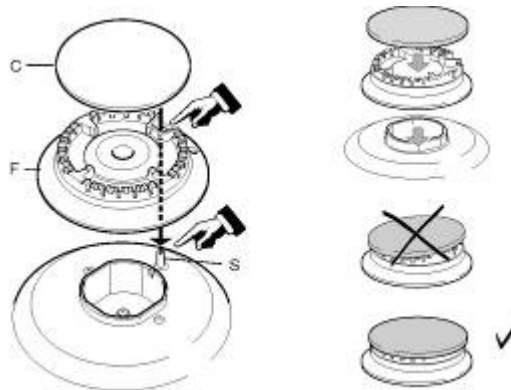
Do not use steam jet cleaners because the humidity could infiltrate into the appliance making it dangerous.

BURNERS AND GRIDS

- ✓ These parts can be removed and cleaned with appropriate products.
- ✓ After cleaning, the burners and their flame distributors must be well dried and correctly replaced.
- ✓ It is very important to check that the burner flame distributor and the cap has been correctly positioned - failure to do so can cause serious problems.
- ✓ In appliances with electric ignition keep the electrode clean so that the sparks always strike.
- ✓ **Note: To avoid damage to the electric ignition do not use it when the burners are not in place.**

CORRECT REPLACEMENT OF THE BURNERS

It is very important to check that the burner flame spreader "F" and the cap "C" have been correctly positioned. Failure to do so can cause serious problems.



In appliances with electric ignition, check that the electrode "S" is always clean to ensure trouble-free sparking.

The ignition plug must be cleaned very carefully.

OVEN RACK INSTALLATION AND REMOVAL

The oven racks are provided with a safety catch to prevent accidental extraction.

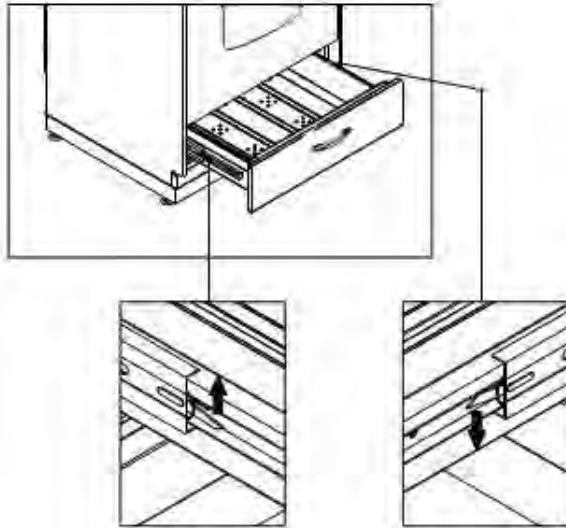
They must be inserted as shown.

To pull them out remove the rack in the reverse order.

Figura 22



REMOVABLE STORAGE DRAWER



① Lift the left small hook upward, at the same time, push the right small hook downward.(see the picture)

② Pull the drawer out.

③ To replace the drawer, align the drawer with the rails and push inward.

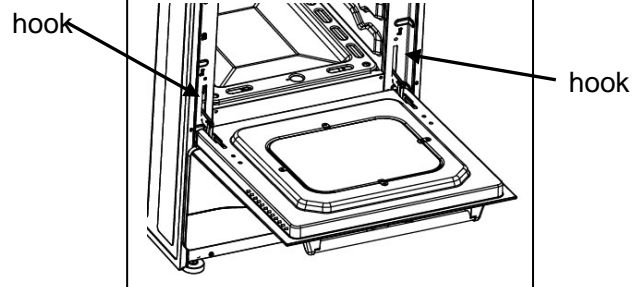
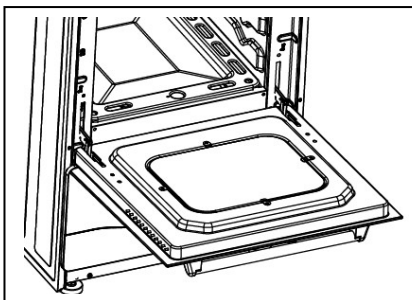
Do not store flammable material in the oven or in the bottom drawer.

REMOVING THE OVEN DOOR

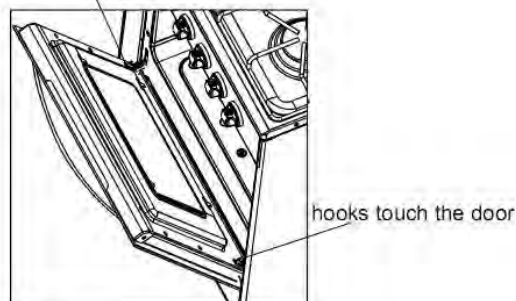
To facilitate oven cleaning, it is possible to remove the door. Please follow the instructions carefully:

REMOVING THE OVEN DOOR

- The oven door can easily be removed as follows:
- Open the door to the full extends.
- Lift the left and right hooks on the hinge.
- Hold the door as shown in the figure.
- Gently close the door and lift the door with two hands when the hooks touch the door.
- Set the door on a soft flat surface.
- To replace the door, repeat the above steps in reverse order.



hooks touch the door



REPLACING THE OVEN LIGHT

- Let the oven cavity and broil burner cool down.
- Switch off the electric supply.
- Remove the protective cover.
- Unscrew and replace the bulb with a new one suitable for high temperature (200°~ 500°F) having the same specifications: 120V 60Hz, 15W, E14.
- Replace the protective cover.

NOTE: Oven bulb replacement is not covered by your guarantee.

LEVELING THE RANGE

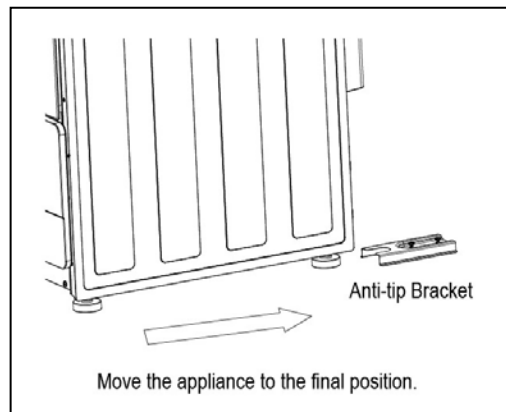
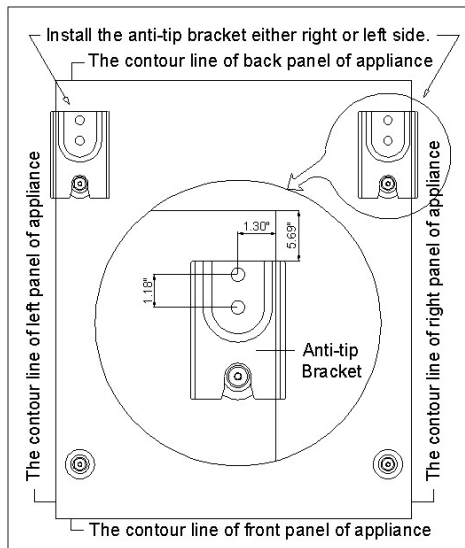
The range must be level to obtain proper operating. The four screws type leveling legs located on the corners at the bottom of range should be adjusted by turning them clockwise to make the range higher or counter-clockwise to lower the range until the range is level. Use a level on surface units to check the leveling of the range.

ANTI-TIP BRACKET INSALLATION

To reduce the risk of tipping the range by abnormal usage or improper door loading, the range must be secured by properly installing the anti-tip device packed with the appliance.

- Place the anti-tip bracket on the floor as shown figure. Anti-tip bracket can be installed on either right or left side.
- Make the locations of 2 holes of ant-tip bracket on the floor.
- Use a 5/16" masonry drill bit and insert plastic anchor.
- Secure bracket to floor using screws supplied.
- Slide appliance into position.

NOTE: If range is relocated, the bracket must be removed and installed in new location.



PROBLEMS WITH YOUR GAS RANGE?

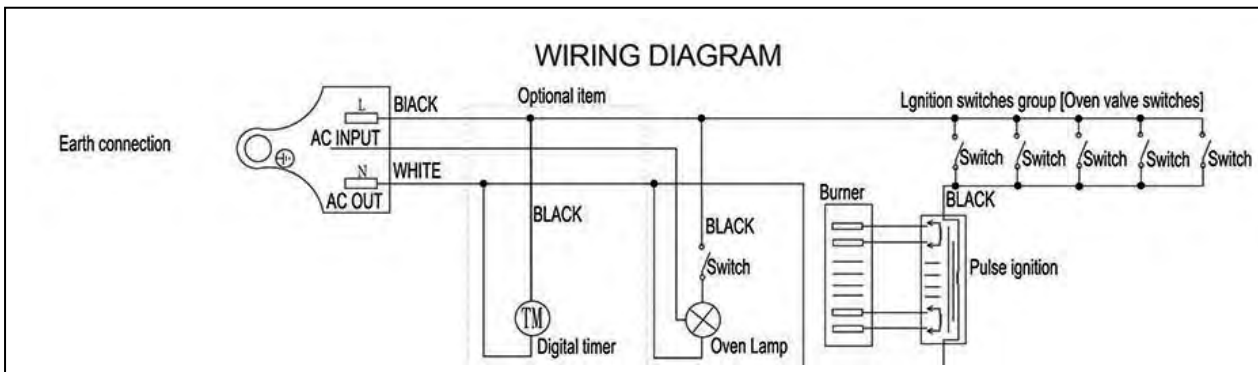
You can solve many common appliance problems easily, saving you the cost of a possible service call. Try the suggestions below to see if you can solve the problem before calling the servicer.

TROUBLESHOOTING GUIDE

FIND YOUR PROBLEM HERE	POSSIBLE CAUSE	HOW TO FIX IT
Surface burners do not light.	Surface control has not been completely turned to the ON position.	Push in and turn control to the ON position until burner ignites, then turn control to desired flame setting.
	Burner ports are clogged.	Use a small gauge wire or needle to open ports.
	Burners not positioned properly.	Verify that the burners are positioned properly on the orifice hoods and the burners are sitting flat on the burner support with tabs engaged in slots.
	Range not set for appropriate gas input.	See range conversion section of installation manual.
	Pilot lights won't light due to power failure.	Light pilots manually.
	Range power cord is disconnected from the outlet.	Be sure power cord is plugged into grounded outlet.
Flame burns halfway round.	Burner ports are clogged.	Use a small gauge wire or needle to open ports.
	Moisture is present after cleaning.	Lightly fan the flame and allow burner to operate until flame is full. OR dry burners thoroughly following instructions in range "Cleaning" section.
	Range is not set for appropriate gas input.	See range conversion section of installation manual.
Flame is orange.	Dust particles in main line.	Allow burner to operate for a few minutes until flame turns blue.
	Range is not set for appropriate gas input.	See range conversion section of installation manual.
Oven light does not work.	Burned out or loose bulb	Tighten or replace oven light bulb.
Oven or broiler does not heat.	Range is not set for appropriate gas input.	See range conversion section of installation manual.
	Temperature control not set properly.	Make sure temperature control is set at desired temperature.
	Pilot light will not light due to power failure.	Light pilots manually.
	House fuse has blown or circuit breaker has tripped.	Check/reset circuit breaker and/or replace fuse. Do not increase fuse capacity. If the problem is a circuit overload, have it corrected by a qualified electrician.
	Range cord is disconnected from outlet.	Be sure the power cord is plugged into a grounded outlet.
Oven temperature is inaccurate.	Oven capillary bulb not positioned properly.	Verify that capillary bulb is snapped in clips straight and not touching sides or coated with oven cleaner or food.
	Temperature control not set properly.	Make sure the temperature control knob is set at the desired temperature.
	Improper use of foil.	Keep foil clear of holes in oven bottom and off of oven sides.
	Vent blocked.	Keep vent on backguard clear.
	Range not set for appropriate	See range conversion section of installation

	gas input.	manual.
Smoke or odor on initial oven operation.	This is normal.	
Range is not level.	Poor installation.	Place oven rack in center of oven. Place a level on the rack. Adjust leveling legs.
	Weak or unstable floor.	Be sure floor is level and can adequately support range. Contact carpenter to correct sagging or sloping floor.
	Kitchen cabinet misalignment may make range appear to be unlevelled.	Be sure cabinets are square and have sufficient room for range clearance. Contact cabinet maker to correct problem
Oven smokes excessively.	Meat too close to broiler burner.	Reposition the broiler pan to provide more clearance between the meat and the broiler burner
	Meat not prepared properly.	Remove excess fat from meat.

Wiring Diagram



SERVICE FOR YOUR GAS RANGE

We are proud of our customer service organization and the network of professional service technicians that provide service on your Avanti appliances. With the purchase of your Avanti appliance, you can have the confidence that if you ever need additional information or assistance, the Avanti Products Customer Service team will be here for you. Just call us toll-free.

AVANTI PRODUCTS CUSTOMER SERVICES

Product Information 800-323-5029	Whatever your questions are about our products, help is available.
Part Orders 800-220-5570	You may order parts and accessories that will be delivered directly to your home by personal check, money order, Master Card, or Visa.
In-Home Repair Service 800-220-5570	An Avanti Products authorized service center will provide expert repair service, scheduled at a time that is convenient for you. Our trained servicers know your appliance inside and out.

YOUR AVANTI PRODUCTS WARRANTY

WARRANTY – GAS RANGE

LENGTH OF WARRANTY	WE WILL PAY FOR
FULL ONE YEAR WARRANTY FROM DATE OF PURCHASE ON ALL PARTS EXCEPT GLASS PARTS. IN RENTAL OR COMMERCIAL USE, THE WARRANTY PERIOD IS 90 DAYS.	REPLACEMENT PARTS AND REPAIR LABOR TO CORRECT DEFECTS IN MATERIALS OR WORKMANSHIP. SERVICE MUST BE PROVIDED BY AN AUTHORIZED SERVICE COMPANY.
FULL 30-DAY WARRANTY FROM DATE OF PURCHASE ON GLASS PARTS AND FINISH OF PORCELAIN ENAMEL, PAINTED OR BRIGHT METAL FINISHED PARTS	REPLACEMENT PARTS AND REPAIR LABOR TO CORRECT DEFECTS IN MATERIAL OR WORKMANSHIP. SERVICE MUST BE PROVIDED BY AN AUTHORIZED SERVICE COMPANY.
WE WILL NOT PAY FOR	
A. Service calls to: <ol style="list-style-type: none"> 1. Correct the installation of your range. 2. Instruct you how to use your range. 3. Replace house fuses or correct house wiring. 4. Replace owner-accessible light bulbs. B. Surcharges including, but not limited to, any after hour, weekend, or holiday service calls, tolls, ferry trip charges, or mileage expense for serviced calls to remote areas, including the state of Alaska. C. Pick up and delivery. Your range is designed to be repaired in the home. D. Damage to your range caused by accident, misuse, fire, flood, acts of God, or use of products not mentioned in this manual. E. Repairs to parts or systems caused as a result of unauthorized modifications made to the appliance. F. Shipping and handling costs associated with the replacement of the unit. G. Repairs when your range is used in other than normal, single-family household use.	

AVANTI PRODUCTS SHALL NOT BE LIABLE FOR INCIDENTAL OR CONSEQUENTIAL DAMAGES.

Some states do not allow the exclusion or limitation of incidental or consequential damages, so this exclusion or limitation may not apply to you. This warranty gives you specific legal rights, and you may also have other rights that vary from state to state.

This warranty is not valid outside the Continental United States.

MEDIDAS DE SEGURIDAD IMPORTANTES

Su seguridad y la seguridad de los demás son muy importantes.

Hemos incluido muchos mensajes importantes de seguridad en este manual y en su electrodoméstico. Siempre lea y obedezca todos los mensajes de seguridad.



Éste es el símbolo de alerta de seguridad.

Este símbolo le avisa de los peligros potenciales que pueden ocasionar la muerte o lesionar a usted y otros. Todos los mensajes de seguridad seguirán el símbolo de alerta de seguridad y de las palabras "PELIGRO", "ADVERTENCIA" o "PRECAUCIÓN".

Estas palabras significan:



Peligro significa que el incumplimiento de la medida de seguridad podría causar lesiones graves o la muerte.



Advertencia significa que si no se respeta esta medida de seguridad podría resultar en graves daños al producto, lesiones personales graves o la muerte.



Atención significa que el incumplimiento de la medida de seguridad podría provocar lesiones leves o moderadas personal o la propiedad o daños al equipo.

Todos los mensajes de seguridad le alertan cuál es el peligro potencial, le dirán cómo reducir el riesgo de lesiones, y le hará saber lo que puede suceder si no se siguen las instrucciones.

EN EL ESTADO DE MASSACHUSETTS

- Este producto debe ser instalado por un plomero o un gasista matriculado.
- Si se utilizan válvulas de cierre de gas tipo bola, que deberán ser del tipo T-mango.
- Un conector flexible de gas, cuando se usa, no debe exceder de 3 pies de largo.

¡ANTES DE QUE EMPIECES!

La instalación de esta estufa debe cumplir con todos los códigos locales, o en ausencia de códigos locales, con el Código Nacional de Gas Combustible, ANSI Z223.1 / NFPA.54, última edición. En Canadá, el código de instalación, CAN / CGA-B149.1 o el código de instalación de gas propano actual, CAN / CGA-B149.2, y con los códigos locales de su estado.

ANTES DE LA INSTALACIÓN

NO HAGA utilizar una cortina de aire u otra campana de ventilación que opera soplando un flujo de aire hacia abajo sobre una estufa, a menos que la capana y la estufa se han sido diseñadas, probadas y certificadas por un laboratorio independiente de conformidad con la Norma para el hogar Cocinas de gas, ANSI Z21.1 • CSA 1.1 para su uso combinado. Las instrucciones de instalación, tanto para la cocina de gas y la campana debe incluir comentarios que no se permite la cortina de aire o una campana de ventilación ser usado en combinación con una estufa de gas, y que ambas unidades se han sido diseñadas y probadas de acuerdo con la Norma para Cocinas de gas doméstico, ANSI Z21.1 • CSA 1.1 para su uso combinado. Comprador / instalador debe revisar las instrucciones de instalación para cada unidad para garantizar su estufa es aceptable para su uso con tal sistema de ventilación.

Instalación Manufacturereed Homes (móviles) en:

La instalación debe cumplir con la norma de construcción de viviendas prefabricadas y Seguridad, Título 24 CFR, Parte 3280 [anteriormente la Norma Federal de Construcción y Seguridad, Título 24, HUD (parte 280)] o, cuando dicha norma no es aplicable, la estándar para instalaciones en casas prefabricadas, ANSI / NCSBCS A225.1, o con los códigos locales de su estado.

MEDIDAS DE SEGURIDAD IMPORTANTES



Antes de usar su electrodoméstico, debe posicionarlo e instalarlo tal como describimos en este manual, por lo tanto lea el manual cuidadosamente. Para reducir el riesgo de fuego, choque eléctrico o daño cuando use el electrodoméstico, siga estas precauciones básicas, incluyendo las siguientes:



- Se recomienda que use un circuito separado (independiente) para su electrodoméstico. Use receptáculos que no se apaguen con un interruptor o cadena.
- Nunca limpie las piezas del electrodoméstico con líquidos inflamables. Estos vapores pueden crear el riesgo de fuego o explosión. Asimismo, no almacene o use gasolina u otros vapores o líquidos inflamables cerca a este u otro electrodoméstico. Los vapores pueden crear el riesgo de fuego o explosión.
- Antes de proceder con la operación de limpieza y mantenimiento, asegúrese que la unidad este apagada y desconectada de la fuente de poder o energía.
- Desenchufe el electrodoméstico o desconecte la electricidad antes de limpiarlo o darle mantenimiento. El no hacerlo puede resultar en choque eléctrico o muerte.
- No intente reparar o reemplazar ninguna parte de su electrodoméstico a no ser que sea recomendado específicamente en este manual. Cualquier otro tipo de mantenimiento debe ser hecho por un técnico especializado.



ADVERTENCIA: Si la información de este manual no se sigue al pie de la letra, fuego o explosión podrían ocasionarse, causando daños a la propiedad, daños personales o inclusive muerte.



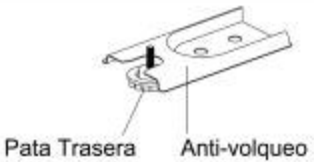
- Este electrodoméstico no se debe usar para calentar el ambiente. Las hornillas solo se deben usar cuando vaya a cocinar y use ollas. Esta información está basada en consideraciones de seguridad.
- La pared detrás de este electrodoméstico y el piso bajo este electrodoméstico deben estar sellados y no tener aperturas.
- Mantenga el área del electrodoméstico limpia y libre de materiales combustibles, gasolina, y otros vapores inflamables.
- No obstruya la circulación del aire o ventilación.
- Desconecte la fuente de poder o energía del electrodoméstico antes de darle mantenimiento.
- Cuando mueva el electrodoméstico para limpiarlo y/o darle mantenimiento:
 - Desenchufe de la electricidad AC.
 - Cuidadosamente remueva la cocina halándola hacia afuera.
- **PRECAUCIÓN:** La cocina es pesada. Tenga cuidado cuando la mueva.
- El uso inapropiado de la puerta del horno (por ej. Pararse, sentarse o apoyarse en la puerta) puede ocasionar riesgos potenciales y/o daños.
- Cuando instale o retire la cocina para darle mantenimiento, use un carrito deslizante. No empuje ninguno de los bordes de la cocina tratando de sacarla o regresarla a su sitio. Empujar o halar la cocina, en lugar de usar un carrito deslizante, también aumenta la posibilidad de doblar las patas o los conectores.
- Es importante que el electrodoméstico este nivelado para que funcione correctamente. Tal vez sea necesario ajustar las patas para que este nivelado..
- Nunca deje que los niños operen, jueguen o entren dentro del electrodoméstico.
- Instrucciones para electricidad a tierra – El electrodoméstico debe ser instalado y cableado a tierra por un técnico calificado, de acuerdo con el Código Eléctrico Nacional ANSI/NFPA No. 70

- (Edición más reciente) y de acuerdo a los requerimientos eléctricos locales.
- Piezas de repuesto – Solo debe utilizar piezas de reemplazo autorizadas por Avanti para darle mantenimiento a la cocina. Piezas de repuesto están disponibles en los Distribuidores de Fabrica autorizados. Contáctese con el Centro de Servicio de Avanti más cercano a ud.

EL ELEMENTO ANTI-VOLTEO

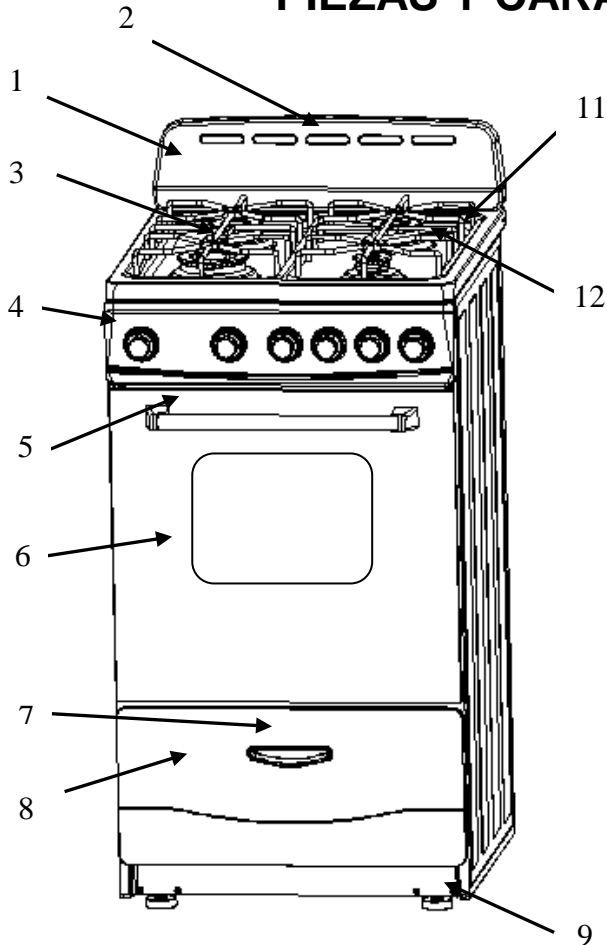
La cocina no se voltea durante el uso normal. Sin embargo la cocina se puede voltear si aplica demasiada fuerza o peso a la puerta abierta. Para evitarlo use y asegure el elemento anti-volteo.

Para reducir el riesgo de voltear el electrodoméstico, este debe ser instalado y asegurado con los elementos anti-volteo incluidos en el paquete de su electrodoméstico.

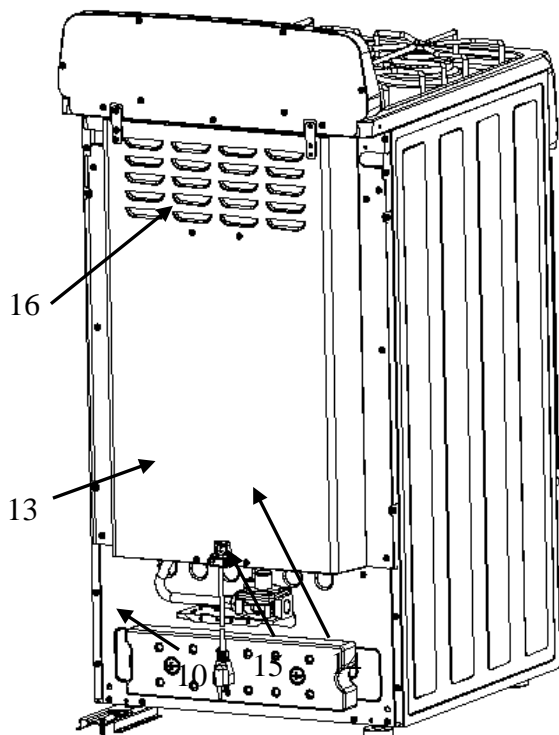
	<div style="text-align: center;">  <h1>ADVERTENCIA</h1> </div> <ul style="list-style-type: none"> • TODAS LAS COCINAS SE PUEDEN VOLTEAR • LA PERSONA PUEDE SUFRIR DAÑOS • UTILICE LOS ELEMENTOS ANTI-VOLTEO EMPACADOS CON LA COCINA • SIGA LAS INSTRUCCIONES DE INSTALACION
 <p>Pata Trasera Anti-volqueo</p>	<p>Asegúrese que el elemento anti-volteo esté instalado:</p> <ul style="list-style-type: none"> • Deslice la cocina hacia adelante. • Verifique que el elemento anti-volteo está asegurado contra el piso. • Deslice la cocina hacia atrás de manera que la pata trasera de la cocina quede debajo del elemento anti-volteo.

ADVERTENCIA: Si la información de este manual no se sigue al pie de la letra, un fuego o explosión podrían ocasionarse, causando daños a la propiedad, daños personales o inclusive muerte.

PIEZAS Y CARACTERISTICAS



1	Panel Anti-salpicaduras
2	Ventilación del horno
3	Hornillas
4	Panel del controles
5	Manija de la puerta del horno
6	Puerta del horno
7	Manija de la gaveta de almacenamiento
8	Gaveta de almacenamiento
9	Patas niveladoras (4)
10	Elemento Anti-volteo
11	Superficie
12	Rejillas (2)
13	Línea de gas
14	Regulador de presión de gas
15	Cordón de electricidad
16	Panel trasero de la unidad.

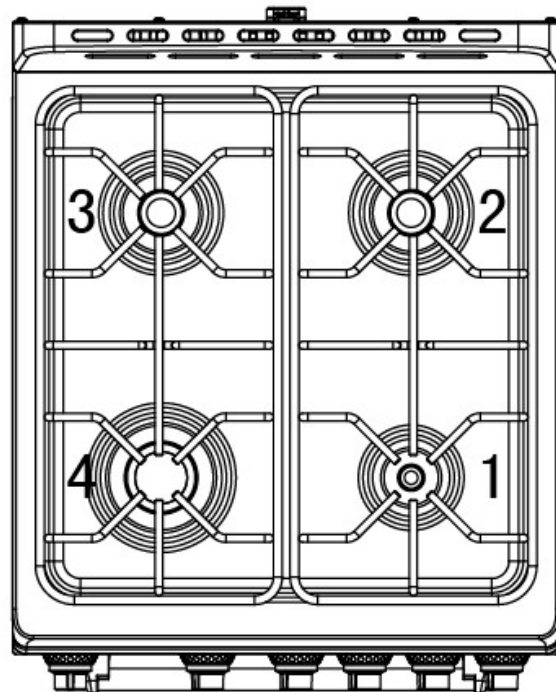


➤ **COCINA**

- 1. Hornilla auxiliar (AUX)
- 2. Hornilla derecha semi-rápida (SR) –
- 3. Hornilla izquierda semi-rápida (SR)
- 4. Hornilla Rápida (R)

Nota:

-El elemento para encender el gas está incorporado a las perillas.



PRECAUCION:

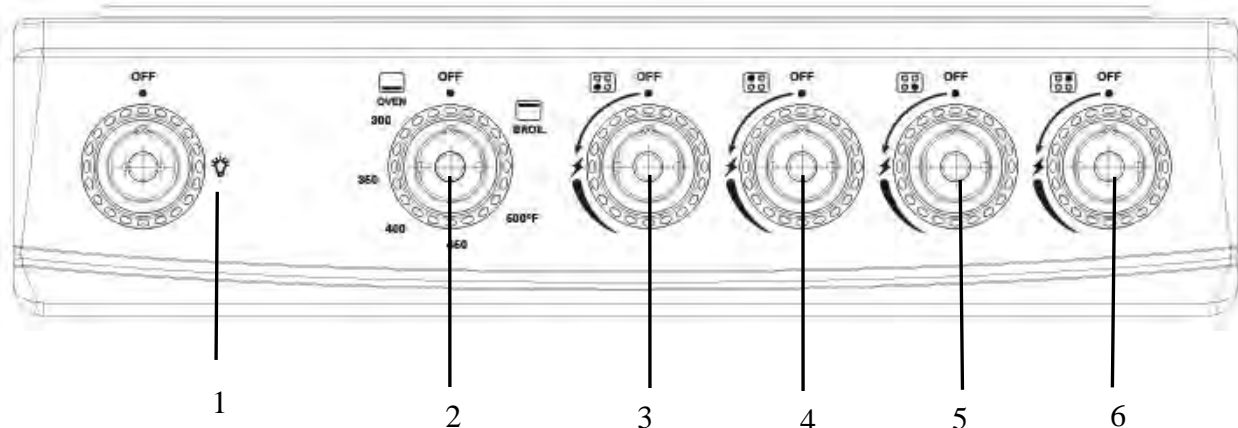
Si la hornilla se apaga por accidente, gire la perilla apagando el gas. Espere por lo menos un minuto antes de tratar de encenderla otra vez.

PRECAUCION:

Los electrodomésticos de gas, producen calor y humedad en el ambiente en el cual son instalados.

Asegúrese que el área donde se cocina esté bien ventilada y siga los códigos de seguridad nacionales y locales.

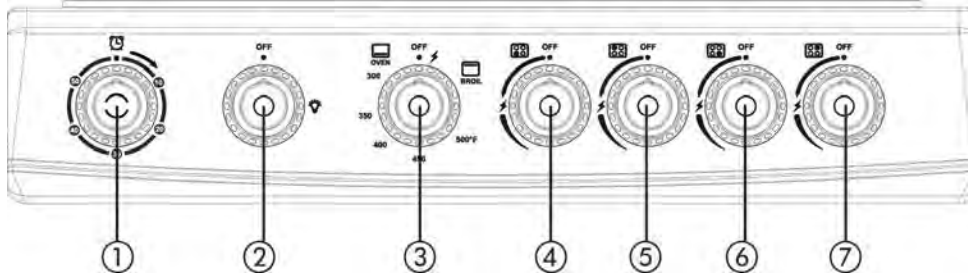
Modelos: GR2011CW / GR2012CB / GR2013CSS



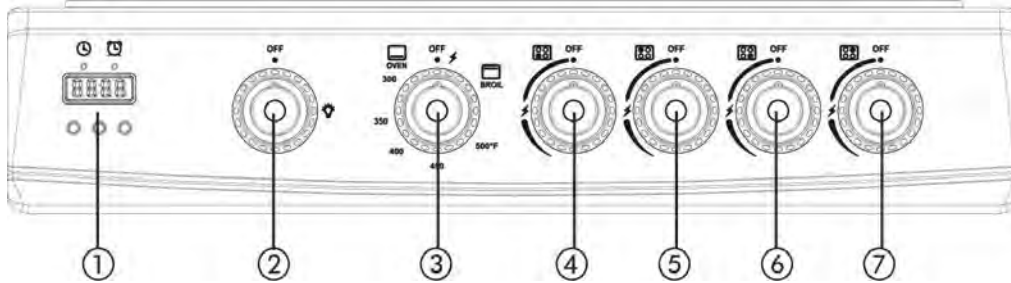
➤ **DESCRIPCION DE LOS CONTROLES**

PERILLAS PARA EL HORNO		PERILLAS PARA LAS HORNILLAS	
1	Interruptor para la luz del horno	3	Hornilla delantera izquierda
2	Control de temperatura del horno	4	Hornilla posterior izquierda
		5	Hornilla posterior derecha
		6	Hornilla delantera derecha

➤ **Modelos: GR2414CW / GR2415CB**



➤ **Modelo: GR2416CSS**



➤ **DESCRIPCION DE LOS CONTROLES**

RELOJ		PERILLAS PARA LAS HORNILLAS	
1	Reloj de cocina – manual Reloj de cocina – digital	4	Hornilla delantera izquierda
PERILLAS PARA EL HORNO		5	Hornilla posterior izquierda
2	Interruptor para la luz del horno	6	Hornilla posterior derecha
3	Control de temperatura del horno	7	Hornilla delantera derecha

Reloj / Contador de tiempo digital

	<p>La primera vez que enchufe la cocina o cuando regrese la electricidad después de un apagón, verá que la pantalla electrónica mostrará 12:00 y oirá una alarma.</p>
	<p>Reloj: Para programar el reloj, apriete el botón SET por 3 segundos, la pantalla mostrará 12:00. Cuando la posición de Hora destelle, ajuste la hora presionando los botones de arriba / abajo. Cuando llegue a la hora correcta presione SET. Repite los mismos pasos para los minutos. Presione SET o espere 5 segundos.</p>
<p>Contador de tiempo para cocinar: Presione el botón SET tres (3) veces, la luz indicadora alumbrará. Presione los botones de arriba / abajo para ajustar el tiempo de cocinar seleccionado (1 – 99 minutos, el default es de 1 minuto) Después de 5 segundos, el conteo regresivo empezará. Una vez que el tiempo seleccionado haya terminado, la luz indicadora se apagará y la alarma sonará 15 veces o hasta que presione algún botón.</p>	
<p>1: Luz indicadora – Reloj 2: Pantalla electrónica 3: Botón - Abajo 4: Botón - Arriba 5: Botón - Programar 6: Luz indicadora – Contador de tiempo</p>	

ANTES DE USAR SU COCINA A GAS

ADVERTENCIA!!



ASEGURESE QUE ESTA COCINA SEA INSTALADA POR UN TECNICO CALIFICADO.

Instalación, ajustes, alteraciones, servicio o mantenimiento inapropiados pueden causar daños personales o a la propiedad. Consulte con un instalador calificado, agencia de servicios o proveedor de gas.

Antes de usar su Cocina a gas

- ✓ Retire el empaque exterior e interior.
- ✓ Retire la película protectora que cubre la superficie de acero y de aluminio.
- ✓ Verifique que tenga las siguientes piezas

Panel posterior anti-salpicaduras	2 rejillas para las hornillas
Paquete de conversión de Gas LP	2 rejillas para el horno
Elemento Anti-volqueo	4 tapas y bases para las hornillas
Regulador	Bandeja para parrilla del horno

- ✓ Limpie la superficie interior con agua tibia usando un trapito suave.
- ✓ Haga que el técnico instalador le enseñe donde está la válvula general para apagar la cocina y como apagarla en caso necesario.
- ✓ Asegúrese que su cocina sea instalada y conectada a tierra correctamente por un técnico instalador calificado que siga las instrucciones de instalación.
- ✓ No intente reparar o reemplazar ninguna pieza de su cocina a no ser que sea específicamente recomendado en este manual.
- ✓ Asegúrese que su cocina esté correctamente ajustada por un técnico instalador calificado, de acuerdo al tipo de gas (natural o LP) que se use.
- ✓ No retire las etiquetas permanentes, advertencias o placas de la cocina. Esto puede eliminar la garantía.
- ✓ El técnico instalador debe dejarle estas instrucciones a ud, por favor reténgalas para uso futuro y para uso del inspector local.
- ✓ Por favor siga todos los códigos de seguridad y ordenanzas nacionales y locales.

Importante:

Este electrodoméstico está diseñado y fabricado solamente para cocinar comida doméstica (en el hogar) y no es apropiado para uso no doméstico, por lo tanto NO se debe usar en un ambiente comercial.

La garantía del electrodoméstico se anula si el electrodoméstico se usa dentro de un ambiente no doméstico, por ej. un ambiente semi comercial, comercial o comunal.

Lea estas instrucciones cuidadosamente antes de instalar y usar su electrodoméstico.

PRECAUCIÓN: este electrodoméstico sólo debe ser instalado en una habitación ventilada permanentemente, de acuerdo a las reglas aplicables.

Se aconseja seguir las siguientes instrucciones:

- ✓ Limpie el interior del horno con un trapito limpio, humedecido con agua y detergente neutral, luego seque cuidadosamente.
- ✓ Coloque las rejillas y bandeja del horno en su lugar.
- ✓ Encienda el horno a la temperatura máxima para eliminar cualquier resto de grasa del CALENTADOR del horno. Haga lo mismo con el CALENTADOR de parrilla.

PRECAUCIONES & RECOMENDACIONES

➤ PRECAUCIONES Y RECOMENDACIONES IMPORTANTES

Después de desempacar su electrodoméstico, verifique que no esté dañado y que la puerta del horno cierre correctamente. En caso de duda, no use la cocina hasta que consulte con su proveedor o técnico profesional calificado.

Los elementos del empaque (por ej. Bolsas plásticas, espuma de polietileno, clavos, cintas plásticas, etc.) no se deben dejar al alcance de los niños ya que estos pueden causar graves daños.

El material de empaque es reciclable y está marcado con el símbolo de reciclaje. 

- ✓ No intente modificar las características técnicas del electrodoméstico ya que esto puede causar peligro a los usuarios.
- ✓ No lleve a cabo operaciones de limpieza o mantenimiento del electrodoméstico sin antes haberlo desconectado de la electricidad.
- ✓ Si decide que no desea usar más este electrodoméstico (o decide substituir un modelo antiguo), antes de deshacerse de él, se recomienda que lo haga de forma que no se pueda utilizar y de acuerdo con las reglas de protección de la salud y del ambiente, asegurándose en particular que todas las piezas riesgosas se hagan inofensivas, especialmente en relación a los niños que pueden jugar con electrodomésticos abandonados.
- ✓ Retire la puerta antes de deshacerse de la cocina para prevenir que niños queden atrapados.
- ✓ Después de cada uso asegúrese que las perillas están en la posición **OFF (apagado)**.
- ✓ No permita que los niños u otras personas no calificadas usen el electrodoméstico sin su supervisión.
- ✓ Durante y después de usar la cocina, algunas partes quedan muy calientes. No las toque.
- ✓ Mantenga a los niños lejos de la cocina cuando la esté usando.
- ✓ **Riesgo de fuego!** No almacene material inflamable dentro del horno o en la gaveta inferior.
- ✓ Asegúrese que los cables eléctricos de otros electrodomésticos cercanos no estén en contacto con la cocina, la placa o que se puedan enredar con la puerta del horno o quedar atrapados dentro del horno.
- ✓ No forre las paredes del horno con papel de aluminio. No coloque estantes, sartenes, bandejas u otros utensilios de cocina en la base del horno.
- ✓ El fabricante declina cualquier responsabilidad de daño a personas o propiedad causado por el uso inapropiado o incorrecto del electrodoméstico.
- ✓ Para evitar cualquier posible riesgo, el electrodoméstico solamente debe ser instalado por un técnico calificado. Cualquier reparación hecha por personas no calificadas puede resultar en choque eléctrico o corto circuito. Para evitar cualquier daño posible a su persona o al electrodoméstico, no intente efectuar reparaciones ud mismo. Ese trabajo debe ser llevado a cabo solamente por personal calificado.
- ✓ **Peligro de quemaduras!** El horno y los accesorios de cocina se calientan mucho durante la operación. Asegúrese que los niños no estén al alcance y adviértales al respecto. Para evitar

quemaduras utilice paños de cocina o guantes cuando deba manipular partes o utensilios calientes.

- ✓ Aléjese de la cocina cuando abra la puerta del horno. El aire caliente o vapor que escapa puede causar quemaduras en las manos, cara u ojos.
- ✓ Nunca limpie el horno con un limpiador de vapor de alta presión ya que puede provocar un corto circuito.
- ✓ Este electrodoméstico es para uso en su hogar, Nunca use el electrodoméstico para otro propósito!

➤ **PRECAUCIONES Y RECOMENDACIONES IMPORTANTES PARA EL USO DE ELECTRODOMESTICOS**

El uso de cualquier electrodoméstico implica la necesidad de seguir una serie de reglas fundamentales.

En particular:

- ✓ Nunca toque el electrodoméstico con las manos o pies mojados;
- ✓ No opere el electrodoméstico descalzo;
- ✓ No permita que los niños o personas incapacitadas usen el electrodoméstico sin su supervisión.

El fabricante declina cualquier responsabilidad de daño a personas o propiedad causado por el uso inapropiado o incorrecto del electrodoméstico.

- Este aparato se puede utilizar con gas LP y gas NG. Se sale de fábrica ajustado para su uso con gas natural (gas natural). Orificios de conversión se incluyen. Siga las instrucciones que viene con los orificios para la conversión de gas.

Orificios de Gas Natural					
Hornilla Auxiliar: 0.8	Hornilla Semi-Rapida 1.07	Hornilla Semi-Rapida 1.07	Hornilla Rapida 1.24	Asador 1.4	Hornilla Horno 1.4
Orificios de Gas LPG					
Hornilla Auxiliar: 0.53	Hornilla Semi-Rapida 0.68	Hornilla Semi-Rapida 0.68	Hornilla Rapida 0.9	Asador 0.8	Hornilla Horno 0.8

➤ INFORMACION GENERAL



ADVERTENCIA!!

1. Este electrodoméstico no se debe usar para calentar la habitación. Esta información está basada en consideración a la seguridad.
 2. La pared detrás de este electrodoméstico y el piso bajo este electrodoméstico deben estar sellados y no tener aperturas.
 3. Mantenga el área del electrodoméstico limpia y libre de materiales combustibles, gasolina, y otros vapores inflamables.
 4. No obstruya el flujo de combustión y ventilación del aire.
 5. Desconecte la fuente de electricidad del electrodoméstico antes de darle servicio de mantenimiento.
 6. Cuando remueva el electrodoméstico para limpieza y/o servicio;
 - A. Cierre el suministro del gas.
 - B. Desconecte la fuente de electricidad AC.
 - C. Desconecte la línea de gas de la tubería de entrada.
 - D. Cuidadosamente retire la cocina halando hacia afuera.
- PRECAUCIÓN: La cocina es pesada; use cuidado en su manejo.**
7. El uso inapropiado de la puerta del horno (por ej. Pararse, sentarse o apoyarse en ella) puede resultar en riesgos potenciales y/o daños.
 8. Cuando instale o retire la cocina para darle mantenimiento, use un carrito deslizante. No empuje ninguno de los bordes de la cocina tratando de sacarla o regresarla a su sitio. Empujar o halar la cocina, en lugar de usar un carrito deslizante, también aumenta la posibilidad de doblar las patas o los conectores.



ADVERTENCIA!!

- **INSTRUCCIONES DE CONEXION ELECTRICA A TIERRA**
- **PARA SEGURIDAD PERSONAL, ESTE ELECTRODOMESTICO DEBE SER CONECTADO A TIERRA CORRECTAMENTE.**

Para su protección contra riesgo de choque eléctrico, este electrodoméstico está equipado con un enchufe de tres puntas para conexión a tierra y debe ser conectado directamente a un enchufe a tierra. No corte o remueva la tercera punta (a tierra) del enchufe.

- **Este cocina requiere un receptáculo/enchufe de pared de tres puntas estándar de 115/120 voltios a.c./60hz.**

De ninguna manera corte o remueva la tercera punta (a tierra) del enchufe. La instalación eléctrica debe cumplir con los códigos locales y nacionales.

PIEZAS DE REEMPLAZO

Solo debe utilizar piezas de reemplazo autorizadas por Avanti para darle mantenimiento a la cocina. Piezas de repuesto están disponibles en los Distribuidores de Fabrica autorizados. Contáctese con el Centro de Servicio de Avanti más cercano a ud.



ADVERTENCIA: MONOXIDO DE CARBONO.

El Monóxido de Carbono es un peligro posible cuando use cualquier electrodoméstico de gas.

Todos los electrodomésticos de gas DEBEN ser instalados por un instalador profesional licenciado, que este familiarizado con los niveles apropiados de Monóxido de Carbón para cada electrodoméstico.

La Asociación Americana de Gas publica las emisiones de CO para electrodomésticos y equipos de calefacción a través del ANSI Std. Z21.1

La Agencia de Protección Ambiental EPA reporta que un nivel máximo de CO de 9 PPM en un período de 24 horas es el nivel estándar para el interior de una residencia.

(Un hogar ventilado apropiadamente tendrá un nivel de CO de menos de 5 PPM.)

ELECTRODOMESTICOS SIN VENTILACION PARA COCINAR A GAS

Para uso residencial por un período de tiempo corto. El CO generado durante la operación se dispersara en el aire de la residencia y movido hacia el exterior a través del flujo de aire normal.

QUÉ HACER SI HUELE A GAS

- **NO INTENTE ENCENDER NINGÚN APARATO**
- **NO TOQUE NINGÚN INTERRUPTOR ELÉCTRICO**
- **NO USE NINGÚN TELÉFONO EN SU EDIFICIO**
- **LLAME INMEDIATAMENTE A SU PROVEEDOR DE GAS DESDE EL TELÉFONO DE UN VECINO**
- **SIGA LAS INSTRUCCIONES DEL PROVEEDOR DE GAS**
- **SI USTED NO PUEDE COMUNICARSE CON SU PROVEEDOR DE GAS, LLAME A LOS BOMBEROS.**

COMO USAR LAS HORNILLAS

➤ HORNILLAS A GAS

El flujo de gas a las hornillas se ajusta al girar las perillas que controlan las válvulas. Girando la perilla para que la línea indicadora apunte a los símbolos marcados en el panel logra las siguientes funciones:

La posición de rotación máxima permite que los líquidos hiervan rápido, mientras que la posición mínima permite cocer a fuego lento.

Para reducir el flujo de gas al mínimo, gire la perilla en sentido contra horario para señalar la posición LO.

Otros ajustes intermedios de operación se pueden lograr al posicionar el indicador entre las posiciones de apertura mínima y máxima, pero nunca entre las posición de apertura máxima y **OFF**.

Cuando la cocina no esté siendo usada, ajuste las perillas a la posición **OFF** y también cierre la válvula general del cierre de gas localizada en la línea de entrada de gas principal.

ENCENDIENDO LAS HORNILLAS DE GAS

Para encender las hornillas ud. debe:

1 – Girar la perilla en sentido contra horario hasta la posición **★HI** (máxima), presione la perilla al mismo tiempo y manténgala presionada hasta que la llama salga. Las chispas producidas por el encendedor situado en la hornilla relativa encenderán la llama.

En caso que las condiciones del suministro de gas dificulte encender la hornilla en la posición de **★HI**, pruebe en la posición **LO**.

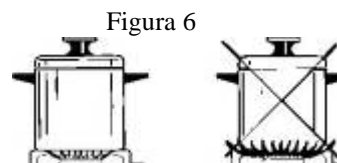
2 – Ajuste la perilla de control a la posición deseada.

Para re-encender la hornilla, retorne la perilla a la posición **OFF** y repita la operación de encendido.

Precaución! La cocina se calienta mucho durante la operación. Mantenga a los niños fuera del alcance.

➤ SELECCIONANDO EL USO DE LAS HORNILLAS (Fig.6)

DIAMETRO DE OLLAS QUE SE PUEDEN USAR EN LAS HORNILLAS		
HORNILLA	MINIMO	MAXIMO
Auxiliar	4" 23/32 (12 cm)	5" 1/2 (14 cm)
Semirápido	6" 19/64 (16 cm)	9" 7/16 (24 cm)
Rápido	9" 7/16 (24 cm)	10" 15/64 (26 cm)
No use ollas con bases cóncava o convexa		



Los símbolos marcados en el panel arriba de las presillas indica la correspondencia entre la perilla y la hornilla

La hornilla más apropiada se debe elegir de acuerdo al diámetro y capacidad volumétrica del recipiente que se va a usar.

Es muy importante que el diámetro de las ollas o sartenes coincida con el de la hornilla para asegurar el funcionamiento eficiente sin tener que desperdiciar gas. Una olla o cacerola pequeña colocada en una hornilla grande no necesariamente quiere decir que los líquidos hervirán más rápido.

Asegúrese que las agarraderas de las ollas o cacerolas no sobrepasen el borde de la cocina, para evitar que se volteen por accidente. Esto también hace más difícil que los niños alcancen las agarraderas de las ollas o cacerolas.



Efecto de Altitud en las hornillas:

Las hornillas de la cocina van desde 3,000 BTU a 8,600 BTU en una instalación de gas natural bajo 2,000 pies sobre el nivel del mar. La fuerza de la hornilla baja un 4% por cada 1000 pies adicionales de altitud.

COMO USAR EL HORNO DE GAS

➤ CARACTERISTICAS GENERALES

El horno viene con dos Calentadores:

- a) Calentador del horno, instalado en la parte baja del horno.
- b) Calentador de parrilla, instalado en la parte alta del horno.

➤ USANDO EL HORNO POR PRIMERA VEZ

Se recomienda seguir estas instrucciones:

- Inserte las rejillas y la bandeja
- Encienda el horno a la temperatura máxima (posición 500) para eliminar posibles rastros de grasa en los Calentadores. Siga la misma operación para el CALENTADOR del horno y para el de la parrilla (perilla en posición BROIL)
- Desconecte la electricidad, deje que el horno enfríe y limpie el interior del horno con un trapito mojado con agua y detergente (neutral), luego seque cuidadosamente.

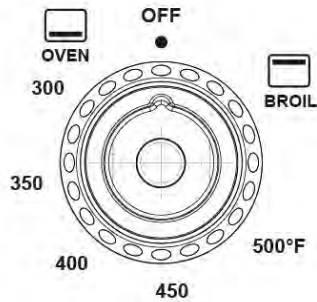
➤ CALENTADOR DEL HORNO

Permite cocción normal del horno.

El flujo de gas al CALENTADOR se regula con un termostato que permite que la temperatura del horno se mantenga constante.

El control de la temperatura se asegura con un termostato localizado en el interior del horno.

El termostato se debe mantener dentro de su cubierta y limpio ya que, estando en la posición incorrecta o acumulando suciedad, podrían alterar el control de temperatura.



TEMPERATURAS DEL HORNO A GAS	
Número marcado en la perilla de Temperatura en °F	Temperatura correspondiente en °C
300	149
350	177
400	204
450	232
500	260

➤ TERMOSTATO DEL HORNO

Los números impresos en el panel de control (fig. 8) indican la temperatura creciente del horno en grados (°F). Para regular la temperatura, gire la perilla hasta que el indicador apunte al grado de temperatura elegido.

La posición BROIL sirve solamente para encender el Calentador en el área de la parrilla.

N.B. Cuando la cocina no se utilizará por largos tiempos, las perillas del panel de control deben estar en la posición **OFF** y también debe cerrar la válvula de gas que se encuentra en la línea de entrada principal de gas.

MUY IMPORTANTE El horno/parrilla siempre se debe usar con la puerta cerrada.

➤ ENCENDIDO DEL CALENTADOR DEL HORNO

El termostato permite el control automático de la temperatura.

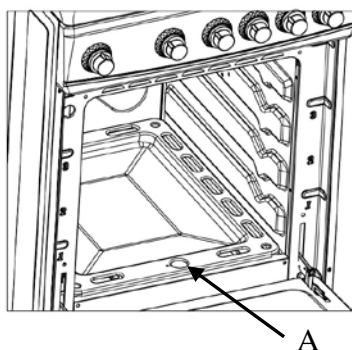
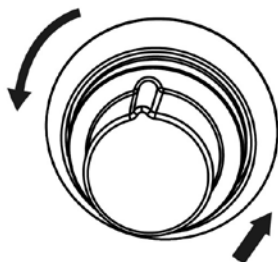
El suministro de gas al calentador del horno se controla con una llave termostática de dos lados (calentador del horno y de la parrilla) con un elemento de llama-falla.

Para encender el calentador del horno siga estos pasos:

1) Abra la puerta del horno completamente.

ADVERTENCIA: Riesgo de explosión! La puerta del horno deber estar abierta durante esta operación.

2) Presione y gire ligeramente la perilla del termostato en sentido anti-horario hasta la posición máxima ó 500°F



3) Presione la perilla girándola hacia la izquierda para iniciar el encendido eléctrico, escuchará un sonido "Click", mantenga la perilla presionada hasta que el calentador del horno se encienda.

En caso que falte la electricidad, presione la perilla e inmediatamente acerque un fósforo encendido a la apertura "A".

Nunca continúe esta operación por más de 15 segundos. Si el calentador aún no ha encendido, espere 1 minuto antes de repetir el encendido.

4) Cuando use el horno por primera vez o después de un largo período sin uso, espere 10/15 segundos después que encienda el calentador y antes de soltar la perilla (tiempo de inicio de la válvula).

5) Cierre la puerta del horno lentamente y ajuste el calentador de acuerdo con la potencia requerida. Si la llama se extingue por cualquier razón, la válvula de seguridad automáticamente apagará el suministro de gas al quemador.

Para re-encender el quemador, primero gire la perilla del horno a la posición **OFF**, espere por lo menos 1 minuto y luego repita la operación de encendido.

Atención: la puerta del horno se calienta mucho durante la operación. Mantenga a los niños fuera de alcance.

➤ COCINANDO EN EL HORNO

Antes de introducir los alimentos, precaliente el horno a la temperatura deseada.

Para una operación de precalentamiento, se recomienda retirar la bandeja del horno e introducirla al mismo tiempo con los alimentos cuando el horno haya llegado a la temperatura deseada.

Verifique el tiempo de cocción y apague el horno 5 minutos antes que se termine el tiempo de cocción para recuperar el calor generado.

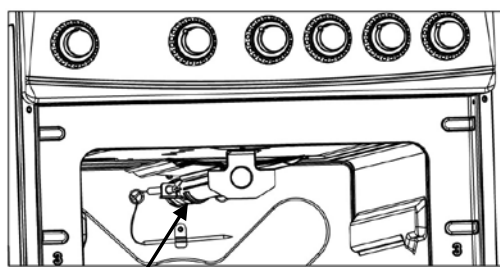
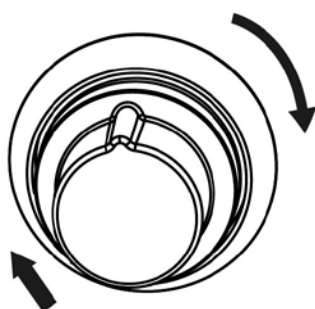
➤ ENCENDIDO DEL CALENTADOR DE LA PARRILLA

El calentador de la parrilla genera rayos infra-rojos para cocinar. Para encender el calentador de la parrilla siga estos pasos:

1) Abra la puerta del horno completamente.

ADVERTENCIA: Riesgo de explosión! La puerta del horno debe estar abierta durante esta operación

2) Presione ligeramente y gire la termostato hacia la izquierda.



A

3) Presione la perilla girándola hacia la izquierda para iniciar el encendido eléctrico, escuchará el sonido "Click", continúe presionando la perilla hasta que el calentador de la parrilla esté encendido.

En caso que se apague, presione la perilla e inmediatamente acerque un fósforo encendido a la apertura "A".

Nunca continúe esta operación por más de 15 segundos. Si el calentador aún no ha encendido, espere 1 minuto antes de repetir el encendido.

4) Cuando use el horno por primera vez o después de un largo periodo sin uso, espere 10/15 segundos después que encienda el calentador y antes de soltar la perilla (tiempo de inicio de la válvula).

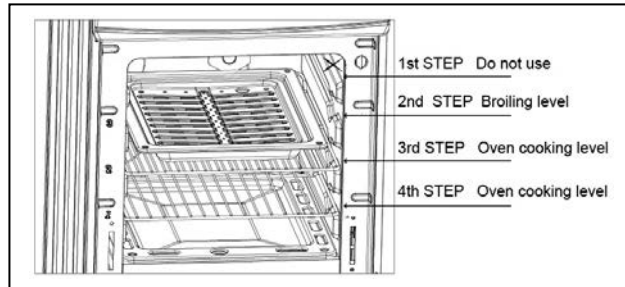
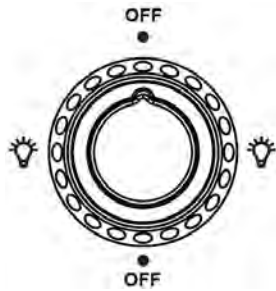
5) Cierre la puerta del horno lentamente y ajuste el calentador de acuerdo con la potencia requerida. Si la llama se extingue por cualquier razón, la válvula de seguridad automáticamente apagará el suministro de gas al quemador.

Para re-encender el quemador, primero gire la perilla del horno a la posición **OFF**, espere por lo menos 1 minuto y luego repita la operación de encendido.

Atención: Siempre use la parrilla con la puerta del horno cerrada. La puerta del horno se calienta mucho durante la operación. Mantenga a los niños fuera de alcance.

➤ LUZ DEL HORNO

La cocina está equipada con una luz que ilumina el horno la cual permite control visual para los alimentos que está cocinando. Esta luz se controla con un botón de presión en el panel de control.



➤ USANDO LA PARRILLA (BROILING)

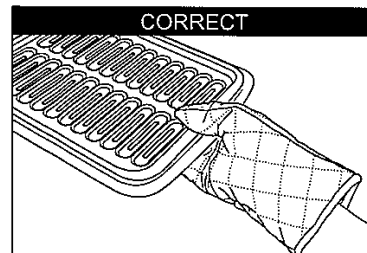
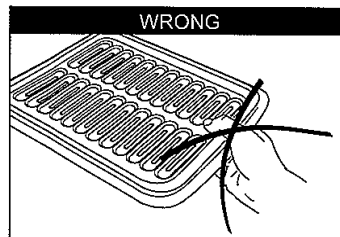
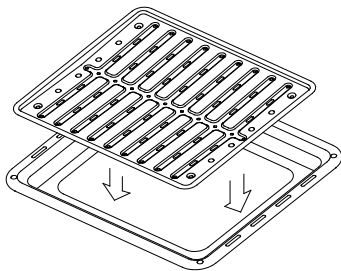
Muy importante: el calentador de la parrilla se debe usar siempre con la puerta del horno cerrada.

Posicione la rejilla en el segundo nivel de arriba hacia abajo.

-Encienda el calentador de la parrilla, tal como explicado en los párrafos anteriores y precaliente el horno por 5 minutos con la puerta del horno cerrada.

-Coloque los alimentos a ser cocinados en la bandeja de cocción.

-Introduzca la bandeja en el horno. La bandeja debe ser colocada sobre la rejilla y debe estar centrada en línea con el calentador de la parrilla.





ADVERTENCIA!!

ADVERTENCIA-NOTA MUY IMPORTANTE

**Nunca obstruya las aperturas de ventilación del panel anti-salpicaduras.
No use la parrilla sin la bandeja de cocción.**

Importante: Siempre use guantes protectores apropiados cuando inserte o remueva la bandeja de parrilla, rejillas, ollas, cacerolas u otros utensilios de cocina en el horno.

Atención: la cocina se calienta mucho durante la operación.

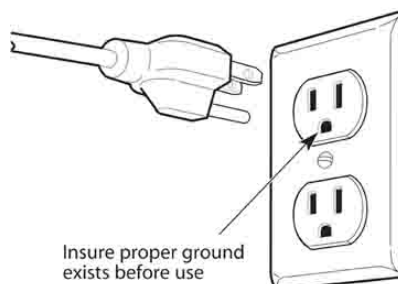
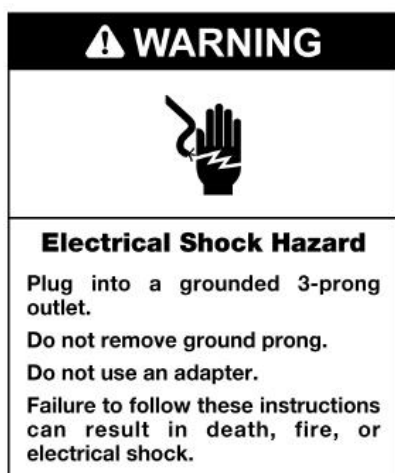
Atención: la puerta del horno se calienta mucho durante la operación.

Mantenga los niños fuera de alcance.

ADVERTENCIA: La puerta está caliente, use la manija.

CUIDADO Y MANTENIMIENTO

➤ RECOMENDACIONES GENERALES



Receptáculo polarizado de 3 puntas conectado a tierra.

ADVERTENCIA:

Riesgo de choque eléctrico

Enchufe a un receptáculo de 3 puntas conectado a tierra.

No remueva la tercera punta del enchufe.

No use un adaptador.

Fuego, choque eléctrico o muerte pueden resultar de no seguir estas instrucciones.

Importante: Antes de cualquier operación de limpieza y mantenimiento desconecte el electrodoméstico de la corriente eléctrica.

Se recomienda limpiar cuando el electrodoméstico esté frío, especialmente cuando limpie las partes esmaltadas.

Evite dejar sustancias alcalinas o ácidas (jugo de limón, vinagre, etc.) en las superficies.

Evite usar productos de limpieza con base de cloro o ácida.

El horno siempre debe ser limpiado después de cada uso, usando productos apropiados y teniendo en cuenta que operar la cocina por 30 minutos a la temperatura máxima elimina la mugre reduciéndola a cenizas.

➤ PARTES ESMALTADAS

Todas las partes esmaltadas deben ser limpiadas con una esponja y agua jabonosa solamente o con otros productos no abrasivos.

De preferencia, seque con una gamusa.

Si sustancias ácidas tales como jugo de limón, tomate en conserva, vinagre, etc se dejan en la superficie esmaltada por un período largo, esta se quemará tornándose opaca.

➤ ELEMENTOS DE ACERO INOXIDABLE

Las partes de acero inoxidable deben ser enjuagadas con agua y secadas con un trapo limpio o con una gamusa.

Para suciedad persistente, use un producto comercial específico no abrasivo o vinagre caliente.

Nota: Uso regular puede causar descoloración alrededor de las hornillas debido a la alta temperatura de la llama.

➤ DENTRO DEL HORNO

Esto se debe limpiar regularmente, Con el horno tibio, limpie las paredes internas con un trapito mojado en agua jabonosa muy caliente u otro producto similar.

➤ VALVULAS DE GAS

En el caso que haya fallas en las válvulas de gas, llame al Departamento de Servicio.

NOTA: El bombillo del horno no está cubierto por la garantía.



No use limpiadores de vapor de alta presión porque la humedad se puede infiltrar dentro del electrodoméstico volviéndolo peligroso.

ADVERTENCIA MUY IMPORTANTE:

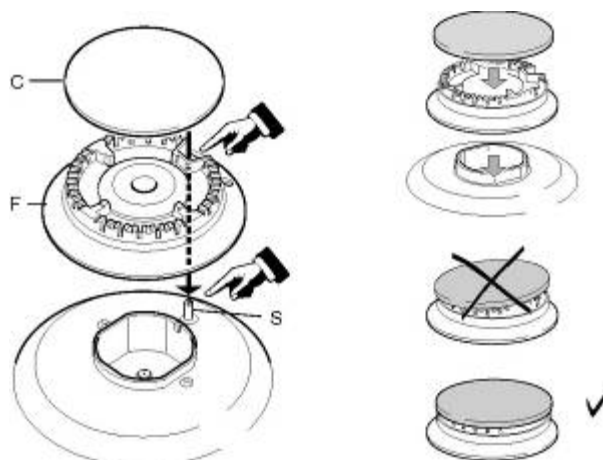
Antes de cualquier operación de mantenimiento, desconecte el horno de poder/energía o electricidad.

➤ HORNILLAS Y REJILLAS

- ✓ Estas partes se pueden remover y limpiar con los productos apropiados.
- ✓ Después de limpiarlas, seque bien las hornillas y las tapitas distribuidoras de la llama y colóquelas nuevamente en su sitio
- ✓ Es muy importante verificar que la tapita distribuidora de llama sea colocada correctamente – de lo contrario podría causar serios problemas.
- ✓ En electrodomésticos con encendido eléctrico, mantenga el electrodo limpio para que las chispas siempre salgan.
- ✓ **Nota: Para evitar daño al sistema de encendido eléctrico, no lo use cuando las hornillas no estén en su lugar.**

REEMPLAZO CORRECTO DE LAS HORNILLAS

Es muy importante verificar que la hornilla propagadora de la llama “F” y la tapita “C” sean posicionadas correctamente. De no hacerlo así, podría ocasionar serios problemas.



En electrodomésticos con encendido eléctrico, verifique que el electrodo “S” esté siempre limpio para asegurar producción de chispas sin problemas.

El enchufe de encendido debe ser limpiado cuidadosamente.

➤ **INSTALACION Y RETIRO DE LA REJILLA DEL HORNO**

Las rejillas del horno vienen con un bloqueo de seguridad para evitar que se saquen del horno por accidente.

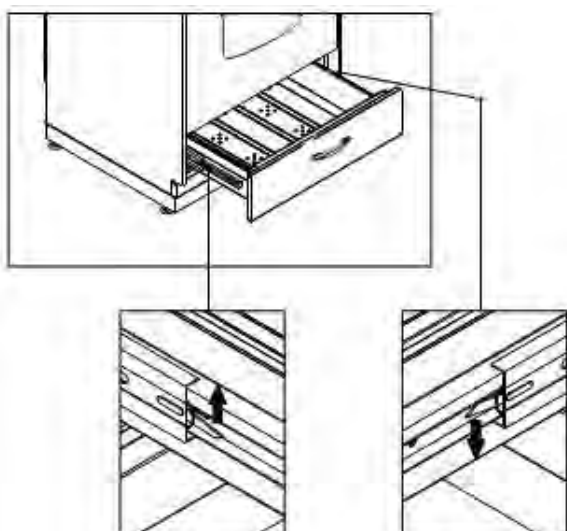
Para sacarlas hálela hacia fuera y arriba.

Asegúrese de insertarlas correctamente.

Figura 22



➤ **GAVETA DE ALMACENAJE REMOVIBLE**

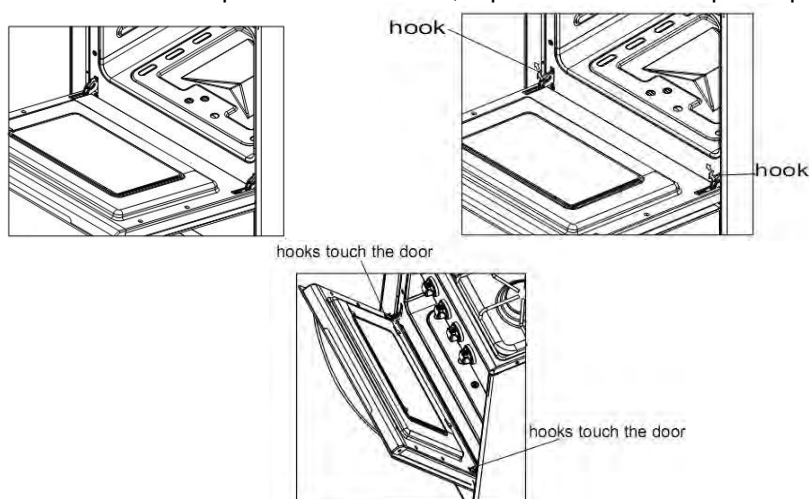


La gaveta se usa como cualquier otra gaveta. Para sacarla, hálela hacia afuera y arriba.

No almacene materiales inflamables en el horno o en la gaveta de almacenaje.

➤ SACANDO LA PUERTA DEL HORNO

- Para facilitar la limpieza del horno se puede remover la puerta. Por favor siga estas instrucciones cuidadosamente:
- La puerta del horno se puede sacar muy fácilmente siguiendo estas instrucciones:
- Abra la puerta completamente. (Figura 1)
- Levante los ganchos de ambos lados de las bisagras. (Figura 2)
- Mantenga la puerta tal como se indica en la Figura.
- Suavemente cierre la puerta y levántela con las dos manos cuando los ganchos toquen la puerta.
- Saque los ganchos superiores de las bisagras
- Coloque la puerta en una superficie suave y plana.
- Para colocar la puerta nuevamente, repita estos mismos pasos pero en orden reverso.



➤ REEMPLAZANDO LA LUZ DEL HORNO

Antes que se efectúe cualquier mantenimiento de partes eléctricas del electrodoméstico, asegúrese que esté desenchufado de la fuente de poder/energía o electricidad.

- Deje que el horno y los calentadores de parrilla y del horno se enfríen.
- Apague el suministro de electricidad.
- Retire la cubierta protectora.
- Desenrosque y reemplace el bombillo con uno nuevo que resista altas temperaturas (200°C ~ 550°F) y que tenga estas especificaciones: 120V 60Hz, 15W, E14.
- Reemplace la cubierta plástica.

NOTA: El reemplazo del bombillo del horno no está cubierto bajo la garantía.

➤ NIVELANDO LA COCINA

La cocina debe estar nivelada para que funcione correctamente. Las cuatro patas niveladoras con tornillos ajustables que están en las esquinas inferiores de la cocina se deben ajustar girándolas en sentido horario para levantar la cocina o en sentido anti-horario para bajarla hasta que esté nivelada.

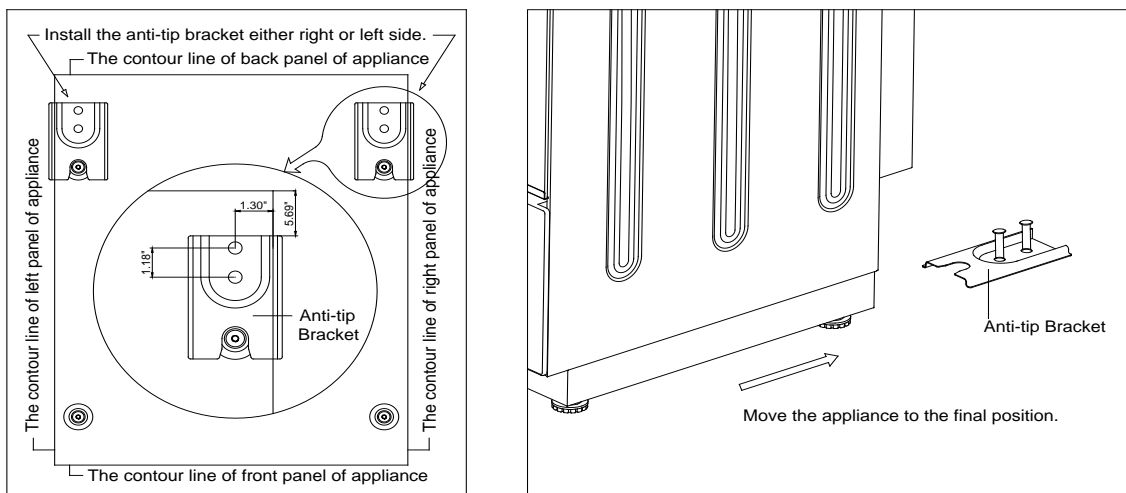
Use una herramienta que mide el nivel para verificar que la cocina esté nivelada.

➤ INSTALACION DEL ELEMENTO ANTI-VOLTEO

Para reducir el riesgo que la cocina se voltee debido a uso indebido de esta o de la puerta del horno, la cocina debe ser asegurada a su sitio instalando correctamente el elemento anti-volteo empacado con el electrodoméstico.

- Coloque el elemento anti-volteo en el piso tal como se muestra en la figura. El elemento anti-volteo se puede instalar en el lado izquierdo o derecho.
- Marque en el piso el lugar donde van los dos orificios del elemento anti-volteo.
- Utilice un taladro con una punta de 5/16" para albañilería e inserte el ancla de plástico.
- Asegure el elemento anti-volteo al piso usando los tornillos incluidos en el paquete.
- Deslice el electrodoméstico para encajarlo con el elemento anti-volteo.

NOTA: Si la cocina luego es movida de sitio, el elemento debe ser removido e instalado en el nuevo lugar designado para la cocina.



Instale el elemento anti-volteo en el dado izquierdo o derecho cerca de la parte posterior del electrodoméstico

Deslice la cocina hacia la posición final.

SÉCURITÉ RANGE

Votre sécurité et celle des autres sont très importantes.

Nous avons fourni de nombreux messages de sécurité importants dans ce manuel et sur votre appareil. Toujours lire et respecter les consignes de sécurité.



C'est le symbole d'alerte de sécurité.

Ce symbole vous signale les dangers potentiels qui peuvent tuer ou blesser vous et d'autres. Tous les messages de sécurité suivront le symbole de danger et soit les mots "DANGER", "AVERTISSEMENT" ou "ATTENTION". Ces mots signifient:



Danger signifie que le non-respect de cette déclaration de sécurité peut entraîner des blessures ou la mort.



Attention signifie que le non-respect de cette déclaration de sécurité peut entraîner des dommages importants du produit, des blessures graves ou la mort.



Attention signifie que le non-respect de cette déclaration de sécurité peut entraîner des blessures mineures ou modérées, ou des biens ou des dommages matériels.

Tous les messages de sécurité vous avertissent quel est le danger potentiel et vous disent comment réduire le risque de blessure, et vous permettent de savoir ce qui peut arriver si les instructions ne sont pas suivies.

DANS LE COMMONWEALTH DU MASSACHUSETTS

- Ce produit doit être installé par un plombier ou un installateur de gaz agréé.
- Lors de l'utilisation des vannes de gaz d'arrêt de type ballon, ils sont le type T-manche.
- Un connecteur de gaz flexible, lorsqu'il est utilisé, ne doit pas dépasser 3 pieds de longueur.

AVANT DE COMMENCER!

L'installation de cette cuisinière doit être conforme à tous les codes locaux, ou en l'absence de codes locaux, avec le Code National Fuel Gas, ANSI Z223.1 / NFPA.54, dernière édition. Au Canada, le code d'installation CAN / CGA-B149.1 ou le code actuel d'installation du propane, CAN / CGA-B149.2, et aux codes locaux le cas échéant.

AVANT L'INSTALLATION

NE PAS utiliser un rideau d'air ou autre hotte aérienne, qui fonctionne en soufflant un flux d'air vers le bas sur une plage, en conjonction avec une cuisinière à gaz, sauf le capot et la gamme ont été conçus et testés et par un laboratoire indépendant, conformément à la norme pour Domestic cuisinières à gaz, ANSI Z21.1 • CSA 1.1 pour une utilisation combinée. Les instructions d'installation à la fois pour la gamme de gaz et rideau d'air capot doivent comporter les états que le rideau d'air ou de la gamme de tête capot est autorisé à être utilisé en conjonction avec une cuisinière à gaz, et que les deux unités ont été conçus et testés conformément à la norme pour les cuisinières à gaz domestiques, ANSI Z21.1 • CSA 1.1 pour une utilisation combinée. Acheteur / installateur doit examiner les instructions d'installation pour chaque unité pour assurer leur gamme est acceptable pour une utilisation avec un tel système de ventilation.

Installation dans manufacturated (Mobile) Homes:

L'installation doit être conforme à la construction résidentielle et de la sécurité norme Fabriqué, Titre 24 CFR, Part 3280 [anciennement Norme fédérale de construction résidentielle et de la sécurité, Titre 24, HUD (partie 280)} ou, lorsque cette norme est pas applicable, norme pour Préfabriquée Installations, ANSI / NCSBCS A225.1, ou des codes locaux, le cas échéant.

SÉCURITÉ IMPORTANT



Avant de l'appareil est utilisé, il doit être correctement positionné et installé comme décrit dans ce manuel, afin de lire attentivement le manuel. Pour réduire le risque d'incendie, de choc électrique ou de blessure lors de l'utilisation de l'appareil, suivez les précautions de base, y compris les suivantes:



- Il est recommandé qu'un circuit séparé, qui sert uniquement de votre appareil sera fourni. Utilisez des récipients qui ne peuvent être désactivés par une chaîne de commutateur ou traction.
- Jamais pièces d'appareils de nettoyage avec des liquides inflammables. Ces émanations peuvent provoquer un risque d'incendie ou d'explosion. Et ne pas stocker ou utiliser de l'essence ou d'autres vapeurs et liquides inflammables à proximité de cet ou tout autre appareil. Les émanations peuvent provoquer un risque d'incendie ou d'explosion.
- Avant de procéder à des opérations de nettoyage et d'entretien, assurez-vous que la ligne d'alimentation de l'appareil est débranché.
- Débranchez l'appareil ou couper le courant avant le nettoyage ou l'entretien. Ne pas le faire peut entraîner un choc électrique ou la mort.
- Ne pas tenter de réparer ou remplacer toute pièce de votre appareil à moins qu'il ne soit spécifiquement recommandé dans ce manuel. Tout autre entretien doit être confié à un technicien qualifié.



AVERTISSEMENT: Si les renseignements dans ce manuel ne sont pas suivies à la lettre, un incendie ou une explosion entraînant des dommages matériels, des blessures ou la mort.


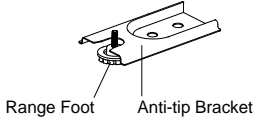
- Cet appareil ne doit pas être utilisé pour le chauffage de l'espace. L'unité de surface ne doit pas être utilisé sans récipient. Cette information est fondée sur des considérations de sécurité.
- Toutes les ouvertures dans le mur derrière l'appareil et dans le sol sous l'appareil doivent être scellés.
- Garder la zone de l'appareil libre de matériaux combustibles, essence et autres vapeurs inflammables.
- Ne pas obstruer le flux d'air de ventilation.
- Débranchez l'alimentation électrique de l'appareil avant l'entretien.
- Lors du retrait de l'appareil pour le nettoyage et / ou d'un service:
 - Débranchez l'alimentation secteur.
 - Retirez délicatement la gamme en tirant vers l'extérieur.
- **MISE EN GARDE:** Range est lourd. Faites attention à la manipulation.
- L'utilisation abusive de la porte du four (par exemple, marcher, assis, ou de se pencher sur eux) peut entraîner des risques et / ou entraîner des blessures.
- Lors de l'installation ou de retirer la gamme de service, une prise de vie de roulement doit être utilisé. Ne poussez pas contre l'un des bords de la plage dans une tentative pour la faire glisser dans ou hors de l'installation. Poussant ou en tirant une gamme (plutôt que d'utiliser un vérin de levage) augmente également la possibilité de plier les broches dans les jambes ou les connecteurs de couplage internes.
- Il est important pour l'appareil soit à niveau afin de fonctionner correctement. Vous pouvez avoir besoin de faire plusieurs ajustements pour y arriver.
- Ne jamais laisser les enfants utiliser, jouer avec ou ramper à l'intérieur de l'appareil.
- Mise à la terre électrique - L'appareil doit être installée et mise par un technicien qualifié en conformité avec le National Electrical Code ANSI / NFPA n ° 70 (dernière édition) et les exigences locales de code de l'électricité.

- Pièces de rechange - Seules les pièces de rechange autorisées peuvent être utilisées dans l'exécution de service sur la plage. Les pièces de rechange sont disponibles auprès des distributeurs de pièces autorisés. Contactez le centre de service le plus proche Avanti dans votre région.

LE SUPPORT ANTI-BASCULEMENT

La cuisinière ne bascule pas pendant une utilisation normale. Cependant, la gamme peut basculer si vous appliquez trop de force ou de poids à la porte ouverte sans le support anti-renversement convenablement fixée.

Pour réduire le risque de basculement de l'appareil, l'appareil doit être fixé par des dispositifs installés correctement anti-renversement inclus avec l'appareil.

	<div data-bbox="927 517 1038 618" style="text-align: center;"></div> <h3 style="text-align: center;">AVERTISSEMENT</h3> <ul style="list-style-type: none">• TOUS les cuisinières peuvent basculer• ATTEINTES AUX PERSONNES PEUT PROVOQUER• INSTALLER DISPOSITIF ANTI-TIP EMBALLÉE AVEC GAMME• Voir notice de montage
 <p>Range Foot Anti-tip Bracket</p>	<p>Faire en sorte que le support anti-basculement est installé:</p> <ul style="list-style-type: none">• La faire glisser vers l'avant.• Vérifier que la bride antibasculement est bien fixée au plancher.• Glisser de retour afin pied arrière de la cuisinière est sous la bride antibasculement.

WARNING: IF THE INFORMATION IN THIS MANUAL IS NOT FOLLOWED EXACTLY, A FIRE OR EXPLOSION MAY RESULT CAUSING PROPERTY DAMAGE, PERSONAL INJURY, OR DEATH.

- ✓ Do not store or use gasoline or other flammable vapors and liquids in the vicinity of this or any other appliance.
- ✓ **WHAT TO DO IF YOU SMELL GAS:**
 - Do not try to light any appliance.
 - Do not touch any electrical switch; do not use any phone in your building.
 - Immediately call your gas supplier from a neighbor's phone. Follow the gas supplier's instructions.
 - If you cannot reach your gas supplier, call the fire department.
- ✓ Installation and service must be performed by a qualified installer, service agency, or the gas supplier.

AIDEZ-NOUS VOUS AIDER ...

Lisez attentivement ce guide.

Il est destiné à vous aider à utiliser et entretenir votre nouveau Range gaz correctement.

Gardez à portée de main pour répondre à vos questions.

Si vous ne comprenez pas quelque chose ou vous avez besoin de plus d'aide, s'il vous plaît appelez:

**Avanti Service à la clientèle
800-220-5570**

Conserver une preuve de la date d'achat originale (comme votre ticket de caisse) avec ce guide pour établir la période de garantie.

Notez le modèle et les numéros de série.

Vous les trouverez sur une plaque située sur la paroi de fond avant de la cuisinière à gaz.

S'il vous plaît écrire ces chiffres ici:

Date d'achat

Numéro de modèle

Numéro de série

Utilisez ces numéros dans toute correspondance ou services appels concernant votre gamme de gaz.

Si vous avez reçu une cuisinière à gaz endommagée, contactez immédiatement le revendeur (ou le constructeur) qui a vendu l'vous Gaz Gamme.

Gagnez du temps et de l'argent. Avant d'appeler le service, consultez le Guide de dépannage. Il répertorie les causes des problèmes de fonctionnement mineurs que vous pouvez vous corriger.

SI VOUS AVEZ BESOIN DE SERVICE

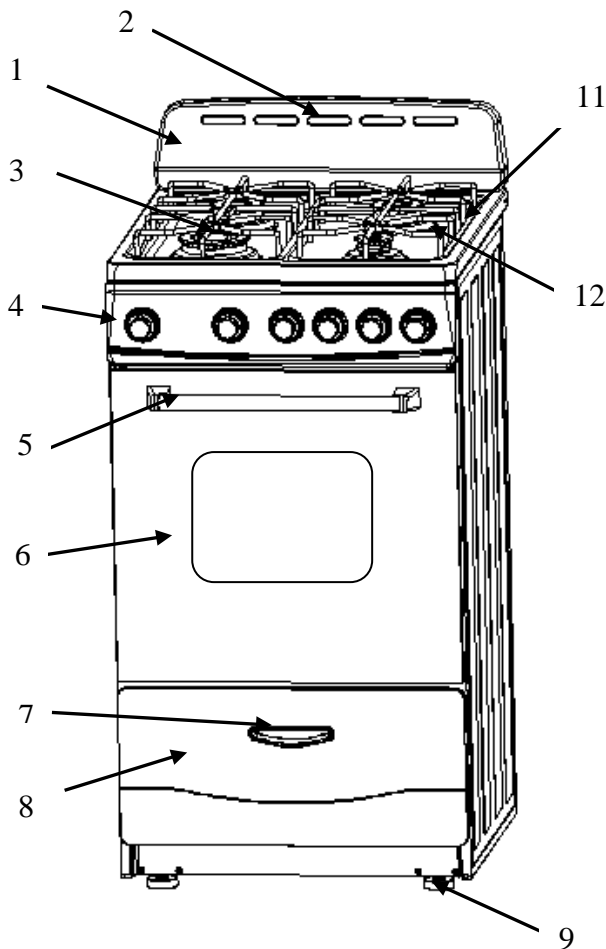
Nous sommes fiers de notre service et voulons que vous soyez heureux. Si pour quelque raison vous n'êtes pas heureux avec le service que vous recevez, voici quelques étapes à suivre pour obtenir de l'aide.

PREMIER, communiquez avec les gens qui ont réparé votre cuisinière à gaz. Expliquez pourquoi vous n'êtes pas satisfait. Dans la plupart des cas, cela va résoudre le problème.

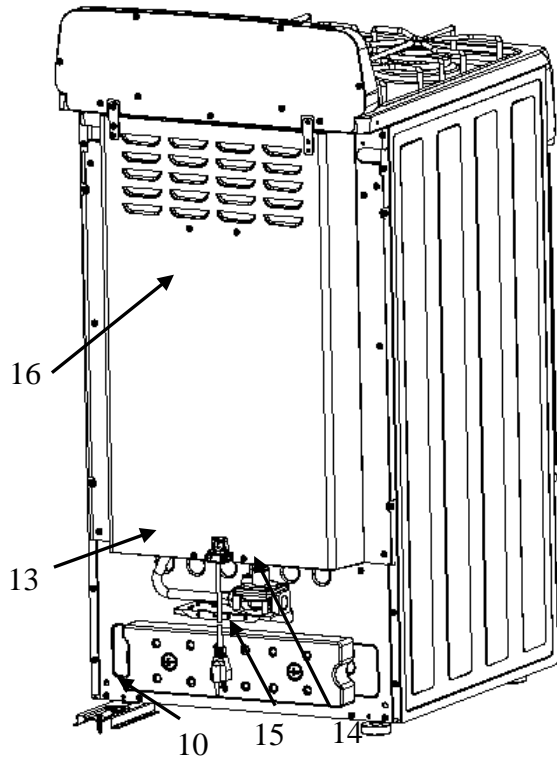
Ensuite, si vous n'êtes toujours pas satisfait, écrire tous les détails, y compris votre numéro de téléphone, et l'envoyer à:

**Service Clients
Avanti Products
10880 NW 30 Street
Miami, FL 33172**

PIÈCES ET CARACTÉRISTIQUES



1	Dosseret
2	Vent Four
3	Brûleurs scellés (Total 4)
4	Panneau de contrôle
5	Poignée de la porte
6	Porte du four
7	Poignée de tiroir
8	Tiroir
9	Pieds de nivellement (Total 4)
10	Support anti-basculement
11	Table de cuisson
12	Supports de casserole (Total 2)
13	Tuyau d'entrée
14	Régulateur
15	Cordon d'alimentation
16	Plaque arrière



CUISSON

BTU / h Notes		20 "	24 "
1	Auxiliaire	2,800	2500
2	Droit Semi-rapide	4600	4300
3	Gauche semi-rapide	4600	4300
4	Rapide	8800	8000

Note:

-Le Dispositif gaz-éclairage électrique est incorporé dans les boutons.

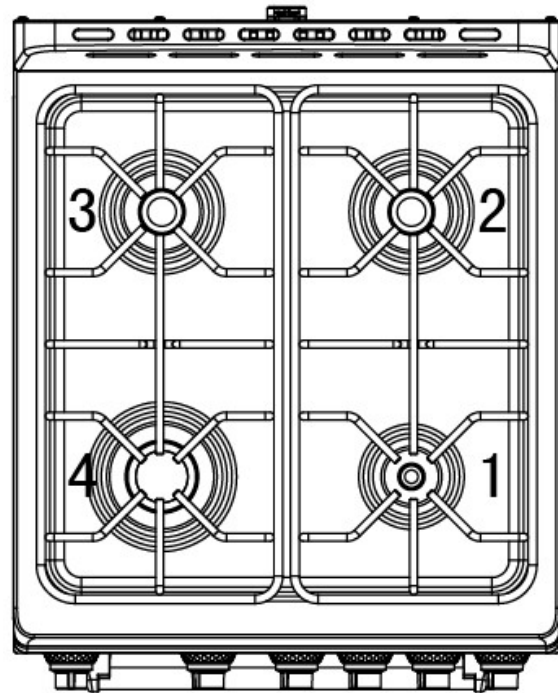
MISE EN GARDE:

Si le brûleur est accidentellement éteint, coupez le gaz au bouton de commande et attendez au moins 1 minute avant de tenter de rallumer.

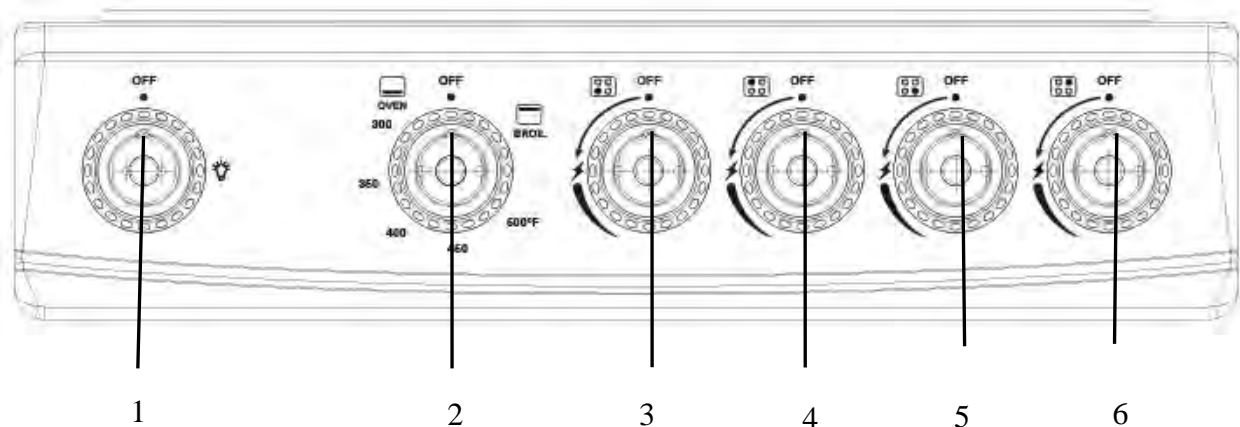
MISE EN GARDE:

Les appareils à gaz produisent de la chaleur et de l'humidité dans l'environnement dans lequel ils sont installés.

Assurez-vous que la zone de cuisson est bien ventilée suivant les codes nationaux / locaux.



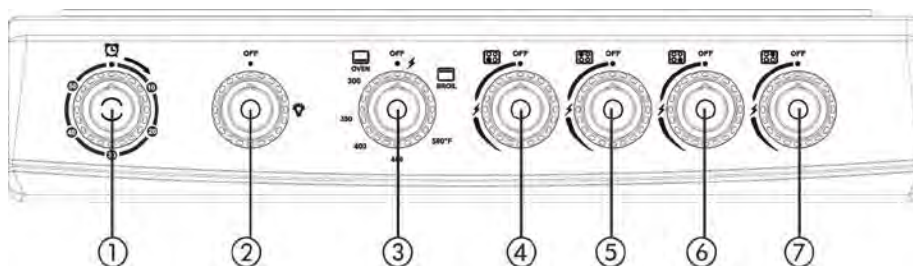
➤ PANNEAU DE CONTRÔLE Modèles: GR2011CW / GR2012CB / GR2013CSS



Commandes du four		Contrôle Table de cuisson	
1	Four Lumière ON / OFF Bouton	3	Brûleur avant à gauche le bouton de commande
2	Bouton de commande du four de la température	4	Arrière gauche bouton de commande du brûleur
		5	Avant droit Brûleur bouton de commande
		6	Arrière droit Brûleur bouton de commande

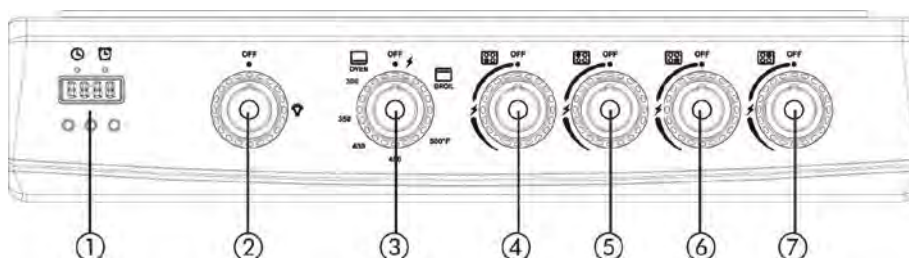
➤ **PANNEAU DE CONTRÔLE**

Modèles: GR2414CW / GR2415CB



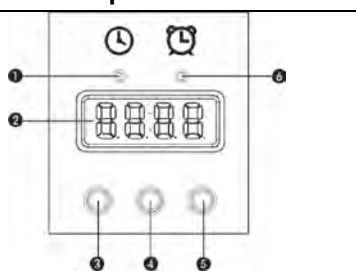
Minuterie de cuisine		Contrôle Table de cuisson	
1	Manuel minuterie de cuisine	4	Brûleur avant à gauche le bouton de commande
Commandes du four		5	Arrière gauche bouton de commande du brûleur
2	Four Lumière ON / OFF Bouton	6	Avant droit Brûleur bouton de commande
3	Bouton de commande du four de la température	7	Arrière droit Brûleur bouton de commande

➤ Modèle: GR2416CSS



Minuterie de cuisine		Contrôle Table de cuisson	
1	Numérique minuterie de cuisine	4	Brûleur avant à gauche le bouton de commande
Commandes du four		5	Arrière gauche bouton de commande du brûleur
2	Four Lumière ON / OFF Bouton	6	Avant droit Brûleur bouton de commande
3	Bouton de commande du four de la température	7	Arrière droit Brûleur bouton de commande

Numérique minuterie de cuisine



- 1: Témoin Heure
- 2: Affichage numérique
- 3: Bouton Down
- 4: Up Button
- 5: Set/Cesser de Bouton
- 6: Cuire Indicateur de compteur

Lorsque vous branchez pour la première dans la gamme ou la puissance est de retour après 10 heures vous verrez 12h00 dans l'affichage et une tonalité d'alarme.

Horloge:
 Pour régler l'horloge, appuyez et maintenez le SET bouton pour une seule fois, l'indicateur de l'horloge lumière, lorsque la position heures clignote réglez l'heure en appuyant sur le haut ou bouton enfoncé, appuyez sur SET quand cela est fait répéter les étapes pour les minutes et appuyez sur SET à entrer dans le réglage minuterie de cuisson ou tout simplement confirmer par attendez 5 secondes.

Minuterie:
 Appuyez sur le bouton SET trois fois et le cuisinier minuterie Indicateur lumière. Appuyez sur le haut ou DOWN pour choisir la mise à part cuisinier-temps (1 - 99 minutes, par défaut est 1 minutes). Après 5 secondes, le Réglage sera confirmé et le compte à rebours commence.
 Une fois le temps sélectionné est écoulé, le voyant sera éteint et l'alarme sonnera 15 fois ou jusqu'à ce qu'un bouton est pressé.

AVANT D'UTILISER VOTRE CUISSINIER



AVERTISSEMENT!!

AVOIR cette gamme installé par un installateur qualifié.

Installation, un réglage, une altération, des services, ou l'entretien peuvent causer des blessures ou des dommages matériels. Consultez un installateur qualifié, une agence de service ou le fournisseur de gaz.

➤ Avant d'utiliser votre gamme de gaz

- ✓ Retirer l'emballage extérieur et intérieur.
- ✓ Retirez le film de protection sur les pièces d'acier et d'aluminium
- ✓ Vérifiez que vous avez toutes les pièces ci-dessous
 - 1 Dossieret
 - Packet conversion au gaz propane(injecteurs pour le gaz LP, 6pcs)
 - 1 Bride antibasculement
 - 2 Pan supports
 - 2 La grille du fours
 - 4 Caps et des bases dans l'ensemble du brûleur
 - 1 poulet de chair Grille
 - 1 Plateau de poulet de chair
 - 1 Régulateur(Pré-installé)
 - 5 Vis pour dossieret
 - 1 Mode d'emploi
 - Manuel d'installation 1
- ✓ Nettoyer la surface intérieure à l'eau tiède avec un chiffon doux
- ✓ Avoir l'installateur de vous montrer l'emplacement de la vanne d'arrêt de gaz de la gamme et la façon de l'éteindre si nécessaire.
- ✓ Demandez à votre gamme installé et correctement mis à la terre par un installateur qualifié en conformité avec les instructions d'installation.
- ✓ Ne pas tenter de réparer ou de remplacer une partie de votre gamme à moins qu'il ne soit spécifiquement recommandé dans ce manuel.
- ✓ Assurez-vous que votre gamme est correctement ajusté par un technicien de service ou un installateur qualifié pour le type de gaz (naturel ou propane) qui est utilisé.
- ✓ Ne pas retirer définitivement les étiquettes apposées, les avertissements ou les plaques du produit. Cela peut annuler la garantie.
- ✓ L'installateur doit laisser ces instructions au consommateur qui les conservera pour l'utilisation de l'inspecteur local et pour référence future.
- ✓ S'il vous plaît respecter tous les codes et règlements locaux et nationaux.

➤ **Important:**

Cet appareil est conçu et fabriqué uniquement pour la cuisson de domestique (ménage) la nourriture et ne convient pas pour toute application non-domestique et ne peut donc pas être utilisé dans un environnement commercial.

La garantie de l'appareil sera nulle si l'appareil est utilisé dans un environnement non domestique-à-dire un environnement commercial, commercial ou communautaire demi.

Lisez attentivement les instructions avant d'installer et d'utiliser l'appareil.

ATTENTION: cet appareil ne doit être installé dans un local ventilé en permanence en conformité avec les règlements applicables.

Il est conseillé de suivre ces instructions:

- ✓ Nettoyez l'intérieur du four avec un chiffon propre imbibé d'eau et de détergent (neutre, puis séchez soigneusement).
- ✓ Fournir à l'intérieur du four par l'insertion, les étagères et bac.
- ✓ Tourner le four à la température maximale à éliminer les éventuelles traces de graisse du brûleur du four. La même opération devrait être suivie pour le brûleur du gril.

** NOTE **


Cet appareil peut être utilisé avec du gaz propane et le gaz NG. Il est expédié de l'usine ajustés pour une utilisation avec NG (gaz naturel). Orifices de conversion sont incluses. Suivez les instructions emballées avec les orifices pour la conversion de gaz.

Naturelles orifices gaz					
Auxiliaire Brûleur:	Brûleur semi-rapide:	Semi-rapide Brûleur:	Brûleur rapide:	Griller Burner:	Four Brûleur:
0,8	1.07	1.07	1,24	1.4	1.4
GPL orifices					
Auxiliaire Brûleur:	Brûleur semi-rapide:	Semi-rapide Brûleur:	Brûleur rapide:	Griller Burner:	Four Brûleur:
0,53	0,68	0,68	0,9	0,8	0,8

ATTENTION:
VOTRE PRODUIT EST PRÉ-INSTALLÉ AVEC DES INJECTEURS DE GAZ NATUREL ET DE RÉGLEMENTATION.

SI VOUS UTILISEZ LP GAZ S'IL VOUS PLAÎT CONSULTER LES INSTRUCTIONS D'INSTALLATION FOURNIES AVEC LE KIT DE CONVERSION.

PRÉCAUTIONS IMPORTANTES ET RECOMMANDATIONS

- ✓ Après avoir déballé l'appareil, vérifiez qu'il ne soit pas endommagé et que la porte du four ferme correctement. En cas de doute, ne pas l'utiliser et de consulter votre fournisseur ou un technicien professionnel qualifié.
- ✓ Éléments d'emballage (par exemple des sacs en plastique, polystyrène expansé, clous, sangles d'emballage, etc.) ne doivent pas être laissés à portée de main autour des enfants, car ils peuvent provoquer des blessures graves.
- ✓ Le matériel d'emballage est recyclable et est marqué du symbole de recyclage .
- ✓ Ne pas essayer de modifier les caractéristiques techniques de l'appareil, car cela pourrait causer un danger pour les utilisateurs.
- ✓ Ne pas effectuer des opérations de nettoyage ou d'entretien sur l'appareil sans avoir préalablement il déconnecté de l'alimentation électrique.
- ✓ Si vous décidez de ne pas utiliser cet appareil plus longtemps (ou décider de remplacer un ancien modèle), avant de les éliminer, il est recommandé qu'il soit rendu inopérant de manière appropriée conformément aux règlements de santé et de protection de l'environnement, en veillant notamment à que toutes les parties potentiellement dangereuses être rendus inoffensifs, surtout par rapport aux enfants qui pourraient jouer avec des appareils inutilisés.
- ✓ Enlevez la porte avant de l'éliminer pour éviter le piégeage ..
- ✓ Après utilisation, veiller à ce que les boutons sont en position OFF.
- ✓ Ne laissez pas les enfants ou d'autres personnes non qualifiées à utiliser l'appareil sans votre supervision.
- ✓ Pendant et après l'utilisation de la gamme, certaines parties deviennent très chauds. Ne pas toucher les pièces chaudes.
- ✓ Éloignez les enfants de la plage quand il est en cours d'utilisation
- ✓ Le risque d'incendie! Ne stockez pas de matériaux inflammables dans le four ou dans le tiroir du bas.
- ✓ Assurez-vous que les câbles électriques reliant d'autres appareils à proximité de la plage ne peuvent pas entrer en contact avec la table de cuisson ou de rester coincé dans la porte du four.
- ✓ Ne pas aligner les parois du four haut et en bas d'une feuille d'aluminium. Ne pas placer des étagères, des casseroles, plaques de cuisson, plateau de cuisson au gril ou autres ustensiles de cuisine sur la base de la chambre du four.
- ✓ Le fabricant décline toute responsabilité pour les dommages aux personnes ou de dommages aux biens causés par une utilisation incorrecte de l'appareil.
- ✓ Pour éviter tout risque possible, l'appareil doit être installé par du personnel qualifié. Toute réparation par des personnes non qualifiées peuvent entraîner un choc électrique ou court-circuit. Afin d'éviter d'éventuelles blessures à votre corps ou à l'appareil, ne pas essayer de réparer par vous-même. Ce travail devrait être effectué par le personnel de maintenance qualifié.
- ✓ Danger de brûlures! Le four de cuisson et les accessoires peuvent devenir très chauds pendant le fonctionnement. Assurez-vous que les enfants sont gardés hors de la portée et de les avertir en conséquence. Pour éviter toute brûlure Utilisez des vêtements de cuisine et des gants lors de la manipulation des pièces chaudes ou des ustensiles.
- ✓ Tenez loin de la cuisinière lorsque vous ouvrez la porte du four. L'air chaud ou de la vapeur qui échappe peut causer des brûlures aux mains, le visage et / ou les yeux.
- ✓ Ne jamais nettoyer le four avec un dispositif de nettoyage à la vapeur à haute pression, car cela peut provoquer un court-circuit.

- ✓ Cet appareil est destiné à être utilisé dans votre ménage. Ne jamais utiliser l'appareil à d'autres fins!

➤ **PRÉCAUTIONS IMPORTANTES ET RECOMMANDATIONS POUR utilisation d'appareils électriques**

L'utilisation de tout appareil électrique implique la nécessité de suivre une série de règles fondamentales.

En particulier:

- ✓ Ne jamais toucher l'appareil avec les mains ou les pieds mouillés;
- ✓ Ne pas faire fonctionner l'appareil pieds nus;
- ✓ Ne laissez pas les enfants ou les personnes handicapées à utiliser l'appareil sans votre supervision.

Le fabricant ne peut être tenu pour responsable des dommages causés par un usage impropre, ou déraisonnable de l'appareil

➤ **INFORMATIONS GÉNÉRALES**



AVERTISSEMENT!!

1. Cet appareil ne doit pas être utilisé pour le chauffage de l'espace. Cette information est fondée sur des considérations de sécurité.
 2. Ali ouvertures dans le mur derrière l'appareil et dans le sol sous l'appareil doivent être scellés.
 3. Garder la zone de l'appareil libre de matériaux combustibles, essence et autres vapeurs inflammables.
 4. Ne pas obstruer le flux de combustion et de ventilation.
 5. Débranchez l'alimentation électrique de l'appareil avant l'entretien.
 6. Lors du retrait de l'appareil pour le nettoyage et / ou d'un service;
 - A. Fermez le gaz à l'alimentation principale.
 - Alimentation B. Déconnecter AC.
 - C. Débranchez la conduite de gaz à la conduite d'entrée.
 - D. Retirez délicatement la gamme en tirant vers l'extérieur.
- MISE EN GARDE: Range est lourde; utilisez des soins dans la manipulation.**
7. L'utilisation abusive de la porte du four (par exemple, marcher, assis, ou de se pencher sur eux) peut entraîner des risques et / ou entraîner des blessures.
 8. Lors de l'installation ou de retirer la gamme pour le service, un cric de levage de roulement doit être utilisé. Ne poussez pas contre l'un des bords de la plage dans une tentative pour la faire glisser dans ou hors de l'installation. Poussant ou en tirant une gamme (plutôt que d'utiliser un vérin de levage) augmente également la possibilité de plier les broches dans les jambes ou les connecteurs de couplage internes.

**** QUE FAIRE SI UNE ODEUR DE GAZ ****

- **Ne pas essayer d'allumer l'appareil.**
- **Ne touchez à aucun interrupteur électrique.**
- **Ne pas utiliser le téléphone dans votre immeuble.**
- **Appelez immédiatement votre fournisseur de gaz à partir du téléphone d'un voisin**
Suivez les instructions du fournisseur de gaz.
- **Si vous ne pouvez pas joindre votre fournisseur de gaz, appelez le service d'incendie.**



AVERTISSEMENT!!

➤ INSTRUCTIONS DE MISE ÉLECTRIQUES

Pour votre sécurité personnelle, cet appareil doit être relié correctement.

Cet appareil est équipé d'une prise de terre à trois broches pour votre protection contre les risques d'électrocution et doit être branché directement dans une prise correctement mise à la terre. Ne pas couper ou enlever la broche de terre de la fiche.

- **le cuisinière à gaz doit être installé avec toutes les connexions électriques en conformité avec les codes nationaux et locaux. Une alimentation électrique standard (115 V CA seulement, 60 Hz), correctement mise en conformité avec le National Electrical Code et les codes et ordonnances locales est nécessaire.**

Ne pas en aucun cas réduire ou supprimer le troisième pôle (terre) de la fiche d'alimentation. L'installation électrique doit être conforme aux codes nationaux et locaux.

➤ PIÈCES DE RECHANGE

Des pièces de rechange autorisées peuvent être utilisées dans l'exécution de service sur la plage. Les pièces de rechange sont disponibles auprès des distributeurs de pièces autorisés. Contactez le distributeur de pièces AVANTI plus proche dans votre région.



MONOXYDE DE CARBONE AVERTISSEMENT:

Le monoxyde de carbone est un danger possible lors de l'utilisation de tout appareil alimenté au gaz.

Tous les appareils à gaz doit être installé par un professionnel agréé qui est familier avec les niveaux de monoxyde de carbone appropriées pour chaque appareil.

L'American Gas Association publie les émissions de CO pour les appareils et les équipements de chauffage par le biais de la norme ANSI Std. Z21.1

L'EPA signale qu'un niveau maximal de CO (monoxyde de carbone) de 9 ppm sur une période de 24 heures est à l'intérieur de la norme niveau ambiant résidentiel.

(Une maison bien aérée aura un niveau de CO normal de moins de 5 ppm.)

Non ventilé GAZ appareils de cuisson:

Dans une application résidentielle sont normalement utilisées pour une courte période de temps.

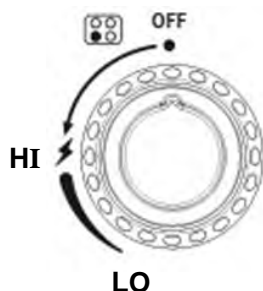
Le CO généré lors de l'opération se disperse dans l'air dans la maison et être purgé à l'extérieur à travers l'échange d'air normal.

COMMENT UTILISER LES FEUX TOP

➤ Brûleurs à gaz

Le débit de gaz des brûleurs est ajustée en tournant les boutons qui commandent les valves. En tournant le bouton de sorte que les points de la ligne de l'indicateur aux symboles imprimés sur le panneau réalise les fonctions suivantes:

Lorsque le bouton est tourné vers la position maximale, il permettra à l'ébullition rapide des liquides, tandis que la position minimale permet au réchauffement mijoter des denrées alimentaires ou maintenir des conditions d'ébullition de liquides.



Pour réduire le débit de gaz au minimum, tourner le bouton en outre dans le sens antihoraire à pointer le **Lo** position.

D'autres ajustements de fonctionnement intermédiaires peuvent être obtenus en positionnant l'indicateur entre le **HI** et **Lo** positions, et jamais entre le **HI** et **OFF** positions.

Lorsque la plage est pas utilisé, placer le bouton de gaz à leur **OFF** positions et fermer aussi le gaz vanne d'arrêt placé sur la ligne d'alimentation de gaz principale.

➤ FEUX DE GAZ D'ÉCLAIRAGE

Pour allumer le brûleur, vous devez:

1 - Pousser et tourner le bouton dans le sens antihoraire jusqu'à la **hi** position (taux maximum), appuyez et maintenez le bouton jusqu'à ce que la flamme a été allumée Les étincelles produites par l'allumeur interne seront allumer le brûleur désigné.

Dans le cas où les conditions d'alimentation en gaz locales, il est difficile d'allumer le brûleur dans le **HI** la position, essayer à nouveau avec le bouton en **Lo** position.

2 - Régler la soupape de gaz à la position désirée.

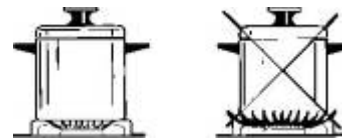
Pour ré-allumer le brûleur, ramener le bouton à la **OFF** positionner et répéter les opérations pour l'éclairage.

Prudence! La gamme devient très chaud pendant le fonctionnement. Garder les enfants hors de portée.

➤ CHOIX DE BRÛLEUR

DIAMÈTRES DE CASSEROLES QUI PEUVENT être utilisés sur les brûleurs supérieurs		
BRÛLEUR	LE MINIMUM	MAXIMUM
Auxiliaire	4 23/32 "(12 cm)	5 1/2 (14 cm)
Semirapide	6 19/64 "(16 cm)	9 7/16 (24 cm)
Rapide	9 7/16 (24 cm)	10 15/64 (26 cm)

Ne pas utiliser des casseroles avec des bases concaves ou convexes



Les symboles imprimés sur le panneau au-dessus des boutons de gaz indiquent la correspondance entre le bouton et le brûleur.

Le brûleur le plus approprié doit être choisi en fonction de la capacité du récipient diamètre et du volume à chauffer.

Il est important que le diamètre des casseroles ou poêles répondant de façon appropriée le potentiel de chauffage des brûleurs afin de ne pas compromettre l'efficacité des brûleurs, en provoquant une perte de combustible gazeux.

Un pot de petit diamètre ou une casserole placée sur un grand brûleur ne signifie pas nécessairement que les conditions d'ébullition est atteint plus rapidement.

Make sure that the handles of cookware do not stick out over the edge of the range, to avoid them being knocked over by accident. This also makes it more difficult for children to reach the cooking vessels.

Effets de l'altitude sur les brûleurs - Haut:

Les brûleurs de surface utilisés sur cette gamme de l'unité à partir de 2500 BTU à 8.800 BTU sur l'installation de gaz naturel moins de 2.000 pieds au-dessus du niveau de la mer. La force du brûleur est déclassé de 4% par 1000 pieds.

COMMENT UTILISER LE four à gaz

➤ CARACTÉRISTIQUES GÉNÉRALES

Le four à gaz est muni de deux feux:

Four brûleur, monté sur la partie inférieure du four:

Brûleur grill, monté sur la partie supérieure du four:

➤ UTILISATION DU FOUR POUR LA PREMIÈRE FOIS

Il est conseillé de suivre ces instructions

- Insérez des étagères et des poulets de chair grille et bac
- Faire tourner le four à la position de température maximum (500F) Pour éliminer d'éventuelles traces de graisse de le brûleur du four. La même opération devrait être suivie pour le brûleur du grilloir (bouton sur la position GRIL)
- Débranchez le cordon d'alimentation, Laissez refroidir le four, puis nettoyer l'intérieur du four avec un chiffon imbibé d'eau et de détergent (neutre) puis sécher soigneusement.

–

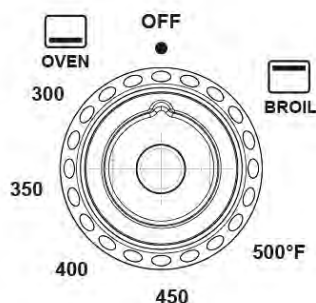
– Brûleur du four

Effectue "cuisson au four" normale.

Le débit de gaz vers le brûleur est régulée par un thermostat qui permet de maintenir la température du four souhaitée.

Le contrôle de la température est assurée par une sonde thermostatique placée à l'intérieur du four.

La sonde doit être toujours gardé dans son logement, dans un état propre, comme une mauvaise position ou une sonde sale peut provoquer une altération de la régulation de la température.



FOUR GAZ CONFIGURATION	
Nombre imprimé sur le bouton Température dans F	Température correspondante dans ° C
300	149
350	177
400	204
450	232
500	260

Thermostat du four

Les chiffres imprimés sur le panneau de commande indique la valeur de la température du four croissante (° F). Pour réguler la température, réglez le nombre choisi sur l'indicateur de bouton de commande.

La position BROIL ne sert qu'à allumer le brûleur du grill.

NOTE: Lorsque la plage ne sera pas utilisé pendant de longues périodes de temps, placer le bouton de gaz à leur **OFF** positions et fermer aussi le gaz vanne d'arrêt placé sur la ligne d'alimentation de gaz principale.

TRES IMPORTANT: Le four / grill doit toujours être utilisé avec la porte fermée.

Allumage du brûleur du four

Le thermostat permet le contrôle automatique de la température.

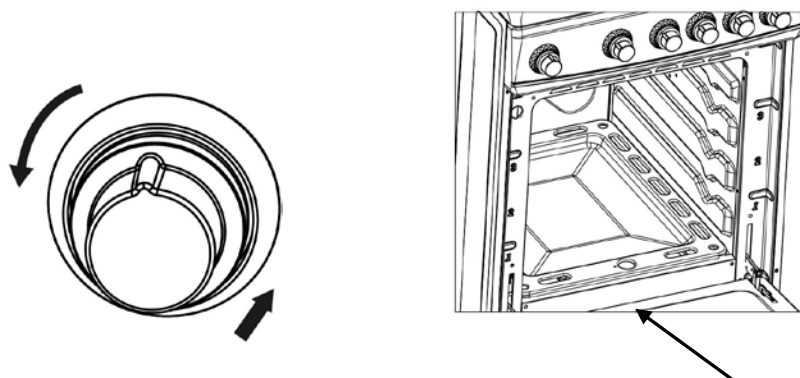
La livraison de gaz au brûleur du four est contrôlée par un robinet thermostatique à deux voies (des brûleurs du four et du gril) avec un dispositif de flamme échec.

Pour allumer le brûleur du four fonctionnera comme suit:

1) Ouvrez la porte du four à sa pleine mesure.

AVERTISSEMENT: Risque d'explosion! La porte du four doit être ouverte lors de cette opération.

2) Appuyez légèrement et tournez le bouton du thermostat dans le sens antihoraire à la position max ou 500°F



3) Appuyez sur le bouton vers l'intérieur et maintenez pour activer l'allumage électronique. Notez que vous entendrez un bruit de «clic». Maintenez le bouton enfoncé vers l'intérieur jusqu'à ce que le brûleur du four est allumé. Une fois le brûleur du four est allumé, relâchez le bouton.

En cas de panne de courant, vous pouvez manuellement allumer le brûleur en appuyant sur le bouton vers l'intérieur et aborder immédiatement une allumette à l'ouverture "A" (voir le schéma ci-dessus).

Jamais continuer cette opération pour plus de 15 secondes. Si le brûleur n'a toujours pas pris feu, attendre environ 1 minute avant de répéter l'allumage.

4) Lors de l'utilisation de la gamme pour la première fois ou après une longue période de non-utilisation, tenez le bouton enfoncé vers l'intérieur pendant environ 10 - 15 secondes après que le brûleur est allumé pour assurer la vanne de gaz a été amorcée avec précision.

5) Fermez la porte du four lentement et ajuster en conséquence le brûleur à la température désirée. Si la flamme éteint pour une raison quelconque, la soupape de sécurité sera automatiquement couper l'alimentation de gaz au brûleur.

Pour ré-allumer le brûleur, tournez d'abord le bouton de commande du four sur la **OFF** la position, attendre au moins 1 minute, puis répéter la procédure d'allumage.

Attention: la porte du four devient très chaud pendant le fonctionnement. Eloignez les enfants.

CUISSON

Avant d'introduire les aliments, préchauffer le four à la température désirée

Pour un fonctionnement correct de préchauffage, il est souhaitable de retirer le plateau du four et l'introduire en même temps que de la nourriture, lorsque le four a atteint la température désirée.

Vérifiez le temps de cuisson et éteindre le four 5 minutes avant l'heure théorique de récupérer la chaleur emmagasinée.

ALLUMAGE DE LA GRIL BRÛLEUR

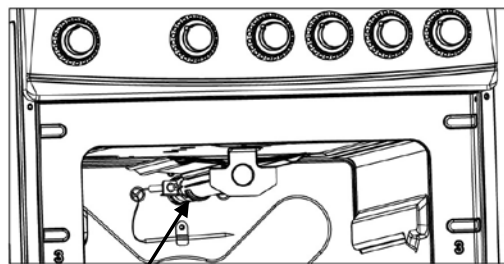
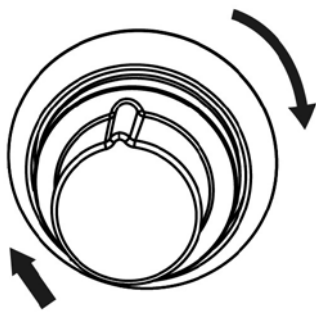
Le brûleur du gril génère les rayons infra-rouge pour griller. Pour allumer le brûleur du gril fonctionne comme suit:

Pour allumer le brûleur du four fonctionnera comme suit:

1) Ouvrez la porte du four à sa pleine mesure.

AVERTISSEMENT: Risque d'explosion! La porte du four doit être ouverte lors de cette opération.

2) Appuyez légèrement et tournez le bouton du thermostat dans le sens horaire à la position du gril.



3) Appuyez sur le bouton vers l'intérieur et maintenez pour activer l'allumage électronique. Notez que vous entendrez un bruit de «clic». Maintenez le bouton enfoncé vers l'intérieur jusqu'à ce que le brûleur du four est allumé. Une fois le brûleur du four est allumé, relâchez le bouton.

En cas de panne de courant, vous pouvez allumer manuellement le brûleur en appuyant sur le bouton vers l'intérieur et aborder immédiatement une allumette à la région "A" (voir le schéma ci-dessus).

Jamais continuer cette opération pour plus de 15 secondes. Si le brûleur n'a toujours pas pris feu, attendre environ 1 minute avant de répéter l'allumage.

4) Lors de l'utilisation de la gamme pour la première fois ou après une longue période de non-utilisation, tenez le bouton enfoncé vers l'intérieur pendant environ 10 - 15 secondes après que le brûleur est allumé pour assurer la vanne de gaz a été amorcée avec précision.

5) Fermez doucement la porte du four. Si la flamme éteint pour une raison quelconque, la soupape de sécurité sera automatiquement couper l'alimentation de gaz au brûleur.

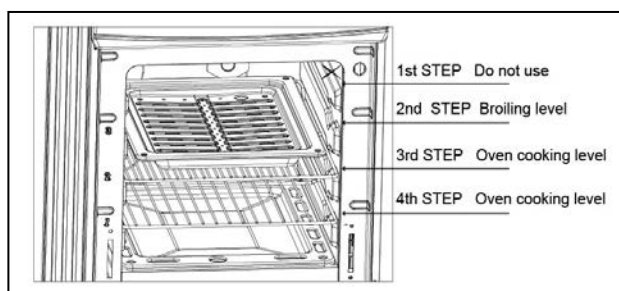
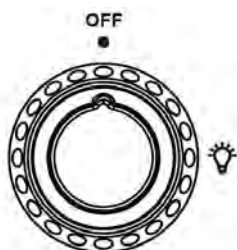
Pour ré-allumer le brûleur, tournez d'abord le bouton de commande du four sur la **OFF** la position, attendre au moins 1 minute, puis répéter la procédure d'allumage.

Ne toujours griller avec la porte du four fermée. Attention: la porte du four devient très chaud pendant le fonctionnement. Eloignez les enfants.

La lumière du four

La gamme est équipée d'une lumière qui éclaire le four pour permettre visuellement le contrôle de la nourriture qui est la cuisson.

Cette lumière est commandé par un bouton sur le panneau de commande.



GRILLAGE

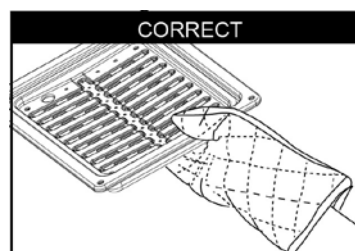
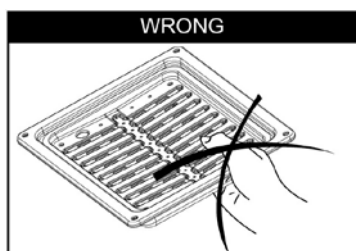
Très important: le brûleur du gril doit toujours être utilisé avec la porte du four fermée.

Placez la grille du four sur le deuxième niveau de la partie supérieure

-Allumez le brûleur du gril, comme expliqué dans les paragraphes précédents et laissez le préchauffage de brûleur du gril pendant environ 5 minutes avec la porte fermée.

-Placez l'aliment à cuire-dessus de la lèchefrite.

-Introduisez la lèchefrite dans le four. La grille de la viande doit être placée au-dessus du plateau et il doit être centré avec le brûleur du gril.



AVERTISSEMENT!!

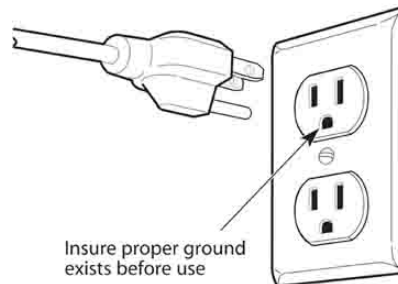
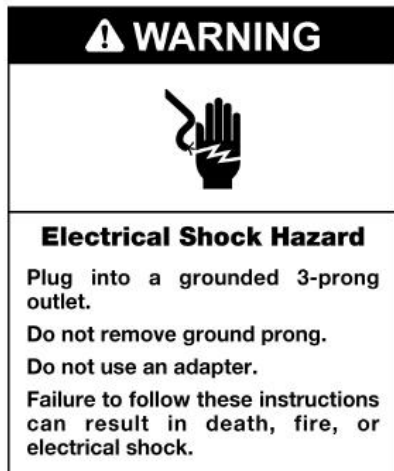
Avertissement-TRÈS IMPORTANT

Ne jamais obstruer les fentes d'aération du four sur le dossier.

- Ne pas griller sans utiliser la lèchefrite.
- Important: Utilisez toujours adaptés des gants de protection lors de l'insertion / retrait de la grille de la viande, des étagères, des casseroles sur d'autres ustensiles de cuisine du four.
- Attention: la gamme devient très chaud pendant le fonctionnement
- Attention: la porte du four devient très chaud pendant le fonctionnement
- Éloignez les enfants
- Attention: La porte est chaude, assurez-vous d'utiliser la poignée

ENTRETIEN / MAINTENANCE

RECOMMANDATION GÉNÉRALE



Important: Avant toute opération de nettoyage et d'entretien débrancher l'appareil de l'alimentation électrique.

Il est conseillé de nettoyer lorsque l'appareil est froid et en particulier pour le nettoyage des pièces émaillées.,

Évitez de laisser des substances alcalines ou acides (jus de citron, vinaigre, etc.) sur les surfaces.

Évitez d'utiliser des produits de nettoyage avec une base de chlore ou acide.

Le four doit toujours être nettoyé après chaque utilisation, l'utilisation de produits et gardant à l'esprit que son fonctionnement pendant 30 minutes sur la plus haute température élimine la plupart crasse réduisant en cendres appropriés.

PIÈCES émaillé

Toutes les pièces émaillées doivent être nettoyés avec une éponge et de l'eau savonneuse ou d'autres produits non-abrasifs.

Séchez de préférence avec une peau de chamois.

Si des substances acides comme le jus de citron, tomates confites, vinaigre, etc. sont laissées sur l'émail pendant longtemps ils vont graver, ce qui rend opaque.

INOX ÉLÉMENTS

Pièces en acier inoxydable doivent être rincés à l'eau et séchées avec un chiffon doux et propre ou avec une peau de chamois.

Pour la saleté difficile, utiliser un produit non abrasif spécifique disponible dans le commerce ou un peu de vinaigre chaud.

Remarque: l'utilisation régulière pourrait entraîner une décoloration autour des brûleurs, en raison de la température élevée de la flamme.

INTÉRIEUR DU FOUR

Ce doit être nettoyé régulièrement. Avec la chaleur du four, essuyez les parois intérieures avec un chiffon imbibé d'eau savonneuse très chaude ou un autre produit approprié.

VANNES DE GAZ

En cas de défauts de fonctionnement dans les robinets de gaz, fermer la principale alimentation en gaz et appeler le service.

**WARNING
VERY IMPORTANT**

Before any operation of maintenance disconnect the appliance from the electrical mains supply.

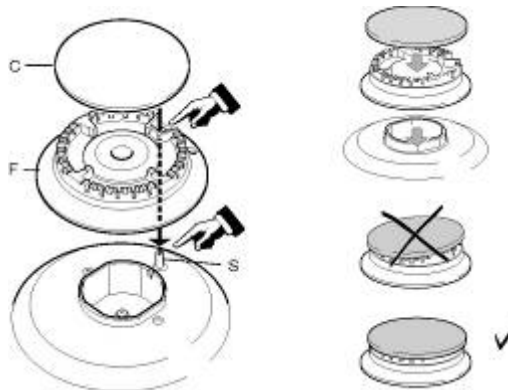
Ne pas utiliser de nettoyeurs à vapeur, car l'humidité pourrait s'infiltrer dans l'appareil le rendant dangereux.

FEUX ET GRILLES

- ✓ Ces pièces peuvent être retirés et nettoyés avec les produits appropriés.
- ✓ Après le nettoyage, les brûleurs et leurs distributeurs de flamme doivent être bien secs et correctement remplacé.
- ✓ Il est très important de vérifier que le distributeur de flamme du brûleur et la PAC a été correctement positionné - défaut de le faire peut entraîner de graves problèmes.
- ✓ Dans les appareils avec allumage électrique garder l'électrode propre de sorte que les étincelles frappent toujours.
- ✓ **Remarque: Pour éviter d'endommager l'allumage électrique ne pas utiliser lorsque les brûleurs ne sont pas en place.**

Remplacement correct des brûleurs

Il est très important de vérifier que l'épandeur brûleur à flamme "F" et le bouchon "C" ont été correctement positionnés. Ne pas le faire peut causer de graves problèmes.



Dans les appareils avec allumage électrique, vérifiez que l'électrode "S" est toujours propre pour assurer la formation d'étincelles sans problème.

La bougie d'allumage doit être nettoyé très soigneusement.

FOUR GRILLE Installation et l'enlèvement

Les grilles sont munies d'un loquet de sécurité pour empêcher l'extraction accidentelle.

Ils doivent être insérés comme indiqué.

Pour les sortir supprimer la grille dans l'ordre inverse.

Figura 22

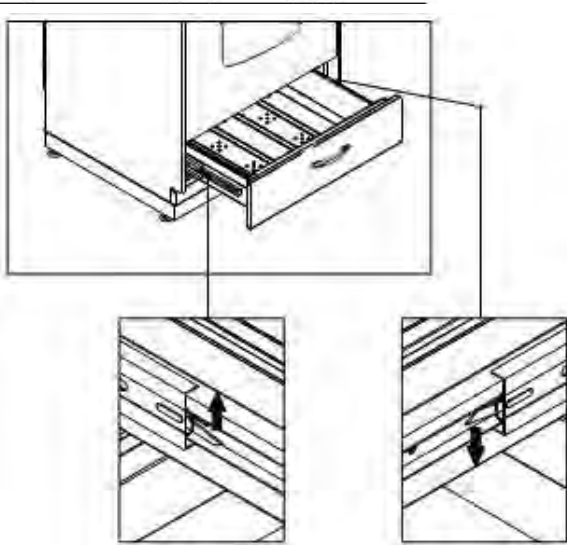


Tiroir de rangement AMOVIBLE

① Soulevez le petit crochet du gauche vers le haut, en même temps, pousser la plate-forme petit crochet vers le bas. (voir la photo)

②Tirez le tiroir.

③Pour remplacer le tiroir, Aligner le tiroir avec les rails et pousser vers l'intérieur.



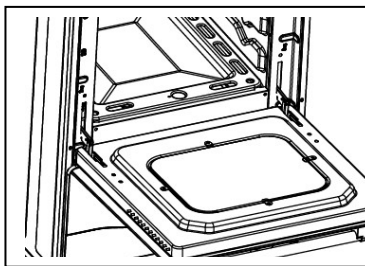
Ne stockez pas de matériaux inflammables dans le four ou dans le tiroir du bas.

RETRAIT DE LA PORTE DU FOUR

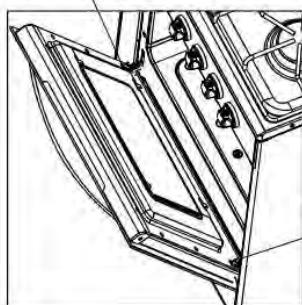
Pour faciliter le nettoyage du four, il est possible d'enlever la porte. S'il vous plaît suivez attentivement les instructions:

RETRAIT DE LA PORTE DU FOUR

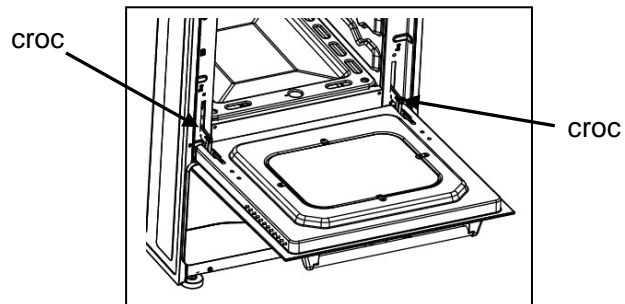
- La porte du four peut être facilement retiré de la manière suivante:
- Ouvrez la porte à la pleine étend.
- Soulevez les crochets gauche et à droite sur la charnière.
- Tenir la porte, comme indiqué dans la figure.
- Fermez doucement la porte et soulever la porte à deux mains lorsque les crochets touchent la porte.
- Réglez la porte sur une surface plate et douce.
- Pour remplacer la porte, répéter les étapes ci-dessus dans l'ordre inverse.



hooks touch the door



hooks touch the door



LE REMPLACEMENT DE LA LAMPE DU FOUR

- Laissez la cavité et griller brûleur du four refroidir.
- Coupez l'alimentation électrique.
- Retirer le couvercle de protection.
- Dévissez et remplacer l'ampoule par une nouvelle résistant aux hautes températures (200 ° ~ 500 ° F) ayant les mêmes spécifications: 120V 60Hz, 15W, E14.
- Remplacer le couvercle de protection.

NOTE: Le remplacement des ampoules Four ne sont pas couverts par votre garantie.

LE NIVELLEMENT DE LA PLAGE

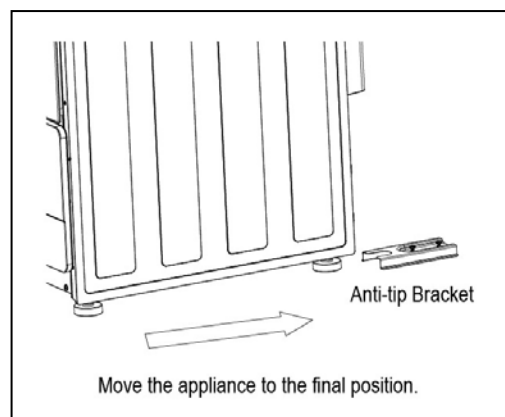
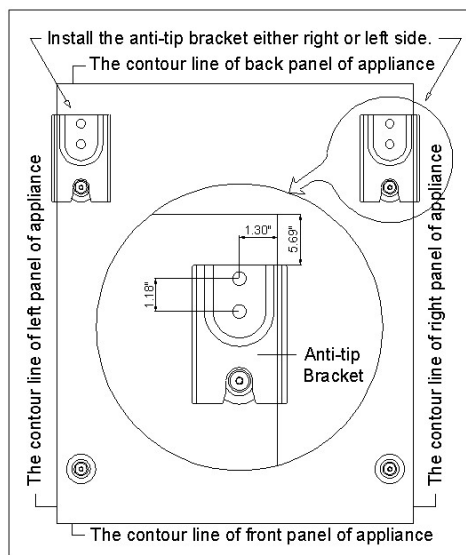
La gamme doit être de niveau pour obtenir fonctionnement. Les quatre vis Type pieds de nivellement situés sur les coins en bas de gamme doivent être ajustés en les tournant vers la droite pour faire la gamme supérieure ou anti-horaire pour abaisser la plage jusqu'à la plage est de niveau. Utilisez un niveau sur les unités de surface pour vérifier la mise à niveau de la gamme.

BRIDE ANTIBASCULEMENT INSALLATION

Pour réduire le risque de basculement de la plage par une utilisation anormale ou abusive chargement de la porte, la plage doit être assuré par l'installation correctement le dispositif anti-renversement inclus avec l'appareil.

- Placez le support anti-renversement sur le sol comme le montre la figure. Anti-tip support peut être installé sur chaque côté gauche ou droit.
- Faire les emplacements des trous de 2 ant-pointe support sur le plancher.
- Utiliser un foret de 5/16 "de maçonnerie et insérez ancrage en plastique.
- Fixer le support au sol à l'aide des vis fournies.
- Faites glisser l'appareil en position.

NOTE: Si la cuisinière est déplacée, le support doit être retiré et installé dans nouvel emplacement.



PROBLÈMES AVEC VOTRE GAZ?

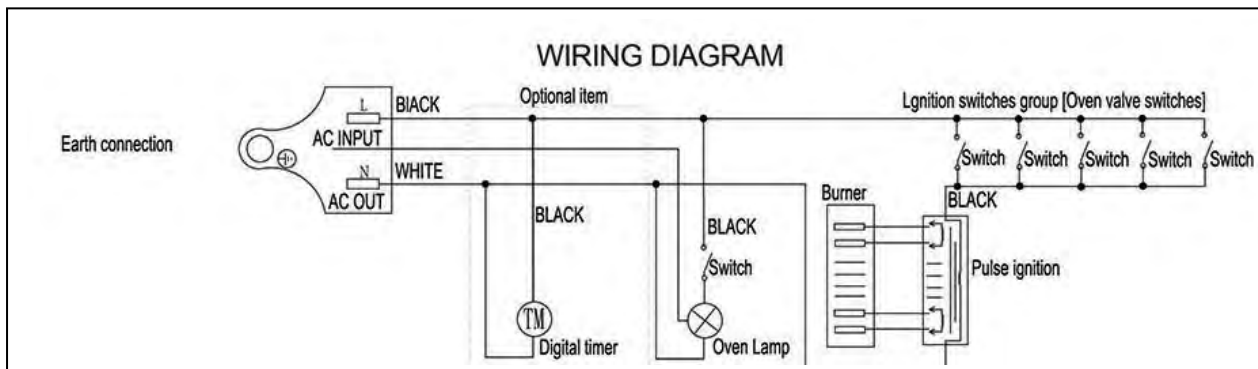
Vous pouvez résoudre de nombreux problèmes de l'appareil commun facilement, vous épargnant le coût d'un appel de service possible. Essayez les suggestions ci-dessous pour voir si vous pouvez résoudre le problème avant d'appeler le réparateur.

GUIDE DE DÉPANNAGE

Recherchez votre problème ICI	CAUSE POSSIBLE	Comment résoudre ce problème
Les brûleurs de surface ne allument pas.	Contrôle de la surface n'a pas été complètement tourné à la position ON.	Pousser et tourner le contrôle sur la position ON jusqu'à allumage du brûleur, puis tournez la commande au réglage de la flamme voulue.
	Les orifices des brûleurs sont obstrués.	Utilisez un petit fil de calibre ou une aiguille pour ouvrir les ports.
	Brûleurs pas positionnées correctement.	Vérifiez que les brûleurs sont positionnés correctement sur les capuchons d'orifice et les brûleurs sont assis à plat sur le support du brûleur avec des onglets engagées dans des fentes.
	Portée pas fixé pour l'entrée de gaz approprié.	Voir la section de conversion de gamme de manuel d'installation.
	Les veilleuses seront pas allumer en raison de panne de courant.	Pilotes légers manuellement.
	Range cordon d'alimentation est débranché de la prise.	Soyez sûr cordon d'alimentation est branché dans une prise de terre.
Flamme brûle la moitié du tour.	Les orifices des brûleurs sont obstrués.	Utilisez un petit fil de calibre ou une aiguille pour ouvrir les ports.
	L'humidité est présente après le nettoyage.	Ventilez légèrement la flamme et laissez le brûleur fonctionner jusqu'à ce que la flamme soit complète. OU brûleurs sèches suivant soigneusement les instructions section de gamme "de nettoyage" dans.
	Range est pas défini pour l'entrée de gaz approprié.	Voir la section de conversion de gamme de manuel d'installation.
La flamme est orange.	Les particules de poussière dans la conduite principale.	Laissez le brûleur fonctionner pendant quelques minutes jusqu'à ce que la flamme devienne bleue.
	Range est pas défini pour l'entrée de gaz approprié.	Voir la section de conversion de gamme de manuel d'installation.
L'éclairage du four ne fonctionne pas.	Brûlé ou une ampoule lâche	Serrer ou remplacer ampoule du four.
Four ou rôtissoire ne réchauffe pas.	Range est pas défini pour l'entrée de gaz approprié.	Voir la section de conversion de gamme de manuel d'installation.
	Contrôle de la température pas réglé correctement.	Assurez-vous que le contrôle de la température est réglée à la température désirée.
	Témoin lumineux ne sera pas la lumière en raison de panne de courant.	Pilotes légers manuellement.
	Le fusible a sauté ou le disjoncteur a sauté.	Vérifiez / réarmer le disjoncteur et / ou remplacer le fusible. Ne pas augmenter la capacité du fusible. Si le problème est une surcharge du circuit, faire corriger par un électricien qualifié.
	Range cordon est débranché de la prise.	Soyez sûr que le cordon d'alimentation est branché dans une prise de terre.
La température du	Bulbe capillaire Four mal	Vérifiez que l'ampoule capillaire est cassé

four est inexacte.	positionné.	dans les clips directement et pas toucher les côtés ou revêtue avec un nettoyeur ou de la nourriture du four.
	Contrôle de la température pas réglé correctement.	Assurez-vous que le bouton de commande de température est réglée à la température désirée.
	Une mauvaise utilisation de papier d'aluminium.	Gardez feuille claire de trous dans le fond du four et hors des côtés du four.
	Vent bloqué.	Gardez évent sur dossier clair.
	Portée pas fixé pour l'entrée de gaz approprié.	Voir la section de conversion de gamme de manuel d'installation.
Fumée ou d'odeur sur le fonctionnement du four initiale.	C'est normal.	
Range est pas de niveau.	Mauvaise installation.	Placer la grille au centre du four. Placez un niveau sur la grille. Ajuster les pieds de nivellement.
	Sol faible ou instable.	Soyez sûr plancher est de niveau et peut supporter le poids. Contactez charpentier pour corriger l'affaissement ou la pente du plancher.
	Cuisine alignement des armoires peut faire des choix semblent être aplani.	Soyez sûr armoires sont d'équerre et d'avoir assez d'espace libre de gamme. Contactez-ébéniste à corriger le problème
Four fume trop.	Viande trop proche de brûleur du gril.	Repositionner la lèchefrite pour fournir plus d'espace entre la viande et le brûleur du gril
	Viande pas correctement préparée.	Enlever l'excès de gras de la viande.

Schéma de câblage



SERVICE POUR VOTRE GAZ

Nous sommes fiers de notre organisation de service à la clientèle et le réseau de techniciens de services professionnels qui offrent des services sur vos appareils Avanti. Avec l'achat de votre appareil Avanti, vous pouvez avoir la certitude que si vous avez besoin d'informations supplémentaires ou d'aide, l'équipe de service à la clientèle Avanti produits seront là pour vous. Il suffit d'appeler le numéro sans frais.

AVANTI PRODUITS SERVICES CLIENTS

Information produit 800-323-5029	Quels que soient vos questions sont sur nos produits, l'aide est disponible.
Commandes de pièces 800-220-5570	Vous pouvez commander des pièces et accessoires qui seront livrés directement à votre domicile par chèque personnel, Mandat, Master Card, ou Visa.
In-Home Repair Service 800-220-5570	Un centre de service autorisé de produits Avanti fournira un service de réparation expert, prévue à un moment qui est commode pour vous. Nos réparateurs formés connaissent votre appareil intérieur et l'extérieur.

VOTRE AVANTI DES PRODUITS GARANTIE

GARANTIE - GAZ

DURÉE DE LA GARANTIE	Nous paierons
PLEIN garantie d'un an DATE DE L'ACHAT SUR TOUTES LES PIÈCES l'exception des pièces de verre. UTILISATION EN LOCATION OU COMMERCIAL, LA période de garantie est de 90 jours.	PIÈCES DE RECHANGE ET REPARATION DU TRAVAIL pour corriger les défauts matériels ou de fabrication. Le service doit être fourni par une compagnie de réparation autorisée.
PLEIN garantie de 30 jours DATE DE L'ACHAT SUR LES PIÈCES DE VERRE ET FINITION émail de porcelaine, peint ou finis métalliques parties claires	PIÈCES DE RECHANGE ET REPARATION DU TRAVAIL pour corriger les défauts matériel ou de fabrication. Le service doit être fourni par une compagnie de réparation autorisée.
NOUS Noy PAYÉ POUR	
<p>H. Les appels de service:</p> <ol style="list-style-type: none">1. Rectifier l'installation de votre gamme.2. Vous indiquer comment utiliser votre gamme.3. Remplacer les fusibles ou rectifier le câblage électrique.4. Remplacez les ampoules propriétaire accessible. <p>I. Surtaxes, y compris, mais sans s'y limiter, toute après heure, les appels week-end, ou de services de vacances, les péages, les frais de voyage de convoyage ou les frais de kilométrage pour les appels desservis dans les régions éloignées, y compris l'état de l'Alaska.</p> <p>J. Ramassage et livraison. Votre gamme est conçu pour être réparé à domicile.</p> <p>K. Dommages à votre gamme causée par un accident, incendie, inondation, actes de Dieu, ou l'utilisation de produits non mentionnés dans ce manuel.</p> <p>L. Les réparations aux pièces ou systèmes causés à la suite de modifications non autorisées de l'appareil.</p> <p>M. Les frais de transport et de manutention associés au remplacement de l'unité.</p> <p>N. Les réparations lorsque votre gamme est utilisé autrement que dans une utilisation domestique unifamilial normal.</p>	

AVANTI PRODUCTS NE SERA PAS RESPONSABLE DES DOMMAGES ACCESSOIRES OU INDIRECTS.

Certains états ne permettent pas l'exclusion ou la limitation des dommages indirects ou consécutifs, de sorte que cette exclusion ou limitation peut ne pas vous concerner. Cette garantie vous donne des droits spécifiques, et vous pouvez également avoir d'autres droits qui varient d'un État à État.

Cette garantie n'est pas valable en dehors de la zone continentale des États-Unis.

Registration Information

Thank you for purchasing this fine Avanti product. Please fill out this form and return it to the following address within 100 days from the date of purchase and receive these important benefits:

Avanti Products, LLC.

P.O.Box 520604 – Miami, Florida 33152

➤ **Protect your product:**

We will keep the model number and date of purchase of your new Avanti product on file to help you refer to this information in the event of an insurance claim such as fire or theft.

➤ **Promote better products:**

We value your input. Your responses will help us develop products designed to best meet your future needs.

------(detach here)-----

Avanti Registration Card

Name			Model #	Serial #
Address			Date Purchased	Store / Dealer Name
City	State	Zip	E-mail Address	
Area Code	Phone Number		Occupation	
<u>Did You Purchase An Additional Warranty</u>			<u>As your Primary Residence, Do You:</u>	
<input type="checkbox"/> Extended			<input type="checkbox"/> Own	
<input type="checkbox"/> None			<input type="checkbox"/> Rent	
<u>Reason for Choosing This Avanti Product:</u>			<u>Your Age:</u>	
Please indicate the most important factors			<input type="checkbox"/> under 18	
That influenced your decision to purchase			<input type="checkbox"/> 18-25	
this product:			<input type="checkbox"/> 26-30	
<input type="checkbox"/> Price			<input type="checkbox"/> 31-35	
<input type="checkbox"/> Product Features			<input type="checkbox"/> 36-50	
<input type="checkbox"/> Avanti Reputation			<input type="checkbox"/> over 50	
<input type="checkbox"/> Product Quality			<u>Marital Status:</u>	
<input type="checkbox"/> Salesperson Recommendation			<input type="checkbox"/> Married	
<input type="checkbox"/> Other: _____			<input type="checkbox"/> Single	
<input type="checkbox"/> Friend / Relative Recommendation			<u>Is This Product Used In The:</u>	
<input type="checkbox"/> Warranty			<input type="checkbox"/> Home	
<input type="checkbox"/> Other: _____			<input type="checkbox"/> Business	
<u>Comments:</u>			<u>How Did You Learn About This Product:</u>	
_____			<input type="checkbox"/> Advertising	
_____			<input type="checkbox"/> In-Store Demo	
_____			<input type="checkbox"/> Personal Demo	

PRINTED IN CHINA

GR2011CW/GR2414CW - 04/14/2015