

MSF8305GR

REV 10.2024

COUNTER TOP ASSEMBLY  
PART A

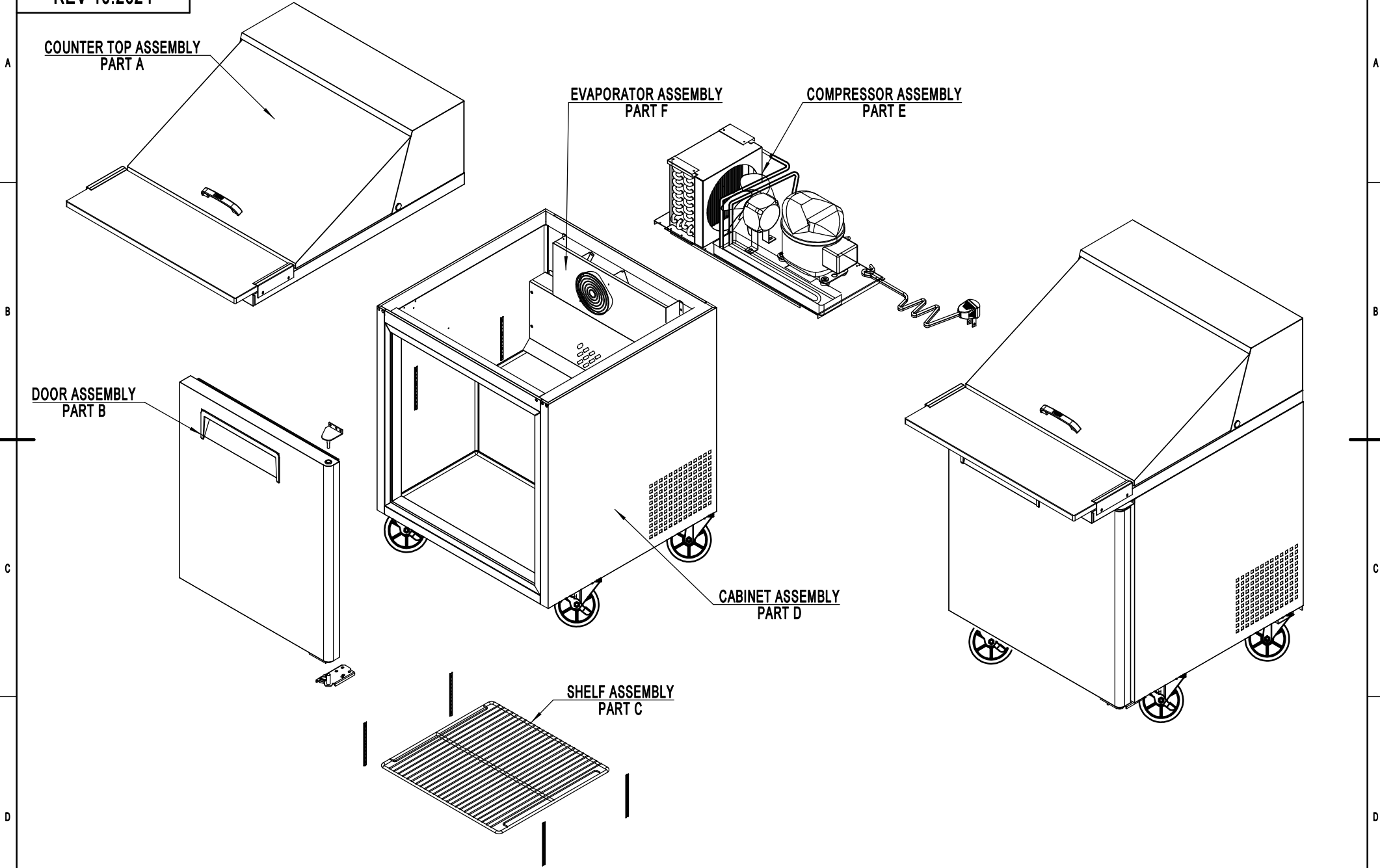
EVAPORATOR ASSEMBLY  
PART F

COMPRESSOR ASSEMBLY  
PART E

DOOR ASSEMBLY  
PART B

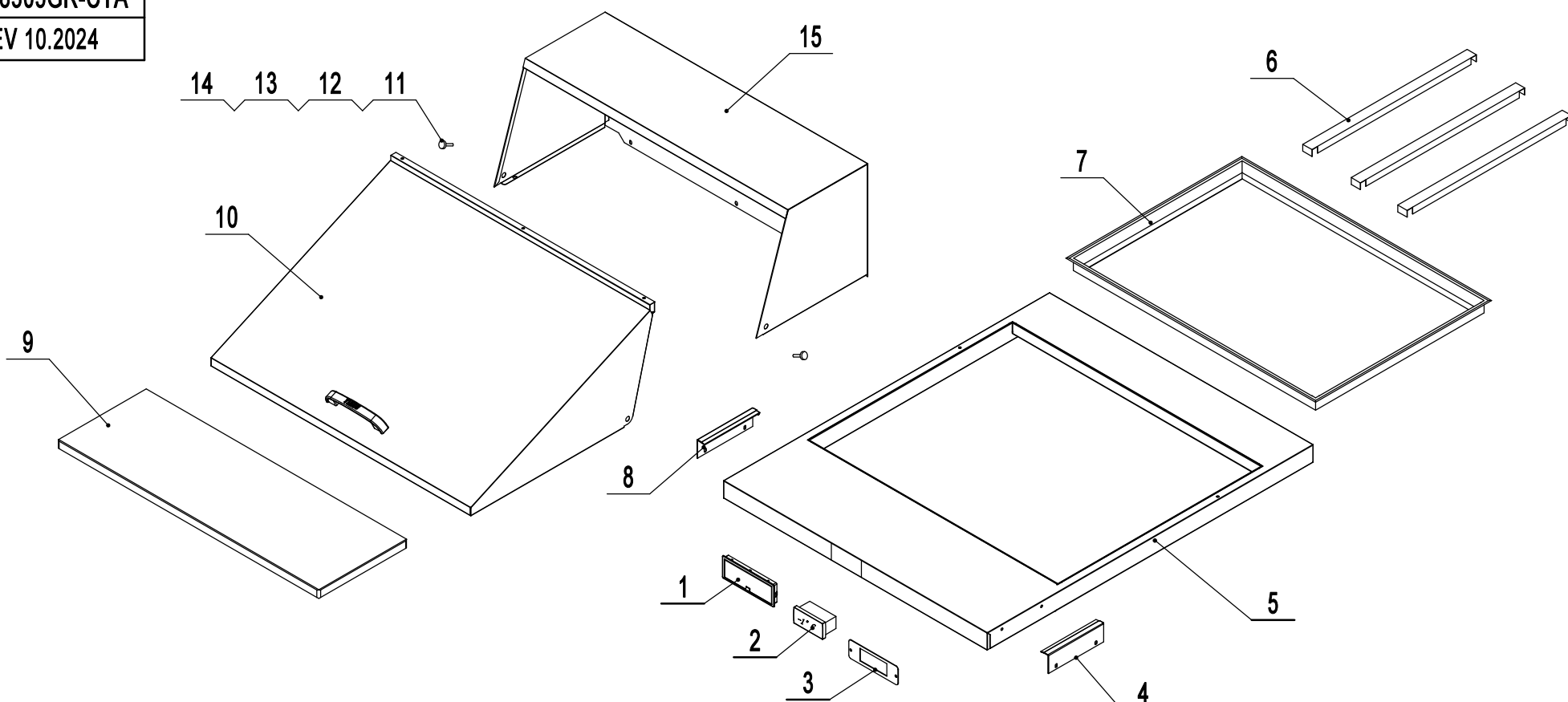
CABINET ASSEMBLY  
PART D

SHELF ASSEMBLY  
PART C



MSF8305GR-CTA

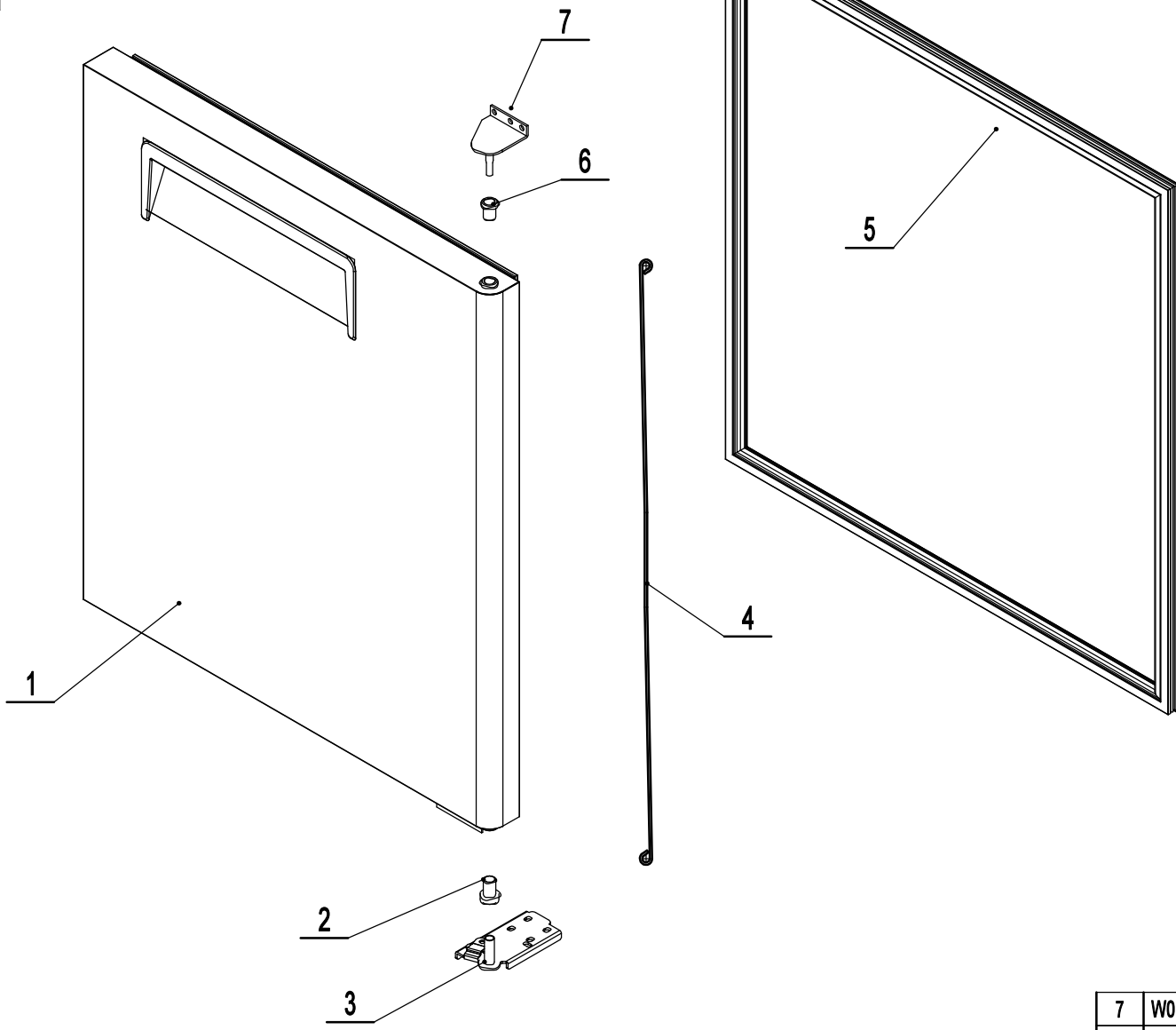
REV 10.2024



15	MSF8305AJ02	Hood	1
14	B0503101	Stainless Steel Cap Nut	2
13	W0604021	Lid Hinge Washer	2
12	W0604040	Big Lid Hinge Washer	2
11	W0604039	Lid Hinge Screw	2
10	MSF8305AJ01	Lid	1
9	W0499200	Chopping Board	1
8	83022702	Left Chopping Board Bracket	1
7	MSF8305AI01	Pan Frame Support	1
6	83061904	Pan Divided Bar	3
5	MSF8305FF01	Counter Top Assembly	1
4	83022703	Chopping Board Bracket	1
3	83032302	Controller Bracket	1
2	W0302024	Controller Display	1
1	W0409878	Controller Cover	1
<b>No.</b>	<b>Part #</b>	<b>Part Name</b>	<b>Qty</b>

MSF8305GR-DA

REV 10.2024



7	W0604026	Top Right Hinge	1
6	W0409845	Top Door Shaft Sleeve	1
5	W0404518	Door Gasket	1
4	W0604922	Door Spring Bar	1
3	W0604028	Bottom Right Hinge	1
2	W0409843	Bottom Door Shaft Sleeve	1
1	MSF8301FC01	Door Assembly	1
<b>No.</b>	<b>Part #</b>	<b>Part Name</b>	<b>Qty</b>

MSF8305GR-SA

REV 10.2024

A

B

C

D

A

B

C

D

1

2

3

4

5

6

1

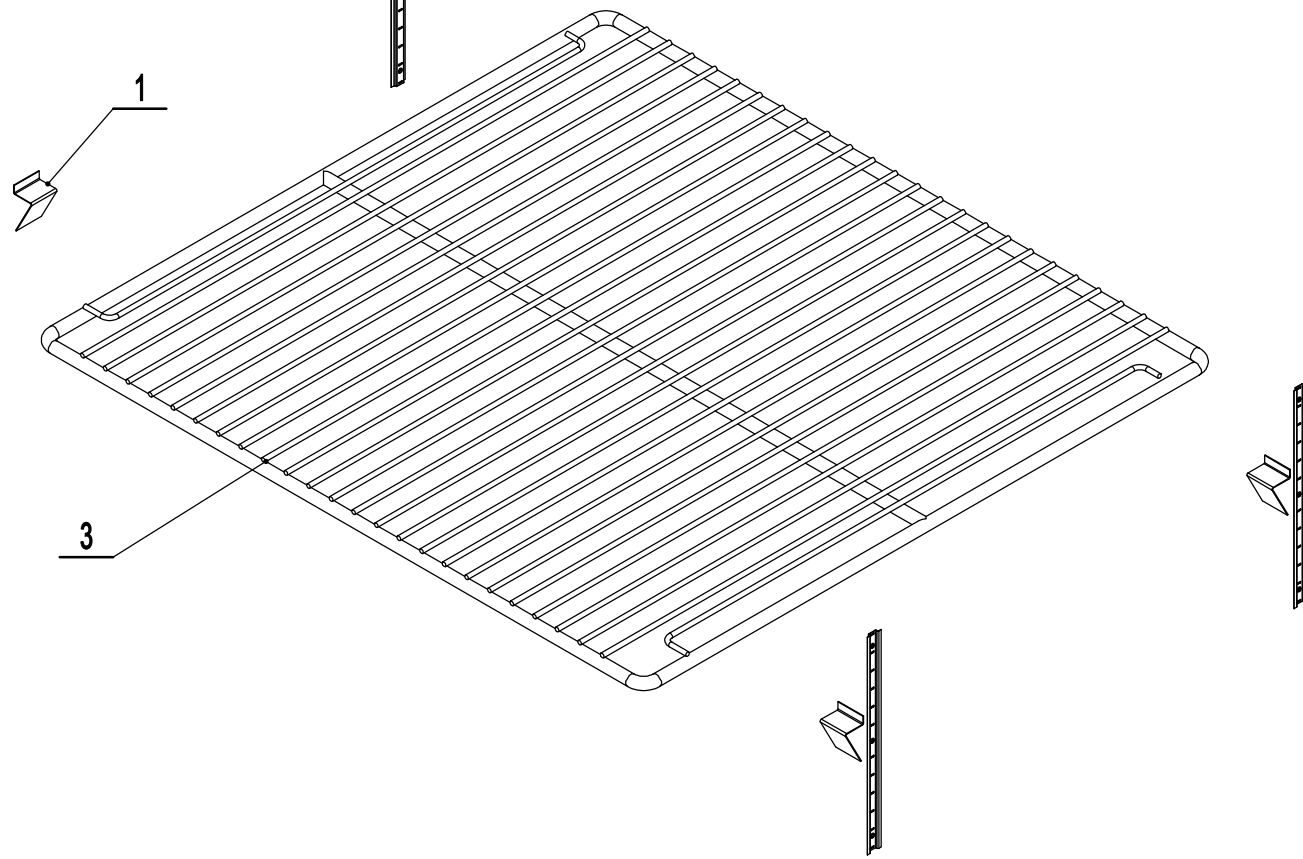
2

3

4

5

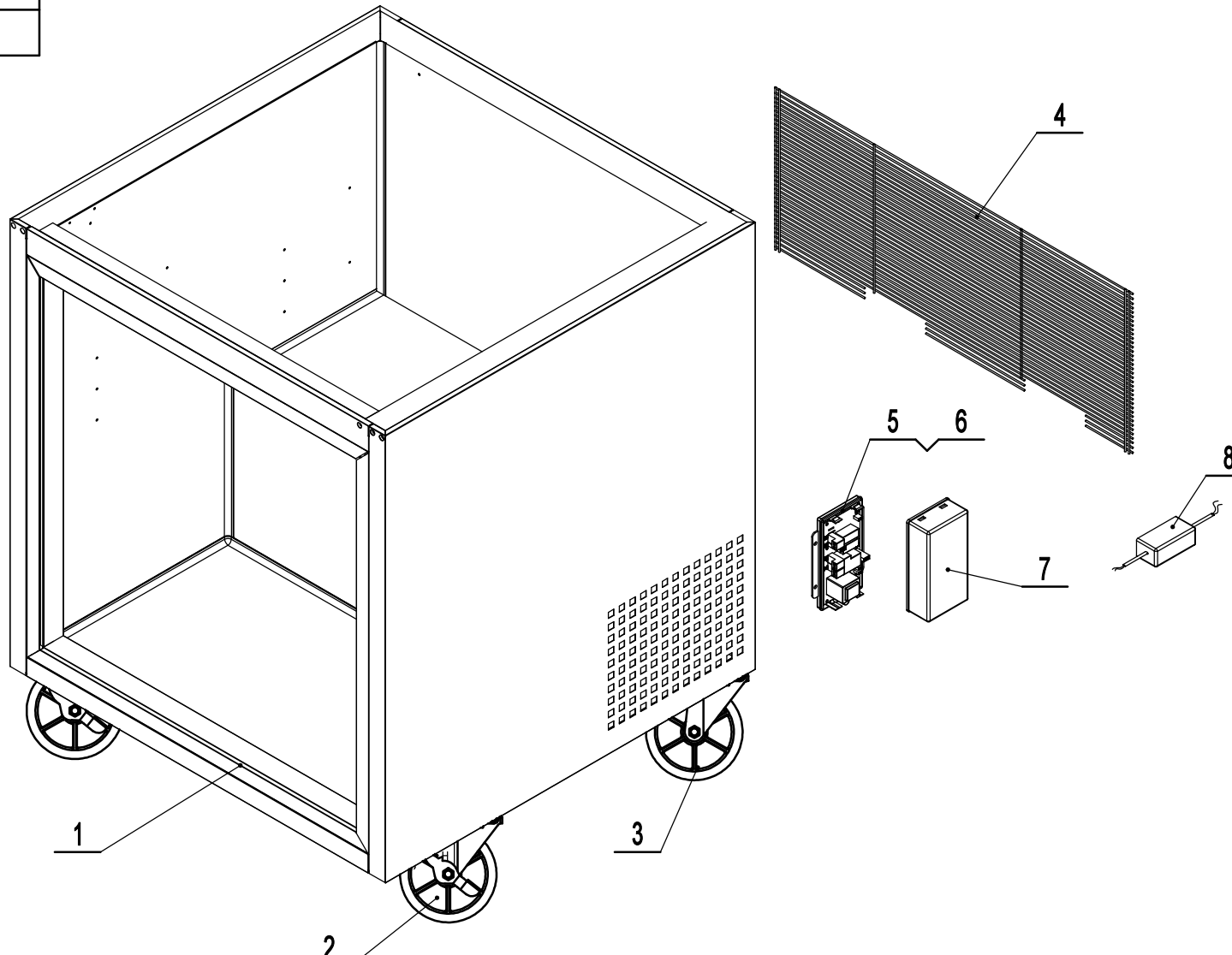
6



3	W0402568	Shelf, 23-3/16 x 17-5/8	1
2	24432012	Shelf Pilaster	4
1	66490313	Shelf Clip	4
<b>No.</b>	<b>Part #</b>	<b>Part Name</b>	<b>Qty</b>

MSF8305GR-CA

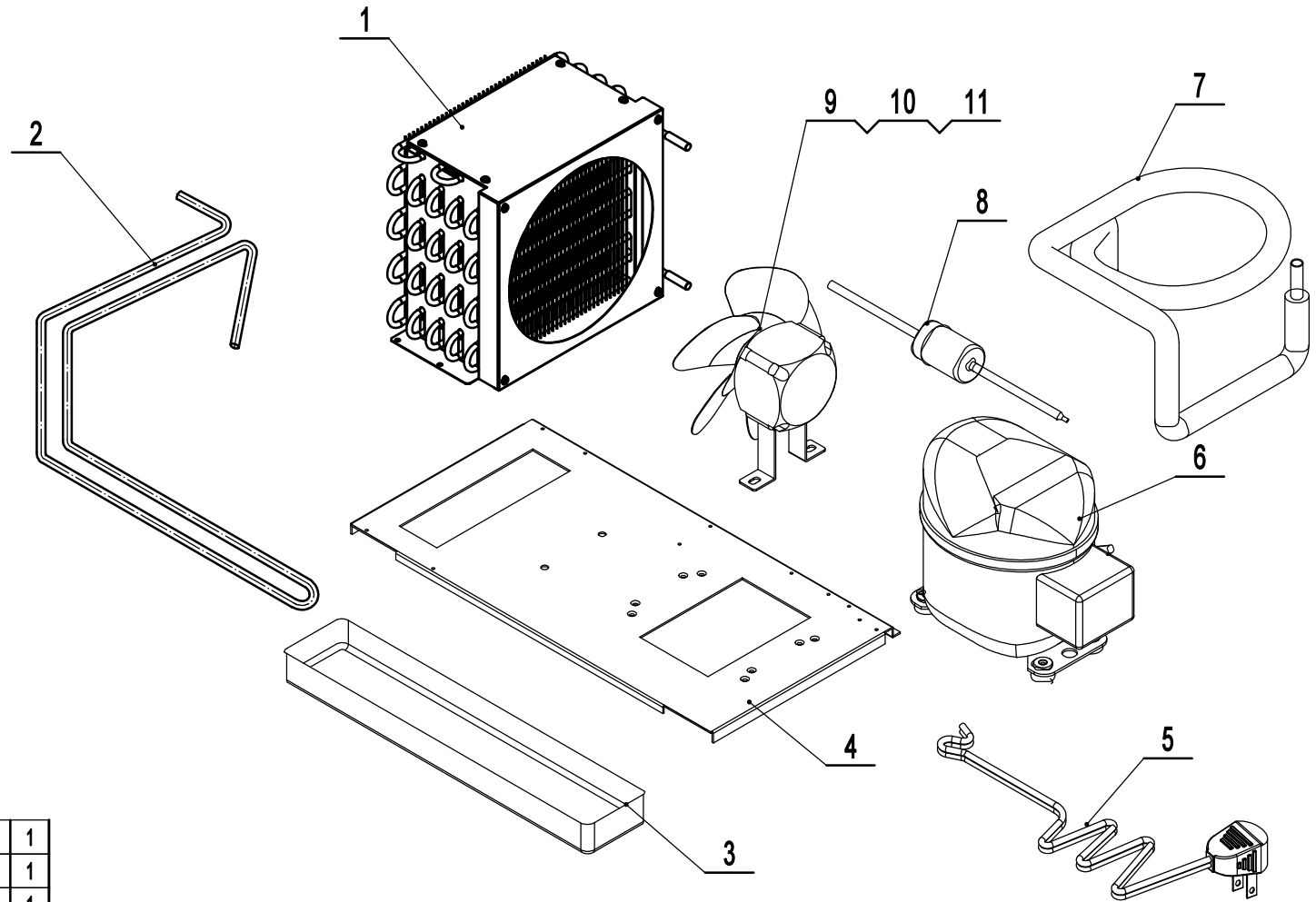
REV 10.2024



8	W0399112	Power Supply/Transformer	1
7	W0409028	Controller Box Cover	1
6	W0302017	Digital Controller	1
5	W0409027	Controller Box	1
4	W0402575	Back Barrier	1
3	B0604006	5" M14 Stem Caster	2
2	B0604007	5" M14 Stem Caster W/ Brake	2
1	MSF8301FA01	Cabinet Assembly	1
No.	Part #	Part Name	Qty

MSF8305GR-CCA

REV 10.2024

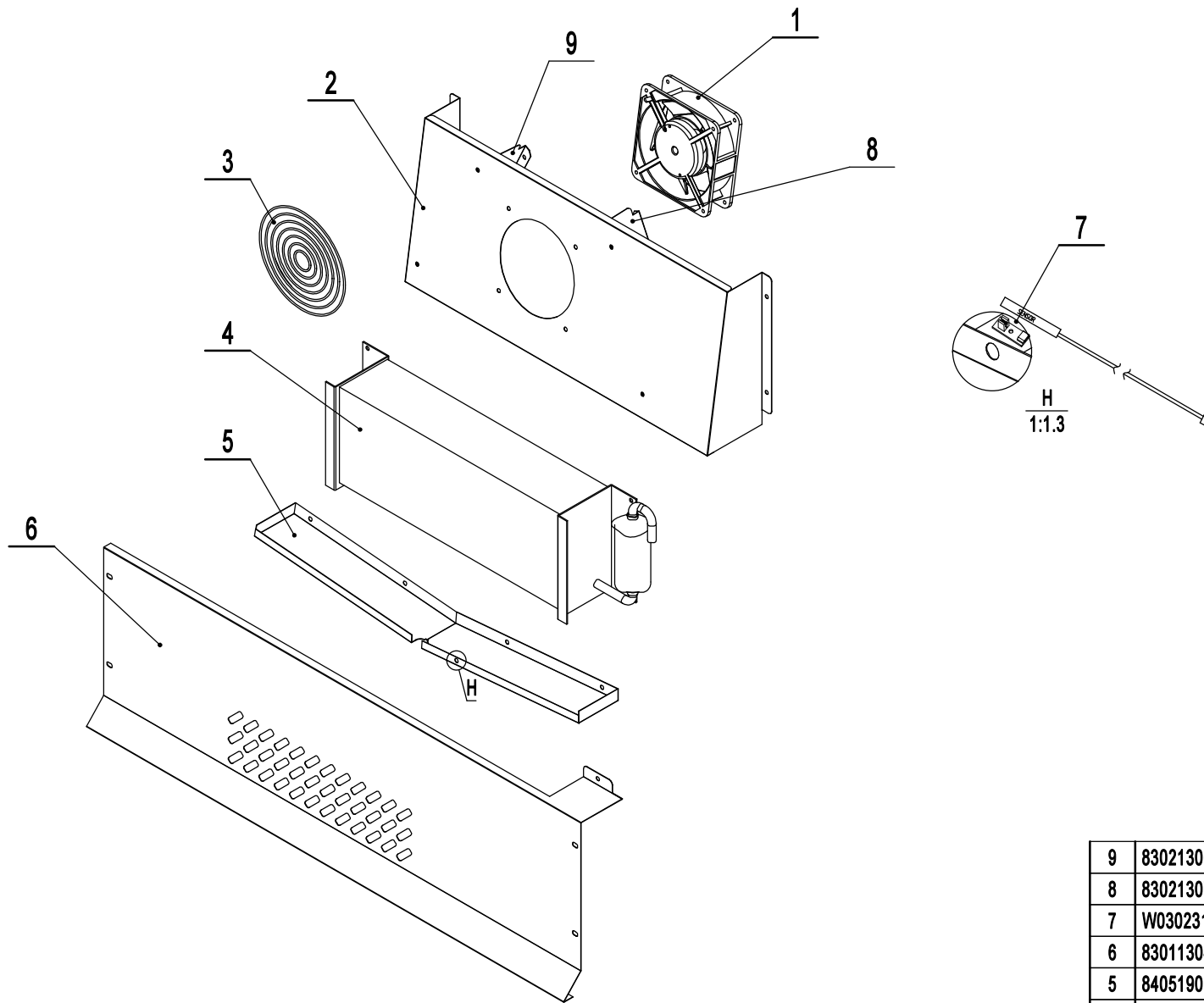


11	W0604079	Condenser Fan Bracket	1
10	W0301060	Condenser Fan Blade	1
9	W0301905	Condenser Fan Motor	1
8	W0204003	Filter Drier	1
7	W0210586	Suction Tube B	1
6	W0201163	Compressor	1
5	W0305134	Power Cord	1
4	83012102	Condensing Unit Board	1
3	W0411208	Condenser Drain Pan	1
2	W0210590	Discharge Tube	1
1	W0203065	Condenser	1

No.	Part #	Part Name	Qty
-----	--------	-----------	-----

MSF8305GR-EA

REV 10.2024

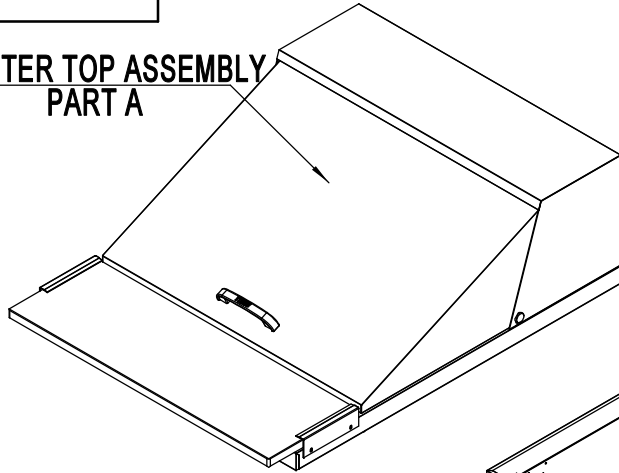


9	83021306	Evap Left Air Deflector	1
8	83021307	Evap Right Air Deflector	1
7	W0302316	Room Temp White Probe	1
6	83011304	Evap Cover	1
5	84051901	Condenser Drain Pan	1
4	W0202124	Evaporator	1
3	W0604065	Evap Fan Guard	1
2	83011303	Evap Fan Shroud	1
1	W0301101	Evap Motor	1
<b>No.</b>	<b>Part #</b>	<b>Part Name</b>	<b>Qty</b>

MSF8305GR

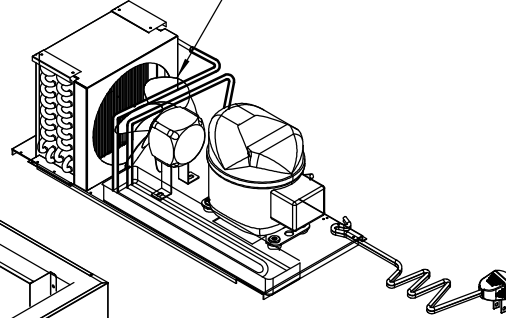
After 2023.05

COUNTER TOP ASSEMBLY  
PART A

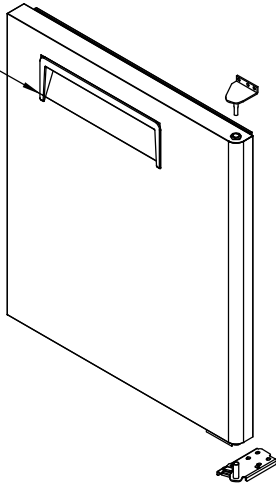


EVAPORATOR ASSEMBLY  
PART F

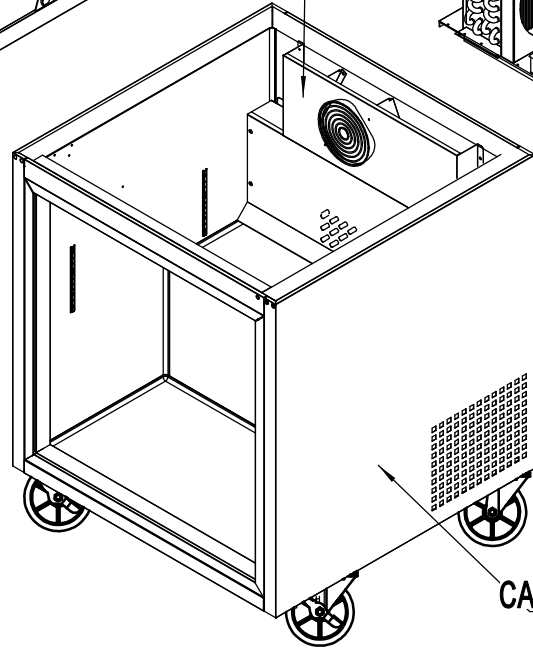
COMPRESSOR ASSEMBLY  
PART E



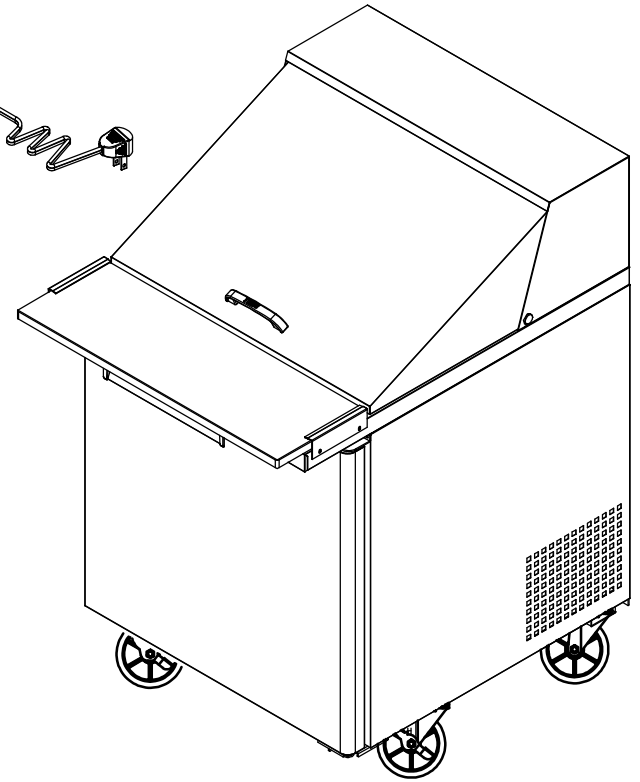
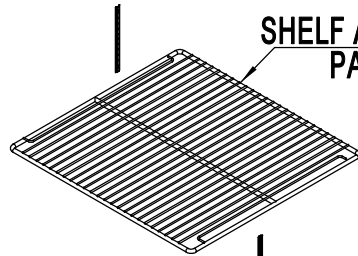
DOOR ASSEMBLY  
PART B



CABINET ASSEMBLY  
PART D

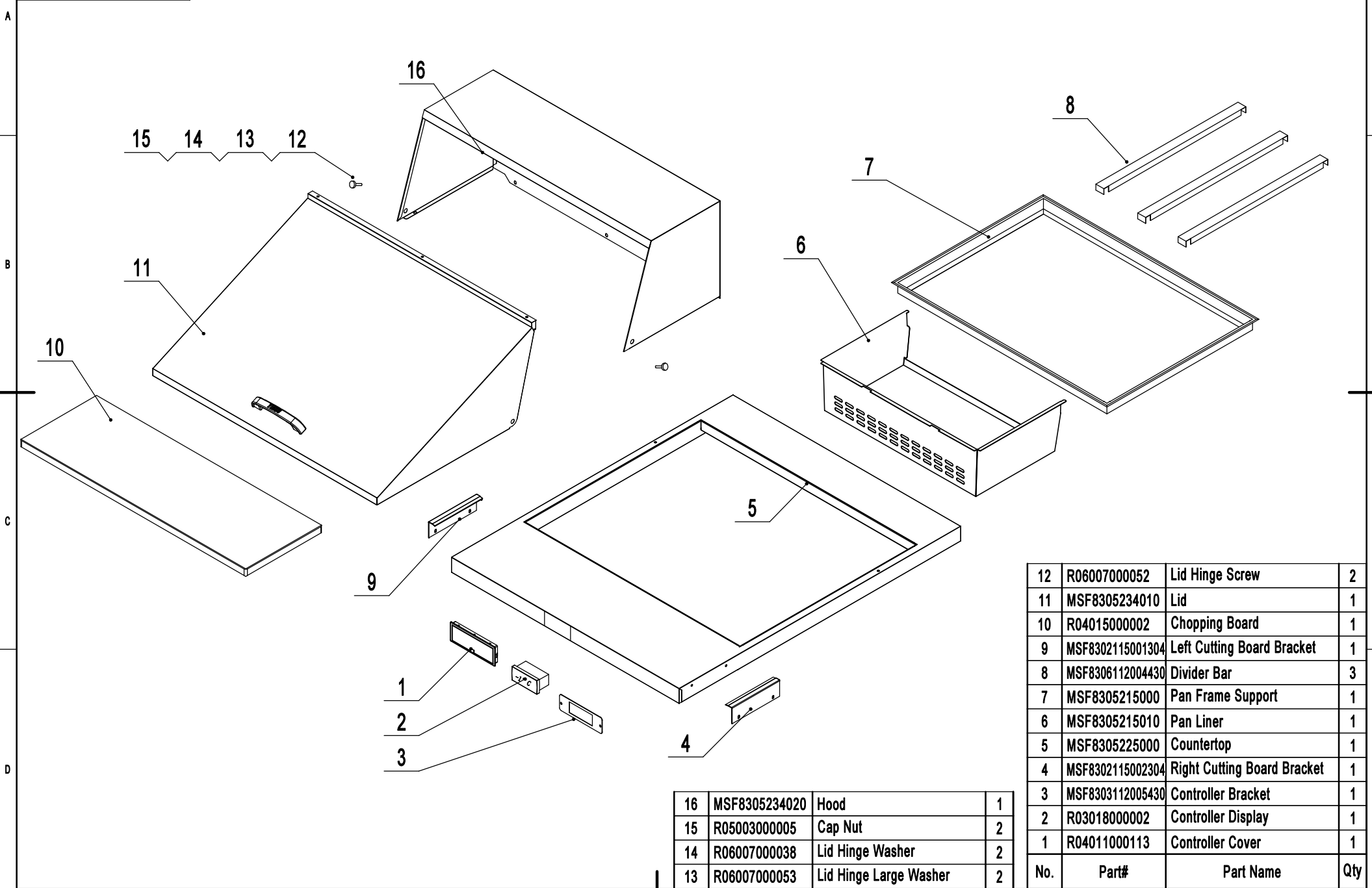


SHELF ASSEMBLY  
PART C



**PART A**

2025.2.10

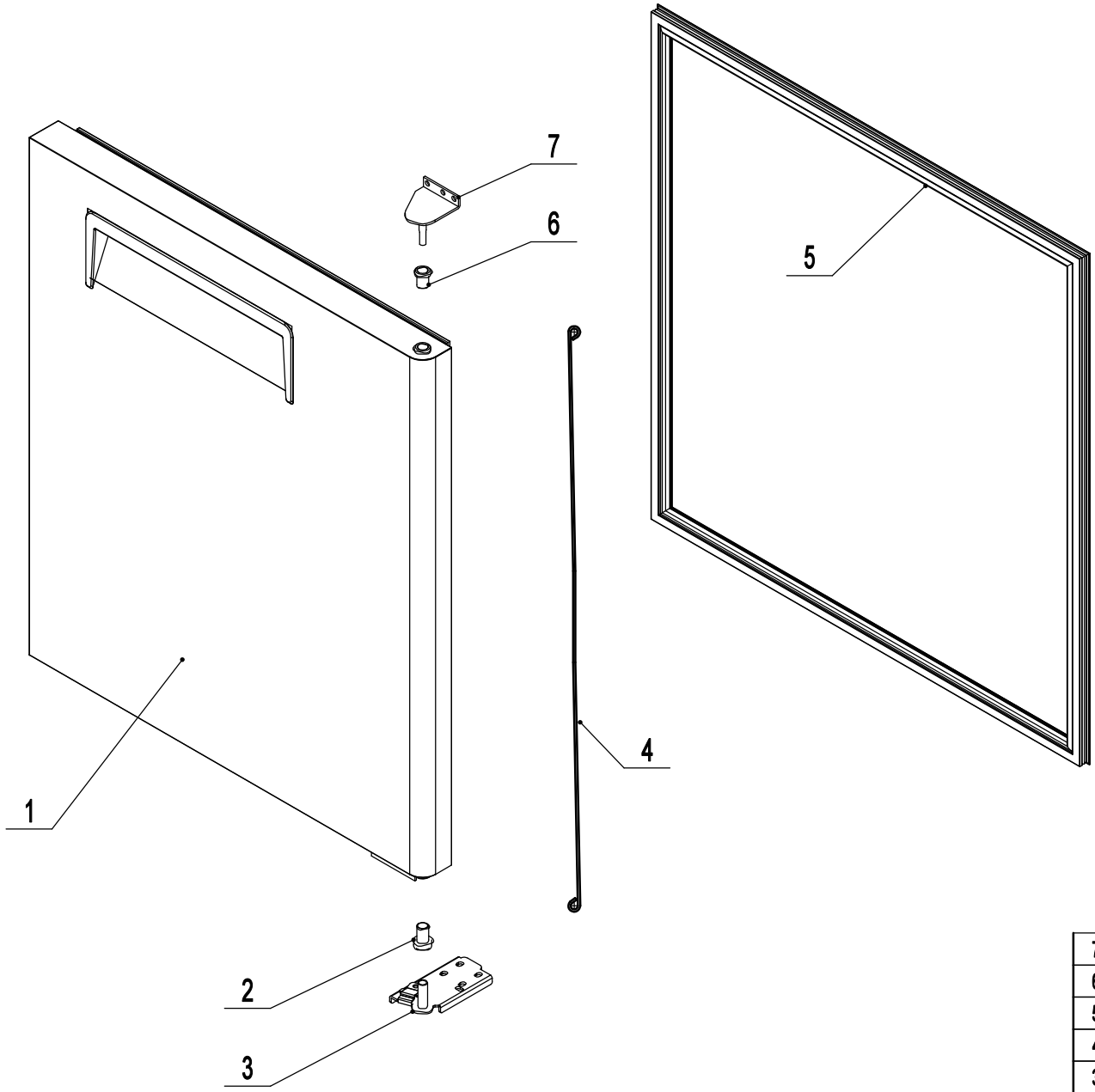


16	MSF8305234020	Hood	1
15	R05003000005	Cap Nut	2
14	R06007000038	Lid Hinge Washer	2
13	R06007000053	Lid Hinge Large Washer	2

12	R06007000052	Lid Hinge Screw	2
11	MSF8305234010	Lid	1
10	R04015000002	Chopping Board	1
9	MSF8302115001304	Left Cutting Board Bracket	1
8	MSF8306112004430	Divider Bar	3
7	MSF8305215000	Pan Frame Support	1
6	MSF8305215010	Pan Liner	1
5	MSF8305225000	Countertop	1
4	MSF8302115002304	Right Cutting Board Bracket	1
3	MSF8303112005430	Controller Bracket	1
2	R03018000002	Controller Display	1
1	R04011000113	Controller Cover	1
No.	Part#	Part Name	Qty

**PART B**

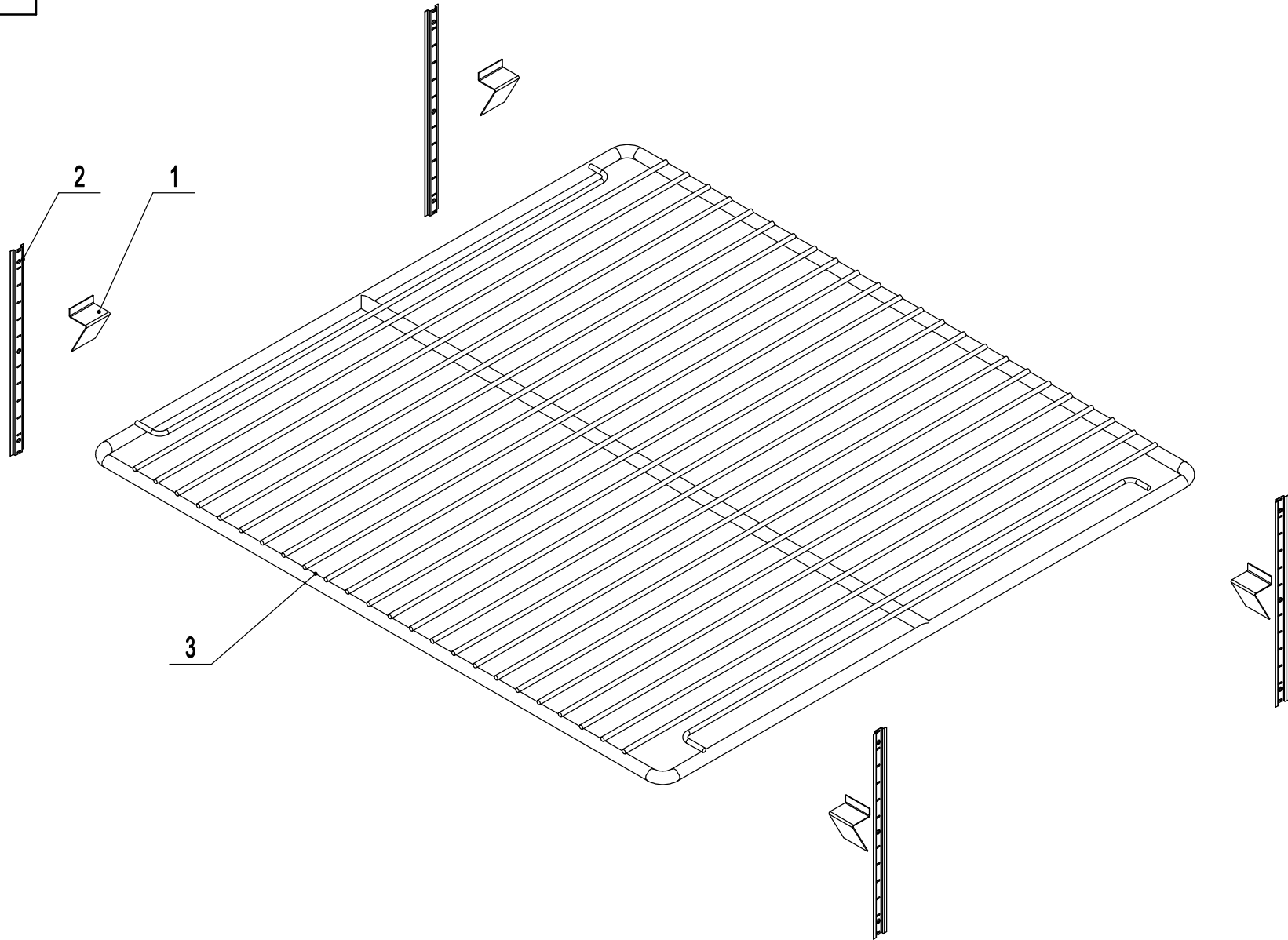
2025.2.10



7	R06007000043	Top Right Hinge	1
6	R04011000091	Top Door Shaft Sleeve	1
5	R04003000046	Door Gasket	1
4	R06007000086	Door Spring Rod	1
3	R06007000045	Bottom Right Hinge	1
2	R04011000089	Bottom Door Shaft Sleeve	1
1	MGF8401221000	Door Assembly	1
No.	Part#	Part Name	Qty

PART C

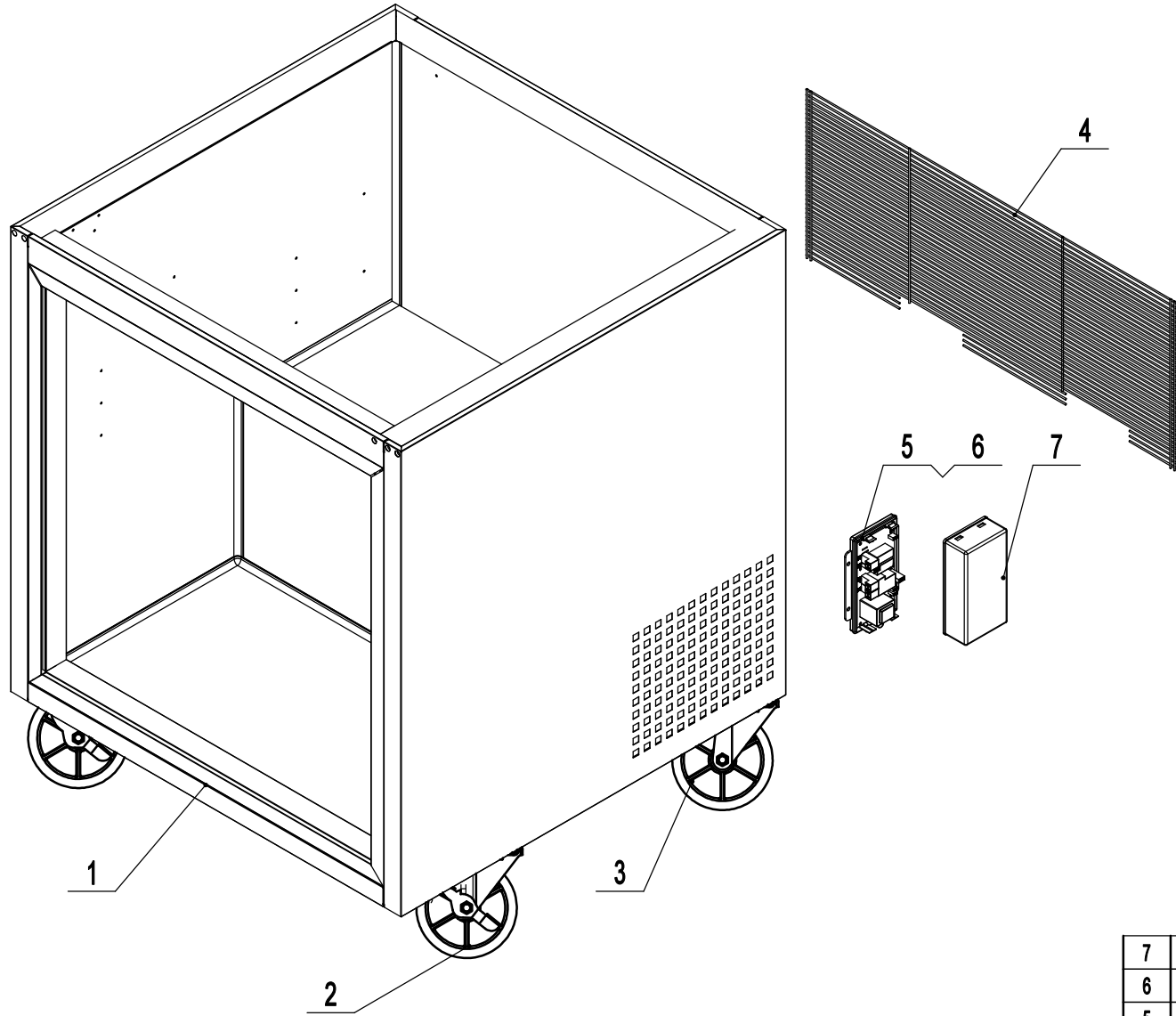
2025.2.10



3	R06004000056	Shelf	1
2	QPL6749115001430	Shelf Pilaster	4
1	QPL6649115001410	Shelf Clip	4
No.	Part#	Part Name	Qty

PART D

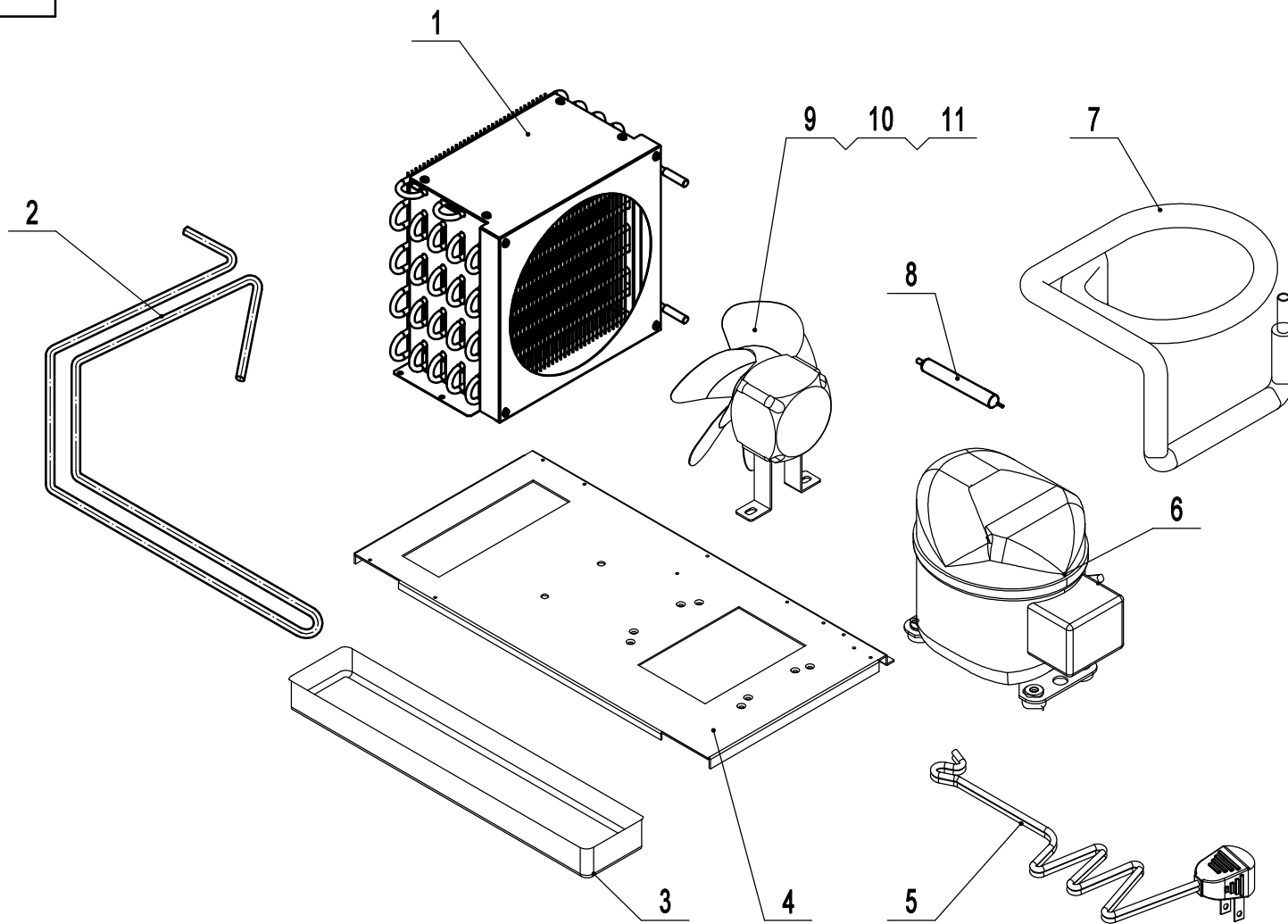
2025.2010



7	R04011000037	Controller Box Cover	1
6	R03002000089-CCAZN2	Digital Controller	1
5	R04011000036	Controller Box	1
4	R06005000016	Back Barrier	1
3	R06001000015	3" Plate Caster W/O Brake	2
2	R06001000016	3" Plate Caster W/ Brake	2
1	MSF8301206051	Cabinet Assembly	1
No.	Part#	Part Name	Qty

PART E

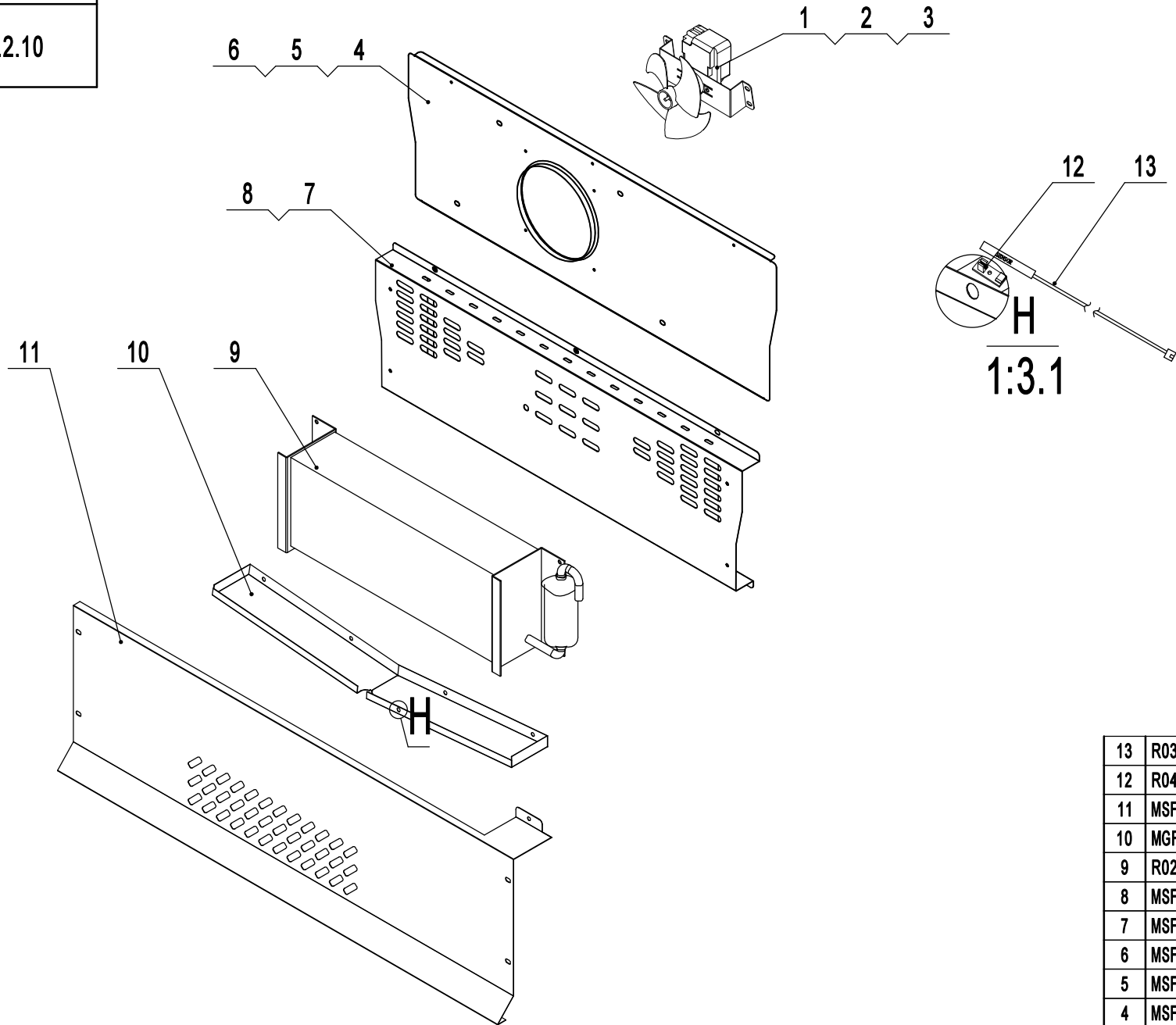
2025.2.10



11	R06099000057	Fan Motor Bracket	1	5	R03005000012	Power Cord	1
10	R03000000013	Evap Fan Blade	1	4	MSF8301113007500	Condensing Unit Board	1
9	R03001000100	Condenser Fan Motor	1	3	MBC0050103003430	Evap Drain Pan	1
8	R02014000001	Filter Drier	1	2	R02015000191	Discharge Tube	1
7	R02015000187	Suction Tube B	1	1	R02005000014	Condenser	1
6	R02000000006	Compressor	1	No.	Part#	Part Name	Qty

**PART F**

2025.2.10



13	R03019000012	Room Temp White Probe	1
12	R04011000080	Probe Clip	1
11	MSF8301104011430	Evap Cover	1
10	MGF8405104001430	Evaporator Drain Pan	1
9	R02002000033	Evaporator	1
8	MSF8308104001430	Cabinet Air Deflector	1
7	MSF8305104000430	Cabinet Air Deflector	1
6	MSF8302104006430	Evap Right Air Deflector	1
5	MSF8302104005430	Evap Left Air Deflector	1
4	MSF8301104011430	Evap Fan Shroud	1
3	MSF3610112004304	Evap Motor Bracket	1
2	R03000000001	Evap Fan Blade	1
1	R03001000009	Evap Fan Motor	1
No.	Part#	Part Name	Qty