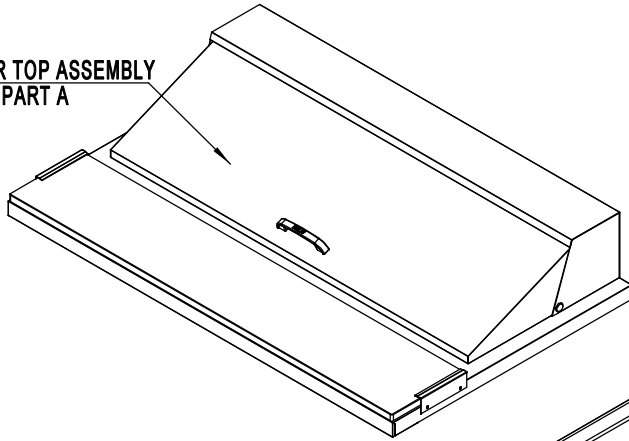


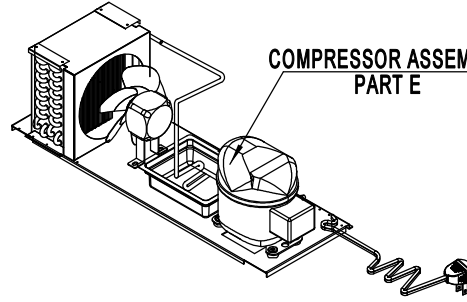
MSF8302GR

REV 10.2024

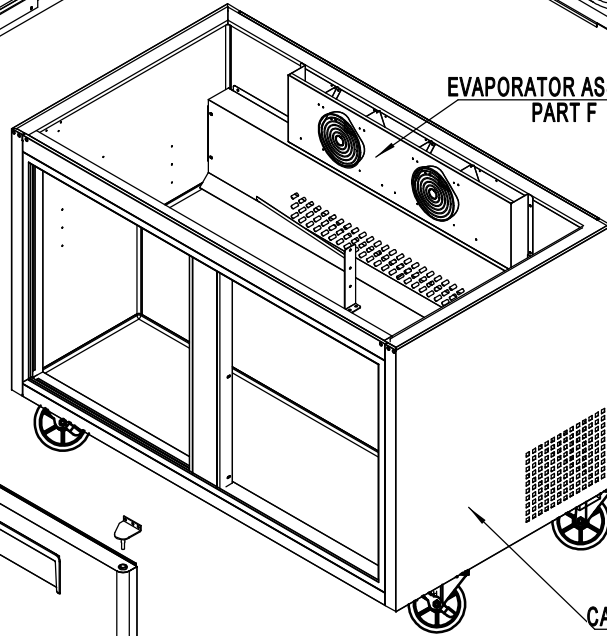
COUNTER TOP ASSEMBLY
PART A



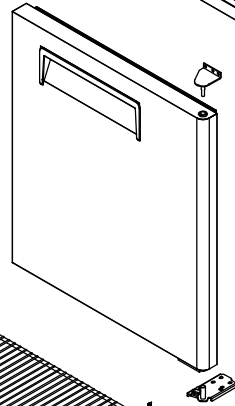
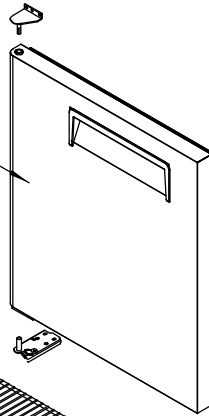
COMPRESSOR ASSEMBLY
PART E



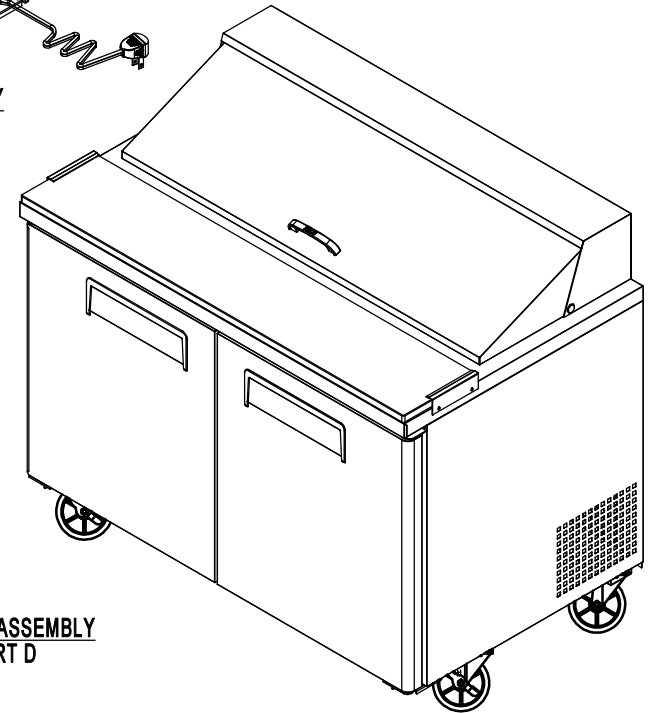
EVAPORATOR ASSEMBLY
PART F



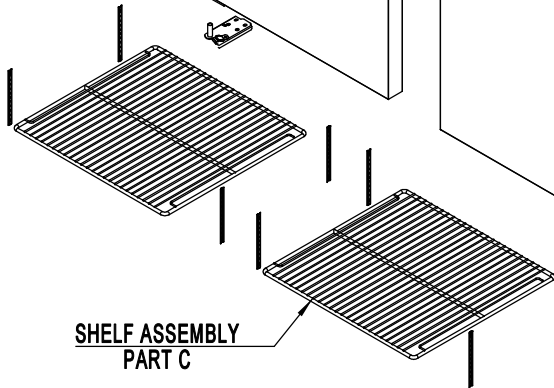
DOOR ASSEMBLY
PART B



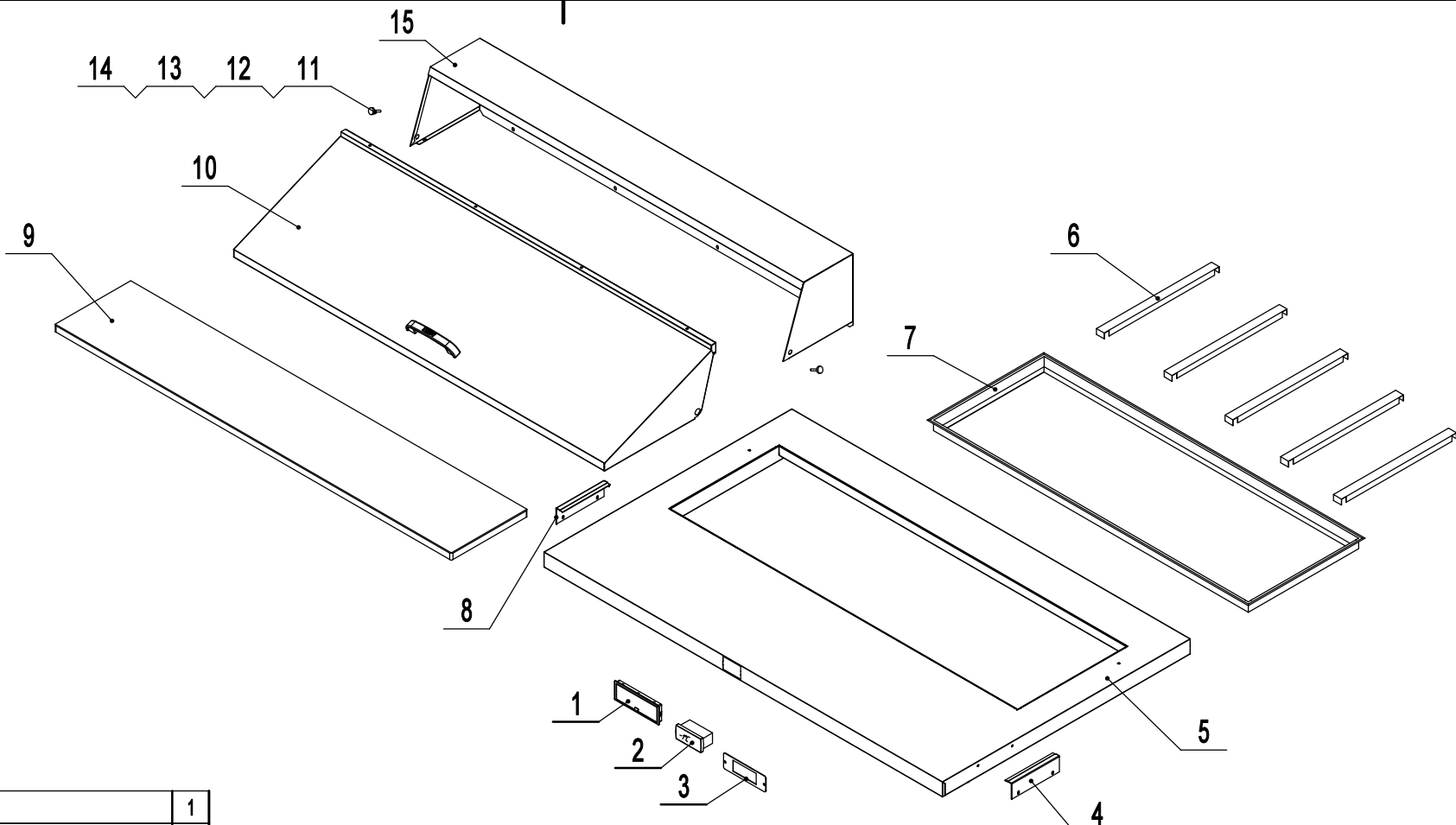
CABINET ASSEMBLY
PART D



SHELF ASSEMBLY
PART C



MSF8302GR-CTA
REV 10.2024



15	MSF8302AJ04	Hood	1
14	B0503101	Stainless Steel Cap Nut	2
13	W0604021	Lid Hinge Washer	2
12	W0604040	Big Lid Hinge Washer	2
11	W0604039	Lid Hinge Screw	2
10	MSF8302AJ03	Lid	1
9	W0499198	Chopping Board	1
8	83022702	Left Chopping Board Bracket	1
7	MSF8302AI02	Pan Frame Support	1
6	83022202	Pan Divided Bar	5
5	MSF8302FF01	Counter Top Assembly	1
4	83022703	Chopping Board Bracket	1
3	83032302	Controller Bracket	1
2	W0302024	Controller Display	1
1	W0409878	Controller Cover	1
No.	Part #	Part Name	Qty

MSF8302GR-DA

REV 10.2024

A

B

C

D

1

2

3

4

5

6

1

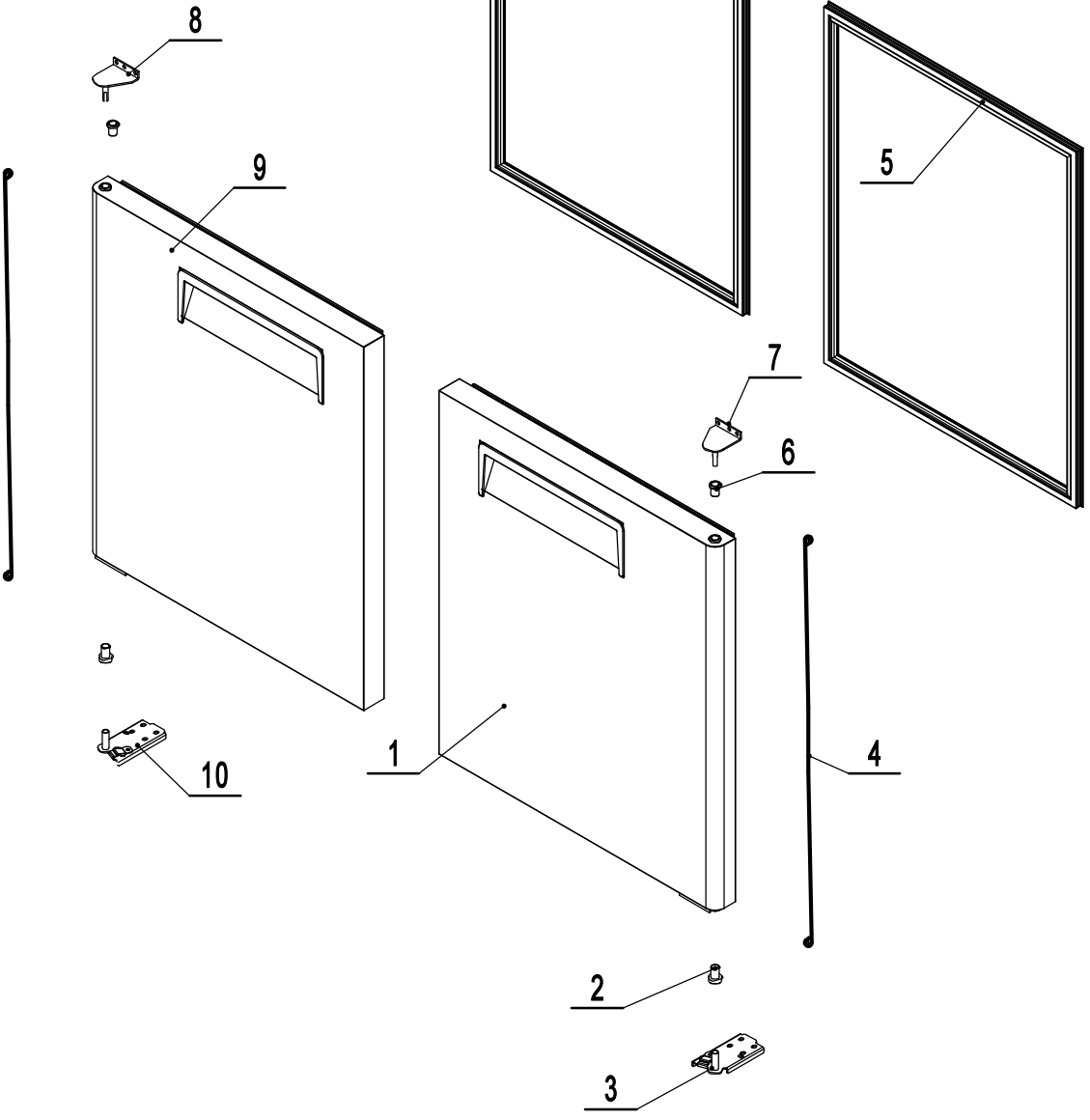
2

3

4

5

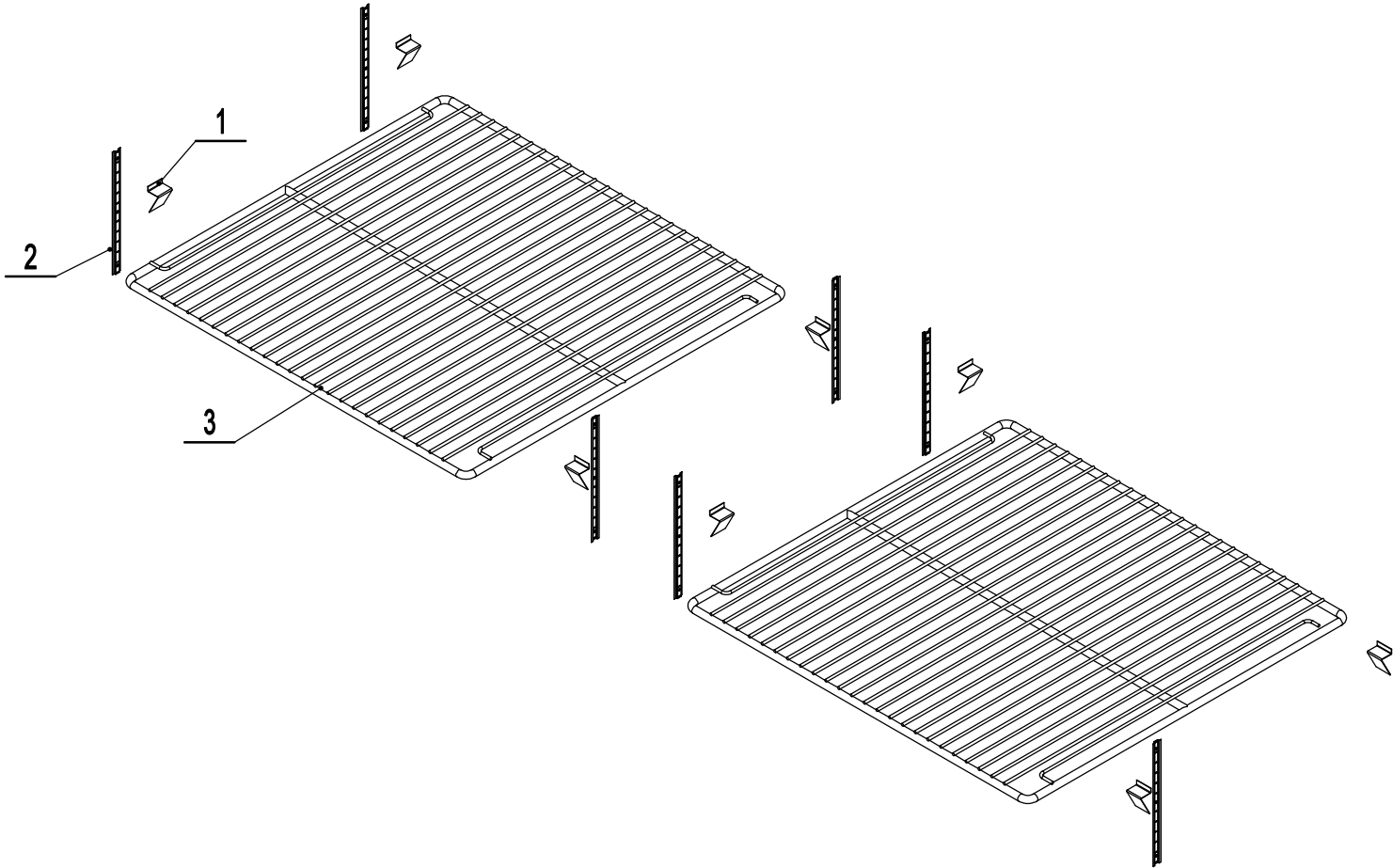
6



10	W0604029	Bottom Left Hinge	1
9	MSF8304FC01	Left Door Assembly	1
8	W0604027	Top Left Hinge	1
7	W0604026	Top Right Hinge	1
6	W0409845	Top Door Shaft Sleeve	2
5	W0404520	Door Gasket	2
4	W0604922	Door Spring Bar	2
3	W0604028	Bottom Right Hinge	1
2	W0409843	Bottom Door Shaft Sleeve	2
1	MSF8304FC03	Right Door Assembly	1
No.	Part #	Part Name	Qty

MSF8302GR-SA

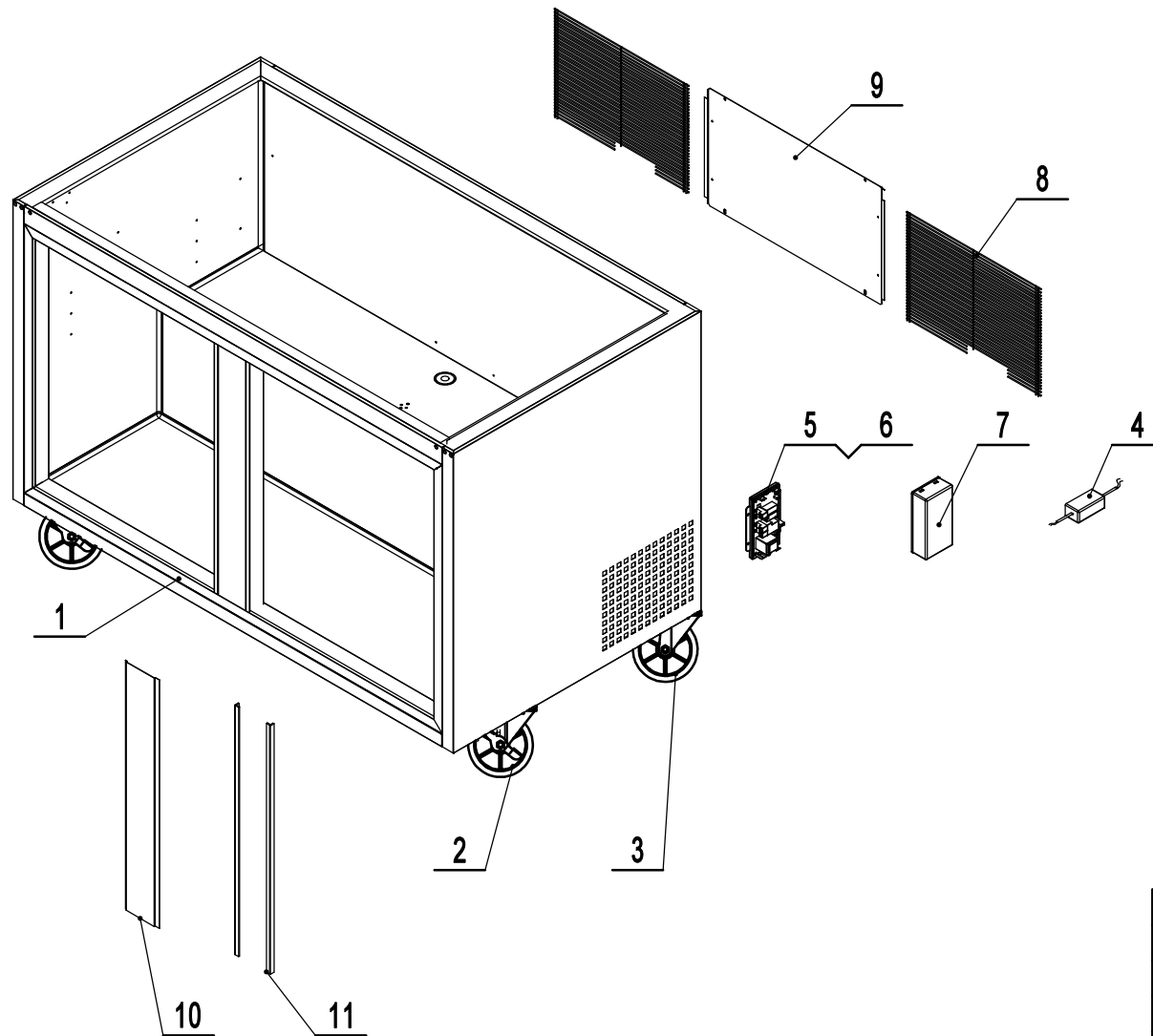
REV 10.2024



3	W0402171	Shelf, 21-1/2 x 17-5/8	2
2	24432012	Shelf Pilaster	8
1	66490313	Shelf Clip	8
No.	Part #	Part Name	Qty

MSF8302GR-CA

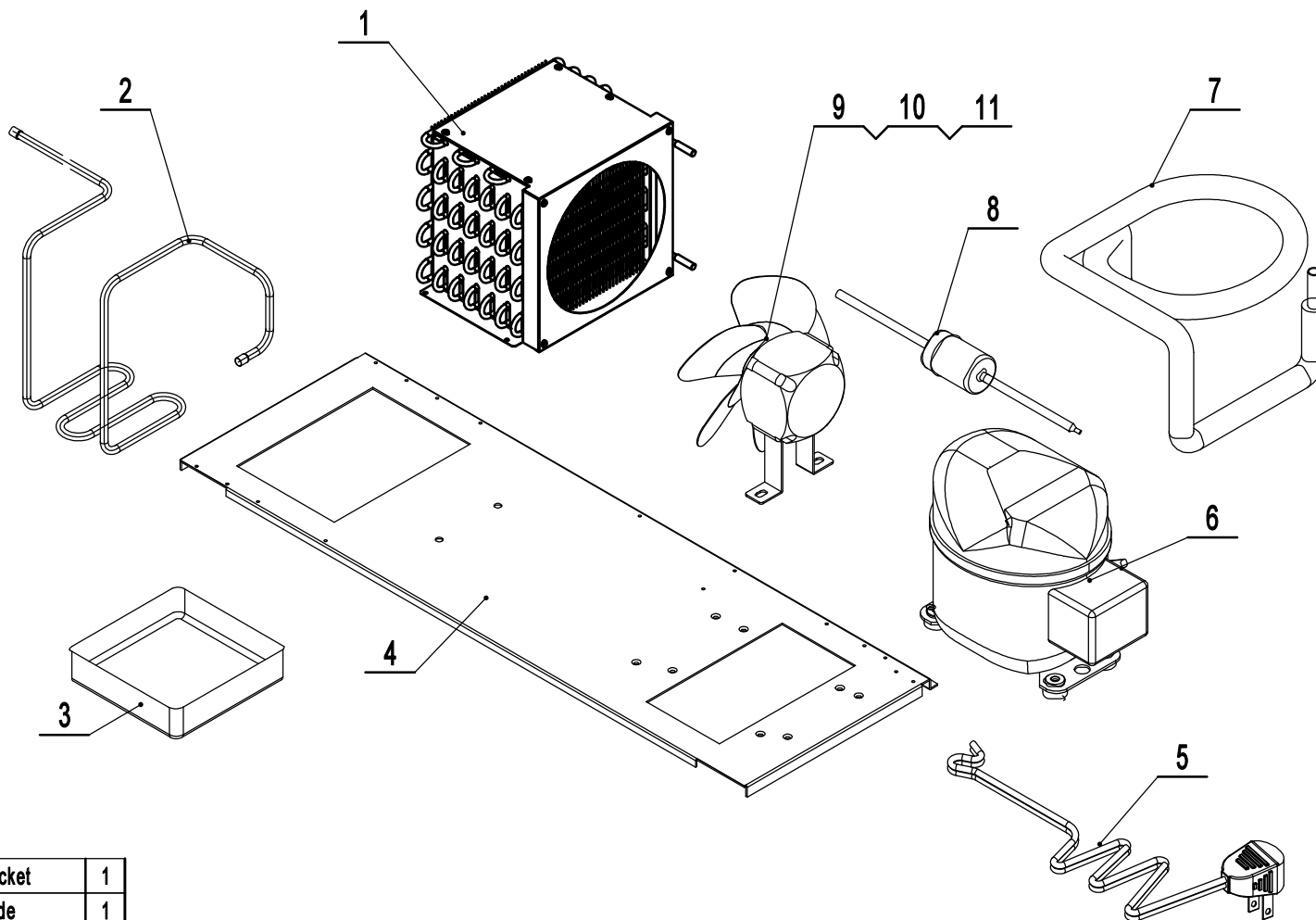
REV 10.2024



11	W0406117	Middle Mullion Grille	2
10	83031201	Mullion Front Cover	1
9	83021908	Back Cover	1
8	W0402576	Back Barrier	2
7	W0409028	Controller Box Cover	1
6	W0302017	Digital Controller	1
5	W0409027	Controller Box	1
4	W0399112	Power Supply/Transformer	1
3	B0604006	5" M14 Stem Caster	2
2	B0604007	5" M14 Stem Caster W/ Brake	2
1	MSF8302FA01	Cabinet Assembly	1
No.	Part #	Part Name	Qty

MSF8302GR-CCA

REV 10.2024

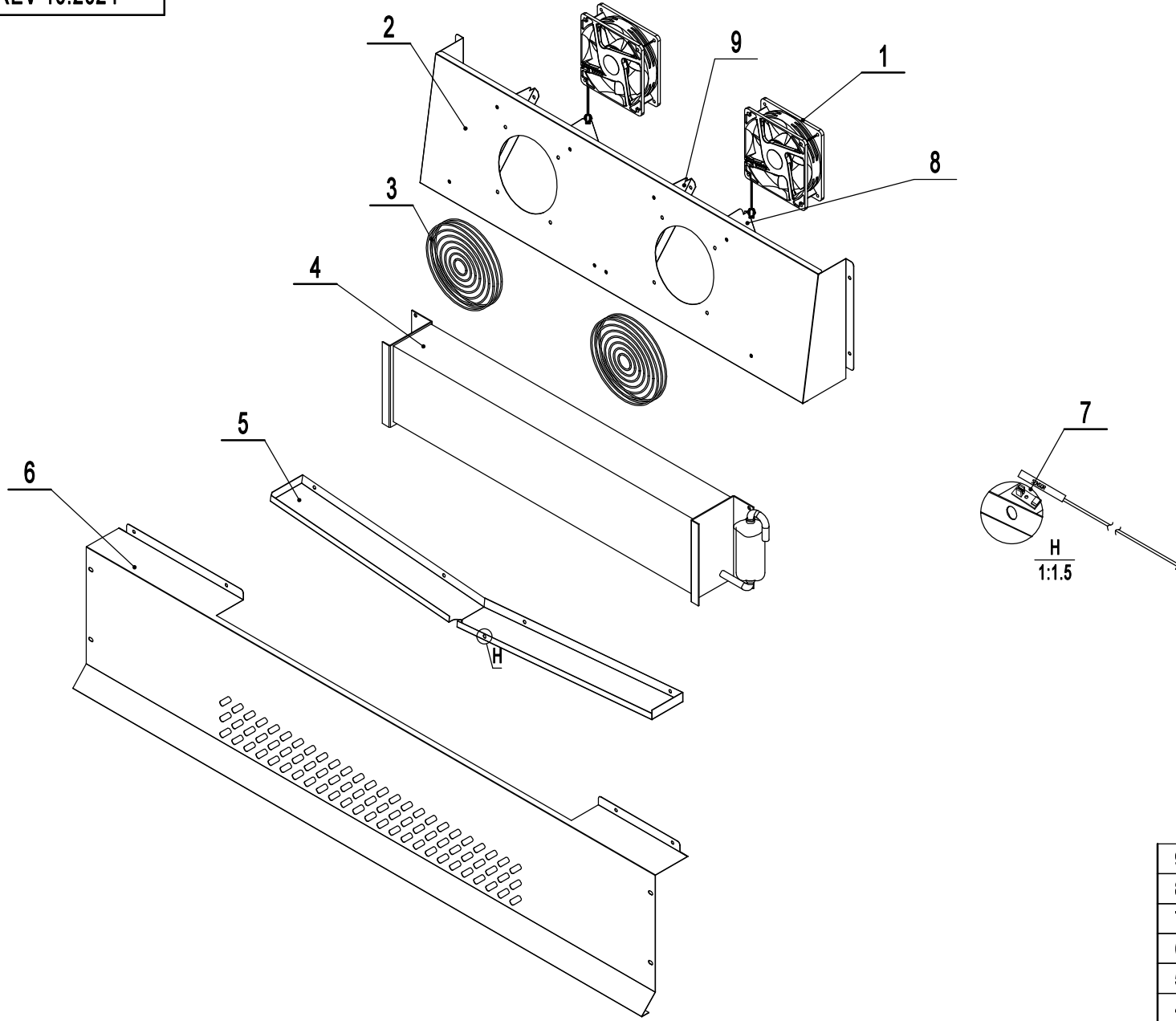


11	W0604079	Condenser Fan Bracket	1
10	W0301060	Condenser Fan Blade	1
9	W0301905	Condenser Fan Motor	1
8	W0204003	Filter Drier	1
7	W0210582	Suction Tube B	1
6	W0201163	Compressor	1
5	W0305134	Power Cord	1
4	83022105	Condensing Unit Board	1
3	W0411206	Condenser Drain Pan	1
2	W0210591	Discharge Tube	1
1	W0203065	Condenser	1

No.	Part #	Part Name	Qty
-----	--------	-----------	-----

MSF8302GR-EA

REV 10.2024

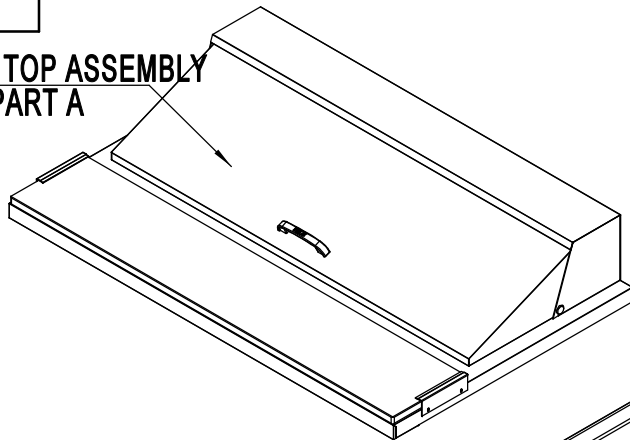


9	83021306	Evap Left Air Deflector	2
8	83021307	Evap Right Air Deflector	2
7	W0302316	Room Temp White Probe	1
6	84021703	Evap Cover	1
5	84061901	Evap Drain Pan	1
4	W0202121	Evaporator	1
3	W0604065	Evap Fan Guard	2
2	83021308	Evap Fan Shroud	1
1	W0301101	Evap Motor	2
No.	Part #	Part Name	Qty

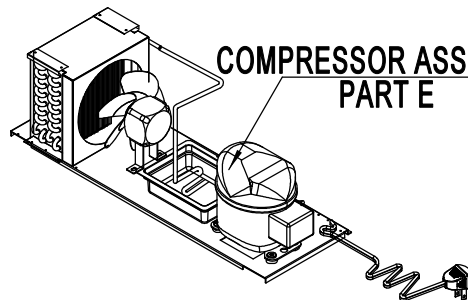
MSF8302GR

After 2023.05

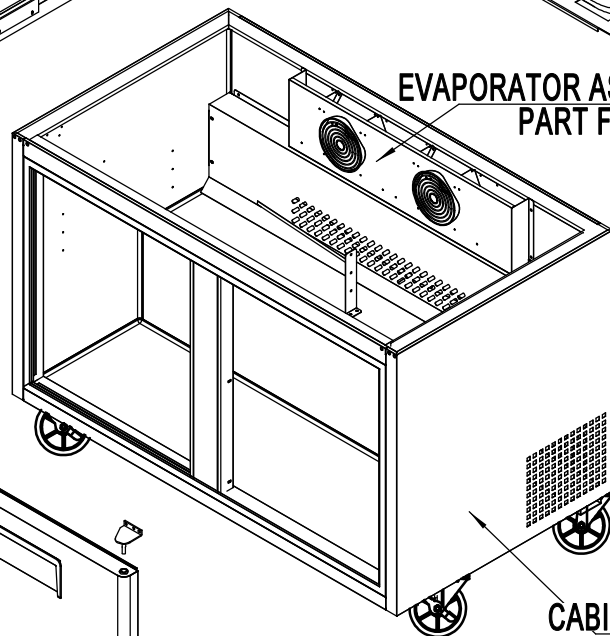
COUNTER TOP ASSEMBLY
PART A



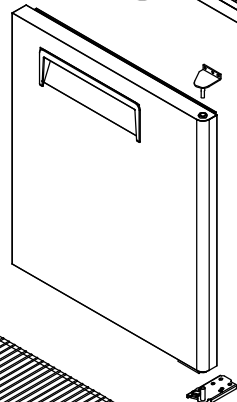
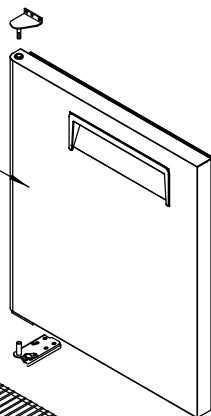
COMPRESSOR ASSEMBLY
PART E



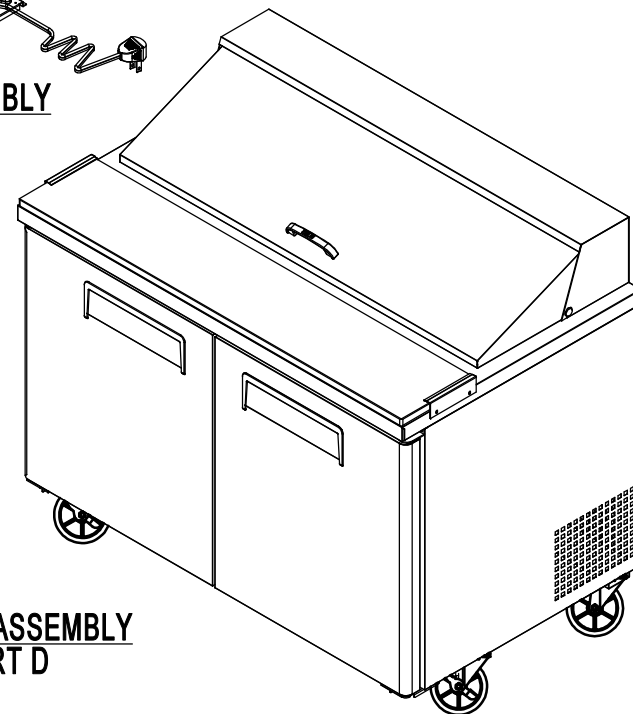
EVAPORATOR ASSEMBLY
PART F



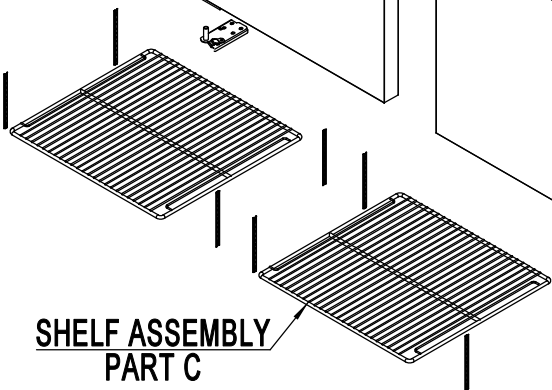
DOOR ASSEMBLY
PART B



CABINET ASSEMBLY
PART D

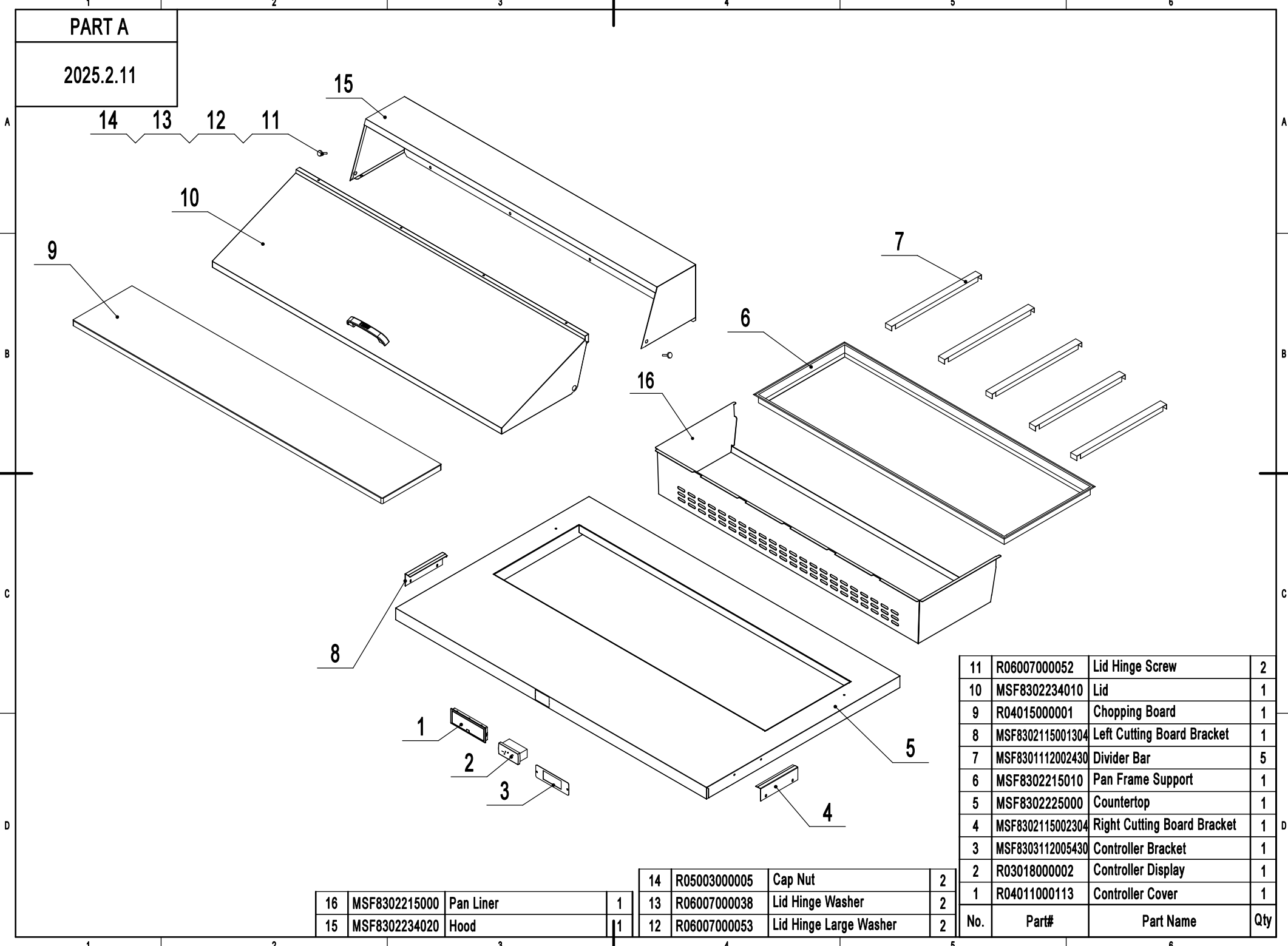


SHELF ASSEMBLY
PART C



PART A

2025.2.11



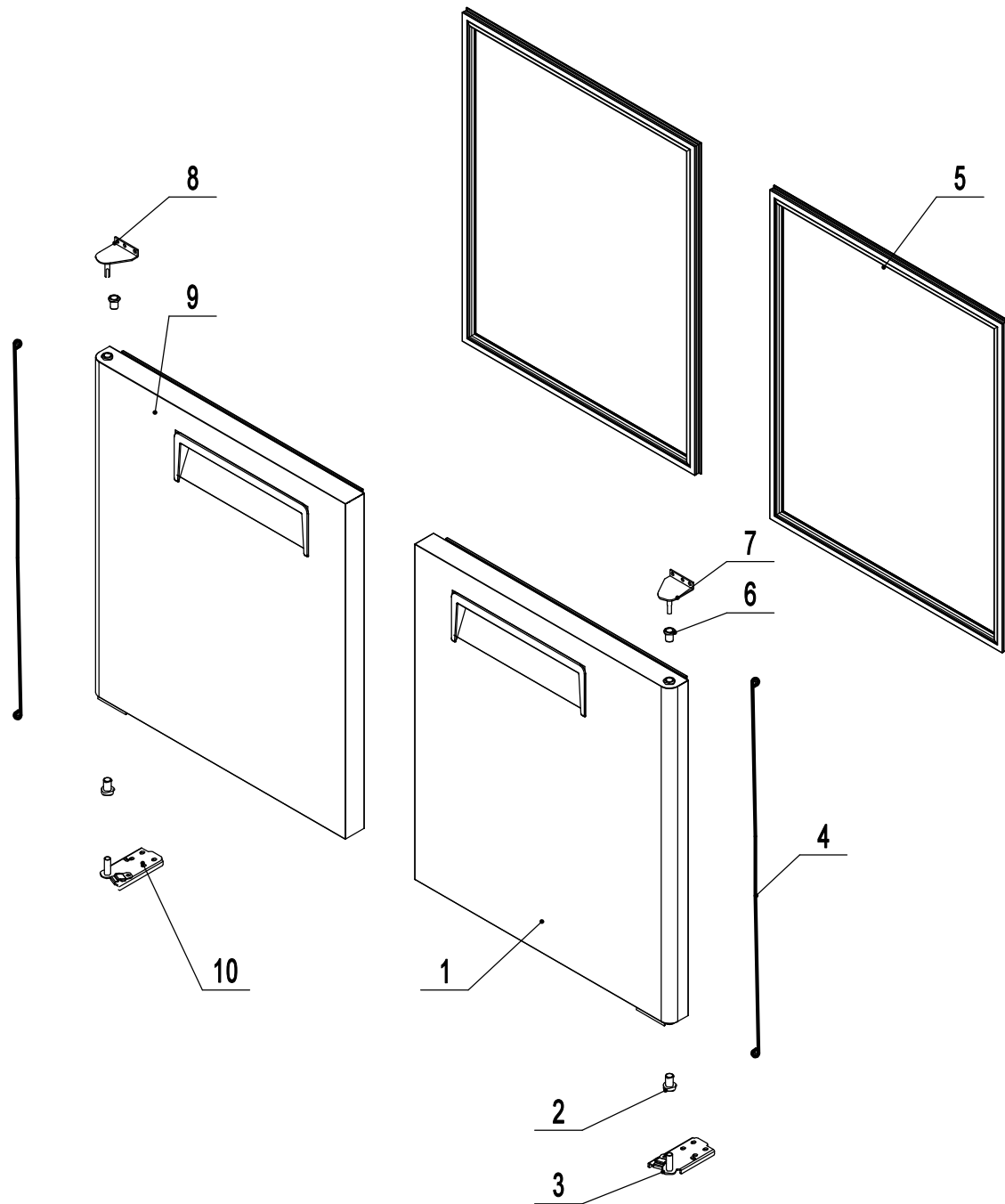
16	MSF8302215000	Pan Liner	1
15	MSF8302234020	Hood	11

14	R05003000005	Cap Nut	2
13	R06007000038	Lid Hinge Washer	2
12	R06007000053	Lid Hinge Large Washer	2

11	R06007000052	Lid Hinge Screw	2
10	MSF8302234010	Lid	1
9	R04015000001	Chopping Board	1
8	MSF8302115001304	Left Cutting Board Bracket	1
7	MSF8301112002430	Divider Bar	5
6	MSF8302215010	Pan Frame Support	1
5	MSF8302225000	Countertop	1
4	MSF8302115002304	Right Cutting Board Bracket	1
3	MSF8303112005430	Controller Bracket	1
2	R03018000002	Controller Display	1
1	R04011000113	Controller Cover	1
No.	Part#	Part Name	Qty

PART B

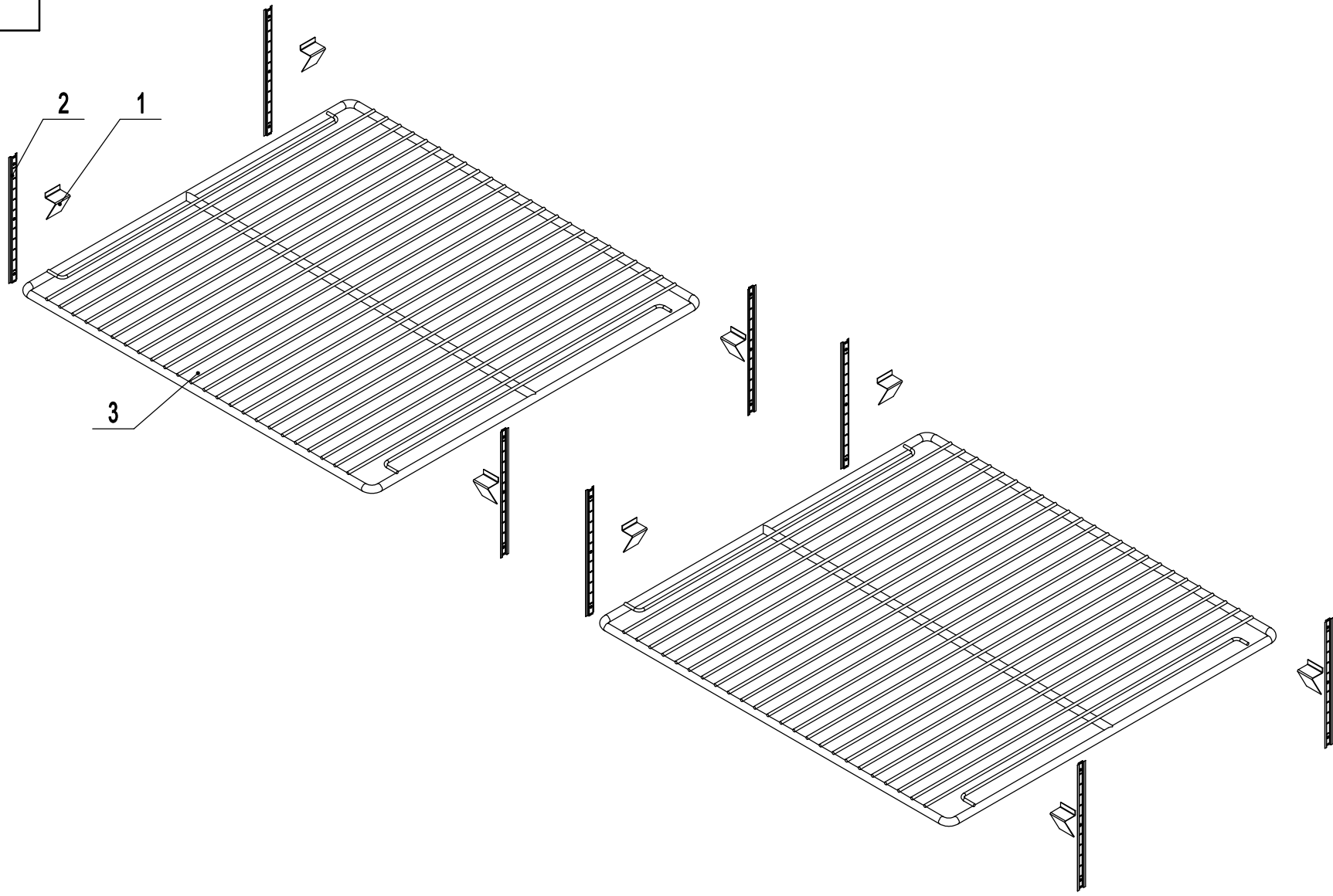
2025.2.11



10	R06007000046	Bottom Left Hinge	1
9	MGF8402221000	Left Door Assembly	1
8	R06007000044	Top Left Hinge	1
7	R06007000043	Top Right Hinge	1
6	R04011000091	Top Door Shaft Sleeve	2
5	R04003000048	Door Gasket	2
4	R06007000086	Door Spring Bar	2
3	R06007000045	Bottom Right Hinge	1
2	R04011000089	Bottom Door Shaft Sleeve	2
1	MGF8402221010	Right Door Assembly	1
No.	Part#	Part Name	Qty

PART C

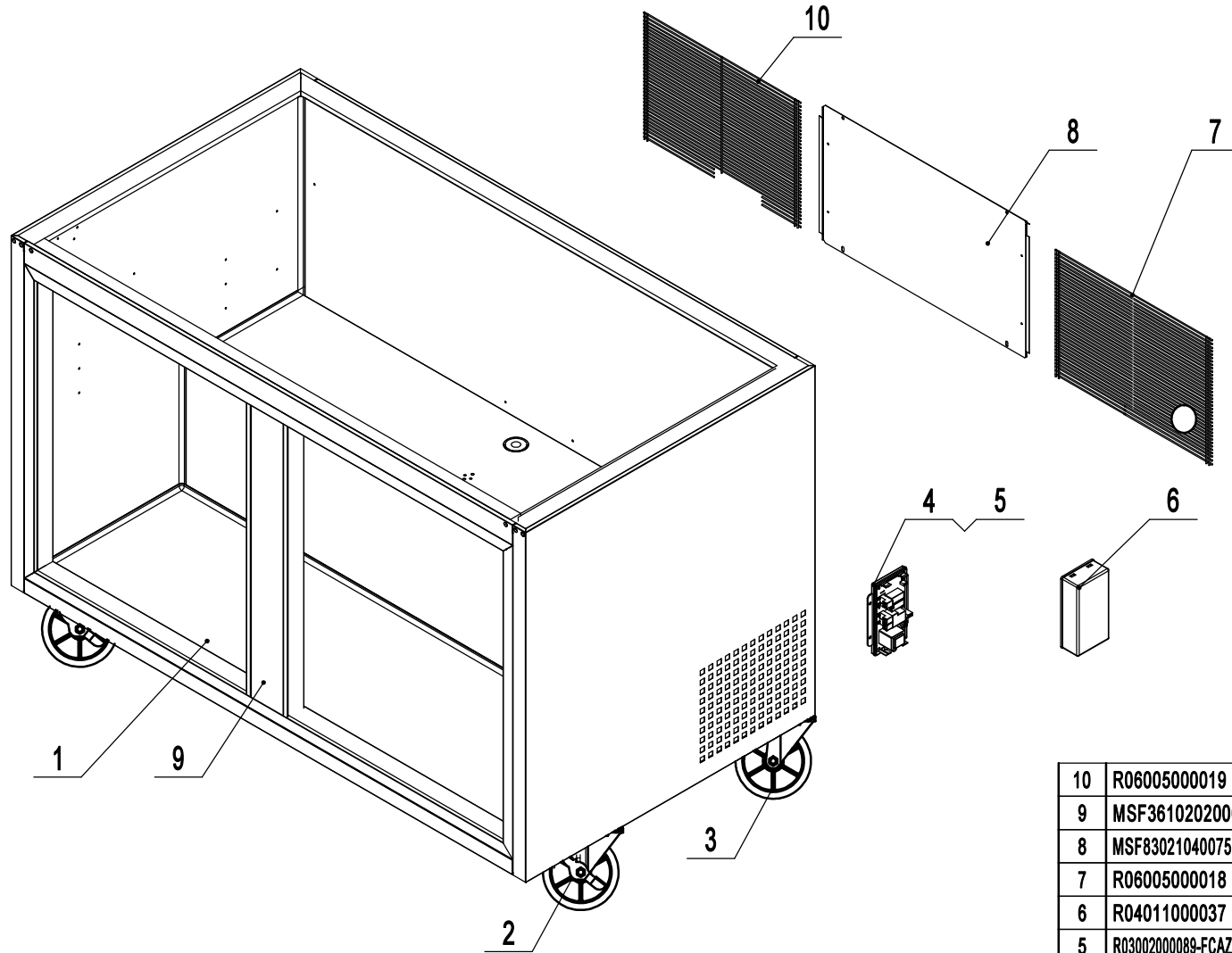
2025.2.10



3	R06004000009	Shelf	2
2	QPL6749115001430	Shelf Pilaster	8
1	QPL6649115001410	Shelf Clip	8
No.	Part#	Part Name	Qty

PART D

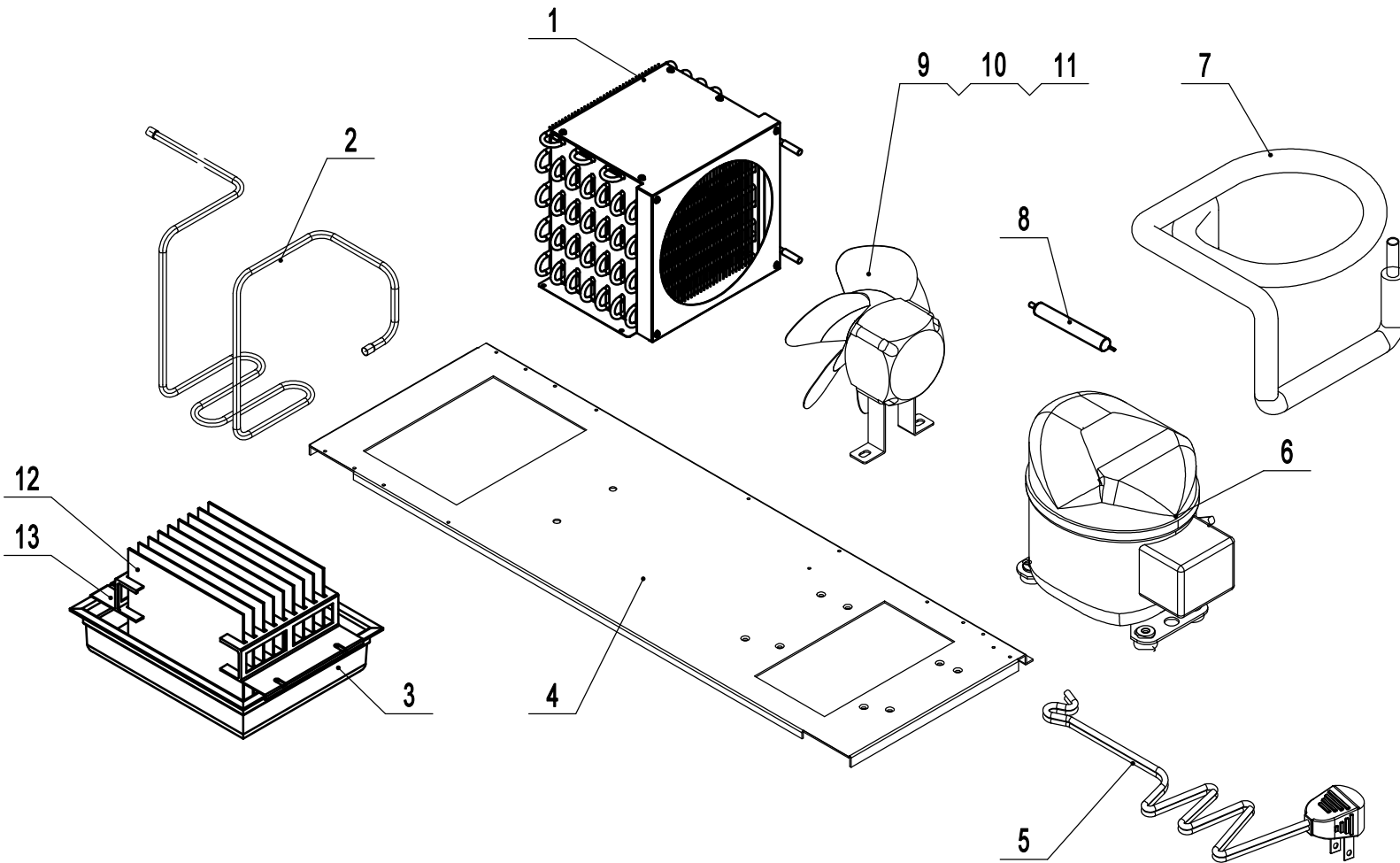
2025.2.11



10	R06005000019	Back Barrier	1
9	MSF3610202000	Mullion	1
8	MSF8302104007500	Back Cover	1
7	R06005000018	Back Barrier	1
6	R04011000037	Controller Box Cover	1
5	R03002000089-FCAZN2	Digital Controller	1
4	R04011000036	Controller Box	1
3	R06001000015	3" Plate Caster W/O Brake	2
2	R06001000016	3" Plate Caster W/ Brake	2
1	MGF8402206051	Cabinet Assembly	1
No.	Part#	Part Name	Qty

PART E

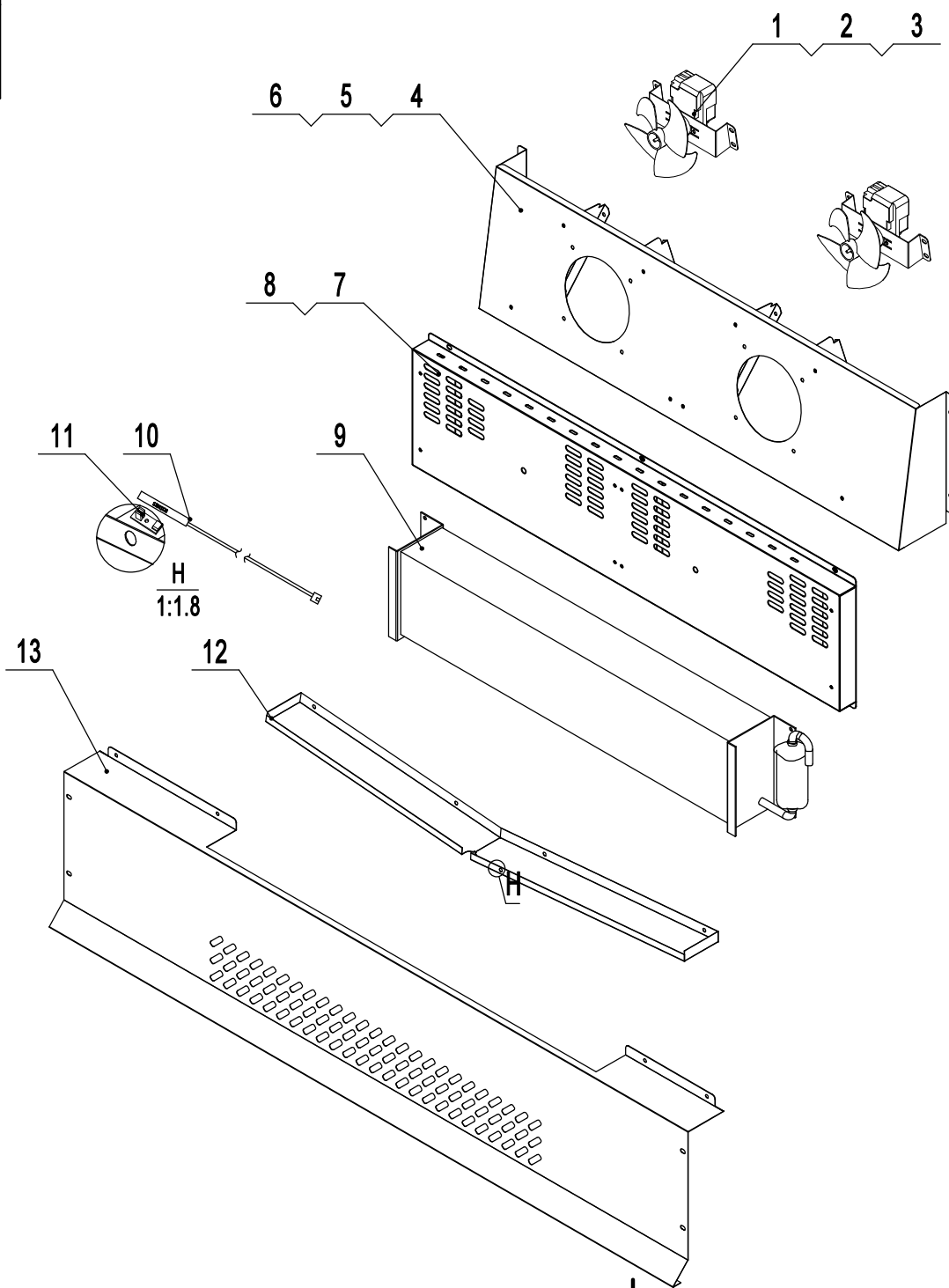
2025.2.11



13	R04011000499	Wicking Paper Bracket	2	5	R03005000012	Power Cord	1
12	R04099000011	Wicking Paper	9	4	MSF8302113007500	Condensing Unit Board	1
11	R06099000057	Fan Motor Bracket	1	3	MSF8302103003201	Evap Drain Pan	1
10	R03000000013	Evap Fan Blade	1	2	R02015000192	Discharge Tube	1
9	R03001000100	Condenser Fan Motor	1	1	R02005000014	Condenser	1
8	R02014000001	Filter Drier	1	No.	Part#	Part Name	Qty
7	R02015000185	Suction Tube B	1	6	R02000000006	Compressor	1

PART F

2025.2.11



13	MGF8402104003430	Evap Cover	1
12	MGF8406104001430	Evaporator Drain Pan	1
11	R04011000080	Probe Clip	1
10	R03019000011	Room Temp White Probe	1
9	R02002000032	Evaporator	1
8	MSF8308104001430	Cabinet Air Deflector	4
7	MSF8306104000430	Cabinet Air Deflector	1
6	MSF8302104006430	Evap Right Air Deflector	2
5	MSF8302104005430	Evap Left Air Deflector	2
4	MSF8302104016430	Evap Fan Shroud	1
3	MSF3610112004304	Evap Motor Bracket	2
2	R03000000001	Evap Fan Blade	2
1	R03001000009	Evap Fan Motor	2
No.	Part#	Part Name	Qty