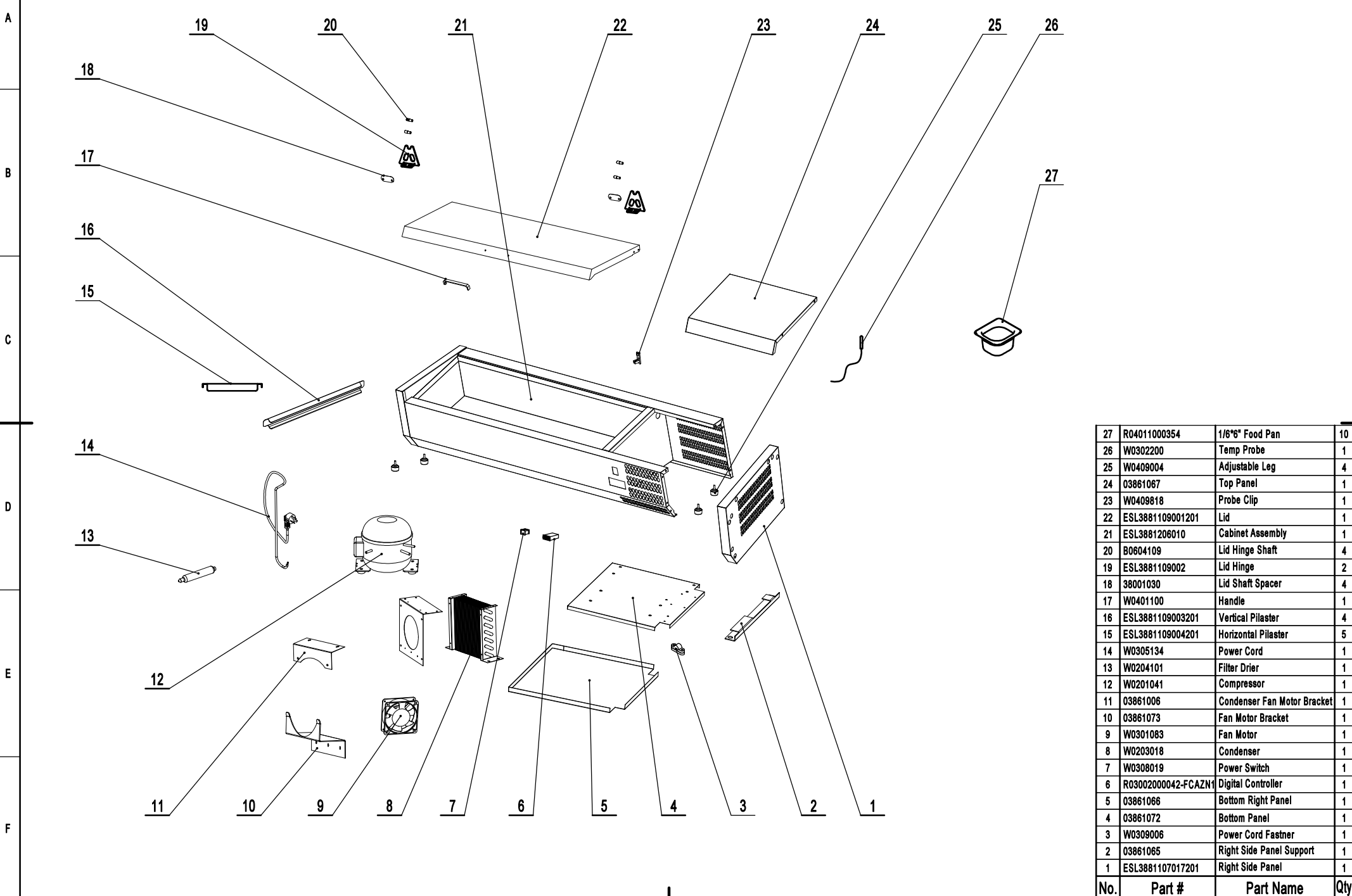


MSCT-48-10

REV 10.2024



27	R04011000354	1/6" Food Pan	10
26	W0302200	Temp Probe	1
25	W0409004	Adjustable Leg	4
24	03861067	Top Panel	1
23	W0409818	Probe Clip	1
22	ESL3881109001201	Lid	1
21	ESL3881206010	Cabinet Assembly	1
20	B0604109	Lid Hinge Shaft	4
19	ESL3881109002	Lid Hinge	2
18	38001030	Lid Shaft Spacer	4
17	W0401100	Handle	1
16	ESL3881109003201	Vertical Pilaster	4
15	ESL3881109004201	Horizontal Pilaster	5
14	W0305134	Power Cord	1
13	W0204101	Filter Drier	1
12	W0201041	Compressor	1
11	03861006	Condenser Fan Motor Bracket	1
10	03861073	Fan Motor Bracket	1
9	W0301083	Fan Motor	1
8	W0203018	Condenser	1
7	W0308019	Power Switch	1
6	R03002000042-FCAZN1	Digital Controller	1
5	03861066	Bottom Right Panel	1
4	03861072	Bottom Panel	1
3	W0309006	Power Cord Fastner	1
2	03861065	Right Side Panel Support	1
1	ESL3881107017201	Right Side Panel	1
No.	Part #	Part Name	Qty