

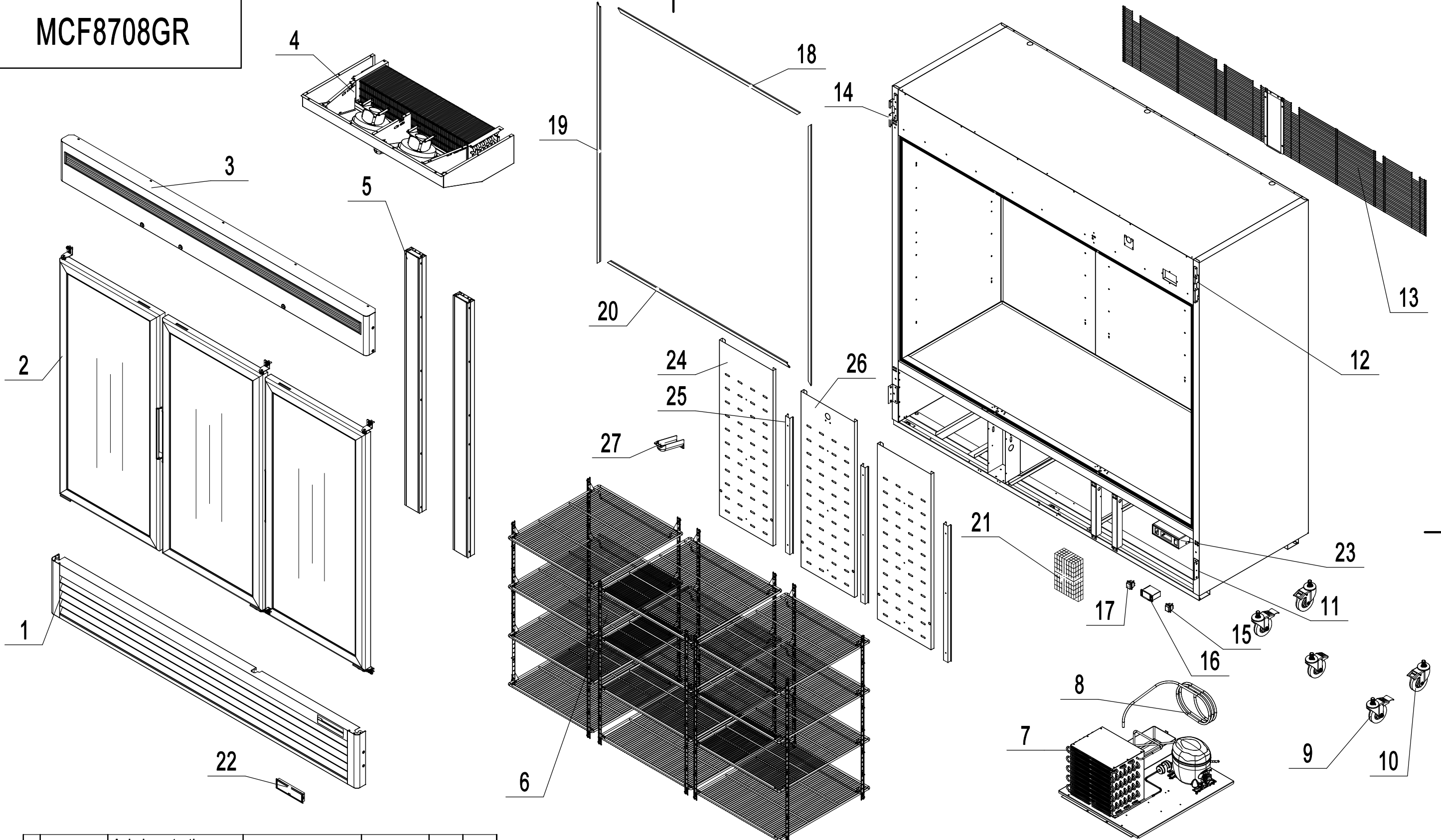
# MCF8708GR

A

B

C

D



27	W0409081	A drain protection
26	80011042	Back wind deflector
25	80011041	Back wind deflector stents
24	80021040	Back wind deflector
23	W0409883	Controller Bracket
22	W0409882	Controller Cover
21	W0399177	Power Supply
20	W0410464	Bottom Frame Cover
19	W0410446	Left-Right Frame Cover
18	W0410463	Top Frame Cover

ABS	1	
SUS430	1	
SUS430	3	
SUS430	2	
	1	
	1	
50W	1	
	1	
	2	
	1	

17	W0308018	Light Switch
16	W0302163	Digital Controller
15	W0308019	Power Switch
14	85041610	Left Fastener For Top Panel
13	W0402635	Back Bottom Barrier
12	85041609	Right Fastener For Top Panel
11	85041801	Fastener For Bottom Panel
10	B0604413	4" Castor With Brake
9	B0604421	4" Castor Without Brake

	1	
	1	120V
	1	
	1	
	1	
	2	
	3	
	2	

8	W0210623	Low Pressure Coil Back to Comp
7	85080452	Comp&Cond Assembly
6	87080451	Shelf Assembly
5	85070405	Mullion Assembly
4	87080450	Evaporator Assembly
3	85080450	Top Panel Assembly
2	87080410	Door Assembly
1	85040420	Bottom Panel

	1	
	1	
	1	
	2	
	1	
	1	
	1	
Material code	English Name	
MATERIAL	QUANTITY	Remark

1

2

3

4

5

6

87080410

A

B

C

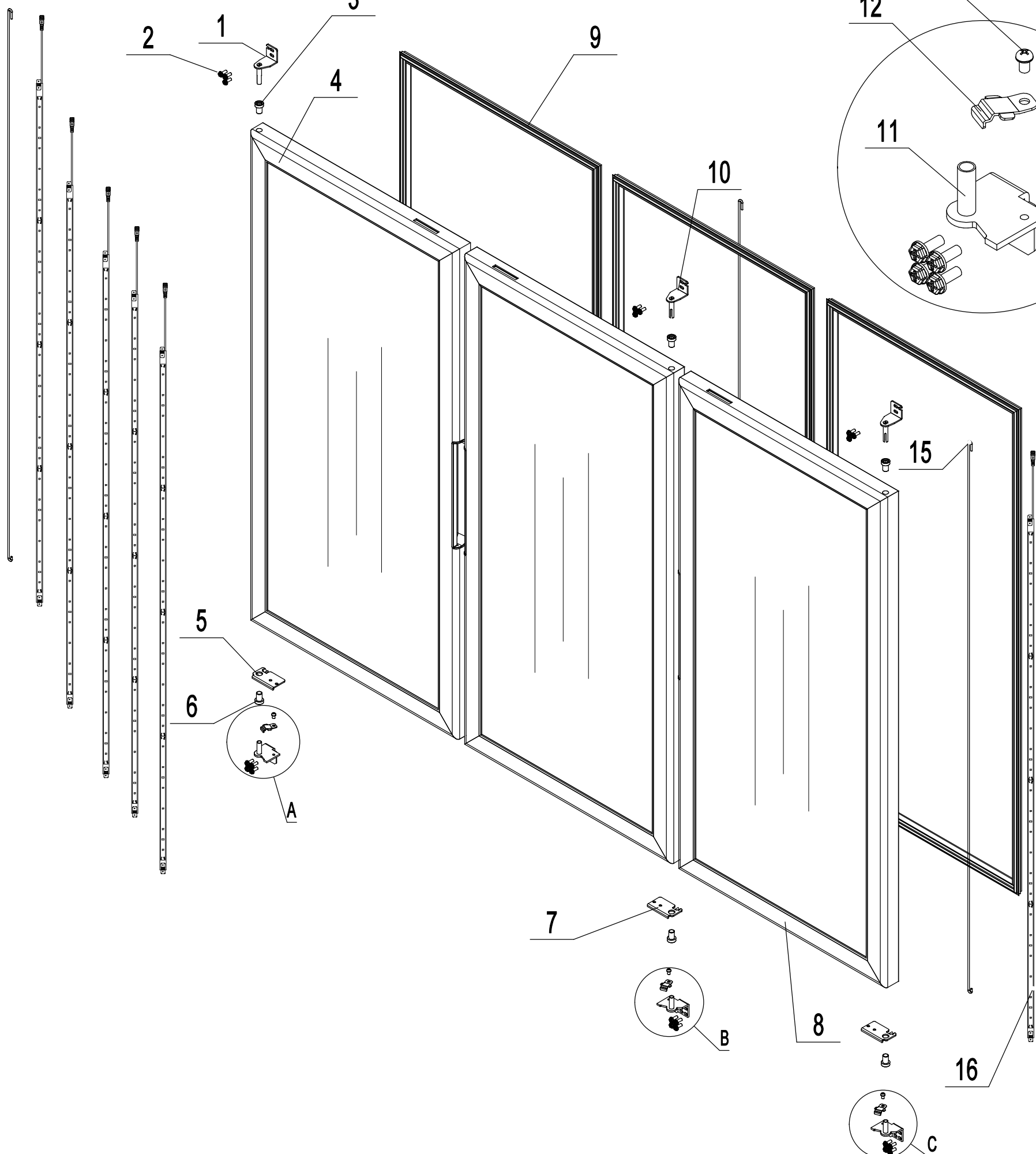
D

A

B

C

D



17	W0604024	Right-Bottom Hinge
16	W0304081	LED Light
15	W0604933	Door Spring Bar
14	W0604076	Middle-Bottom Hinge
13	B0599270	SS Screw M6x8
12	W0604038	Door Stopper-Bottom
11	W0604025	Left-Top Hinge
10	W0604022	Right-Top Hinge
9	W0404601	Door Gasket
8	W0412810	Right Glass Door
7	W0604030	Door Brake -Right
6	W0409843	Door Shaft Sleeve-Bottom
5	W0604031	Door Brake -Left
4	W0412815	Left Glass Door
3	W0409842	Door Shaft Sleeve-Top
2	B0506044	Screw M6x16
1	W0604023	Left-Top Hinge
序号	Material code	English Name

SUS304	1	
	6	
	3	
	1	
	3	
SUS304	3	
SUS304	1	
SUS304	2	
	3	
	2	
SUS304	2	
PA66	3	
SUS304	1	
	1	
PA66	3	
	21	
SUS304	1	
MATERIAL	QUANTITY	Remark

1

2

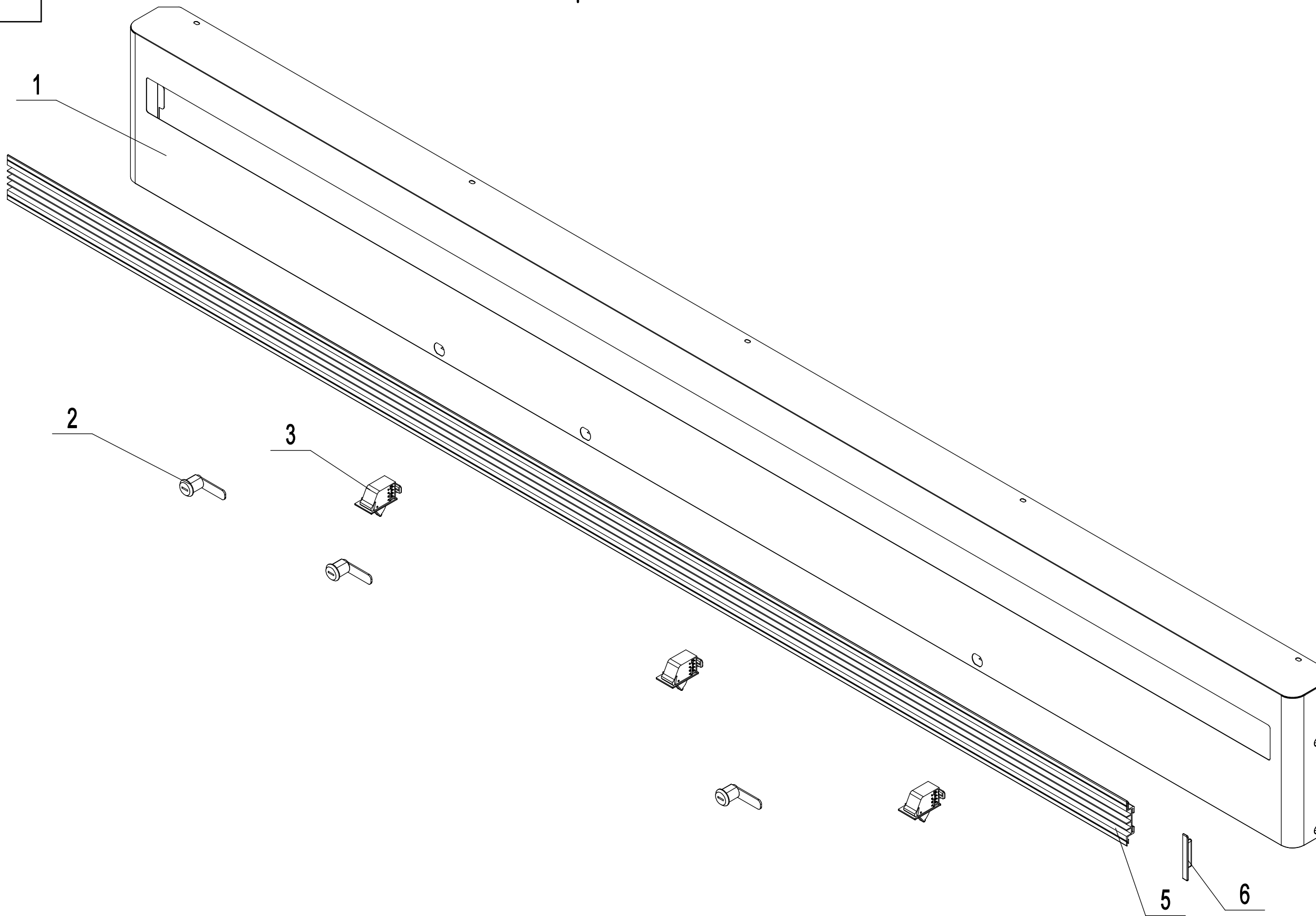
3

4

5

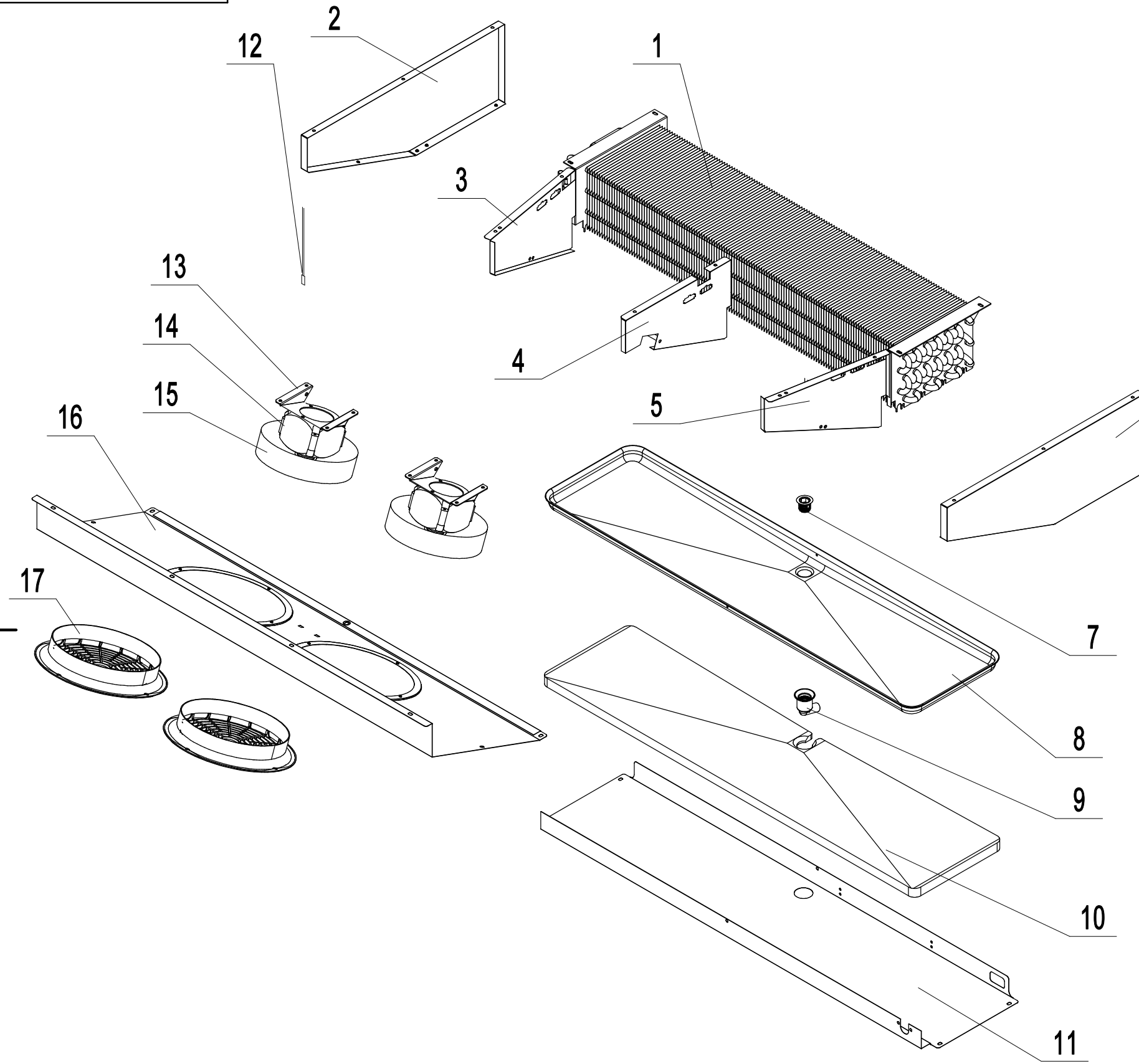
6

85080450



6	W0409272	Black Grille Clip		2	
5	W0410356	Black Grille		1	
3	W0308012	Door Switch		3	
2	W0604007	Lock		3	
1	85041422	Top Panel		SUS430	1
序号	Material code	English Name		MATERIAL	QUANTITY Remark

87080450



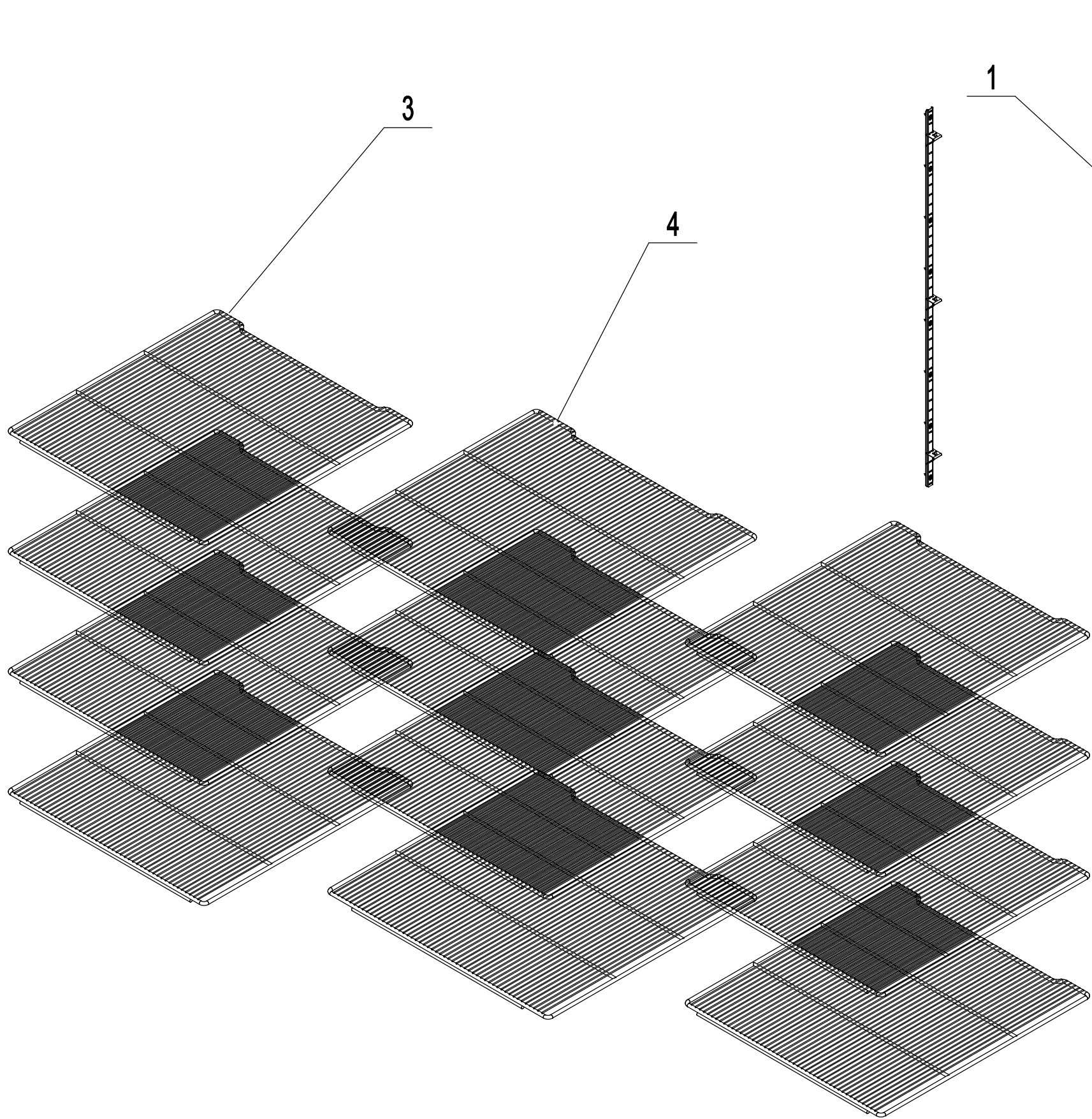
17	W0409080	Evap Fan Motor Cover	ABS	2	
16	86031202	Evap Front Cover	SUS430	1	
15	W0301059	Evap Fan Blade	AL/Ø172	2	
14	W0301904	Evap Fan Motor		2	
13	80021501	Evap Fan Bracket	SUS304	2	
12	W0302304	Room Temp Probe		1	
11	80031204	Drain Pan Cover	SUS430	1	
10	W0803013	Drain Pan Foam	EPS	1	
9	W0409858	Drain Hose Connector A	PA66	1	
8	80032001	Drain Pan	AL	1	
7	W0409859	Drain Hose Connector B	PA66	1	
6	80021207	Evap Right Cover	SUS430	1	
5	80021204	Right Air Lane Cover	SUS430	1	
4	80021205	Middle Air Lane Cover	SUS430	1	
3	80021203	Left Air Lane Cover	SUS430	1	
2	80021206	Evap Left Cover	SUS430	1	
1	W0202119	Evaporator	AL TP2-M	1	
序号	Material code	English Name	MATERIAL	QUANTITY	Remark

85070405



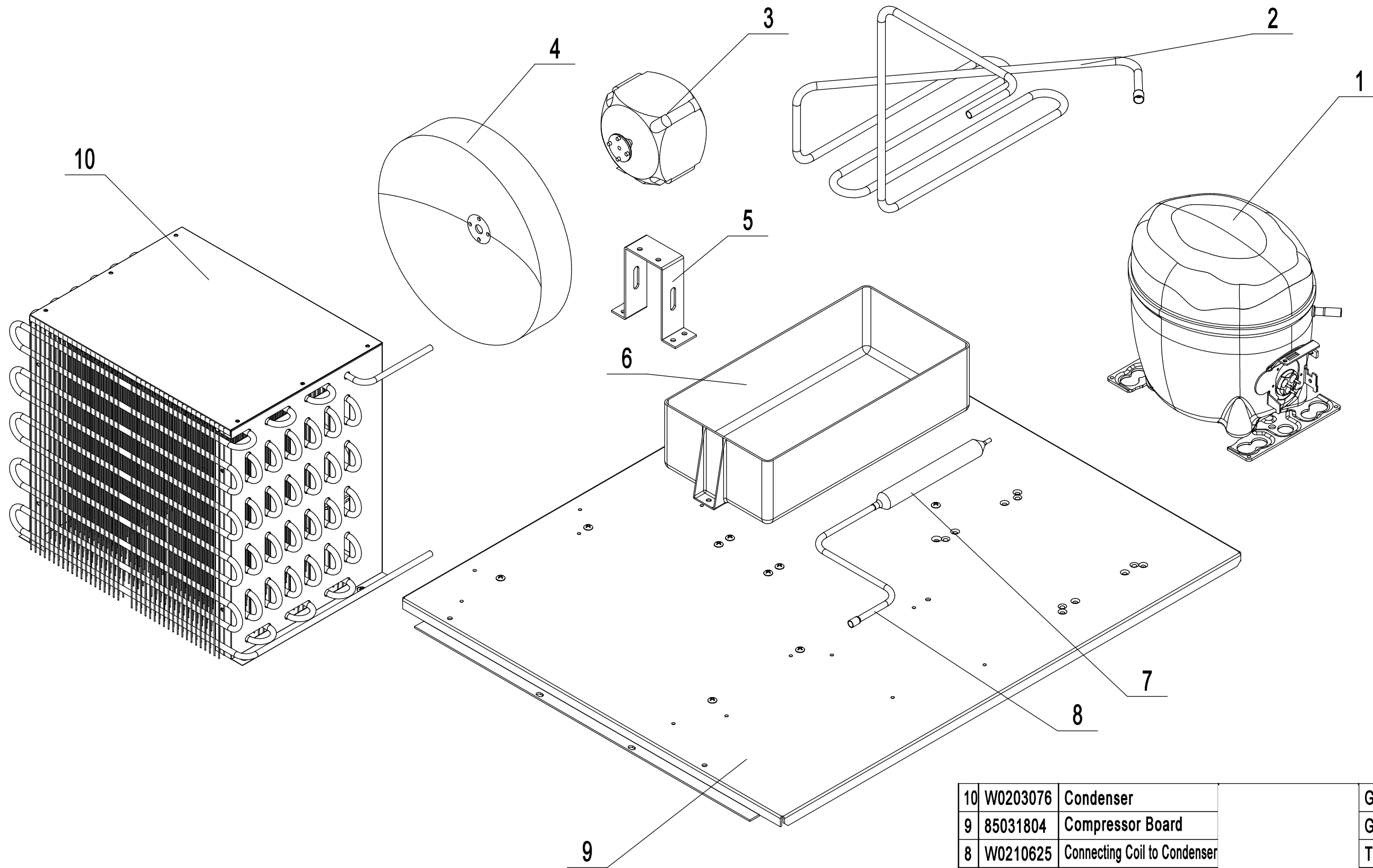
5	85041111	Mullion Front Cover	AL	1	
4	W0410976	Mullion Plastic Connector	PVC-H	2	
3	W0310110	Mullion Heater		1	
2	W0499086	Mullion Foam	EPS	1	
1	85041110	Mullion Back Cover	AL	1	
序号	Material code	English Name	MATERIAL	QUANTITY	Remark

87080451



4	W0402396	Shelf(Mid)		4	
3	W0402395	Shelf(R&L)		8	
2	66490313	Shelf Clip	SUS430	48	
1	80037410	Pilastor For Shelf	SUS430	12	
序号	Material code	English Name	MATERIAL	QUANTITY	Remark

85080452



10	W0203076	Condenser	GI	1	
9	85031804	Compressor Board	GI	1	
8	W0210625	Connecting Coil to Condenser	TP2-M	1	
7	W0204101	Dry Filter		1	
6	W0411152	Plastic Drain Pan	ABS	1	
5	80061601	Condenser Fan Braket	GI	1	
4	W0301061	Condenser Fan Blade	AL/Ø230	1	
3	W0301905	Condenser Fan		1	
2	W0210624	High Presure Coil	TP2-M	1	
1	W0201165	Compressor		1	
序号	Material code	English Name	MATERIAL	QUANTITY	Remark