

AWF 0810-TF(RR/RL)

REV 11.2024

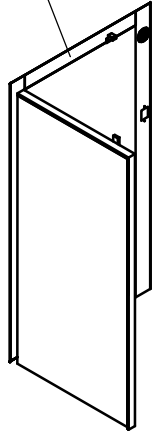
A

B

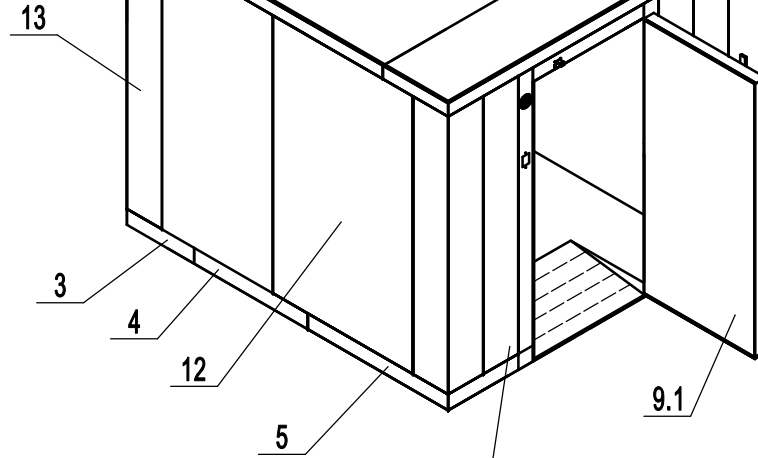
C

D

9.2

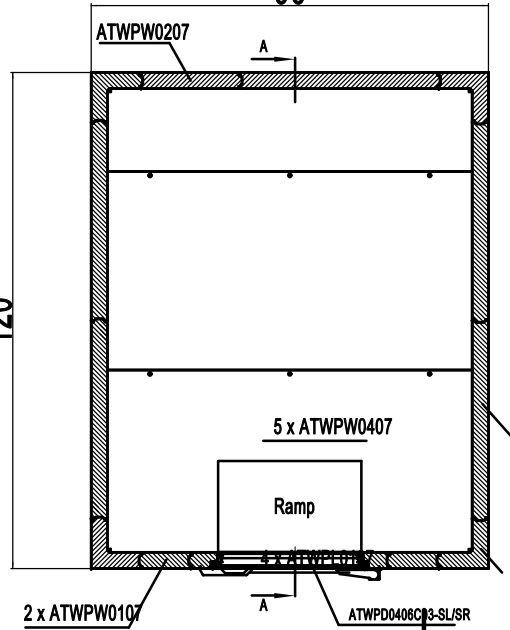


13



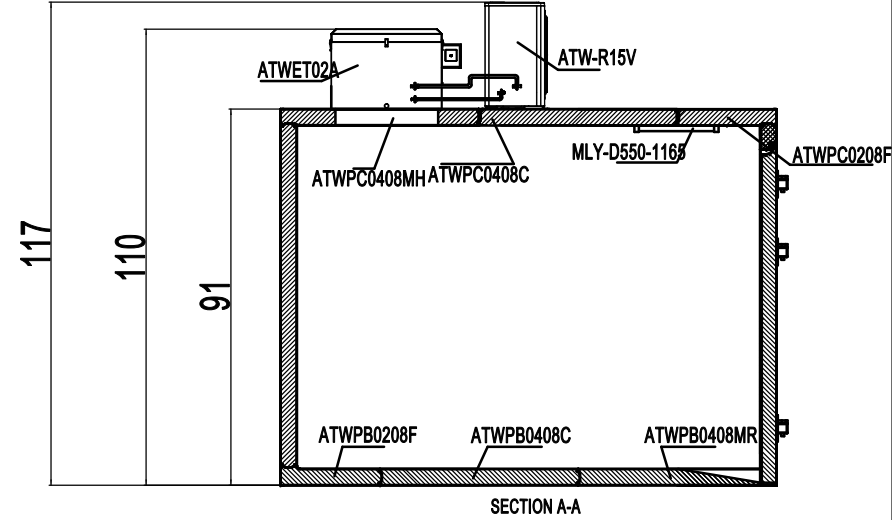
9.1

10
96



120

Unit: inch



SECTION A-A

| | | | | |
|-----|-----------------|--------------|--|-----|
| 15 | MLY-D550-1165 | N/A | 48" LED Light for Walk-in and Wire Channel | 1 |
| 14 | WACD001204000 | N/A | Distribution Box Assembly | 1 |
| 13 | ATWPL0107 | ATWPL0107 | Walk-in Corner Wall Panel, 1'x1' | 4 |
| 12 | ATWPW0407 | ATWPW0407 | Walk-in Wall Panel, 4' | 5 |
| 11 | ATWPW0207 | ATWPW0207 | Walk-in Wall Panel, 2' | 1 |
| 10 | ATWPW0107 | ATWPW0107 | Walk-in Wall Panel, 1' | 2 |
| 9.2 | ATWPD0406C03-SL | N/A | Walk-in Door, 3', and Door Frame Panel, 4'(Left-Hinged) | 1 |
| 9.1 | ATWPD0406C03-SR | N/A | Walk-in Door, 3', and Door Frame Panel, 4'(Right-Hinged) | 1 |
| 8 | ATWPC0408C | ATWPC0408C | Walk-in Ceiling Panel, 4'x8' Center Panel | 1 |
| 7 | ATWPC0408MH | ATWPC0408MH | Walk-in Ceiling Panel, 4'x8', Male Side with Opening | 1 |
| 6 | ATWPC0208F | ATWPC0208F | Walk-in Ceiling Panel, 2'x8', Female Side | 1 |
| 5 | ATWPB0408MR | N/A | Walk-in Floor Panel, 4'x8', Male Side, Inner Ramp | 1 |
| 4 | ATWPB0408C | ATWPB0408C | Walk-in Floor Panel, 4'x8', Center Panel | 1 |
| 3 | ATWPB0208F | ATWPB0208F | Walk-in Floor Panel, 2'x8', Female Side | 1 |
| 2 | ATW-R30V | ATW-R30V | Walk-in Condensing Unit | 1 |
| 1 | ATWET02A | ATWET02A | Evaporating Unit, Top Mount, with 2 Fan Motors | 1 |
| No. | Part # (New) | Part # (Old) | Part Name | Qty |

A

B

C

D

1

2

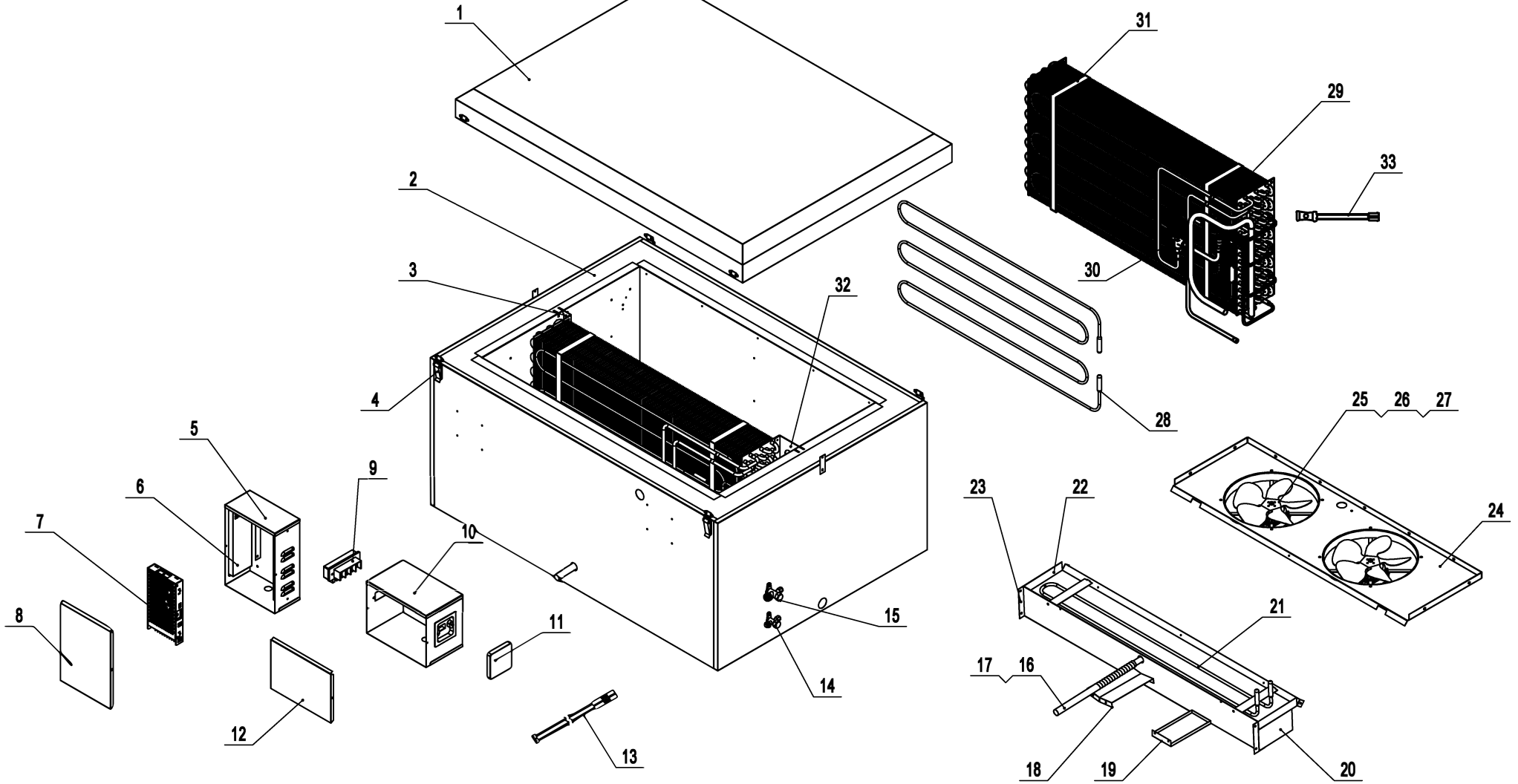
3

4

5

6

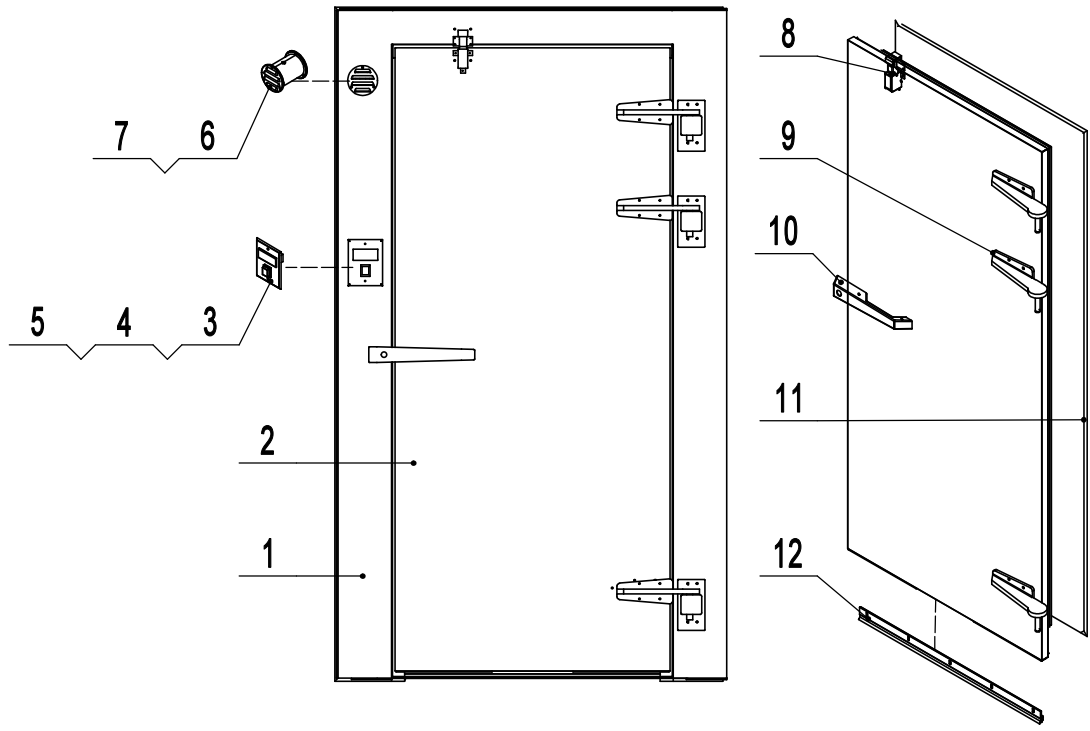
ATWE-T02A



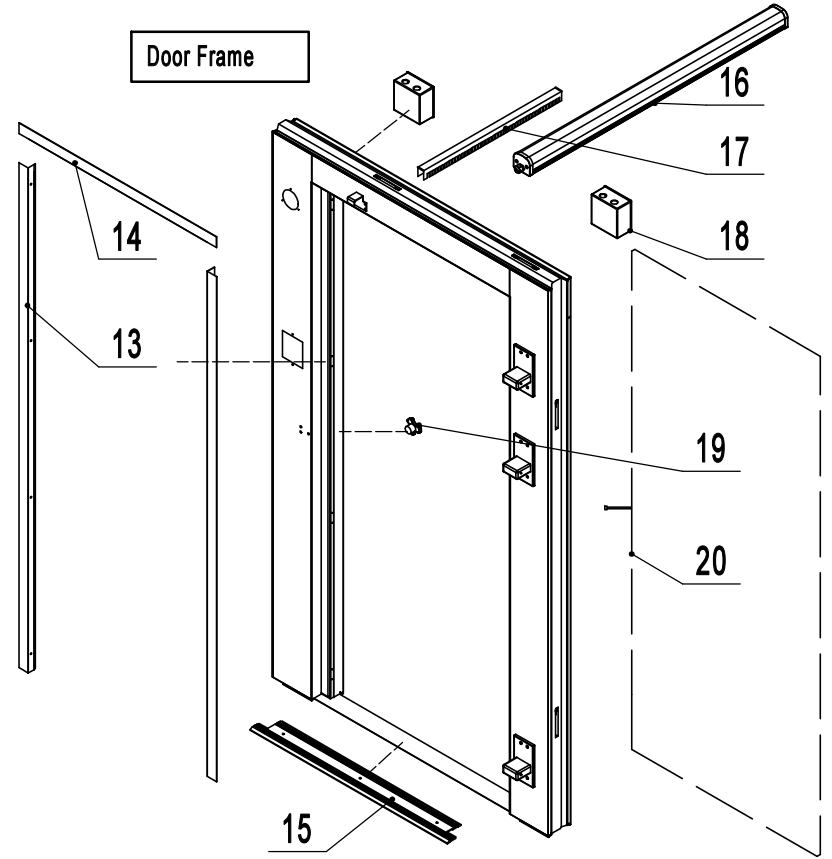
| | | | | | | | |
|----|--------------|-----------------------------|---|----|------------------|---------------------------|---|
| 33 | R03008000032 | Thermo Cutoff | 1 | 19 | 10140E001 | Suction Tube Splash Block | 1 |
| 32 | 10140E007 | Evap Right Fastner | 1 | 18 | 10140E003 | Drain Hose Splash Block | 1 |
| 31 | 10140E020 | Evap Defrost Tube Fastner | 2 | 17 | W0310067 | Drain Hose Heating Tube | 1 |
| 30 | W0206010 | Thermo Expansion Valve | 1 | 16 | W0414031 | Drain Pipe | 1 |
| 29 | W0202675 | Evaporator | 1 | 15 | W0205036 | T Shut Off Valve | 1 |
| 28 | W0311105 | Evap Heating Tube | 1 | 14 | W0205035 | T Shut Off Valve | 1 |
| 27 | W0301056 | Evap Fan Blade | 2 | 13 | R03019000031 | Temperature Sensor | 1 |
| 26 | W0301131 | Evap Fan Motor | 2 | 12 | 10140E009 | Controller Box Cover | 1 |
| 25 | R03001000001 | Evap Fan Motor Bracket | 2 | 11 | N/E | Controller | 1 |
| 24 | 10140E005 | Evap Front Cover | 1 | 10 | ATW0606104003500 | Controller Box | 1 |
| 23 | 10140E023 | Drain Pan Fastner | 1 | 9 | W0309300 | Terminal Block | 1 |
| 22 | 10140E006 | Evap Drain Pan | 1 | 8 | ATW0606103011500 | Power Supply Box Cover | 1 |
| 21 | W0311106 | Evap Drain Pan Heating Tube | 1 | 7 | W0399145 | Power Supply/Transformer | 1 |
| 20 | R08011000004 | Evap Drain Pan Foam | 1 | 6 | ATW0606103014500 | Power Supply Water Guard | 2 |

| 5 | ATW0606103012500 | Power Supply Box | 1 |
|-----|------------------|-------------------|-----|
| 4 | W0604244 | Latch | 4 |
| 3 | 10140E008 | Evap Left Fastner | 1 |
| 2 | ATW10140-EF01 | Evap Cabinet | 1 |
| 1 | ATW10140-EF02 | Evap Top Cover | 1 |
| No. | Part # | Part Name | Qty |

Door Assembly



Door Frame



| | | | |
|----|--------------|------------------------------|---|
| 20 | W0310A03 | Door Frame Heater | 1 |
| 19 | W0401046 | Inside Safety Release Handle | 1 |
| 18 | W0309237 | Electric Terminal Box | 2 |
| 17 | R04012001503 | LED Light Wire Channel | 1 |
| 16 | R03004000110 | LED Light | 1 |
| 15 | W0499772 | Threshold Cover | 1 |
| 14 | 10140W017 | Door Frame Top Cover | 1 |
| 13 | 10140W018 | Door Frame Side Cover | 2 |
| 12 | W0410A27 | Door Bottom Cover | 1 |
| 11 | W0404948 | Door Gasket | 1 |
| 10 | W0604243 | Door Latch Assembly | 1 |

| 9 | W0604241 | Door Hinge | 3 |
|-----|---------------|-----------------------------------|-----|
| 8 | W0604242 | Door Closer | 1 |
| 7 | W0310A04 | Air-Pressure Relief Vent Heater | 1 |
| 6 | W0399302 | Air-Pressure Relief Vent Assembly | 1 |
| 5 | ATWET02107000 | Display Panel | 1 |
| 4 | W0302224 | Temperature Display | 1 |
| 3 | W0308019 | Light Switch | 1 |
| 2 | | Door | 1 |
| 1 | | Door Frame | 1 |
| No. | Part No. | Description | Qty |

The specifications of the parts may be subject to change without prior notice. Atosa has the final right of interpretation for this notice.