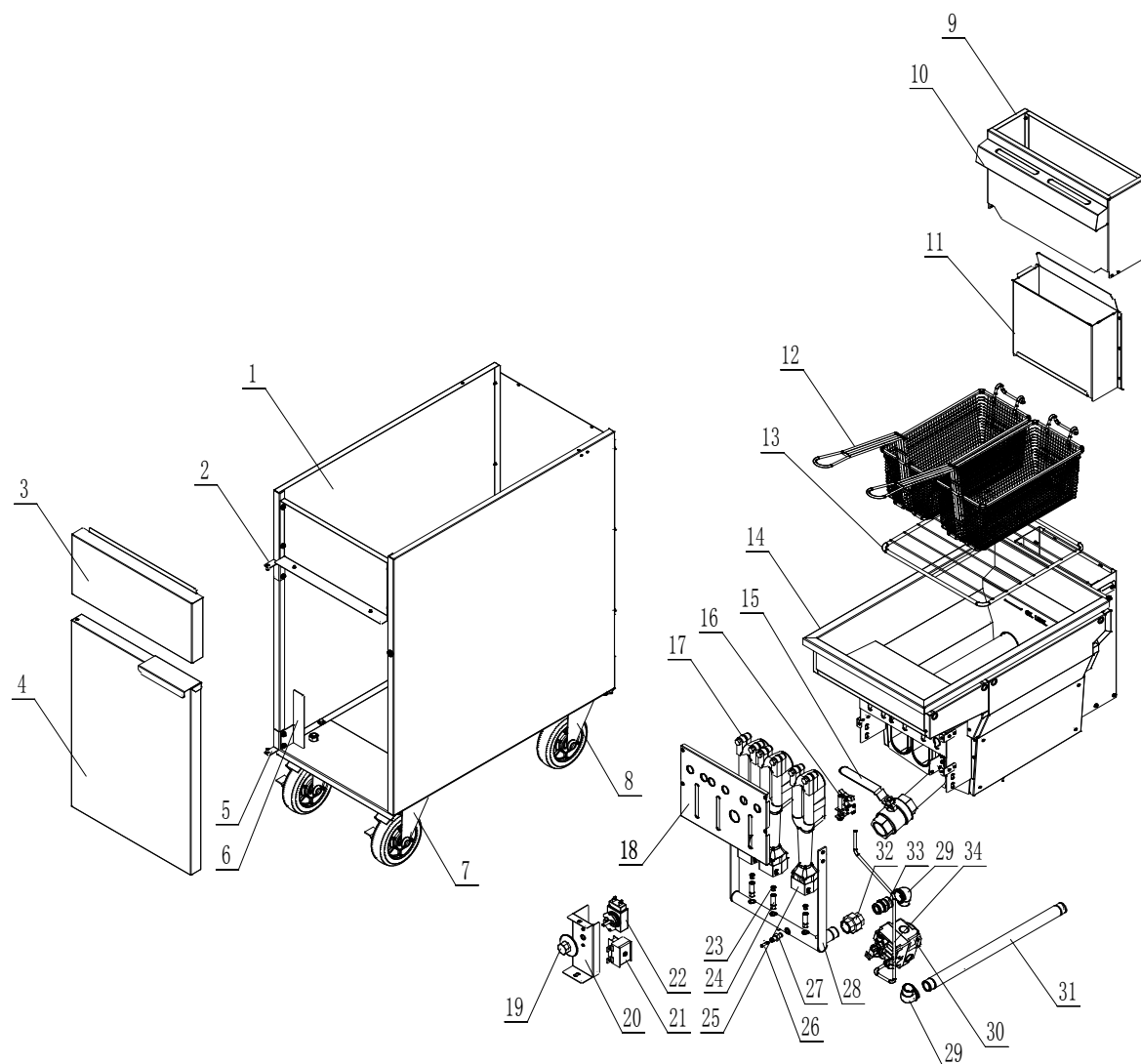


## ATFS-35ES

⚠ The use of parts provided by other companies, our company has the right not to provide warranty service;

⚠ Order replacement parts from authorized representatives and after-sale service agency.

⚠ Provide the model no. , serial no. and description when you order components.



No.	Matters Code	Component name	Qty	Dimensions (mm)/Model
1	21201001020	Body assembly	1	394*746*751
2	<a href="#">301060016</a>	Upper axillare assembly	1	
3	<a href="#">21101001032</a>	Front panel	1	394*170*37
4	<a href="#">21201001007</a>	Door assemble assembly	1	392*34*529

5	301060017	Lower axillare assembly	1	
6	21101001039	Oil drain pipe fixer	1	
7	301990021	wheels with brake	2	5"
8	301990037	wheels without brake	2	5"
9	21201001024	External upper smokestack assemble assembly	1	396*240*158
10	21101001036	Hanging plate	1	392*161*1.2
11	21201001006	Internal upper smokestack assemble assembly	1	278*268*98
12	301100001	Fry basket	2	337*165*178
13	301100043	flat screen	1	342*342*φ8
14	21201001021	hydro-cylinder assembly	1	397*706*438
15	301050011	oil drain valve	1	1-1/4"
16	301030006	Thermocouple	1	21424
	301030009 (NG) 301030010 (LP)	Ignition bracket		66932 66705
17	301010032	Burner	3	
18	21101001070	Front cover	1	282*200*10
19	301140002	temperature control knob	1	
20	21101001075	temperature control mounting plate	1	
21	301030005	temperature limiter	1	LCCM200300000
22	301030004	thermostat	1	RX-2-24
23	301040155 (NG)	Fryer Nozzle (NG)	3	NG45
	301040156 (LP)	Fryer Nozzle (LP)		LP54
24	301060092	Nozzle joint	3	
25	21201001023	Damper cover	3	
26	301060002	Needle type pressure joint screw arbor	1	
27	301060001	Needle type pressure joint	1	
28	301070016	Nozzle windpipe welding assembly	1	

29	301050008	Black internal and external wire elbow	2	3/4"
30	301030003 (NG) 301030008 (LP)	Safety valve	1	343811404A (NG) 343812458A (LP)
31	301070093	intake-tube	1	3/4"
32	301050007	loose joint	1	3/4"
33	301050010	Two pipes joint	1	3/4"
34	301050006	Pilot fire input	1	corrugated pipe / $\phi$ 6.35*580

### Accessories List

Name	Code	Qty
wheels without brake	301990037	2 pieces
wheels with brake	301990021	2 pieces
Frying basket	301100001	2 pieces
Flat screen	301100043	1 piece
Oil drain pipe	301060006	1 piece
External upper smokestack assembly	21201001024	1 piece
Internal upper smokestack assembly	21201001006	1 piece
U. S. six angle flange head tapping screws	301081006	4 pieces
U. S. six angle tapping screws	301081009	2 pieces
Hanging plate	21101001036	1 piece
Instructions	304080431	1 piece