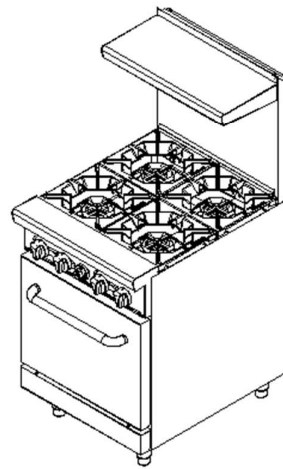
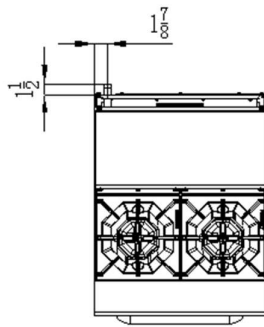
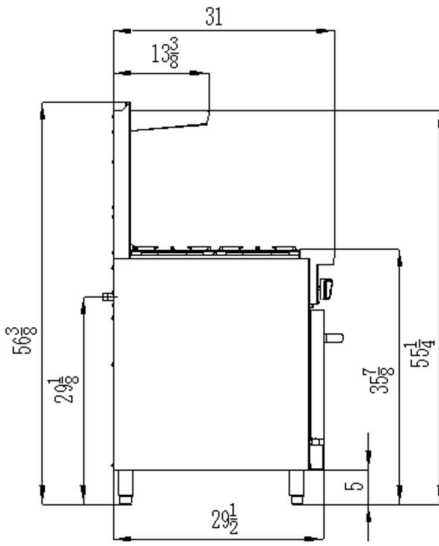
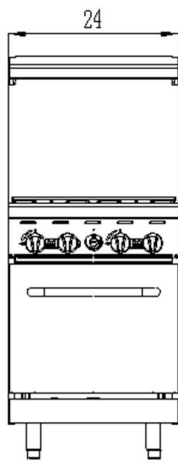


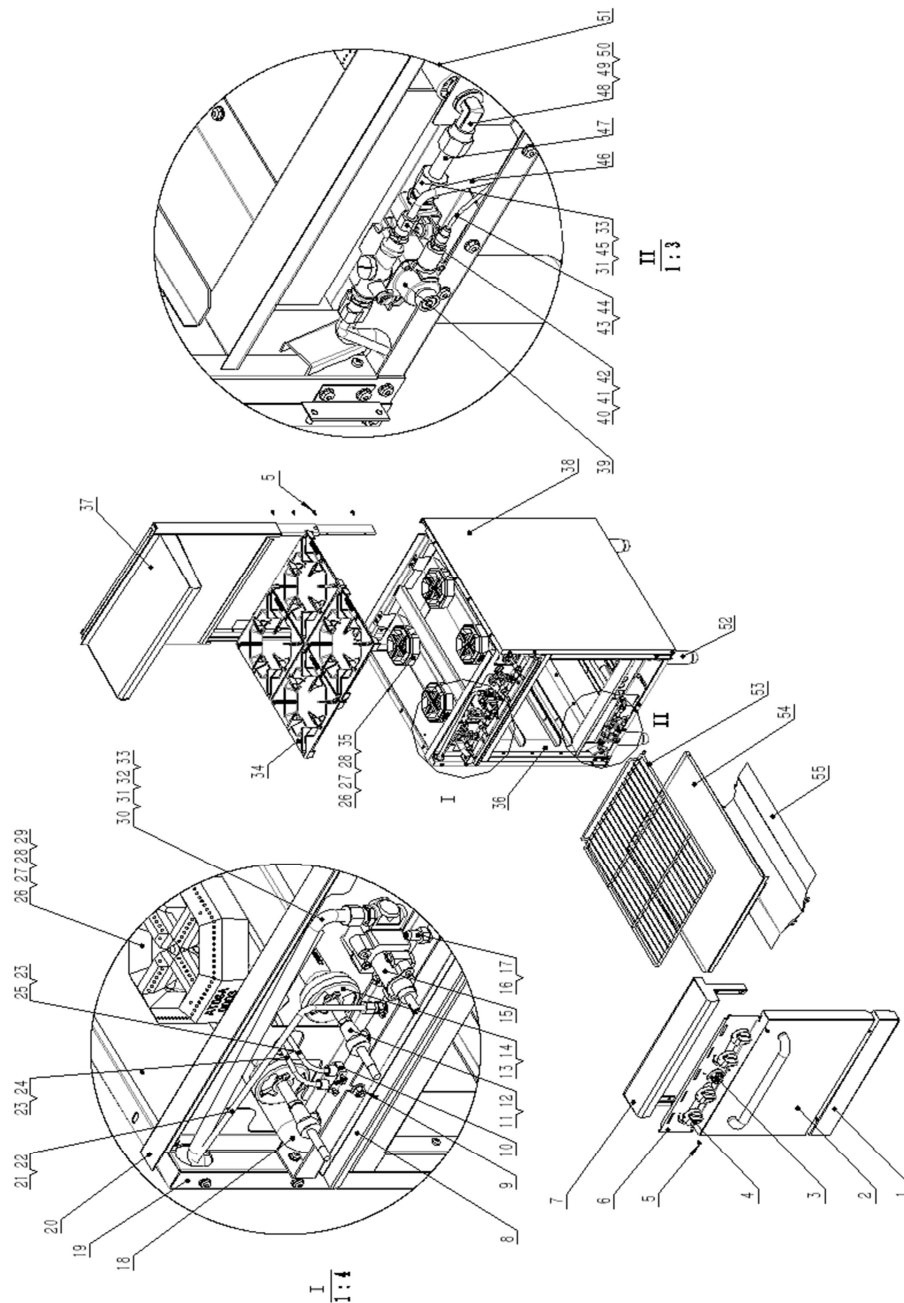
Appendix 1 . Three views of product (ATO-4B(NG/LG))



Appendix 2. Explosive view of product and parts

(ATO-4B(NG/LG))

- △ The use of parts provided by other companies, our company has the right not to provide warranty service;
- △ Order replacement parts from authorized representatives and after-sale service agency.
- △ Provide the model number, serial number and description when you order components.



No.	Matters Code	Component name	Qty	Dimensions (mm)/Model	Notes
1	21107004064	Underside face plate of oven	1		
2	21207004010	Oven door assembly	1	605*460*52	
3	301140008	Oven thermostat valve knob	1		
4	301140001	Kirsite knob	4		
5	301081006	Galvanized hexagon head flange face self-tapping screw	27	ST4.8*12.5	
6	21107011068	Control panel	1		
7	21207011004	Table-board front board assembly	1	610*125*189	
8	21107011067	Catch tray of gas restaurant ranges	1		
9	301080002	Galvanized flange nut	2	M6	
10	301030007	Pilot light valve-double unit	2	AP6-1	
11	301040034	Gas restaurant ranges nozzle(NG)	4	NG45 Φ 2.1	
	301040035	Gas restaurant ranges nozzle(LP)		LP54 Φ 1.45	
12	301030002	Stopcock	4		
13	301081002	Stainless steel cross pan head screw	4	M4*8	
14	301990001	Air door cover of gas restaurant ranges	4		
15	301030038	Oven thermostat valve	1	BJWA-25PD1048	
16	301060002	Needle type pressure measuring connector screw	1	M5*23	
17	301060001	Needle type pressure measuring connector	1	NPT 1/8"-27	
18	301070045	input pipe	1		
19	21107001060	Side block panel (left)	1		
20	21207011003	Upper stove body assembly	1	610*710*200	
21	301030037	Normally open fire valve (single)	1	AP5-2	
22	301050037	Pilot fire input fire of oven (left)	1		
23	301060003	Pilot light head	4	A73007/Tip Φ 4.7	
24	21107001069	Pilot light intake pipe of gas restaurant ranges (short)	2		
25	21107001070	Pilot light intake pipe of gas restaurant ranges (long)	2		

26	301010008	Octangular burner	4		
27	301990004	Gland	4		
28	301081001	Galvanized cross pan head screw	10	M5x16	
29	301010005	Short ejecting tube	2		
30	301050034	Main fire intake pipe of stove (left)	1		
31	301050012	Copper hoop	4	Φ10	
32	301060051	Copper connector	1	1/4" to M16	
33	301080007	Copper nut	4	M16	
34	301020004	Octangular cooking grates	4		
35	301010006	Long ejecting tube	2		
36	21207011001	Lower stove body assembly	1	610*696*572	
37	21207011005	Back guard assembly	1	610*340*967	
38	21107001061	Side block panel (right)	1		
39	301030039	Oven safety valve	1	TS11J-3211-1-0	
40	301060054	Copper connector	2	7/16" to M10	
41	301050039	Copper hoop	2	Φ6	
42	301060053	Copper nut	2	M10	
43	301030041	Kindling support(NG)	1		
	301030042	Kindling support(LP)			
44	301030040	Thermocouple	1		
45	301060052	Copper connector	2	11/16" to M16	
46	301050036	Pilot fire exit tube of stove	1		
47	21107004072	Main fire intake pipe of stove	1		
48	301050014	Male copper elbow	1	M16 to 3/8"-27UNS	
49	301080008	Bronze locknut	1		
50	301040032	Oven burner nozzle(NG)	1	NG44 Φ2.2	
	301040033	Oven burner nozzle(LP)		LP53 Φ1.5	
51	301010011	Stove burner	1		
52	301110006	Gravity foot	4	Φ51*120	
53	301100013	Stove net rack	1		
54	21107004063	Stove base plate	1		
55	21107004062	Radiant panel of stove	1		

Appendix 3. Accessories List (ATO-4B(NG/LG))

Accessory	Accessory No.	Quantity of accessories
Gravity foot	301110006	4 pcs
Underside face plate of stove	21107004064	1 pcs
Stove net rack	301100013	1 pcs
Rear panel assembly of stove	21207011005	1 pc
Galvanized hexagon head flange face self-tapping screw	301081006	18 pcs
M6*12 stainless steel hexagon bolt	301081019	2 pcs
M6 galvanized flat gasket	301082001	2 pcs
M6 stainless steel spring washer	301082018	2 pcs
Pressure maintaining valve	301030011 (natural gas)	1 pc
	301030013 (liquefied gas)	
Instructions and attached drawings		1 pc

Our products have the advantages of good durability and low maintenance charge. But to update some components and necessary maintenance, can prolong life length of the products. Contact the dealer for assistance. To avoid confusion, please follow the format of “Appendix 2. Explosive view of product and parts” in this manual.