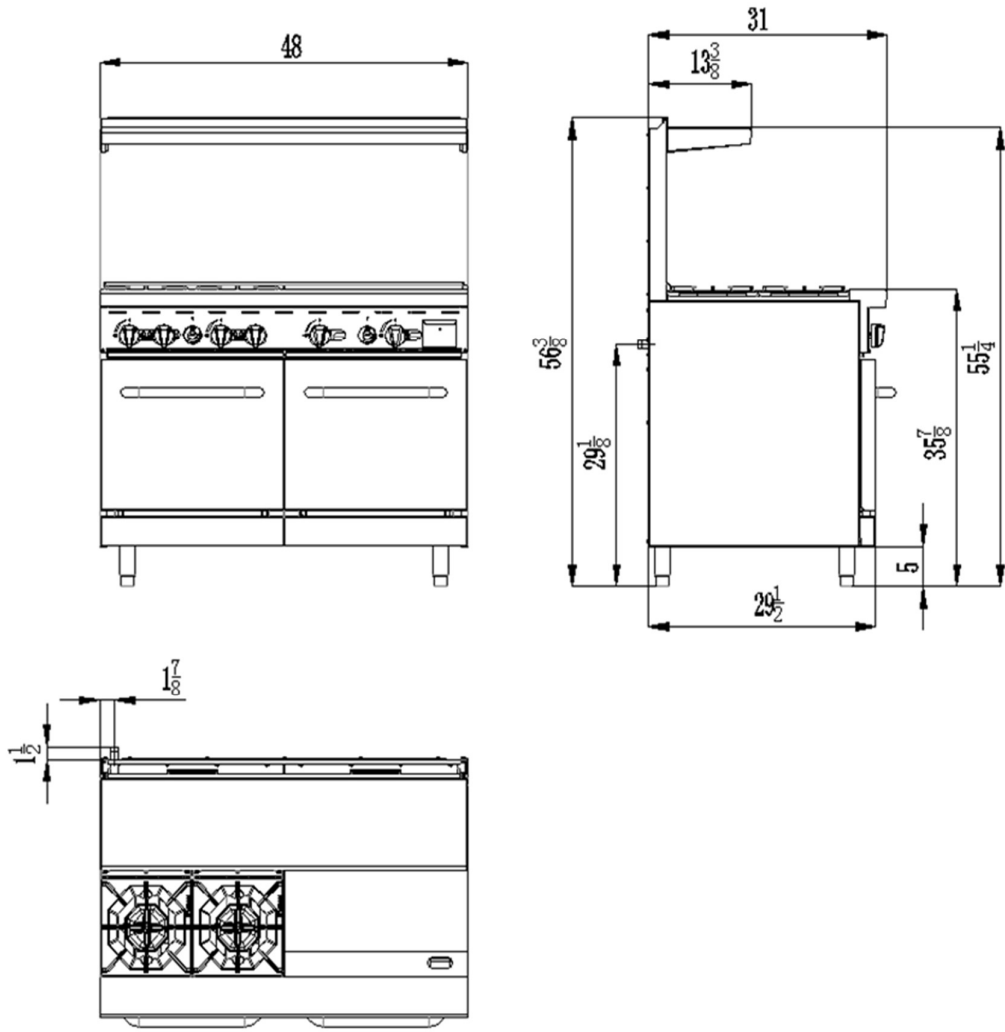
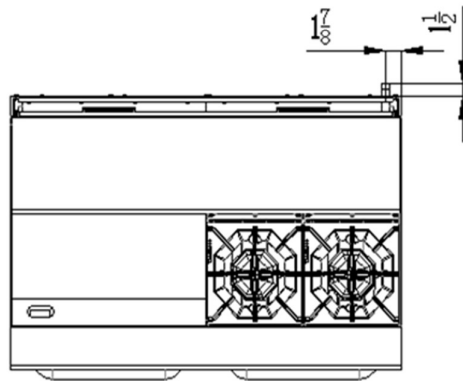
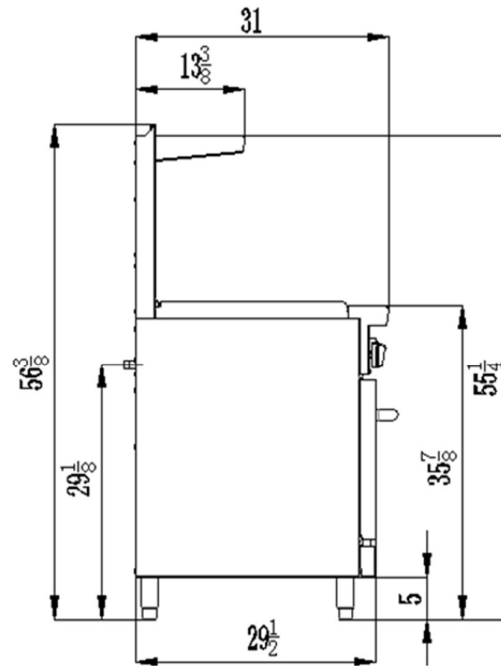
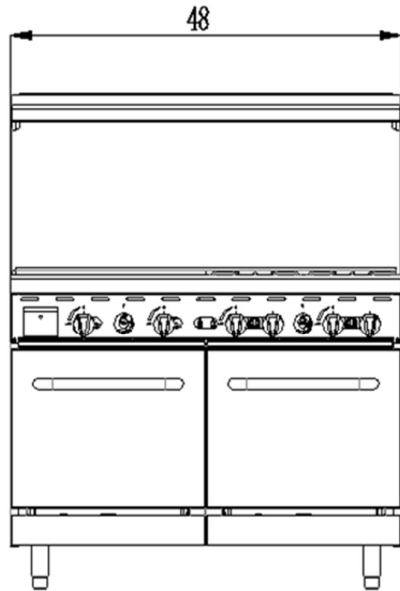


Appendix 1 . Three views of product ( ATO-4B24G(NG/LG) )



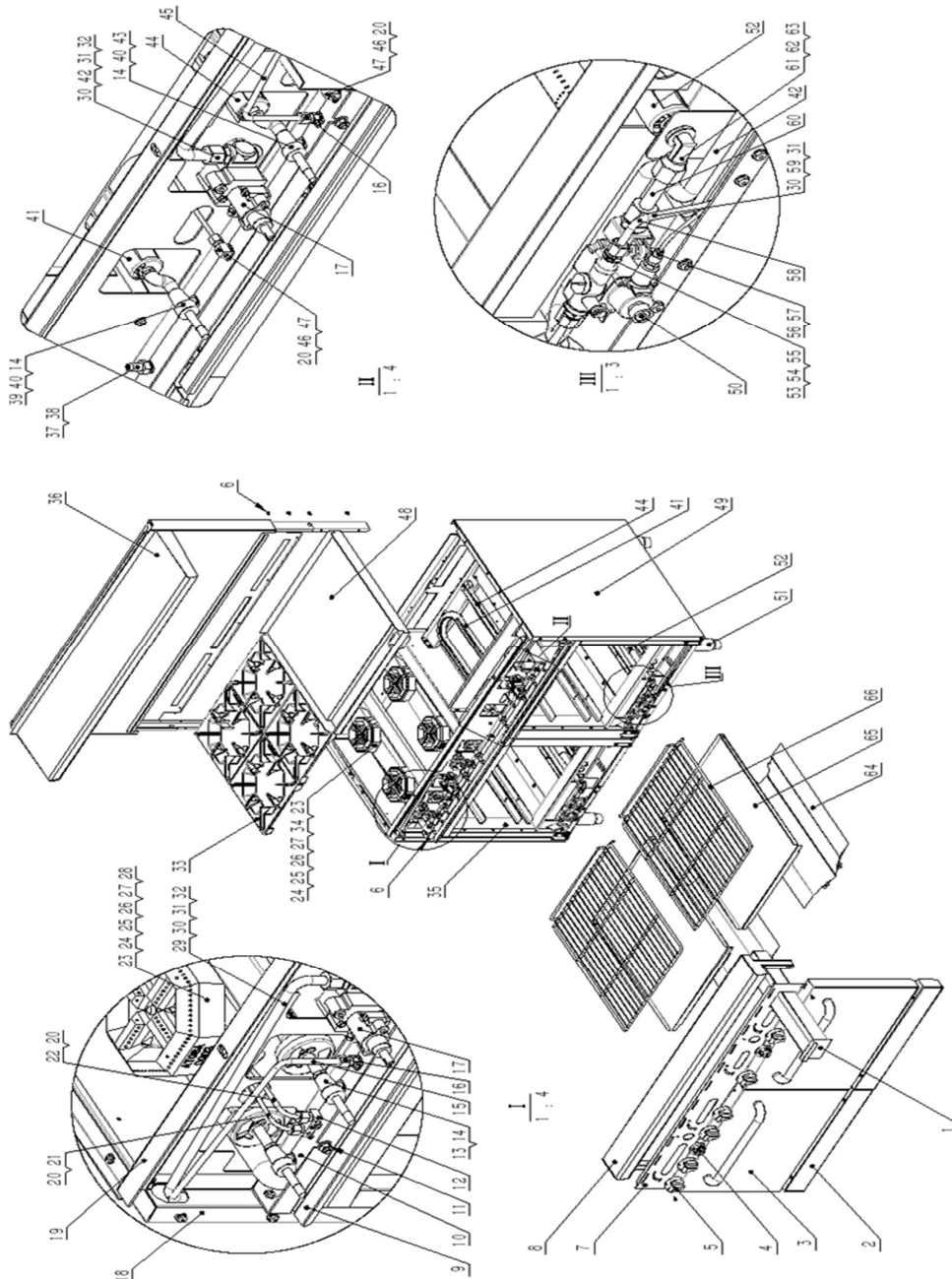
Three views of product ( ATO-24G4B(NG/LG) )



## Appendix 2. Explosive view of product and parts

### ( ATO-4B24G(NG/LG)/ ATO-24G4B(NG/LG) )

- △ The use of parts provided by other companies, our company has the right not to provide warranty service;
- △ Order replacement parts from authorized representatives and after-sale service agency.
- △ Provide the model number, serial number and description when you order components.



No.	Matters Code	Component name	Qty	Dimensions (mm)/Model	Notes
1	21207001009	Griddle oil Box accessory	1		
2	21107004064	Underside face plate of oven	2	605*88*51	
3	21207004010	Oven door assembly	2	605*460*52	
4	301030043	Oven thermostat valve knob	2		
5	301140001	Kirsite knob	6		
6	301081006	Galvanized hexagon head flange face self-tapping screw	45	ST4.8*12.5	
7	21107022068	Control panel	1		ATO-4B24G (NG/LG)
	21107023068				ATO-24G4B (NG/LG)
8	21207004006	Table-board front board assembly	1	1216*125*189	
9	21107006067	Oven thermostat valve	1	580*625	
10	301070056	input pipe	1		ATO-4B24G (NG/LG)
	301070057				ATO-24G4B (NG/LG)
11	301080002	Galvanized flange nut	4	M6	
12	301030007	Pilot light valve-double unit	2	AP6-1	
13	301040034	Gas restaurant ranges nozzle(NG)	4	NG45 Φ2.1	
	301040035	Gas restaurant ranges nozzle(LP)		LP54 Φ1.45	
14	301030002	Stopcock	6		
15	301050037	Pilot fire input fire of oven (left)	1		
16	301030037	Normally open fire valve (single)	2	AP5-2	
17	301030038	Oven thermostat valve	2	BJWA-25PD1048	
18	21107001060	Side block panel (left)	1		
19	21207022014	Upper stove body assembly	1	1215*710*200	ATO-4B24G (NG/LG)
	21207023014				ATO-24G4B (NG/LG)

20	301060003	Pilot light head	6	A73007/TipΦ4.7	
21	21107001069	Pilot light intake pipe of gas restaurant ranges (short)	2		
22	21107001070	Pilot light intake pipe of gas restaurant ranges (long)	2		
23	301010008	Octangular burner	4		
24	301990004	Gland	4		
25	301081001	Galvanized cross pan head screw	8	M5*16	
26	301990001	Air door cover of gas restaurant ranges	4		
27	301081002	Stainless steel cross pan head screw	4	M4*8	
28	301010005	Short ejecting tube	2		
29	301050034	Main fire intake pipe of stove (left)	1		
30	301080007	Copper nut	8	M16	
31	301050012	Copper hoop	8	Φ10	
32	301060051	Copper connector	2	1/4" to M16	
33	301020004	Octangular cooking grates	4		
34	301010006	Long ejecting tube	2		
35	21207004001	Lower stove body assembly	1	1215*696*572	
36	21207004007	Back guard assembly	1	1219*340*967	
37	301060002	Needle type pressure measuring connector screw	1	M5*23	
38	301060001	Needle type pressure measuring connector	1	NPT 1/8"-27	
39	301040026	Griddle U-shaped burner nozzle ( NG )	1	NG42 Φ2.3	
	301040027	Griddle U-shaped burner nozzle ( LP )		LP52 Φ1.6	
40	301050040	Z-shape adapter	2		
41	301010007	U-shaped burner	1		

42	301050035	Pilot fire intake pipe of stove (right)	1		
43	301040028	Griddle I-shaped burner nozzle (NG)	1	NG45 $\Phi$ 2.1	
	301040029	Griddle I-shaped burner nozzle (LP)		LP54 $\Phi$ 1.45	
44	301010012	I-shaped burner	1		
45	301050038	Pilot fire inlet tube of stove (right)	1		
46	21107001071	Griddle spark air inlet (U)	2		ATO-4B24G (NG/LG)
	21107001073	Griddle spark air inlet (I)			ATO-24G4B (NG/LG)
47	301030001	Normally open fire valve (single)	2	AP7-1	
48	21207001008	Griddle plate accessory	1	610*608*60	ATO-4B24G (NG/LG)
	21207013008				ATO-24G4B (NG/LG)
49	21107001061	Side block panel (right)	1		
50	301030039	Oven safety valve	2	TS11J-3211-1-0	
51	301110006	Gravity foot	4	$\Phi$ 51*120	
52	301010011	Stove burner	2		
53	301060053	Copper nut	4	M10	
54	301050039	Copper hoop	4	$\Phi$ 6	
55	301060054	Copper connector	4	7/16" to M10	
56	301030041	Kindling support ( NG )	2		
	301030042	Kindling support(LP)			
57	301030040	Thermocouple	2		
58	301050036	Pilot fire exit tube of stove	2		
59	301060052	Copper connector	4	11/16" to M16	
60	21107001072	Main fire intake pipe of stove	2		
61	301050014	Male copper elbow	2	M16 to 3/8"-27UNS	
62	301080008	Bronze locknut	2		
63	301040032	Oven burner nozzle(NG)	2	NG44 $\Phi$ 2.2	
	301040033	Oven burner nozzle(LP)		LP53 $\Phi$ 1.5	
64	21107004062	Radiant panel of stove	2	388*607	

65	<a href="#">21407004005</a>	Stove base plate	2	503*662	
66	<a href="#">301100013</a>	Stove net rack	2	505*642	

### Appendix 3. Accessories List

(ATO-4B24G(NG/LG)/ATO-24G4B(NG/LG))

Accessory	Accessory No.	Quantity of accessories
Gravity foot	301110006	4 pcs
Underside face plate of stove	<a href="#">21107001064</a>	2 pcs
Stove net rack	<a href="#">301100012</a>	2 pcs
Rear panel assembly of stove	<a href="#">21207001007</a>	1 pc
Galvanized hexagon head flange face self-tapping screw	<a href="#">301081006</a>	21 pcs
M6*12 stainless steel hexagon bolt	<a href="#">301081019</a>	2 pcs
M6 galvanized flat gasket	<a href="#">301082001</a>	2 pcs
M6 stainless steel spring washer	<a href="#">301082018</a>	2 pcs
Pressure maintaining valve	<a href="#">301030011</a> (natural gas)	1 pc
	<a href="#">301030013</a> (liquefied gas)	
Instructions and attached drawings		1 pc

Our products have the advantages of good durability and low maintenance charge. But to update some components and necessary maintenance, can prolong life length of the products. Contact the dealer for assistance. To avoid confusion, please

follow the format of “Appendix 2. Explosive view of product and parts” in this manual.