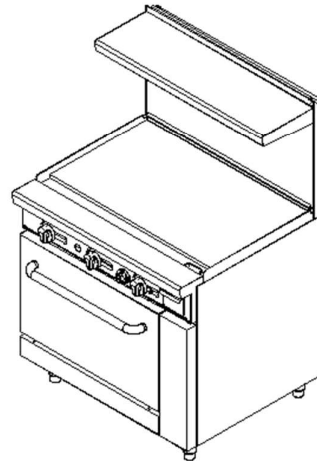
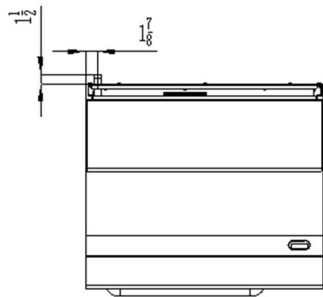
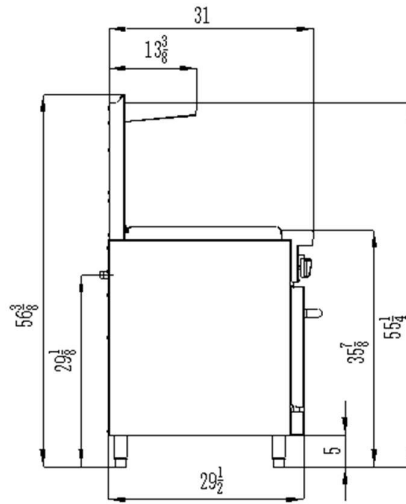
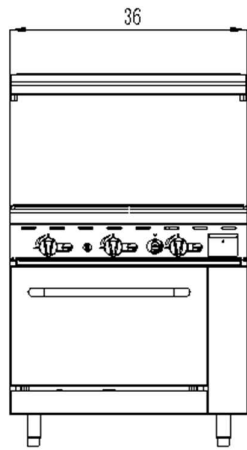


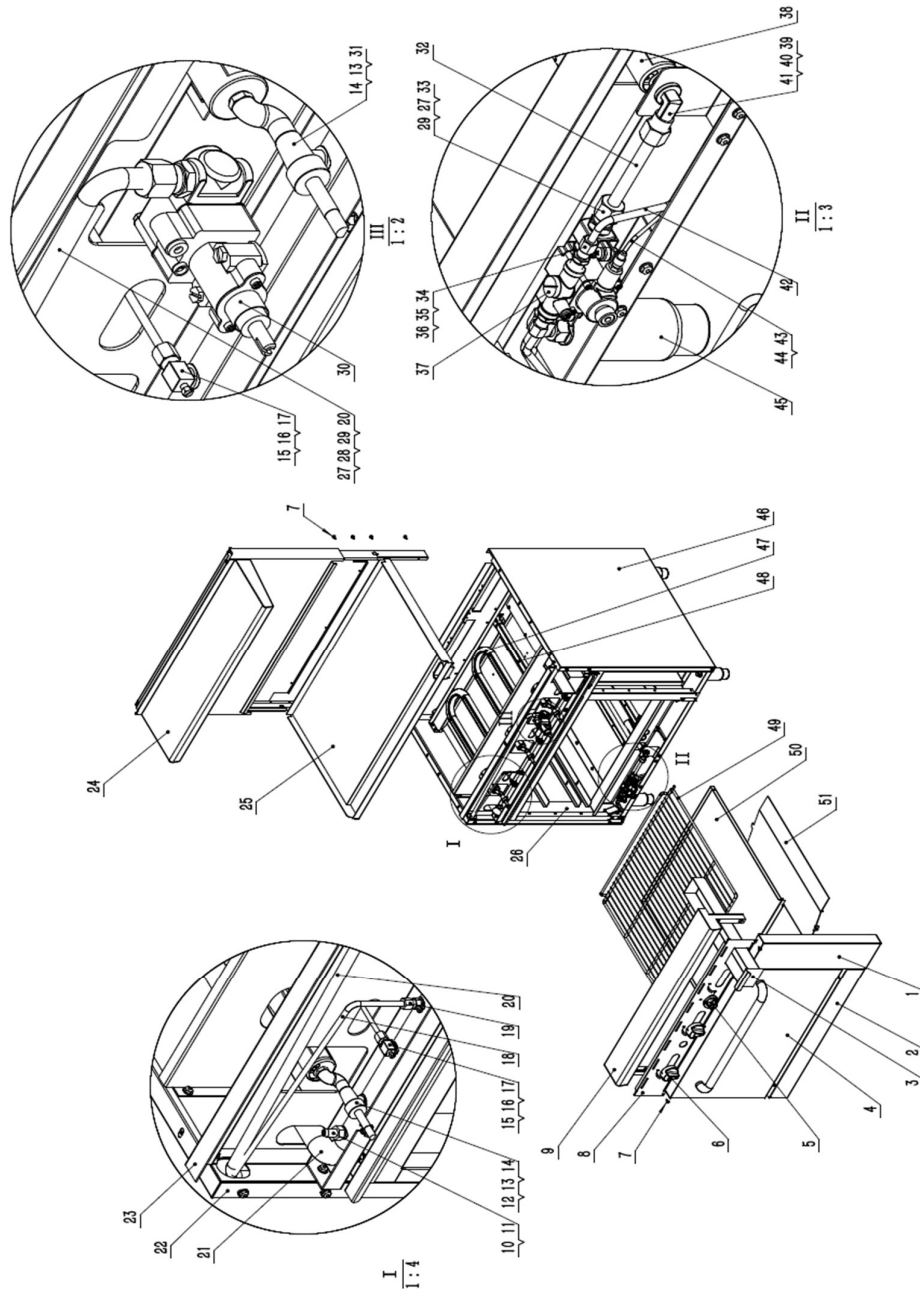
Appendix 1 . Three views of product (ATO-36G(NG/LG))



Appendix 2. Explosive view of product and parts

(ATO-36G(NG/LG))

- △ The use of parts provided by other companies, our company has the right not to provide warranty service;
- △ Order replacement parts from authorized representatives and after-sale service agency.
- △ Provide the model number, serial number and description when you order components.



| No. | Matters Code | Component name | Qty | Dimensions (mm)/Model | Notes |
|-----|--------------|--|-----|-----------------------|-------|
| 1 | 21107005069 | Oven door side panel | 1 | | |
| 2 | 21107001064 | Underside face plate of oven | 1 | | |
| 3 | 21207001009 | Griddle oil Box accessory | 1 | | |
| 4 | 21207001010 | Oven door assembly | 1 | 755*460*52 | |
| 5 | 301140008 | Oven thermostat valve knob | 1 | | |
| 6 | 301140001 | Kirsite knob | 3 | | |
| 7 | 301081006 | Galvanized hexagon head flange face self-tapping screw | 40 | ST4.8*12.5 | |
| 8 | 21107010068 | Control panel | 1 | | |
| 9 | 21207005004 | Table-board front board assembly | 1 | 914*125*189 | |
| 10 | 301060002 | Needle type pressure measuring connector screw | 1 | M5*23 | |
| 11 | 301060001 | Needle type pressure measuring connector | 1 | NPT 1/8"-27 | |
| 12 | 301040026 | Griddle U-shaped burner nozzle (NG) | 2 | NG42 Φ2.3 | |
| | 301040027 | Griddle U-shaped burner nozzle (LP) | | LP52 Φ1.6 | |
| 13 | 301050040 | Z-shape adapter | 3 | | |
| 14 | 301030002 | Stopcock | 3 | | |
| 15 | 301060003 | Pilot light head | 3 | A73007/TipΦ4.7 | |
| 16 | 21107001071 | Griddle spark air inlet (U) | 3 | | |
| 17 | 301030001 | Normally open fire valve (single) | 3 | | |
| 18 | 301050037 | Pilot fire input fire of oven (left) | 1 | | |
| 19 | 301030037 | Normally open fire valve (single) | 1 | AP5-2 | |
| 20 | 301050034 | Main fire intake pipe of stove (left) | 1 | | |
| 21 | 301070044 | input pipe | 1 | | |
| 22 | 21107001060 | Side block panel (left) | 1 | | |
| 23 | 21207010003 | Upper stove body assembly | 1 | 910*710*200 | |
| 24 | 21207005005 | Back guard assembly | 1 | 1524*340*967 | |
| 25 | 21207010008 | Griddle plate accessory | 1 | 910*608*60 | |
| 26 | 21207005001 | Lower stove body assembly | 1 | 910*696*572 | |
| 27 | 301050012 | Copper hoop | 4 | Φ10 | |
| 28 | 301060051 | Copper connector | 1 | 1/4" to M16 | |
| 29 | 301080007 | Copper nut | 4 | M16 | |
| 30 | 301030038 | Oven thermostat valve | 1 | BJWA-25PD1048 | |

| | | | | | |
|----|-------------|--|---|----------------------|--|
| 31 | 301040028 | Griddle I-shaped burner nozzle (NG) | 1 | NG45 Φ 2.1 | |
| | 301040029 | Griddle I-shaped burner nozzle(LP) | | LP54 Φ 1.45 | |
| 32 | 21107001072 | Main fire intake pipe of stove | 1 | | |
| 33 | 301060052 | Copper connector | 2 | 1 1/16" to M16 | |
| 34 | 301060053 | Copper nut | 2 | M10 | |
| 35 | 301050039 | Copper hoop | 2 | Φ 6 | |
| 36 | 301060054 | Copper connector | 2 | 7/16" to M10 | |
| 37 | 301030039 | Oven safety valve | 1 | TS11J-3211-1-0 | |
| 38 | 301010011 | Stove burner | 1 | | |
| 39 | 301040030 | Oven burner nozzle(NG) | 1 | NG39 Φ 2.5 | |
| | 301040027 | Oven burner nozzle(LP) | | LP52 Φ 1.6 | |
| 40 | 301080008 | Bronze locknut | 1 | | |
| 41 | 301050014 | Male copper elbow | 1 | M16 to 3/8"-27UNS | |
| 42 | 301050036 | Pilot fire exit tube of stove | 1 | | |
| 43 | 301030040 | Thermocouple | 1 | | |
| 44 | 301030041 | Kindling support(NG) | 1 | | |
| | 301030042 | Kindling support(LP) | | | |
| 45 | 301110006 | Gravity foot | 4 | Φ 51*120 | |
| 46 | 21107001061 | Side block panel (right) | 1 | | |
| 47 | 301010007 | U-shaped burner | 2 | | |
| 48 | 301010012 | I-shaped burner | 1 | | |
| 49 | 301100012 | Stove net rack | 1 | | |
| 50 | 21107001063 | Stove base plate | 1 | | |
| 51 | 21107001062 | Radiant panel of stove | 1 | | |

Appendix 3. Accessories List (ATO-36G(NG/LG))

| Accessory | Accessory No. | Quantity of accessories |
|--|---------------------------|-------------------------|
| Gravity foot | 301110006 | 4 pcs |
| Underside face plate of stove | 21107001064 | 1 pcs |
| Stove net rack | 301100012 | 1 pcs |
| Rear panel assembly of stove | 21207005005 | 1 pc |
| Galvanized hexagon head flange face self-tapping screw | 301081006 | 19 pcs |
| M6*12 stainless steel hexagon bolt | 301081019 | 2 pcs |
| M6 galvanized flat gasket | 301082001 | 2 pcs |
| M6 stainless steel spring washer | 301082018 | 2 pcs |
| Pressure maintaining valve | 301030011 (natural gas) | 1 pc |
| | 301030013 (liquefied gas) | |
| Instructions and attached drawings | | 1 pc |

Our products have the advantages of good durability and low maintenance charge. But to update some components and necessary maintenance, can prolong life length of the products. Contact the dealer for assistance. To avoid confusion, please follow the format of “Appendix 2. Explosive view of product and parts” in this manual.