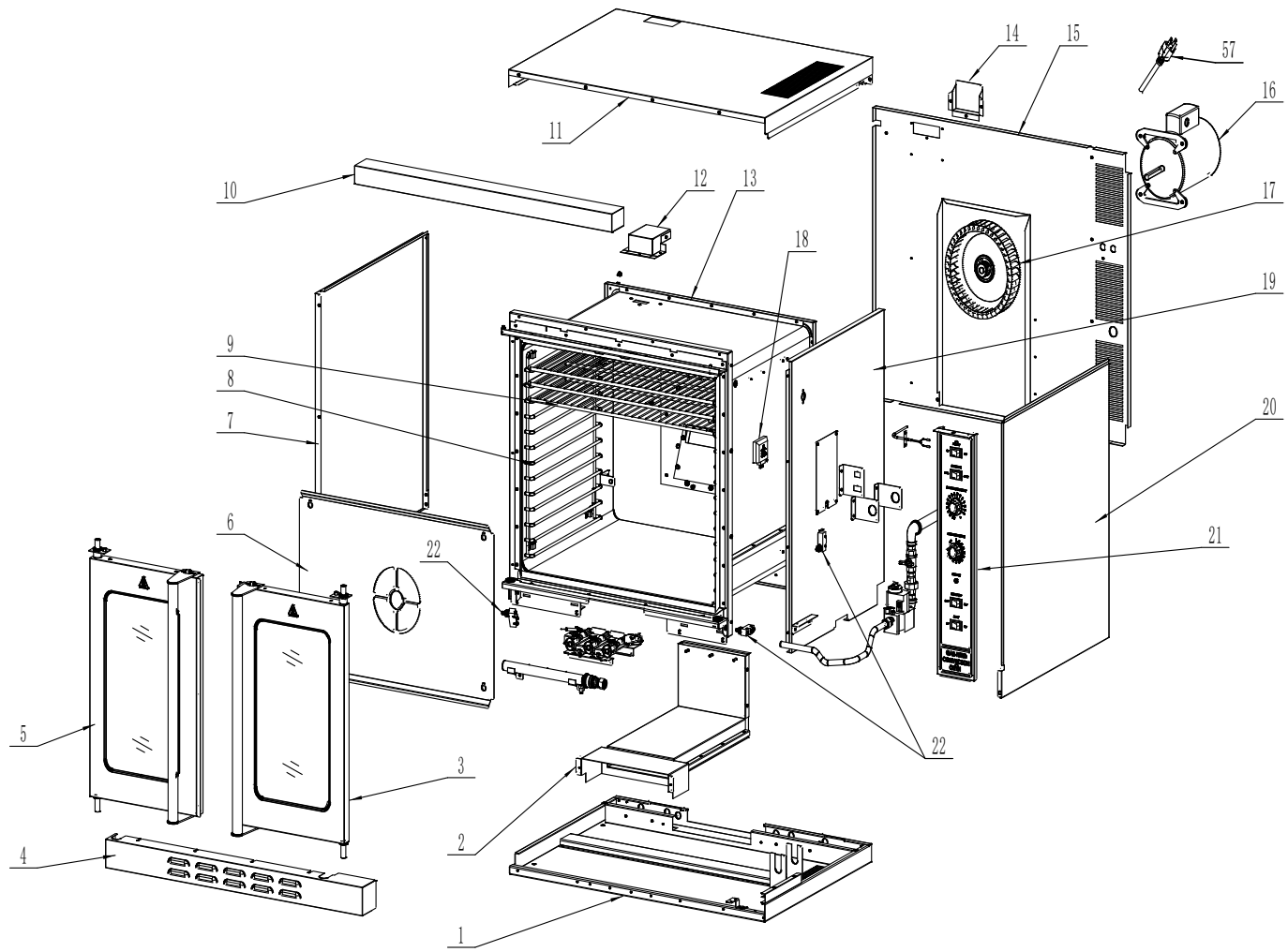


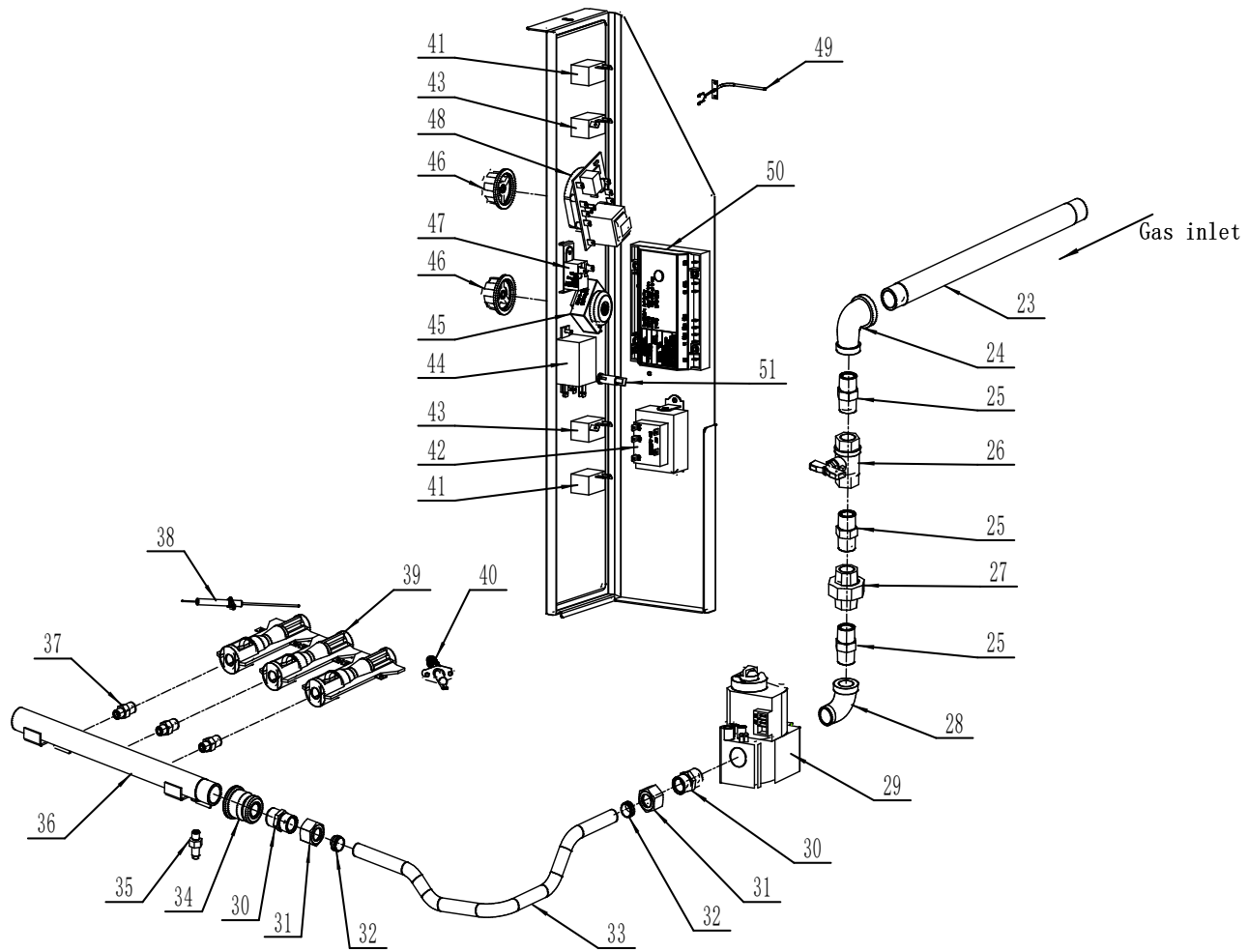
ATCO-513NB

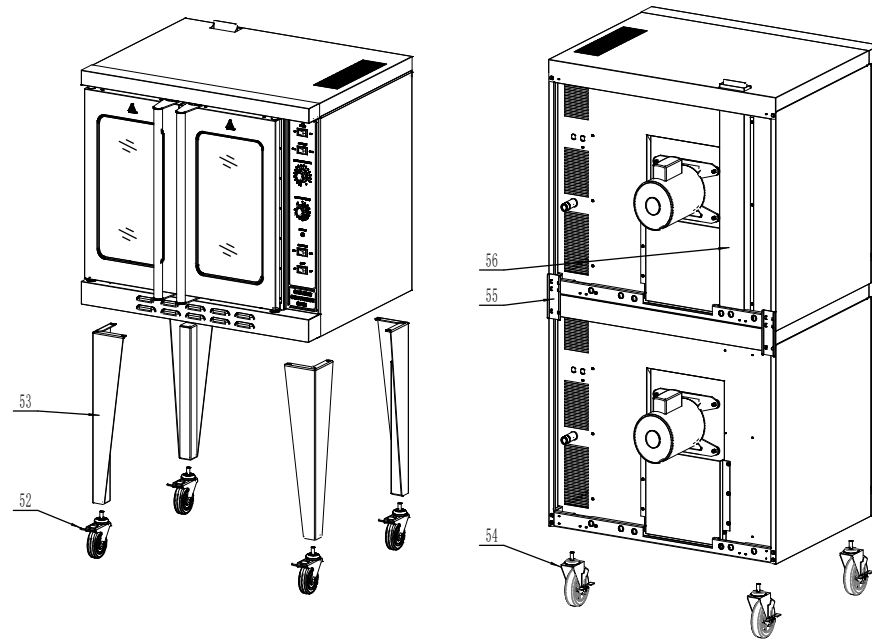
The use of parts provided by other companies, our company has the right not to provide warranty service;

△ Order replacement parts from authorized representatives and after-sale service agency.

△ Provide the model no. , serial no. and description when you order components.







No.	Matters Code	Component name	Qty	Dimensions (mm)/Model	Remark
1	21111001110	Bottom plate	1		
2	21211001048	Chamber passage	1		
3	21211001046	Right door(With glass)	1		
4	21111001116	Bottom panel	1		
5	21211001045	Left door(With glass)	1		

6	21311001002	Fan damper	1		
7	21111001122	Left side plate	1		
8	301100065	Side line	2		
9	301100064	Net Rack	5		
10	21111001115	Top panel	1		
11	21111001124	Cover	1		
12	21111001045、 21111001046	Smoke outlet	1		
13	21211001044	The oven to the tank	1		
14	21111001019	Smoke outlet baffle plate	1		
15	21111001136	Rear plate	1		
16	305990011	Motor	1		
17	301990034	Fan	1		
18	305030016	Oven Light	1		
19	21111001135	Right inside of the plate	1		
20	21111001123	Right side plate	1		
21	21211001050	Control panel assembly	1		
22	305060006	Micro Switch	3		
23	301070105	Gas inlet pipe	1		
24	301050060	Reducing elbow	1		
25	301050193	Male Threaded Coupler	3		

26	301050190	Gas Valve	1		
27	301050196	Movable joint	1		
28	301050195	Street elbow	1		
29	301030113	Solenoid valve(NG)	1	VR8205A2800	
	301030114	Solenoid valve(LPG)	1	VR8205M2831	
30	301050186	Copper connection	2		
31	301050187	Copper nut	2		
32	301050188	Seal copper sleeve	2		
33	301050191	Corrugated tube	1	Φ 15、L=500mm	
34	301050079	Female Threaded Coupler	1		
35	301060001 301060002	Pressure test point	1		
36	301070104	Injector intake pipe	1		
37	301040163	Injector (NAT)	3	48# (Φ 1.90mm)	
	301040164	Injector (LPG)	3	56# (Φ 1.20mm)	
38	301030106	Flame sensing needle	1		
39	301010016	Burner	3		
40	305110015	Hot Surface Igniter	1		
41	305060003	Power Switch	1		
		Oven Interior Light Switch	1		

42	305990084	Transformer	1		
43	305060004	Fan Mode switch	1		
		HI/LOW Fan Speed	1		
44	305100002	Relay	1		
45	305060024	Cook Timer	1		
46	301140018	Knob	2		
47	305990106	Buzzer	1		
48	305110035	Cook Temperature Control	1		
49	305990008	Temperature Probe	1		
50	305110014	Ignition Control Module	1		
51	305030015	HEAT-ON Indicator	1		
52	301990022	4"Castor	4		
53	21211001004	Leg	4		
54	301990035	5"Castor	4		
55	21111001079	Stacking Bracket	2		
56	21111001075	Flue extension	1		
57	305040003	Power line	1		

Accessories List

Name	Qty	Model
		ATCO-513NB-D (DOUBLE LAYER CONVECTION OVEN)
5"Castor	4 pieces	(301990035)
Stacking Bracket	2 pieces	(21111001079)
Flue extension	1 pieces	(21111001075)
Screw	12 pieces	(301081044)
Instructions	1 piece	(304080650)
Installation instructions	1 piece	(304080683)

Name	Qty	Model
		ATCO-513NB (SINGLE LAYER CONVECTION OVEN)
4"Castor	4 pieces	(301990022)
Leg	4 pieces	(21211001004)
Plain Washers Ø8	12 pieces	(301082022)
Spring Lock Washers Ø8	12 pieces	(301082021)
Screw M8×25	12 pieces	(301081054)
Instructions	1 piece	(304080650)
Installation instructions	1 piece	(304080682)