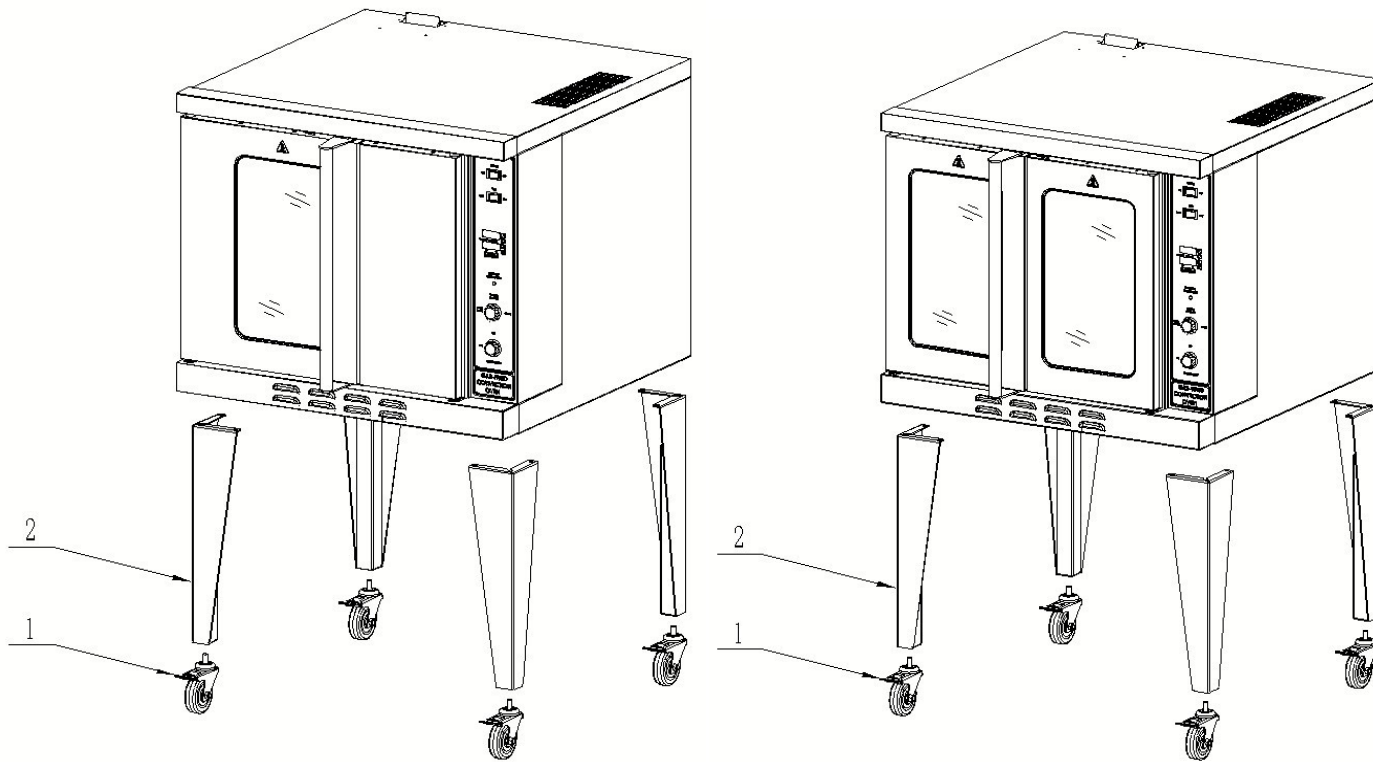


No.	Matters Code	Component name	Qty	Dimensions (mm)/Model	Remark
3	21111001074	Micro switch location code	1		
	301060069	Micro switch location sleeve	1		
4	21111001006	Bottom panel	1	968*90*77	
5	21211001035	Right door(With glass)	1	641*399*45	
6	301120021	Door handle	1	φ 32*641. 5	
7	21211001034	Left door(With glass)	1	641*423. 5*45	
8	21111001036	Burning net	2		
	21111001037	Fixed piece of burning net	1		
	21111001038	Burning net support	1		
9	21111001033	Top flue	1		
	21111001034	Down flue	1		
10	21211001036	Door marble	1		
11	301100016	Side line	2		
12	301100017	Net Rack	5		
13	21311001002	Fan damper	1	732*493	
14	21111001001	Left side plate	1	903*742	

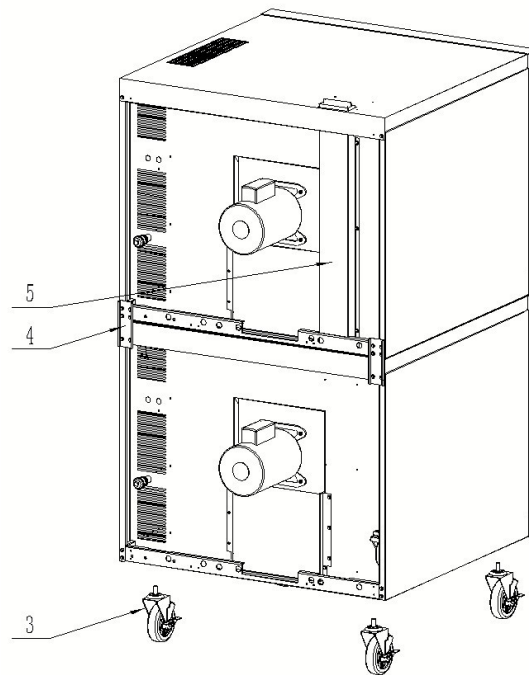
15	301990034	Fan	1	φ 250*54	
16	21111001005	Top panel	1	970*68*50	
17	21211001017	The chain fitting	1		
18	21111001004	Cover	1	968*904	
19	305990011	Motor	1		
20	21311001005	Motor support plate	2		
21	305990006	Bulb	2		
22	305990007	Lamp-socket	2	JY-2606	
23	305110002	Ignition module	1	35-703920	
24	21211001016	Control panel assembly	1		
25	21111001002	Right side plate	1	885*742	
26	305060006	Door switch	1		
27	305990008	Temperature Probe	1		
28	305060003	Light switch	1		
29	305060004	Fan switch	1		
30	305100002	Relay	1		
31	305110001	Controller	1		
32	305030004	Indicator light	1		
33	305060005	Rotary switch	1	4RH	

34	301140018	Knob	2		
35	301990030	Panel (PVC)	1		
36	21111001073	Control panel	1		
37	301030069	Gas valve	1	AW5-1	
38	301030074	Double solenoid valve	1	CV300P2C1B-44-0001	
39	301050081	Corrugated pipe	1	ϕ 6.35*900	
40	301030068	Single solenoid valve (LPG)	1	CV100P5L-S33-0001	
	301030076	Single solenoid valve (NAT)	1	CV100P5N-S33-0001	
41	301050012	Seal copper sleeve	1	ϕ 10	
42	301080007	Copper nut	1	M16*1.25	
43	301050062	Copper connection	1	3/8"-M16	
44	301050082	Corrugated pipe	1	ϕ 10*630	
45	301050012	Seal copper sleeve	1	ϕ 10	
46	301080007	Copper nut	1	M16*1.25	
47	301060051	Copper connection	1	1/4"-M16	
48	301030070	Pilot (NAT)	1	B11H5	
	301030071	Pilot (LPG)	1	B11H5	

49	21111001032	Pilot support	1		
	301010016	Burner	1		
50	301010016	Burner	1		
51	301040031	Injector (LPG)	2	LPG54	
	301040004	Injector (NAT)	2	NG43	
52	301080008	Copper nut	2	M18	
53	301050014	Copper elbow	2	3/8"-M16	
54	301050012	Seal copper sleeve	1	φ 10	
55	301080007	Copper nut	1	M16*1.25	
56	301050084	Corrugated pipe	1	φ 10*415	
57	301050143	Pilot nut	1	7/16"-24UNS	



No.	Matters Code	Component name	Qty	Dimensions (mm)/Model	Remark
1	301990022	4"Castor	4		
2	21211001004	Leg	4	131*131*576.5	



No.	Matters Code	Component name	Qty	Dimensions (mm)/Model	Remark
3	301990035	5"Castor	4		
4	21111001079	Stacking Bracket	2		
5	21111001075	Flue extension	1		

Accessories List

Name	Qty	Model
		ATCO-513A ATCO-513B (DOUBLE LAYER CONVECTION OVEN)
5"Castor	4 pieces	(301990035)
Stacking Bracket	2 pieces	(21111001079)
Flue extension	1 pieces	(21111001075)
Screw	12 pieces	(301081044)
Instructions	1 piece	(304080397)
Installation instructions	1 piece	(304080395)

Name	Qty	Model
		ATCO-513A ATCO-513B (SINGLE LAYER CONVECTION OVEN)
4"Castor	4 pieces	(301990022)
Leg	4 pieces	(21211001004)
Plain Washers Ø8	12 pieces	(301082022)
Spring Lock Washers Ø8	12 pieces	(301082021)
Screw M8×25	12 pieces	(301081054)
Instructions	1 piece	(304080397)
Installation instructions	1 piece	(304080394)