

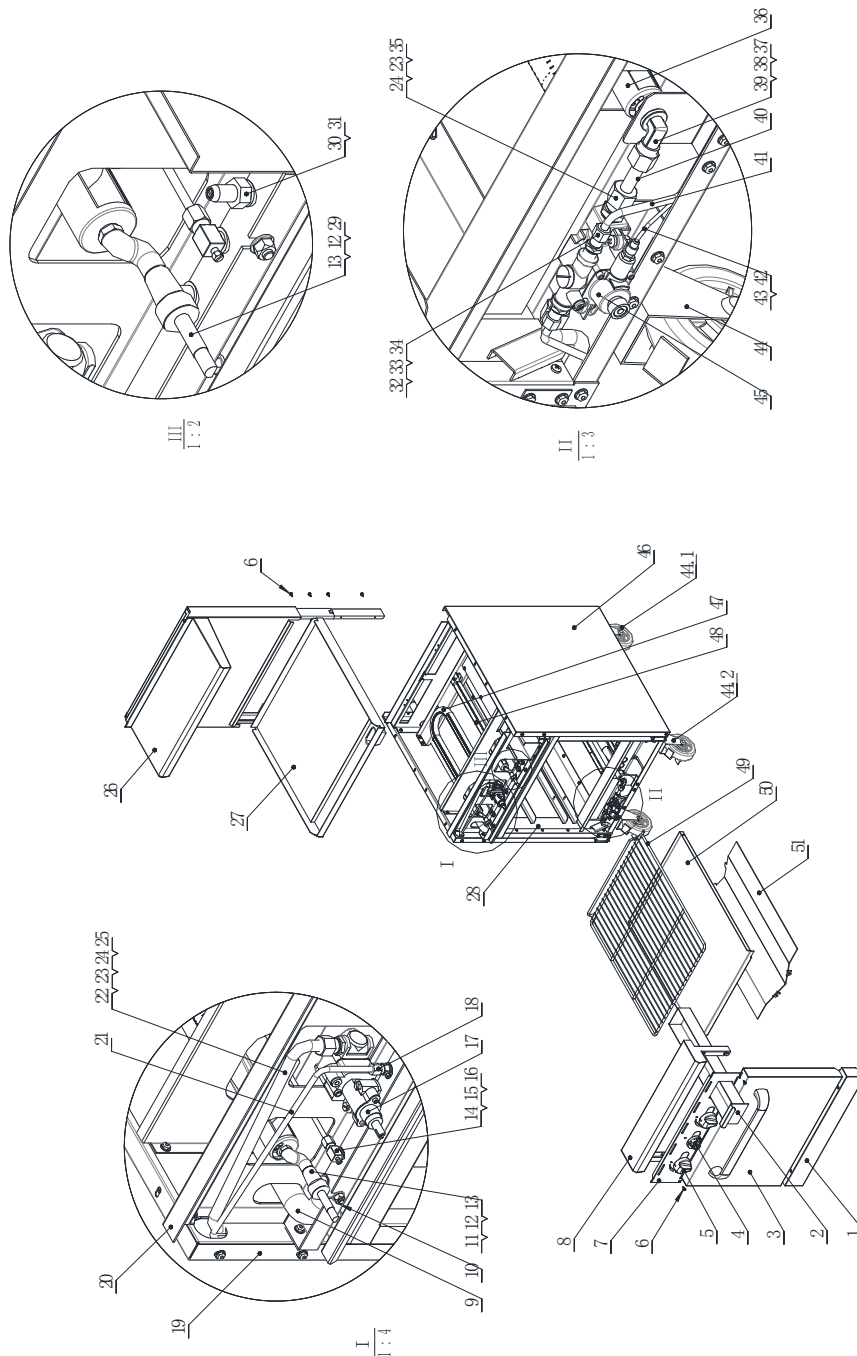
Appendix 2. Explosive view of product and parts

ATO-24G(NG/LG)

The use of parts provided by other companies, our company has the right not to provide warranty service;

Order replacement parts from authorized representatives and after-sale service agency.

Provide the model number, serial number and description when you order components.



No.	Matters Code	Component name	Qty	Dimensions (mm)/Model	Notes
1	21107004064	Underside face plate of oven	1		
2	21207001009	Griddle oil Box accessory	1		
3	21207004010	Oven door assembly	1	605*460*52	
4	301140008	Oven thermostat valve knob	1		
5	301140001	Kirsite knob	2		
6	301081037	Galvanized hexagon head flange face self-tapping screw	31	ST4.8*12.5	
7	21107012068	Control panel	1		
8	21207011004	Table-board front board assembly	1	610*125*189	
9	301070046	input pipe	1		
10	301080002	Galvanized flange nut	3	M6	
11	301040026	Griddle U-shaped burner nozzle (NG)	1	NG42 Φ2.3	
	301040027	Griddle U-shaped burner nozzle (LP)		LP52 Φ1.6	
12	301050040	Z-shape adapter	2		
13	301030002	Stopcock	2		
14	301030001	Normally open fire valve (single)	2	AP7-1	
15	21107001073	Griddle spark air inlet	2		
16	301060003	Pilot light head	2	A73007/TipΦ4.7	
17	301030038	Oven thermostat valve	1	BJWA-25PD0548	
18	301030037	Normally open fire valve (single)	1	AP5-2	
19	21107001060	Side block panel (left)	1		
20	21207012003	Upper stove body assembly	1	910*710*200	
21	301050043	Pilot fire input fire of oven (left)	1		
22	301050045	Main fire intake pipe of stove (left)	1		
23	301050012	Copper hoop	4	Φ10	
24	301080007	Copper nut	4	M16	
25	301060051	Copper connector	1	1/4" to M16	
26	21207011005	Back guard assembly	1	610*340*967	
27	21207012008	Griddle plate accessory	1	910*608*60	

28	21207011001	Lower stove body assembly	1	610*696*572	
29	301040028	Griddle I-shaped burner nozzle (NG)	1	NG45 Φ 2.1	
	301040029	Griddle I-shaped burner nozzle (LP)		LP54 Φ 1.45	
30	301060001	Needle type pressure measuring connector	1	NPT 1/8"-27	
31	301060002	Needle type pressure measuring connector screw	1	M5*23	
32	301060054	Copper connector	2	7/16" to M10	
33	301050039	Copper hoop	2	Φ 6	
34	301060053	Copper nut	2	M10	
35	301060052	Copper connector	2	11/16" to M16	
36	301010011	Stove burner	1		
37	301040032	Oven burner nozzle(NG)	1	NG44 Φ 2.2	
	301040033	Oven burner nozzle(LP)		LP53 Φ 1.5	
38	301080008	Bronze locknut	1		
39	301050014	Male copper elbow	1	M16 to 3/8"-27UNS	
40	21107004072	Main fire intake pipe of stove	1		
41	301050036	Pilot fire exit tube of stove	1		
42	301030049	Thermocouple	1		
43	301030041	Kindling support(NG)	1		
	301030042	Kindling support(LG)			
44.1	301990036	wheels without brake	2		
44.2	301990035	wheels with brake	2		
45	301030039	Oven safety valve	1	TS11J-3211-1-0	
46	21107001061	Side block panel (right)	1		
47	301010007	U-shaped burner	1		
48	301010012	I-shaped burner	1		
49	301100013	Stove net rack	2		
50	21407004005	Stove base plate	1		
51	21107004062	Radiant panel of stove	1		

Appendix 3. Accessories List ATO-24G(NG/LG)

Accessory	Accessory No.	Quantity of accessories
wheels without brake	301990036	2 pcs
wheels with brake	301990035	2 pcs
Underside face plate of stove	21107004064	1 pcs
Stove net rack	301100013	2 pcs
Rear panel assembly of stove	21207011005	1 pc
Galvanized hexagon head flange face self-tapping screw	301081037	18 pcs
M6*12 stainless steel hexagon bolt	301081019	2 pcs
M6 galvanized flat gasket	301082001	2 pcs
M6 stainless steel spring washer	301082018	2 pcs
Pressure maintaining valve	301030011 (natural gas)	1 pc
	301030013 (liquefied gas)	
Instructions and attached drawings		1 pc

Our products have the advantages of good durability and low maintenance charge. But to update some components and necessary maintenance, can prolong life length of the products. Contact the dealer for assistance. To avoid confusion, please follow the format of “Appendix 2. Explosive view of product and parts” in this manual.