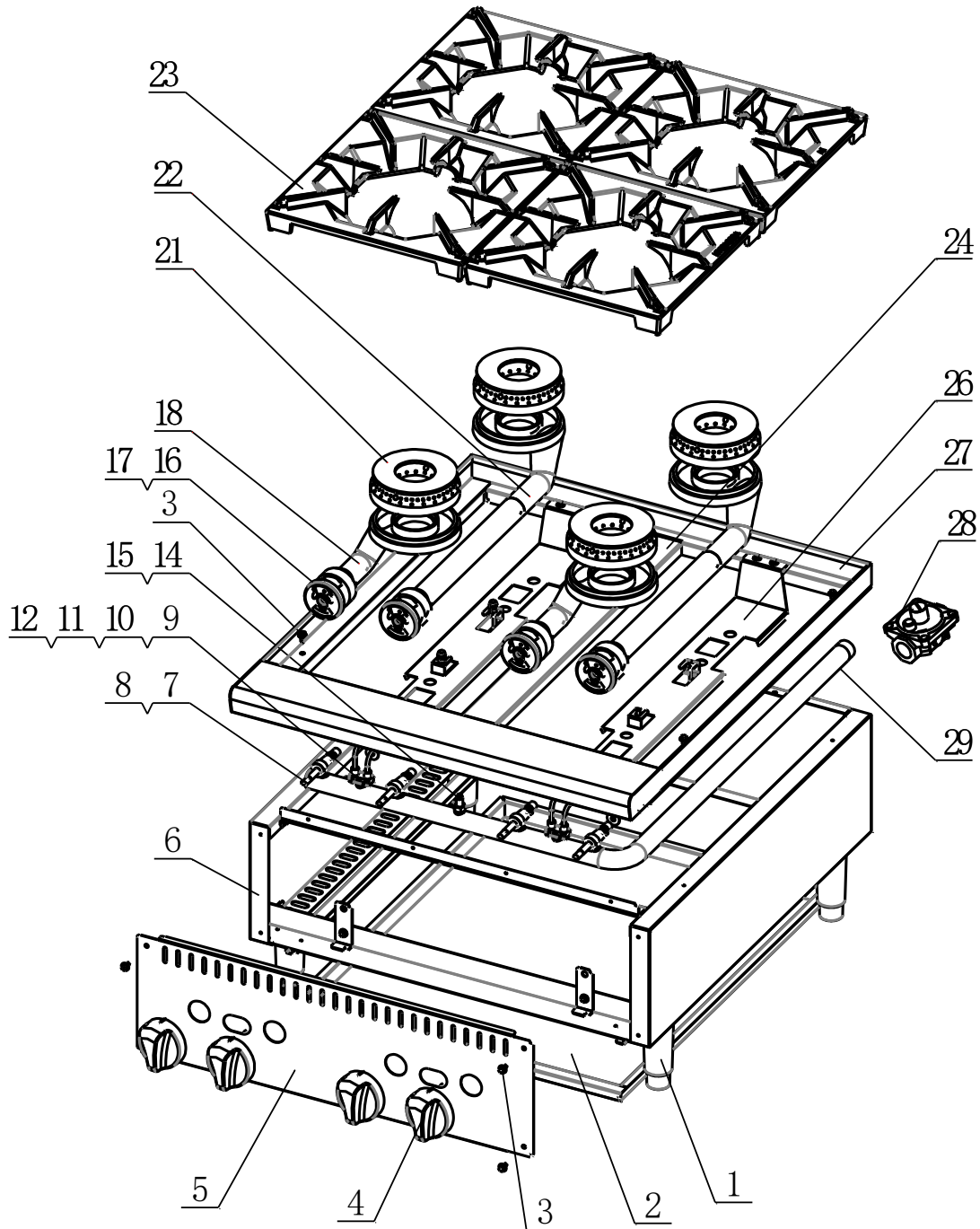


ACHP-2, ACHP-4, ACHP-6

⚠ The use of parts provided by other companies, our company has the right not to provide warranty service;

⚠ Order replacement parts from authorized representatives and after-sale service agency.

⚠ Provide the model number, serial number and description when you order components.



No.	Matters Code	Component name	Qty	Dimensions (mm)/Model	Remark
1	301110001	Adjustable steel legs	4	φ 41.5*100	ACHP-2 ACHP-4 ACHP-6
2	21103001014	Catch HPay	1	507*620*26.5	ACHP-2
	21103002014			807*620*26.5	ACHP-4
	21103003014			1107*620*26.5	ACHP-6
3	301081006	Galvanized American outside six corner with pad tapping	30	ST4.8*12.5	ACHP-2 ACHP-4 ACHP-6
4	301140001	Kirsite knob	2		ACHP-2
			4		ACHP-4
			6		ACHP-6
5	21103001040	ConHPol panel	1	605*185	ACHP-2
	21103002069			905*185	ACHP-4
	21103003025			1205*185	ACHP-6
6	21203001007	surround	1	310*640*203	ACHP-2
	21203002007			610*640*203	ACHP-4
	21205003007			910*640*203	ACHP-6
7	301030002	A18 stopcock	2	A18-318	ACHP-2
			4		ACHP-4
			6		ACHP-6
8	301040008	Nozzle (NG)	2	NG37 LPG51	ACHP-2
	301040152	Nozzle (LP)	4		ACHP-4
			6		ACHP-6
9	301030007	Pilot light valve-double unit	1	AP6-1	ACHP-2
			2		ACHP-4
			3		ACHP-6
10	21103001041	Air input pipe-short	1		ACHP-2
			2		ACHP-4
			3		ACHP-6

11	21103001042	Air input pipe-long	1		ACHP-2
			2		ACHP-4
			3		ACHP-6
12	301060003	Pilot light head	2	A73007/TiP ϕ 4.7	ACHP-2
			4		ACHP-4
			6		ACHP-6
14	301060001	Needle type pressure joint	1	1/8"-27NPT	ACHP-2 ACHP-4 ACHP-6
15	301060002	Needle type pressure joint screw arbor	1	M5*23	ACHP-2 ACHP-4 ACHP-6
16	301990001	Damper cover	2		ACHP-2
			4		ACHP-4
			6		ACHP-6
17	301081002	Stainless steel cross recess head screw	2	M4*8	ACHP-2
			4		ACHP-4
			6		ACHP-6
18	301020041	Short ejector	1		ACHP-2
			2		ACHP-4
			3		ACHP-6
21	301020040	Burner lid	2		ACHP-2
			4		ACHP-4
			6		ACHP-6
22	301020042	Long ejector	1		ACHP-2
			2		ACHP-4
			3		ACHP-6
23	301020004	Octangular cooking grates	2	Y-0004	ACHP-2
			4		ACHP-4
			6		ACHP-6
24	21103002016	Diaphragm	0	578*52*16	ACHP-2
			1		ACHP-4
			2		ACHP-6
26	21103001037	Burner back plate	1		ACHP-2
			2		ACHP-4
			3		ACHP-6

27	21203001001	Unit	1	310*700*37	ACHP-2
	21203002001			610*700*37	ACHP-4
	21203003001			910*700*37	ACHP-6
28	301030014	pressure maintaining valve	1	4" -10"	ACHP-2 ACHP-4 ACHP-6
29	301070007	Double burners countertop hot plates/cooktops in-take tube	1		ACHP-2
	301070008	Four burners countertop hot plates/cooktops in-take tube		ACHP-4	
	301070009	six burners countertop hot plates/cooktops in-take tube		ACHP-6	

Accessories List

Name	Model	ACHP-2	ACHP-4	ACHP-6
	Qty			
Adjustable steel legs		4 pieces (301110001)	4 pieces (301110001)	4 pieces (301110001)
Catch HPay		1 piece (21103001014)	1 piece (21103002014)	1 piece (21103003014)
pressure maintaining valve		1 piece (301030014)	1 piece (301030014)	1 piece (301030014)
Nozzle		2 piece (301040008) or (301040152)	4 piece (301040008) or (301040152)	6 piece (301040008) or (301040152))
insHPuctions		1 piece (304080406)	1 piece (304080406)	1 piece (304080406)