

VAPOR-SI

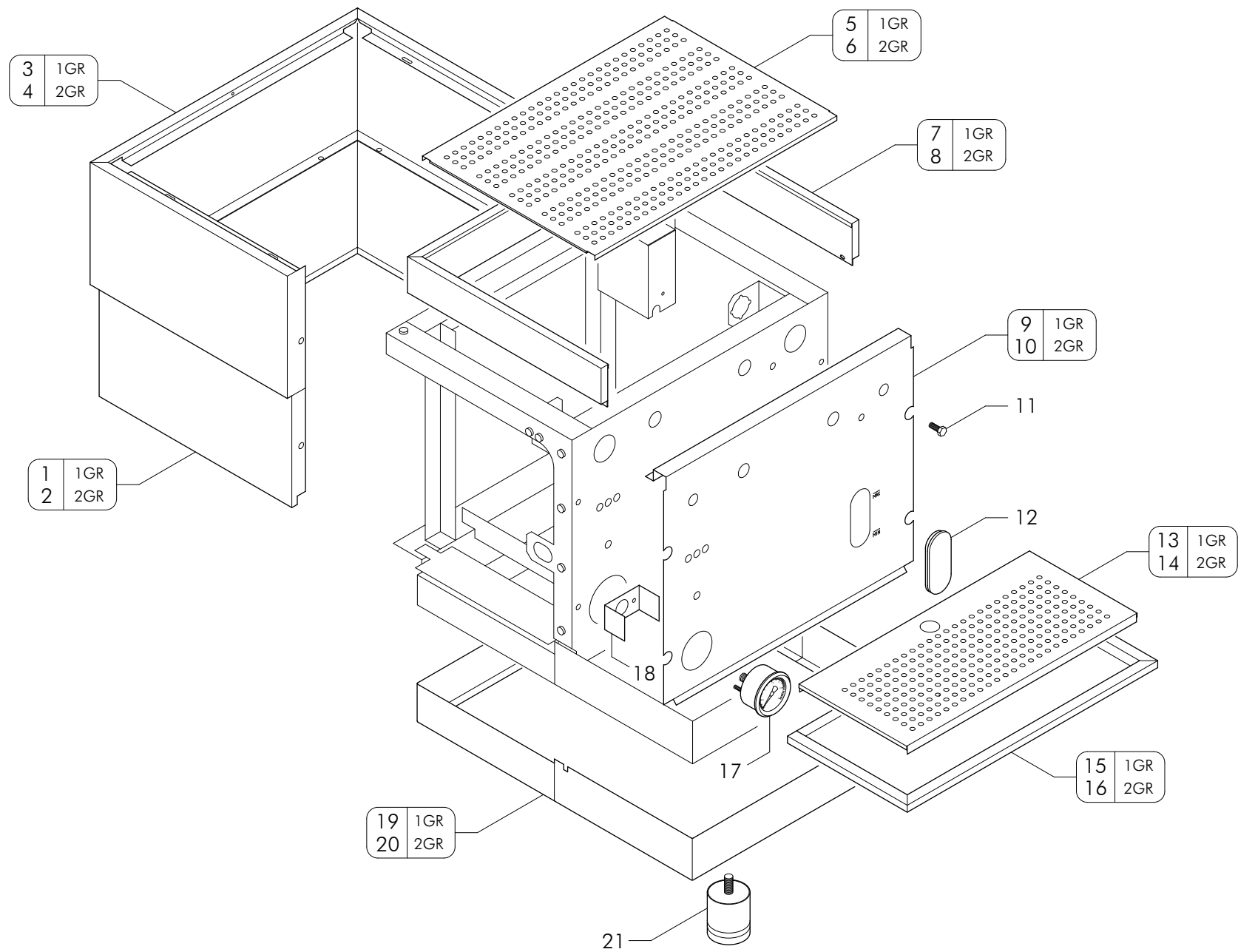
USA

Parti di ricambio - Spare parts - Pieces detachees - Ersatzteilekatalog

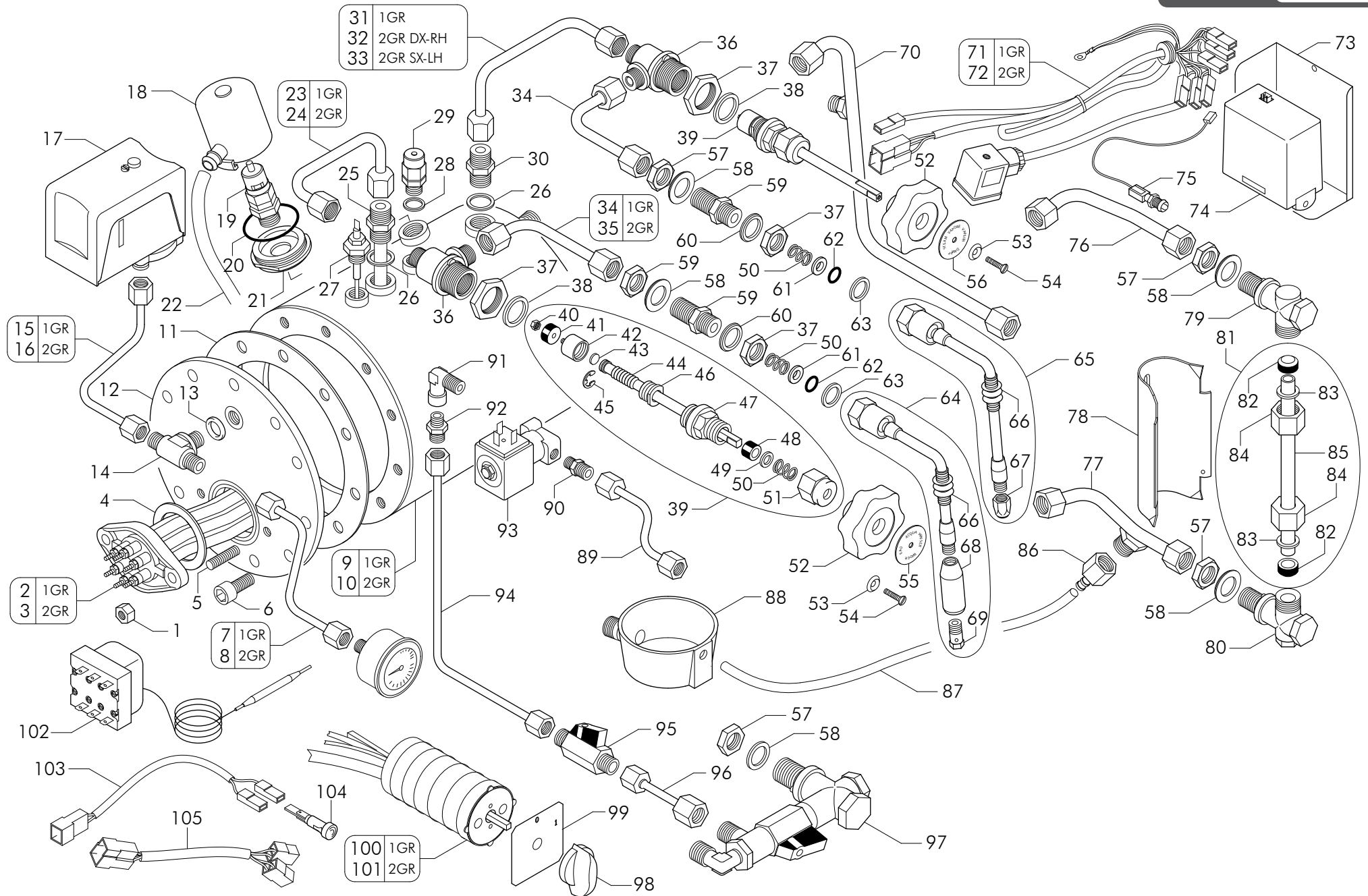
Code	Description	Page	Rev.	Date
VAPS-01U	Carrozzeria - Body parts - Carrosserie - Karosserie	2	00	07/2015
VAPS-11U	Impianto idraulico/elettrico - Hydraulic/electrical circuit - Circuits hydraulique/electrique - Wasser/Strom anlage	4	00	07/2015



Think espresso.



Pos	Code	Denominazione - IT -	Denomination - EN -	Denomination - FR -	Denomination - DE -
1	75550	PANNELLO INFERIORE 1GR	LOWER PANEL 1GR	PANNEAU INFERIEUR 1GR	UNTERTAFEL 1GR
2	75551	PANNELLO INFERIORE 2GR	LOWER PANEL 2GR	PANNEAU INFERIEUR 2GR	UNTERTAFEL 2GR
3	75510	PANNELLO SUPERIORE 1GR	TOP PANEL 1GR	PANNEAU SUPERIEUR 1GR	OBERTAFEL 1GR
4	75511	PANNELLO SUPERIORE 2GR	TOP PANEL 2GR	PANNEAU SUPERIEUR 2GR	OBERTAFEL 2GR
5	76300	GRIGLIA SUPERIORE 414x295	TOP GRATE 414x295	GRILLE SUPERIEURE 414x295	OBERGITTER 414x295
6	76290	GRIGLIA SUPERIORE 332x295	TOP GRATE 332x295	GRILLE SUPERIEURE 332x295	OBERGITTER 332x295
7	77199	PROFILO SUPERIORE 1GR	TOP SURROUND 1GR	PROFILS SUPERIEUR 1GR	OBERUMRANDUNG 1GR
8	77200	PROFILO SUPERIORE 2GR	TOP SURROUND 2GR	PROFILS SUPERIEUR 2GR	OBERUMRANDUNG 2GR
9	71700	FRONTONE 1GR	FRONT PANEL 1GR	PANNEAU FRONTAL 1GR	STIRNTAFEL 1GR
10	71701	FRONTONE 2GR	FRONT PANEL 2GR	PANNEAU FRONTAL 2GR	STIRNTAFEL 2GR
11	23317	VITE TC 5x10 UNI8112	SCREW TC 5x10 UNI8112	VIS TC 5x10 UNI8112	SCHRAUBE TC 5x10 UNI8112
12	21202	SEGNALIVELLO	LEVEL INDICATOR	SIGNAL NIVEAU	FARBLOSER NIVEAUANZEIGER
13	76151	GRIGLIA INFERIORE 390x199 INOX SATINATO	S.STEEL LOWER GRATE 390x199	GRILLE INFERIEURE INOX 390x199	STAHL UNTERGITTER 390x199
14	76161	GRIGLIA INFERIORE DESTRA 318.5x199	LOWER GRATE 318.5x199 RIGHT	GRILLE INFERIEURE DROIT 318.5x199	UNTERGITTER RECHTS 318.5x199
14	76162	GRIGLIA INFERIORE SINISTRA 318.5x199	LOWER GRATE LEFT 318.5x199	GRILLE INFERIEURE GAUCHE 318.5x199	UNTERGITTER LINKS 318.5x199
15	76002	BACINELLA 1GR	TRAY 1GR	CUVE 1GR	SCHALE 1GR
16	76011	BACINELLA 2GR	TRAY 2GR	CUVE 2GR	SCHALE 2GR
17	4621101	MANOMETRO 3 ATM CW510L	PRESSURE GAUGE 3 ATM	MANOMETRE 3 ATM	MANOMETER 3 ATM
18	60115	SUPPORTO MANOMETRO	GAUGE SUPPORT	SUPPORT MANOMETRE	MANOMETERHALTER
19	77510000	PROFILO BASAMENTO 1GR INOX	S.STEEL BASE SURROUND 1GR	PROFILS BASE INOX 1GR	STAHL BASISPROFIL 1GR
20	77511000	PROFILO BASAMENTO 2GR INOX	S.STEEL BASE SURROUND 2GR	PROFILS BASE INOX 2GR	STAHL BASISPROFIL 2GR
21	15321	PIEDINO REGOLABILE INOX/SAT H88/102	ADJUSTABLE FOOT H88/102	PIED REGLABLE H88/102	REGELBARER FUSS H88/102



Pos	Code	Denominazione - IT -	Denomination - EN -	Denomination - FR -	Denomination - DE -
1	23049	DADO OTTONE M8	BRASS NUT M8	ECROU LAITON M8	MESSING-SCHRAUBENMUTTER M8
2	4617000001	RESISTENZA 1GR 120V 1500W	HEAT.ELEMENT 120V 1500W	RESISTANCE 120V 150W ETL4	HEIZKORPER 1GR 120V 1500W
3	4617050	RESISTENZA 2GR 4P 120V 2600W	HEATING ELEM. 2GR 4P 120V 2600W	RESISTANCE 2GR 4P 120V 2600W	HEIZKORPER 2GR 4P 120V 2600W
4	12001	GUARNIZIONE TEFLON 58x43x2	TEFLON GASKET 58x43x2	JOINT TEFLON 58x43x2	TEFLON DICHTUNG 58x23x2
5	23133	PRIGIONIERO INOX 8x40	STAINLESS STEEL BOLT 8x40	VIS INOX 8x40	STAHLSCHRAUBE 8x40 8x40
6	23556	VITE TCEI INOX 10x20	STEEL SCREW TCCE 10X20	VIS INOX TCCE 10X20	STAHLSCHRAUBE TCCE 10x20
7	4652000706	TUBO D-6 L.155	TUBE D-6 L.155	TUYAU D-6 L.155	ROHR D-6 L.155
8	4652000290	TUBO D-4 L.220	TUBE D-4 L.220	TUYAU D-4 L.220	ROHR D-4 L.220
9	4662803000	CALDAIA 1GR VAPORE	BOILER 1GR	CHAUDIERE 1GR	KESSEL 1GR
10	4662803100	CALDAIA 2GR VAPORE	BOILER 2GR	CHAUDIERE 2GR	KESSEL 2GR
11	12003	GUARNIZIONE CALDAIA	BOILER GASKET	JOINT CHAUDIERE	KESSELDICHTUNG
12	4653011	FLANGIA NORMALE SENZA FORI CW510L	FLANGE WITHOUT HOLES CW510L	BRIDE SANS TROUS CW510L	NORMALER FLANSCH OHNE LOCHER CW510L
13	12100	GUARNIZIONE CU/ALIM 1/4 18.7x13.2x2.5	CU GASKET 1/4 18.7X13.2X2.5	JOINT CU 1/4 18.7X13.2X2.5	CU DICHTUNG 1/4 18.7x13.2x2.5
14	4643060	RACCORDO -T- 1/4x1/4x1/4 CW510L	'T' CONNECTOR 1/4x1/4x1/4 CW510L	RACCORD 'T' 1/4x1/4x1/4 CW510L	T'-ANSCHLUSS 1/4X1/4X1/4 CW510L
15	4652001220	TUBO D-6 L.235	TUBE D-6 L.235	TUYAU D-6 L.235	ROHR D-6 L.235
16	4652003932	TUBO D-6 L.165	TUBE D-6 L.165	TUYAU D-6 L.165	ROHR D-6 L.165
17	4620150	PRESSOSTATO SECCO SIRAI 30A CW510L	DRY PRESSURE SWITCH SIRAI 30A CW510L	PRESSOSTAT SEC SIRAI 30A CW510L	TROCKENDRUCKWACHTER SIRAI 30A CW510L
18	56009980	ASSIEME PROTEZIONE VALVOLE SICUREZZA	UNIT PROTECTION VALVE	ENSEMBLE PROTECTION VANNE	SATZ-SCHUTZGITTER VENTIL
19	4620352001	VALVOLA SICUREZZA SIG.CMA 22PSI	SIG.SAFETY VALVE CW510L	VANNE DE SECURITE JOINT CW510L	SICHERHEITSENTIL SIG. CW510L
20	12300000	GUARNIZIONE OR	GASKET O RING	JOINT OR	OR DICHTUNG
21	15006001	FLANGIA VALVOLA SICUREZZA	FLANGE VALVE	JOINT VANNE	FLANSCH VENTIL
22	15478002	TUBO SILICONE 8x11 L.70cm	SILICONE TUBE 8x11 L.70cm	TUYAU SILICONE 8x11 L.70cm	SILIKONROHR 8x11 L.70cm
23	4652000704	TUBO D-8 L.190	TUBE D-8 L.190	TUYAU D-8 L.190	ROHR D-8 L.190
24	4652000711	TUBO D-8 L.200	TUBE D-8 L.200	TUYAU D-8 L.200	ROHR D-8 L.200
25	4652001612	TUBO D-10 L.115	TUBE D-10 L.115	TUYAU D-10 L.115	ROHR D-10 L.115
26	12154	GUARNIZIONE CU 3/8 22x17x1.5	GASKET COPPER 3/8 22x17x1,5	JOINT CUIVRE 3/8 22x17x1.5	KUPFERDICHTUNG 3/8 22x17x1.5
27	4620251	SONDA LIVELLO CW510L	LEVEL PROBE	JAUG	PEGELFUHLER
28	12153	GUARNIZIONE RAME 1/4 17x13.3x1.5	GASKET 1/4 17x13.3x1.5 COPPER	JOINT CUIVRE 1/4 17x13.3x1.5	KUPFERDICHTUNG 1/4 17x13.3x1.5
29	4656150	VALVOLA ANTIRISUCCHIO V.A.R. CW510L	ANTI-EDDY VALVE V.A.R. CW510L	SOUPAPE ANTI-DEPRESSION V.A.R. CW510L	VENTIL UNTERDRUCKFREI V.A.R. CW510L
30	4625687	RACCORDO 3/8x3/8 CW510L	3/8x3/8 FITTING CW510L	RACCORD 3/8x3/8 CW510L	ANSCHLUSS 3/8x3/8 CW510L
31	4652000703	TUBO D-8 L.190	TUBE D-8 L.190	TUYAU D-8 L.190	ROHR D-8 L.190
32	4652000712	TUBO D-8 L.235 VAPORE DESTRO	TUBE D-8 L235 STEAM RIGHT	TUYAU D-8 L.235 VAPEUR DROITE	ROHR D-8 L.235 DAMPF RECHTS
33	4652000710	TUBO D-8 L.225 VAPORE SINISTRO	TUBE D-8 L225 STEAM LEFT	TUYAU D-8 L.225 VAPEUR GAUCHE	ROHR D-8 L.225 DAMPF LINKS
34	4652000705	TUBO D-8 L.115	TUBE D-8 L.115	TUYAU D-8 L.115	ROHR D-8 L.115
35	4652000713	TUBO D-8 L.115	TUBE D-8 L.115	TUYAU D-8 L.115	ROHR D-8 L.115
36	4653003	CORPO RUBINETTO CW510L	TAP BODY CW510L	CORPS DE ROBINET CW510L	HAHNKORPER CW510L
37	25384	DADO OTTONE M26x1.5	BRASS NUT 26X1,5	ECROU LAITON 26X1.5	MESSING-MUTTER 26X1.5
38	12158	GUARNIZIONE 26x20.5x2	GASKET 26x20.5x2	JOINT 26x20.5x2	DICHTUNG 26x20.5x2

Pos	Code	Denominazione - IT -	Denomination - EN -	Denomination - FR -	Denomination - DE -
39	46561001	ASSIEME RUBINETTO ACQUA/VAPORE CW510L	WATER/STEAM TAP UNIT	ENSEMBLE ROBINET EAU/VAPEUR	WASSER/DAMPF ROHRSATZ
40	23029	DADO INOX M3 UNI 5587 A2	STEEL NUT M3	ECROU INOX M3	STHAL MUTTER M3
41	12203	GUARNIZIONE HNBR 15x4x4	RUBBER GASKET 15x4x4	JOINT EN CAOUTCHOUC 15X4X4	GUMMIDICHTUNG 15x4x4
42	4625616	PISTONCINO RUBINETTO	TAP JUMPER	PISTON ROBINET	HAHNKOLBEN
43	25655052	DISCHETTO ASTA RUBINETTO	DISKETTE TAP ROS	DISQUETTE TIGE ROBINET	DISKETTE
44	4625309	ASTA RUBINETTO CROMATA	CHROMED TAP SHAFT	TIGE ROBINET CHROME	HAHNSTANGE CHROM
45	10001	ANELLO ARRESTO D6 INOX	STEEL CIRCLIP	CIRCLIP INOX	STAHLHALTENRING
46	4625461	GHIERA RUBINETTO CW510L	TAP RING NUT CW510L	EMBOUT ROBINET CW510L	HAHNZWINGE CW510L
47	4625678001	RACCORDO RUBINETTO CW510L	TAP FITTING CW510L	RACCORD ROBINET CW510L	HAHNANSCHLUSSTUCK CW510L
48	12204	GUARNIZIONE GOMMA RUBINETTO 12.5x7.5x9	TAP RUBBER GASKET 12.5x7.5x9	JOINT CAOUTCHOUC ROB. 12.5X7.5X9	HAHNDICHTUNG 12.5x7.5x9
49	4625655	RONDELLA RUBINETTO CW510L	TAP WASHER	RONDELLE ROBINET	HAHNSCHEIBE
50	10465001	MOLLA De 11,4 Df1,7 AISI 302	STEAM SPRING S.STEEL	RESSORT AISI	DAMPF HAHNFEDEN STAHL
51	4625385001	DADO PREMISTOPPA RUBINETTO CW510L	TAP STUFFING NUT	ECROU DE PRESSE-ETOUPE ROBINET	STOPFBUCHSE MUTTER - HAHN
52	15278008	MANOPOLA ACQUA/VAPORE	WATER/STEAM TAP KNOB	POIGNEE ROBINET EAU/VAPEUR	WASSER-DAMPFHAHNGRIFF
53	10500	ORLI SOTTOVITE OT/NI BN569 M3.5/M4	NICKLE/BRASS WASHER	BORD SOUS-VIS LAITON NICKELE	MESSING/NICKEL SCHEIBE
54	23451	VITE TGS INOX M4x20	SCREW TGS M4x20	VIS TGS M4x20	STAHLSCHRAUBE TGS M4x20
55	29030002	DISCO MANOPOLA ACQUA	WATER HANDLE PLATE	DISQUE POUR POIGNEE EAU	SCHEIBE FUR WASSERHANDGRIFF
56	29031002	DISCO MANOPOLA VAPORE	STEAM HANDLE PLATE	DISQUE POUR POIGNEE VAPEUR	SCHEIBE FUR DEAMPFHANDGRIFF
57	25356	CONTRODADO OTTONE 3/8	BRASS LOCK NUT 3/8	CONTRE-ECROU LAITON 3/8	MESSING-GEGENMUTTER 3/8
58	25651	RONDELLA OTTONE 3/8	BRASS WASHER 3/8	RONDELLE LAITON 3/8	MESSINGSCHEIBE 3/8
59	4625736008	RACCORDO 3/8 CANNA H20/VAPORE CW510L	CONNECTOR 3/8	RACCORD 3/8	ANSCHLUSS 3/8
60	25654	RONDELLA OTTONE 3/8 CROMATA	CHROME PLATED/BRASS WASHER 3/8	RONDELLE LAITON 3/8 CHROMEE	CHROM/MESSING SCHEIBE 3/8
61	4625657	RONDELLA MOLLA VAPORE CW510L	STEAM SPRING WASHER	RONDELLE RESSORT VAPEUR	SCHEIBE FUR DAMPFEDER
62	12300	GUARNIZIONE OR 113 NBR/70	O RING GASKET 113 NBR/70	JOINT OR 113 NBR/70	OR-DICHTUNG 113 NBR/70
63	12010	GUARNIZIONE TEFLON ACQUA/VAPORE 20x17x2	PIPE GASKET TEFLON 20x17x2	JOINT TUYAU TEFLON EAU/VAP TEFLON 20x17x2	TEFLON-DICHTUNG WASSER/VAP 20x17x2
64	25763115	TUBO H2O INOX D.8	PIPE H2O S.STEEL D.8	TUYAU H2O INOX D.8	ROHR H2O STAHL D.8
65	25763059	TUBO VAPORE L.260	TUBE STEAM L.260	TUYAU VAPEUR L.260	ROHR DAMPF L.260
66	15296000	GOMMINO ANTISCOTTATURA D-8	ANTI-BURNING RUBBER D-8	ELEMENT ANTI-BRULURE D-8	GUMMI GEGEN VERBRENNUNGEN F. D-8
67	25763080	SPRUZZATORE VAPORE 4 FORI TUBO D.8	STEEL STEAM SPRAYER	VAPORISATEUR INOX	STAHLDAMPFER
68	4630250	SPRUZZATORE ESTERNO ACQUA CW510L/Cr	EXTERNAL SPRAYER WATER	PULVERISATEUR EXTERNE EAU	AUSSENSPRITZDUSE WASSER
69	4625761	SPRUZZATORE INTERNO ACQUA CW510L	INTERNAL SPRAY WATER	PULVERISATEUR INT. EAU	WASSER INNENSPRITZDUSE
70	4652000504	TUBO D-10 L.390	TUBE D-10 L.390	TUYAU D-10 L.390	ROHR D-10 L.390
71	22838	CABLAGGIO A.E.A. 1GR ER+JUN*UL+C.S.A*	CABLE A.W.R. 1GR + JUN *U.L*	CABLAGE R.E.A. 1 GR + JUN *U.L*	KABEL A.W.F. 1 GR + JUN *U.L*
72	22839	CABLAGGIO A.E.A. 2/3GR ER *UL+C.S.A*	CABLE A.W.R. 2GR *U.L*	CABLAGE R.E.A. 2GR *U.L*	KABEL A.W.F. 2GR *U.L*
73	77691F	PROTEZIONE CENTRALINA RL30	RL30 GEARCASE PROTECTION	PROTECTION RL30	SCHUTZGITTER RL30
74	18081001	REGOLATORE LIVELLO RL30 120V	LEVEL CONTROL RL30 120V	CONTROLE NIVEAU RL30 120V	WASSERNIVEAUREGLER RL30 120V
75	22625	CAVO 1/2GR RL30/TIMEOUT CON LED	1/2 CABLE TIMEOUT UNIT WITH LED	CABLE 1/2 GR. RL30/TIMEOUT LED	KABEL 1/2GR. RL30/TIMEOUT MIT LED
76	4652002700	TUBO D-10 L.185	TUBE D-10 L.185	TUYAU D-10 L.185	ROHR D-10 L.185

Pos	Code	Denominazione - IT -	Denomination - EN -	Denomination - FR -	Denomination - DE -
77	4652001035	TUBO D-10 L.190	TUBE D-10 L.190	TUYAU D-10 L.190	ROHR D-10 L.190
78	44002	COPRILIVELLO VERNICIATO BIANCO	LEVEL INDICATOR COVER PAINTED WHITE	COUVRE-NIVEAU LAQUE BLANC	NIVEAUDECKEL
79	4653002	CORPO LIVELLO SUPERIORE	UPPER LEVEL BODY	CORPS DE NIVEAU SUPERIEUR	OBERNIVEAUKORPER
80	4656005	CORPO LIVELLO INFERIORE	LOWER LEVEL BODY UNIT	ENSEMBLE CORPS DE NIVEAU INFERIEUR	UNTER NIVEAUKORPER
81	56001	ASSIEME TUBO LIVELLO	LEVEL TUBE UNIT	ENSEMBLE TUBE DE NIVEAU	ROHRSATZ FUR NIVEAU
82	12200	GUARNIZIONE 16x10x8	GASKET 16X10X8	JOINT 16X10X8	DICHTUNG 16x10x8
83	25652	RONDELLA OTTONE D17.8	BRASS WASHER D.17.8	RONDELLE LAITON D.17.8	MESSING-SCHEIBE D.17.8
84	25383	DADO OTTONE M20x1.5	BRASS NUT 20X1.5	ECROU LAITON 20X1.5	MESSING-MUTTER 20x1.5
85	21300	TUBO VETRO LIVELLO 11x8x170	GLASS LEVEL TUBE 11X8X170	TUBE NIVEAU EN VERRE 11X8X170	NIVEAU GLASROHR 11x8x170
86	46257396	RACCORDO SCARICO CALDAIA ASSIEMATO CW510L	FITTING	RACCORD	ANSCHLUSS
87	15477013	TUBO SILICONE 6x9	TUBE SILICONE 6x9	TUYAU SILICONE 6x9	ROHR SILIKON 6x9
88	15502	VASCHETTA SCARICO ROTONDA D 80	ROUND DRAIN BASIN D.80mm	CUVE A VIDANGER RONDE D.80mm	RUNDE ABFLUSSCHALE D.80mm
89	4652000708	TUBO D-6 L.225	TUBE D-6 L.225	TUYAU D-6 L.225	ROHR D-6 L.225
90	4625707	RACCORDO 1/8x1/4 CW510L	CONNECTOR 1/8x1/4 CW510L	RACCORD 1/8x1/4 CW510L	ANSCHLUSS 1/8x1/4 CW510L
91	4723229103	RACCORDO 1/8-1/8	CONNECTOR 1/8-1/8	RACCORD 1/8-1/8	ANSCHLUSS 1/8-1/8
92	4625707004	RACCORDO DRITTO 1/8x1/4	STRAIGHT CONNECTOR 1/8-1/4	RACCORD 1/8-1/4	ANSCHLUSS 1/8-1/4
93	4618195	EL.AEA 110-120V/50-60Hz CW510L	SOL.VALVE WATER REFILL 110/120V 50/60HZ NS	ELECTROVANNE REA 110/120V 50/60Hz NSF	ELEKTROVENTIL AWZ 110/120V 50/60Hz NSF
94	4652000113	TUBO D-8 L.600	TUBE D-8 L.600	TUYAU D-8 L.600	ROHR D-8 L.600
95	4620354001	VALVOLA CHIUSURA L.40	PRESSURE RELEASE TAP BULK UNIT L.40	CLAPET FERMETURE AUT.ARRIVEE EAU	ABSPERRVENTIL x AUT.WASSERZUFUHR L.40
96	4652000108	TUBO D-8 L.105	TUBE D-8 L.105	TUYAU D-8 L.105	ROHR D-8 L.105
97	4656134001	BLOCCETTO POMPA CW510L	UNIT PUMP CW510L	ENSEMBLE POMPE CW510L	PUMPENSATZ CW510L
98	15271	MANOPOLA INTERR.GENERALE BREMAS	MAIN SWITCH HAND GRIP	MANETTE INTERR. GENERAL	HAUPTSCHALTERGRIF
99	29068	ETICHETTA ADESIVA '0-1'NERO PLASTICO 58x58	PLASTIC ADHESIVE PLATE 0-1 58X58	PLAQUETTE ADHESIVE 0-1 58X58	KLEBESCHILD 0-1 58x58
100	4622913	INT.1-2GR 2F 12AWG 18213 UL+NSF372	END FLOAT SWITCH 1-2GR 2P *U.L*	INTERRUPTEUR ASS. 1-2GR *U.L*	SCHALTERSATZ 1-2GR 2PH *U.L*
101	4622916	INT.1-3GR 2F 10AWG 18206	END FLOAT SWITCH 1-3GR 2P UL	INTERRUPTEUR ASS. 1-3GR 2P UL	SCHALTERSATZ 1-3GR 2PH UL
102	20300019	TERMOSTATO UL 160°C	THERMOSTAT UL 160°C	THERMOSTAT UL 160°C	THERMOSTAT UL 160°C
103	22718101	CABLAGGIO PROLUNGA LAMPADINA UL	WIRING FOR LAMP UL	CABLE PROLONGE LAMPE UL	VERDRAHTUNG LAMPE UL
104	21004	LAMPADA SPIA UL 110V	WARNING LIGHT UL 110V	LAMPE TEMOIN UL 110V	KONTROLLAMPE UL 110V
105	22717801	CABLAGGIO SDOPPIATORE USCITA UL	CABLE CONNECTION UL	CABLAGE JONCTION UL	VERDRAHTUNG VERBINDUNG UL

Ricambi VAPOR-SI USA

Indice **REVISIONI**

Rev.	Data	Tavola	Descrizione	Disegnato	Controllato	Approvato
00	07/2015	---	Emissione documento	A.Chies	P.Piai	