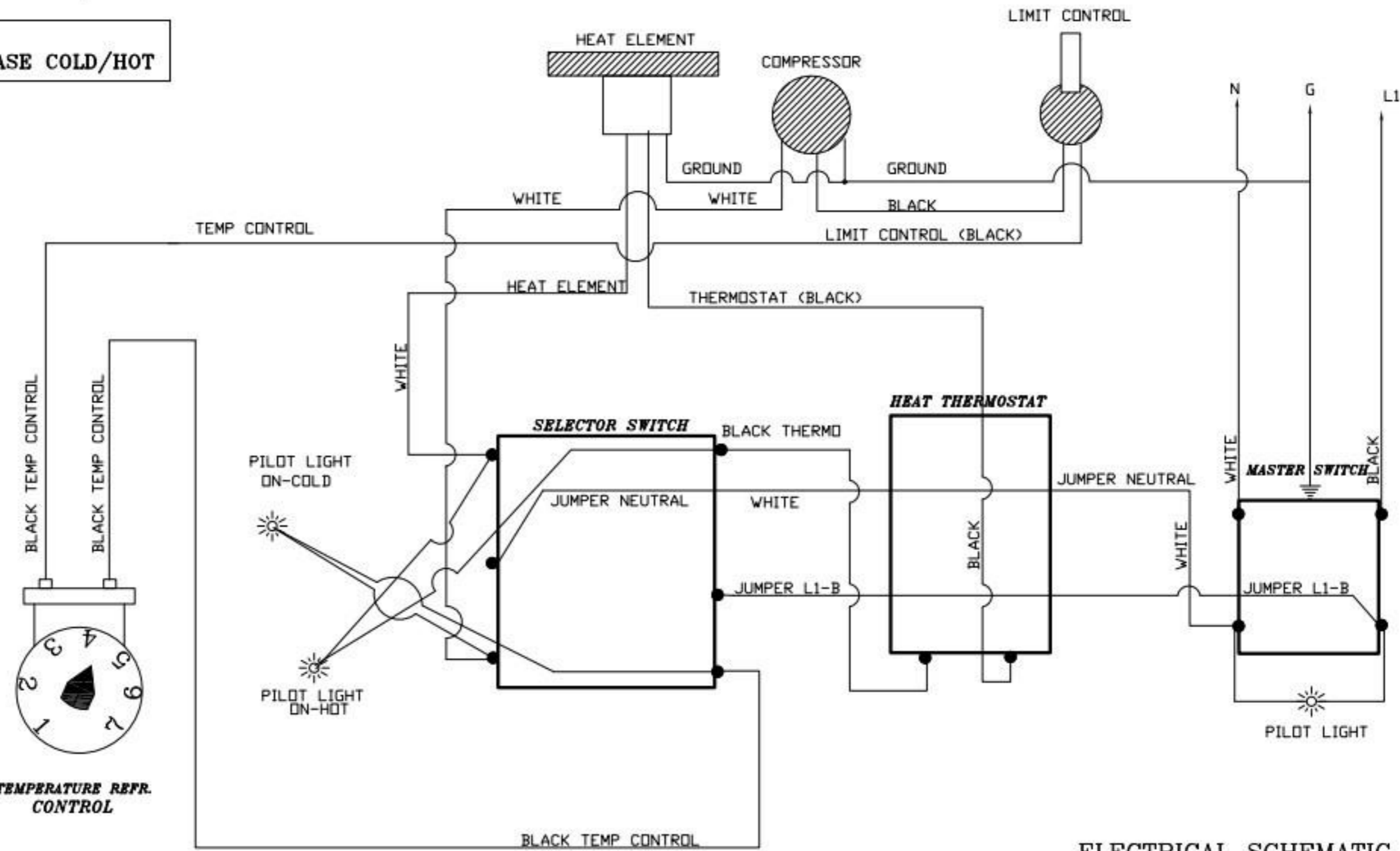


WCM-HP-2/3-----1/5 H.P.

120/120 VOLTS 1 PHASE COLD/HOT



ELECTRICAL SCHEMATIC

These plans are the exclusive property of Atlas Metal Industries Inc. Any unauthorized use without written consent of Atlas Metal Industries Inc., is strictly prohibited.

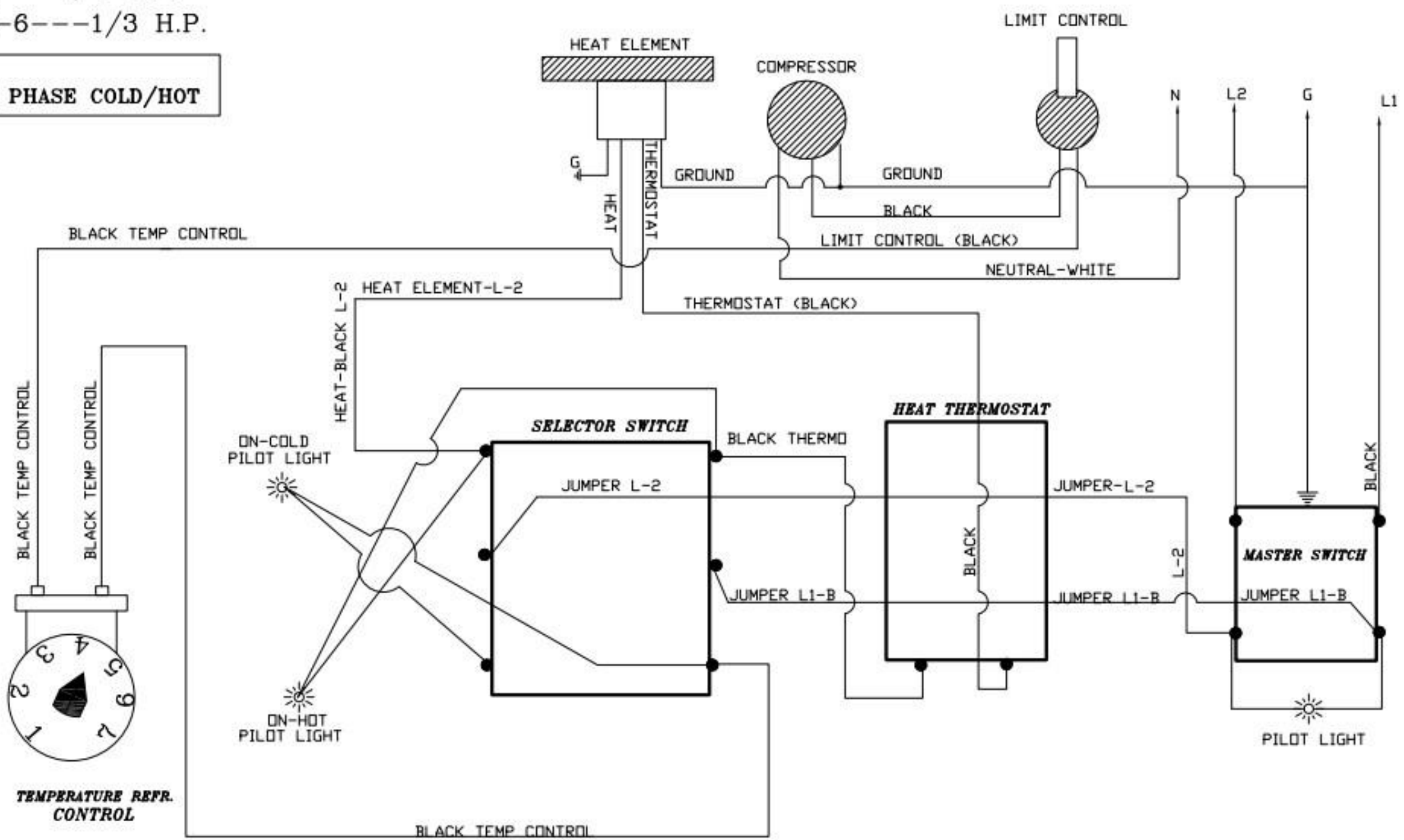
ATLAS METAL INDUSTRIES, INC.
 1135 NW 159TH DRIVE
 MIAMI, FLORIDA 33169

REVISION CHANGES		DATE:
DATE:	DESCRIPTION:	12-1-09
9-2-10	UPDATED MHA (NEW SELECTOR SWITCH)	DRAWN BY: MHA
		CHECKED BY: N.SANZ

WCM-HP 2-3-----120/120V
 DRAWING No.
 WCM-HP-2-3 ELECTRICAL SCHEMATIC
 SCALE 3/4"=1'
 SHEET NO. 1 of 1

WCM-HP-4---1/4 H.P.
 WCM-HP-5-6---1/3 H.P.

120/208/240 VOLTS 1 PHASE COLD/HOT



ELECTRICAL SCHEMATIC

These plans are the exclusive property of Atlas Metal Industries Inc. Any unauthorized use without written consent of Atlas Metal Industries Inc., is strictly prohibited.

ATLAS METAL INDUSTRIES, INC.
 1135 NW 159TH DRIVE
 MIAMI, FLORIDA 33169

REVISION CHANGES	
DATE:	DESCRIPTION:
9-2-10	UPDATED MHA

DATE: 12-1-09
 DRAWN BY: MHA
 CHECKED BY: N.SANZ

WCM-HP 4-5-6--120/208/240V
 DRAWING No. WCM-HP-4-5-6 ELECTRICAL SCHEMATIC
 SCALE 3/4"=1'
 SHEET NO. 1 of 1