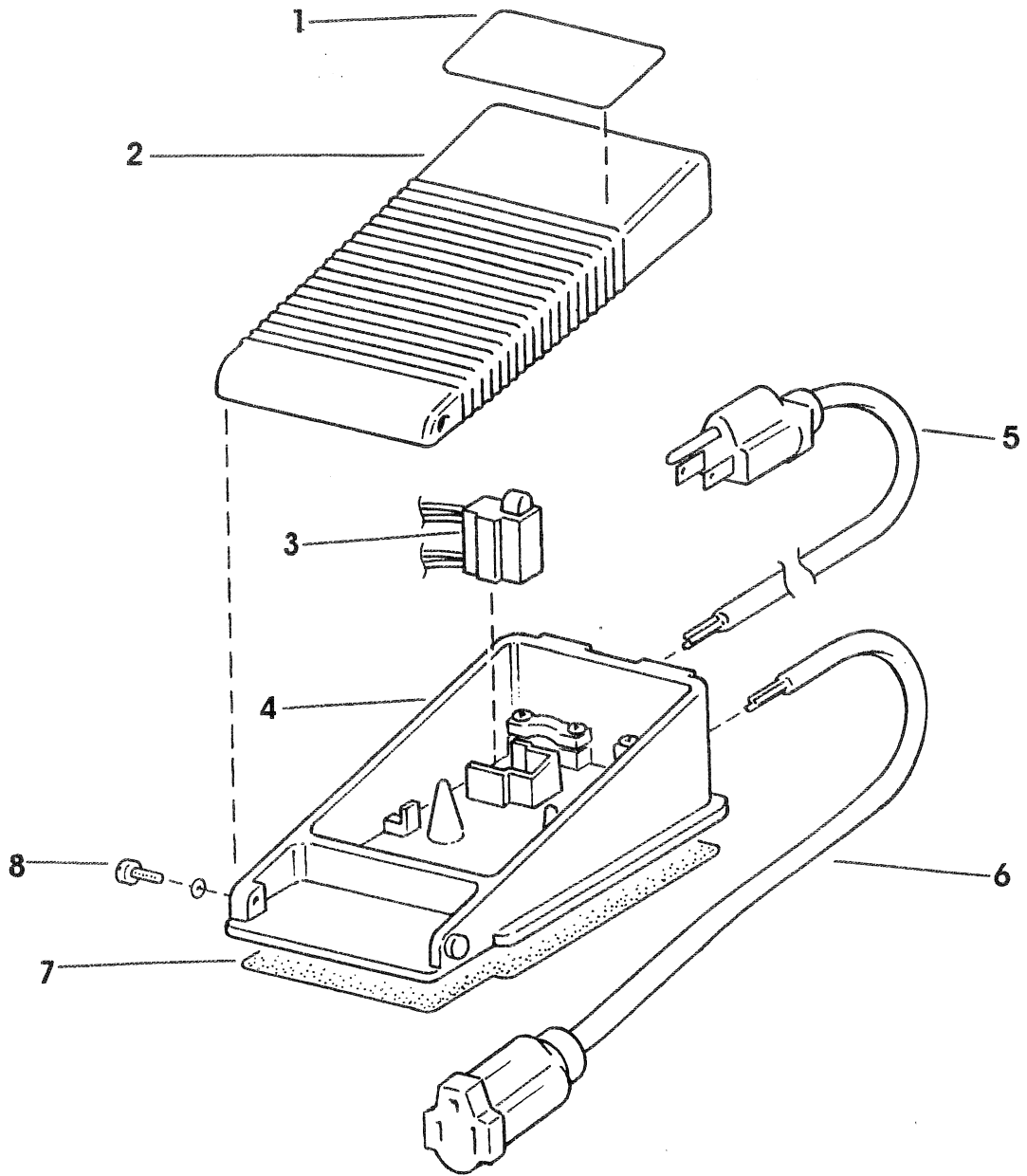


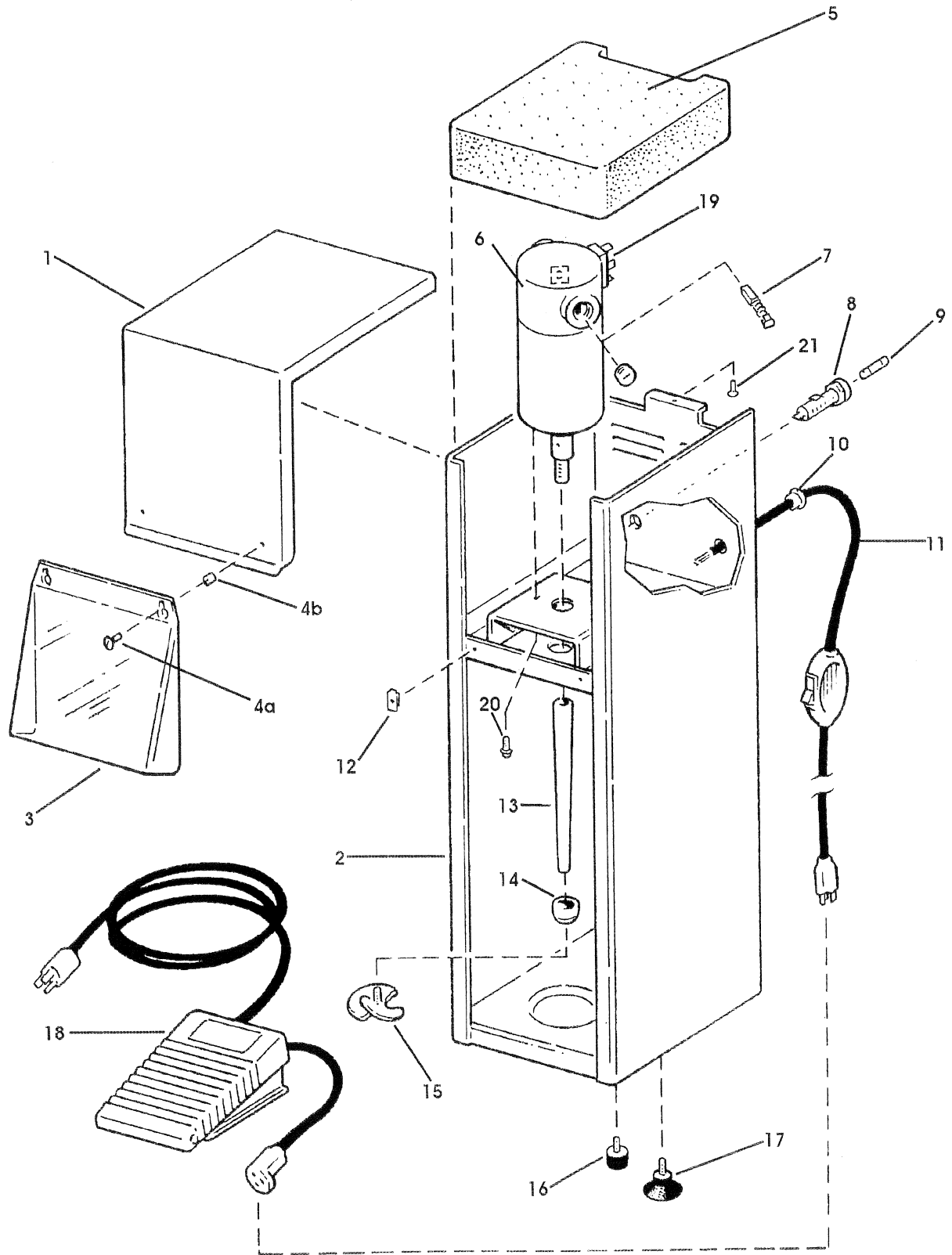
ASTRO BLENDER FOOTSWITCH  
REPLACEMENT PARTS



**ASTRO BLENDER FOOTSWITCH REPLACEMENT PARTS LIST**

| ITEM NO. | PART NO. | NO. REQ'D | DESCRIPTION                   |
|----------|----------|-----------|-------------------------------|
| 1        | A2101L   | 1         | FOOTSWITCH WARNING LABEL      |
| 2        | A2101C   | 1         | FOOTSWITCH COVER              |
| 3        | A2065    | 1         | SOLID STATE MODULE            |
| 4        | A2101B   | 1         | FOOTSWITCH BASE               |
| 5        | A2101CM  | 1         | FOOTSWITCH CORD, MALE         |
| 6        | A2101CF  | 1         | FOOTSWITCH CORD, FEMALE       |
| 7        | A2101BP  | 1         | FOOTSWITCH BASE PAD           |
| 8        | A2101S   | 1         | FOOTSWITCH SCREW W/LOCKWASHER |

# ASTRO BLENDER REPLACEMENT PARTS



## ASTRO BLENDER RELACEMENT PARTS LIST

| ITEM NO. | PART NO. | NO. REQ'D | DESCRIPTION                       |
|----------|----------|-----------|-----------------------------------|
| 1        | A2024    | 1         | STAINLESS STEEL LID               |
| 2        | A2019    | 1         | HOUSING                           |
| 3        | A2034    | 1         | SPLATTER SHIELD                   |
| 4a       | A2041    | 2         | SHIELD SCREW                      |
| 4b       | A2048    | 2         | SHIELD SPACER                     |
| 5        | A2000FB  | 1         | FOAM BLOCK                        |
| 6        | A20--*   | 1         | ASTRO BLENDER MOTOR W/O RECTIFIER |
| 7        | A20--*   | 1 SET     | BRUSH SET (2)                     |
| 8        | A2009    | 1         | FUSE HOLDER                       |
| 9        | A2072    | 1         | AGC5 AMP FUSE                     |
| 10       | A2036    | 1         | STRAIN RELIEF                     |
| 11       | A2012    | 1         | 8' ELECTRICAL CORD WITH SWITCH    |
| 12       | A2039    | 2         | TINNERMAN NUT                     |
| 13       | A2015G*  | 1         | STAINLESS STEEL SHAFT             |
| 14       | A2006G*  | 1         | DELTRIN COLLAR*                   |
|          | A2006    | 1         | DELTRIN COLLAR*                   |
| 15       | A2008    | 1         | STAINLESS STEEL MIXING HEAD       |
| 16       | A2014    | 4         | RUBBER BUMPER PAD                 |
| 17       | A2016    | 2         | SUCTION CUP                       |
| 18       | A2101    | 1         | FOOTSWITCH ASSEMBLY               |
| 19       | A2073    | 1         | RECTIFIER, FULL WAVE BRIDGE       |
| 20       | A2076    | 2         | MOTOR MOUNT SCREW                 |
| 21       | A2038    | 1         | LID HOLDDOWN/GROUND SCREW         |

\* Please contact CRC, with the unit Serial Number, to obtain the proper replacement parts.