



REPLACEMENT PARTS CATALOG

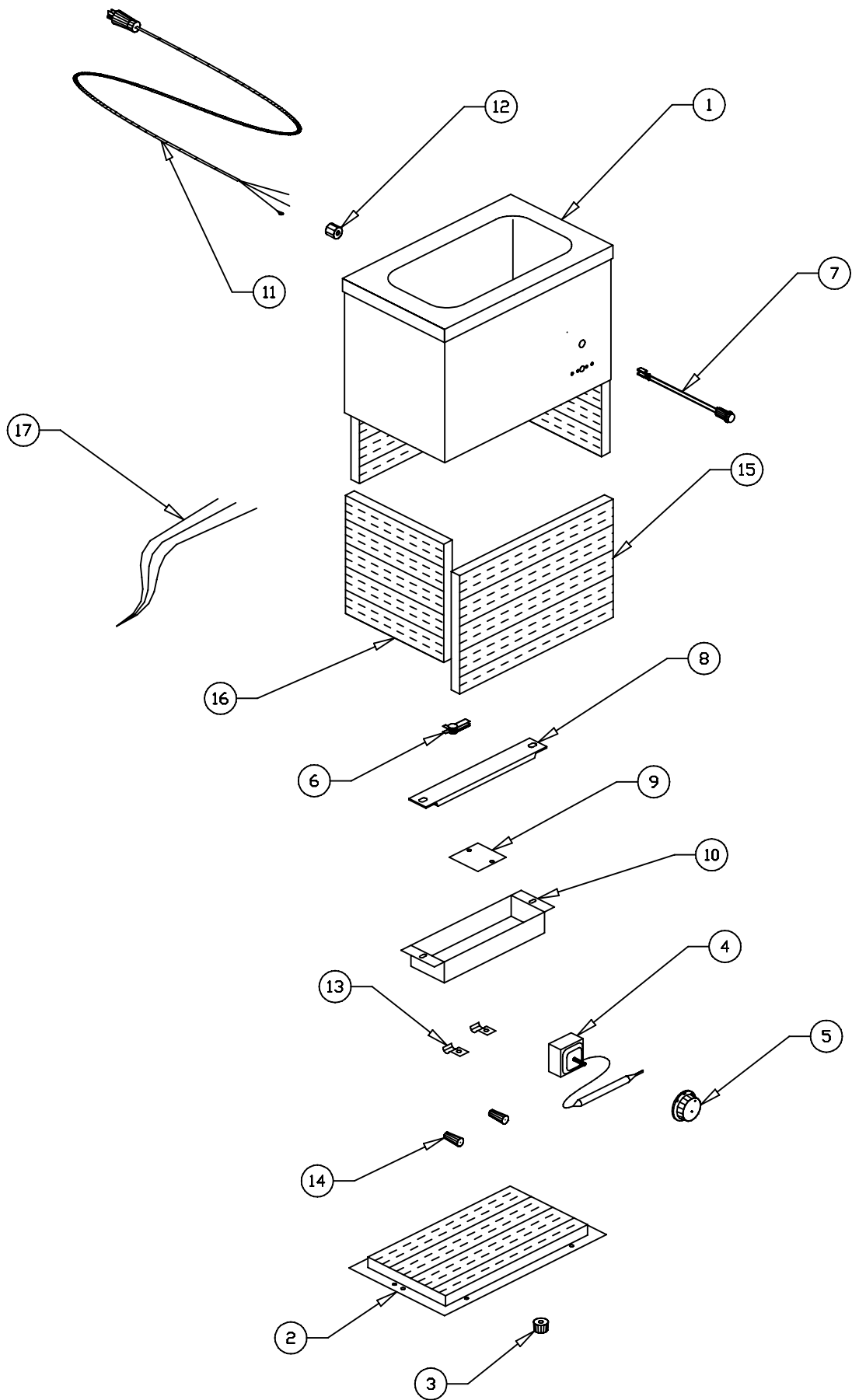
W-9
COUNTERTOP WARMER

W-9 56914 - 120V/400W

APW / WYOTT
FOOD SERVICE EQUIPMENT CO.
DALLAS, TX 75226

W-9 COUNTERTOP WARMER

ITEM NUMBER	STOCK NUMBER	DESCRIPTION
1	56973	PAN & WRAPPER ASSEMBLY
2	56978	BOTTOM COVER
3	55768	FOOT
4	60320	THERMOSTAT
5	56528	KNOB
6	69107	LIMITING THERMOSTAT
7	56530	INDICATOR LIGHT
8	72536	ELEMENT STRIP/120V-400W
9	72557	ELEMENT CLAMP
10	56989	ELEMENT COVER
11	55947	CORD
12	89101	STRAIN RELIEF BUSHING
13	89120	JIFFY CLIP
14	75490	WIRE CONNECTOR
15	56956	INSULATION (FRONT & BACK)
16	56980	INSULATION (SIDES)
17	56984	WIRE SET
	89054	#6-32 KEPS NUT
	88961	10-24 GREEN HEX NUT
	89061	10-24 HEX NUT
	89059	#10 EXTERNAL LOCKWASHER
	89071	#10 FLAT WASHER
	89065	10-24 JAM NUT
	89073	#8 x 1/2 HEX SHEET METAL SCREW



W-9 WIRING DIAGRAM

AMERICAN PERMANENT WARE, INC.
729 THIRD AVENUE
DALLAS, TX. 75226

