



**REPLACEMENT PARTS CATALOG**

**W-3**

**COUNTERTOP WARMER**

**W-3 55812 - 120V**

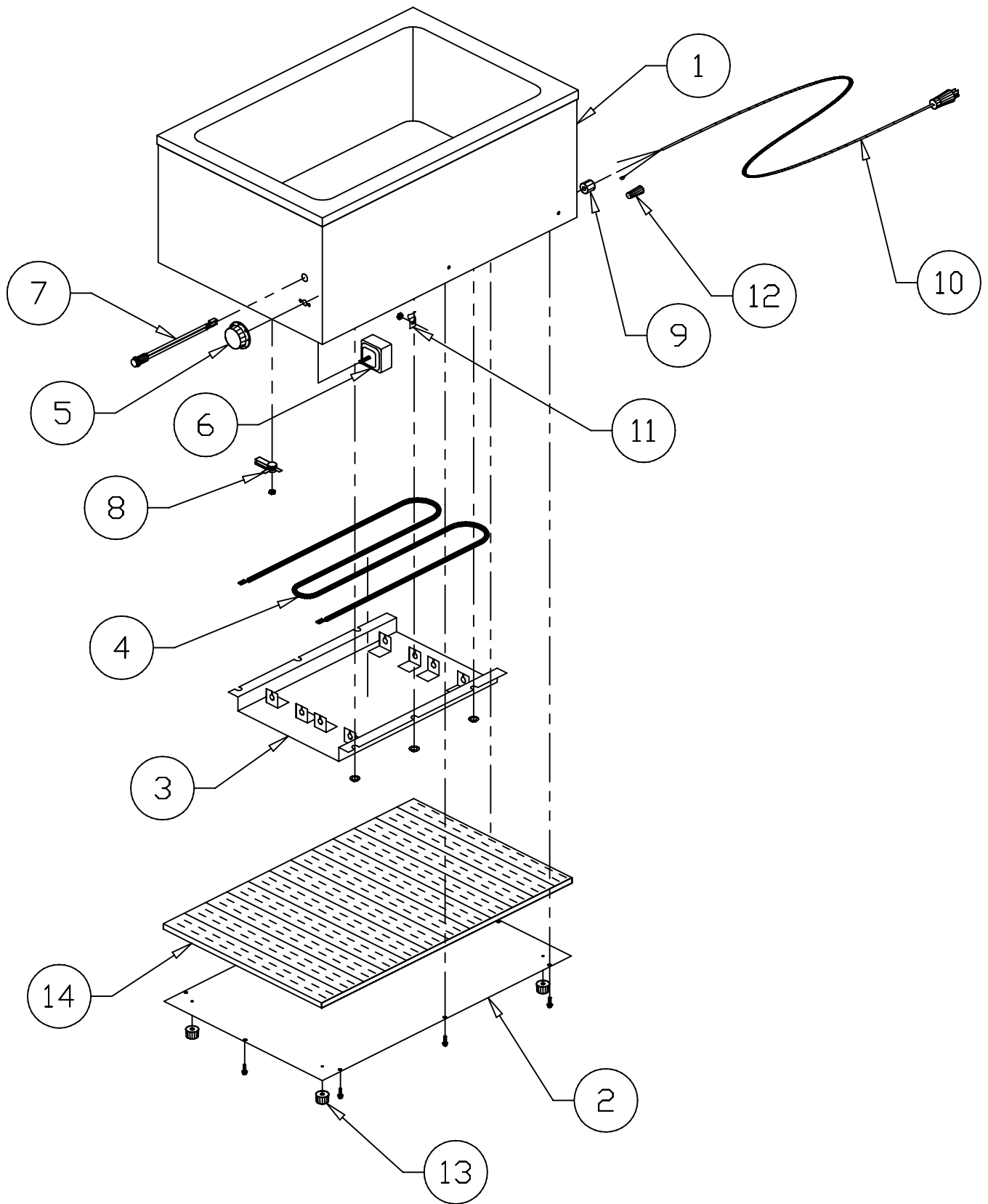
**APW / Wyott**  
FOOD SERVICE EQUIPMENT CO.  
DALLAS, TX 75226

Part No. 67107 – Rev 3/2000

**W-3 WARMER**

| <b>ITEM<br/>NUMBER</b> | <b>STOCK<br/>NUMBER</b> | <b>DESCRIPTION</b>         |
|------------------------|-------------------------|----------------------------|
| 1                      | 55972                   | PAN AND WRAPPER ASSEMBLY   |
| 2                      | 55895                   | BOTTOM COVER               |
| 3                      | 56506                   | REFLECTOR PLATE            |
| 4                      | 55446                   | ELEMENT 120V-1200W         |
| 5                      | 55817                   | KNOB, TSTAT                |
| 6                      | 55564                   | INFINITE CONTROL           |
| 7                      | 56530                   | INDICATOR LIGHT            |
| 8                      | 69106                   | LIMITING THERMOSTAT        |
| 9                      | 89101                   | STRAIN RELIEF BUSHING      |
| 10                     | 55947                   | POWER CORD                 |
| 11                     | 89120                   | JIFFY CLIP                 |
| 12                     | 89475                   | SET SCREW WIRE NUT         |
| 13                     | 55768                   | RUBBER FOOT                |
| 14                     | 54817                   | INSULATION                 |
|                        | 89054                   | 6-32 KEPS NUT              |
|                        | 89073                   | #8 x 1/2 SHEET METAL SCREW |
|                        | 88961                   | 10-24 GREEN HEX NUT        |
|                        | 89025                   | 10-24 SPEED NUT            |
|                        | 89061                   | 10-24 HEX NUT              |
|                        | 89059                   | #10 EXTERNAL LOCKWASHER    |

**FOR UNITS SERIAL NUMBER 9010001  
AND ABOVE**



# W3'S WIRING DIAGRAM

AMERICAN PERMANENT WARE, INC.  
729 THIRD AVENUE  
DALLAS, TX. 75226

