



REPLACEMENT PARTS CATALOG

W-1

COUNTERTOP WARMER

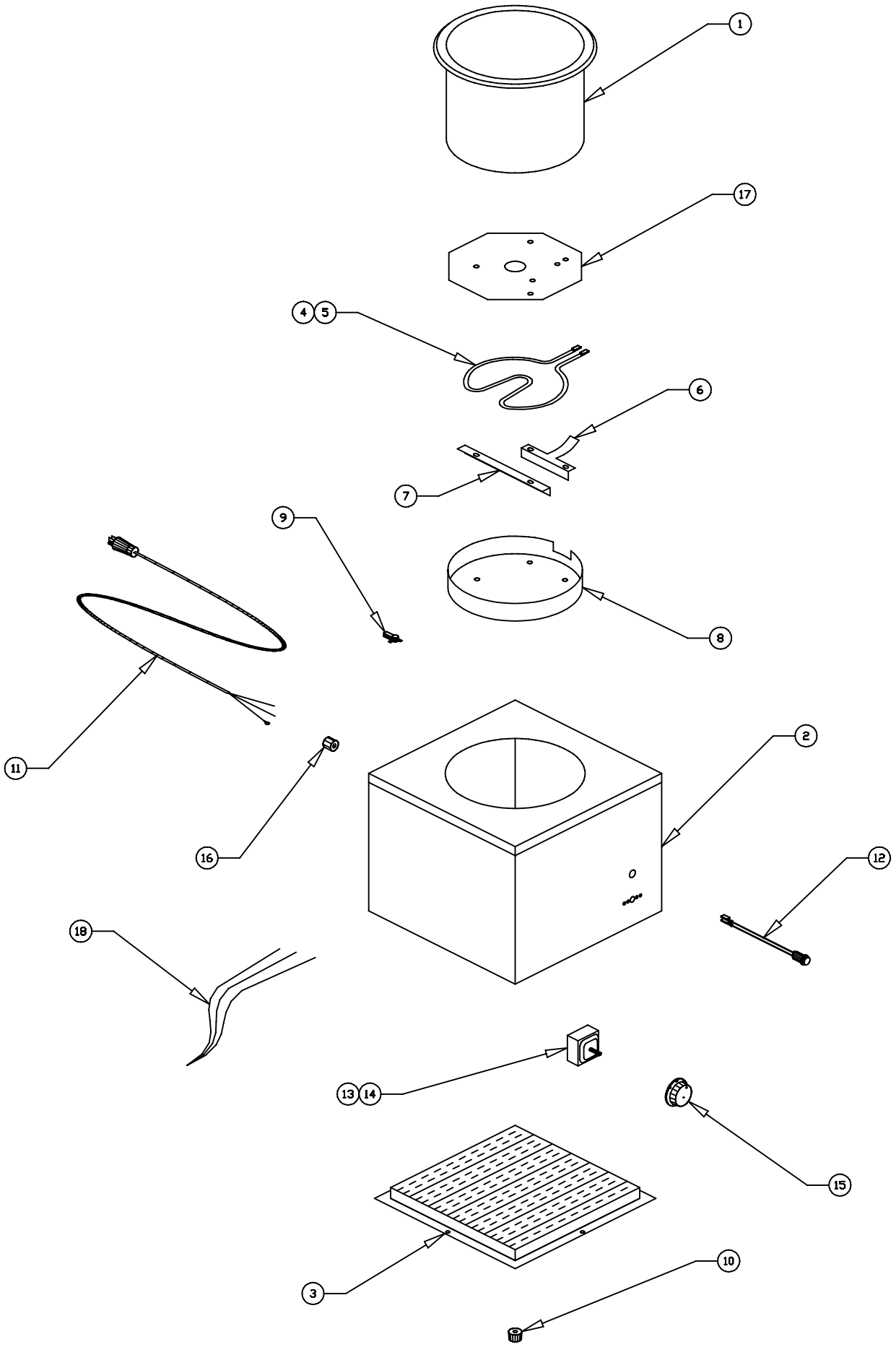
W-1 55810 - 120V/ 500W

W-1 55821 - 240V / 660W

APW /WYOTT
FOOD SERVICE EQUIPMENT CO.
DALLAS, TX 75226

W-1 COUNTERTOP WARMER

ITEM NUMBER	STOCK NUMBER	DESCRIPTION
1	55939	WELL PAN
2	55763	WRAPPER ASSEMBLY
3	55691	BOTTOM COVER
4	55959	HEATING ELEMENT
4	55964	HEATING ELEMENT/240V-660W
5	55696	ANTI-ROTATION CLAMP
6	55695	ELEMENT CLAMP
7	55989	ELEMENT COVER
8	69106	LIMITING THERMOSTAT
9	55768	FOOT
10	55947	CORD
11	56530	INDICATOR LIGHT
12	55564	INFINITE CONTROL
13	55817	KNOB
14	89101	STRAIN RELIEF BUSHING
15	50817	HEAT TRANSFER PLATE
16	55764	WIRE SET
	88961	10-24 GREEN HEX NUT
	89054	6-32 KEPS NUT
	89061	10-24 HEX NUT
	89073	#8 x 1/2 HEX SHEET METAL SCREW
	89087	8-32 x 3/16 BINDING MACHINE SCREW
	89025	10-24 SPEED NUT
	89059	#10 EXTERNAL LOCKWASHER



W-1 WIRING DIAGRAM

AMERICAN PERMANENT WARE, INC.
729 THIRD AVENUE
DALLAS, TX. 75226

