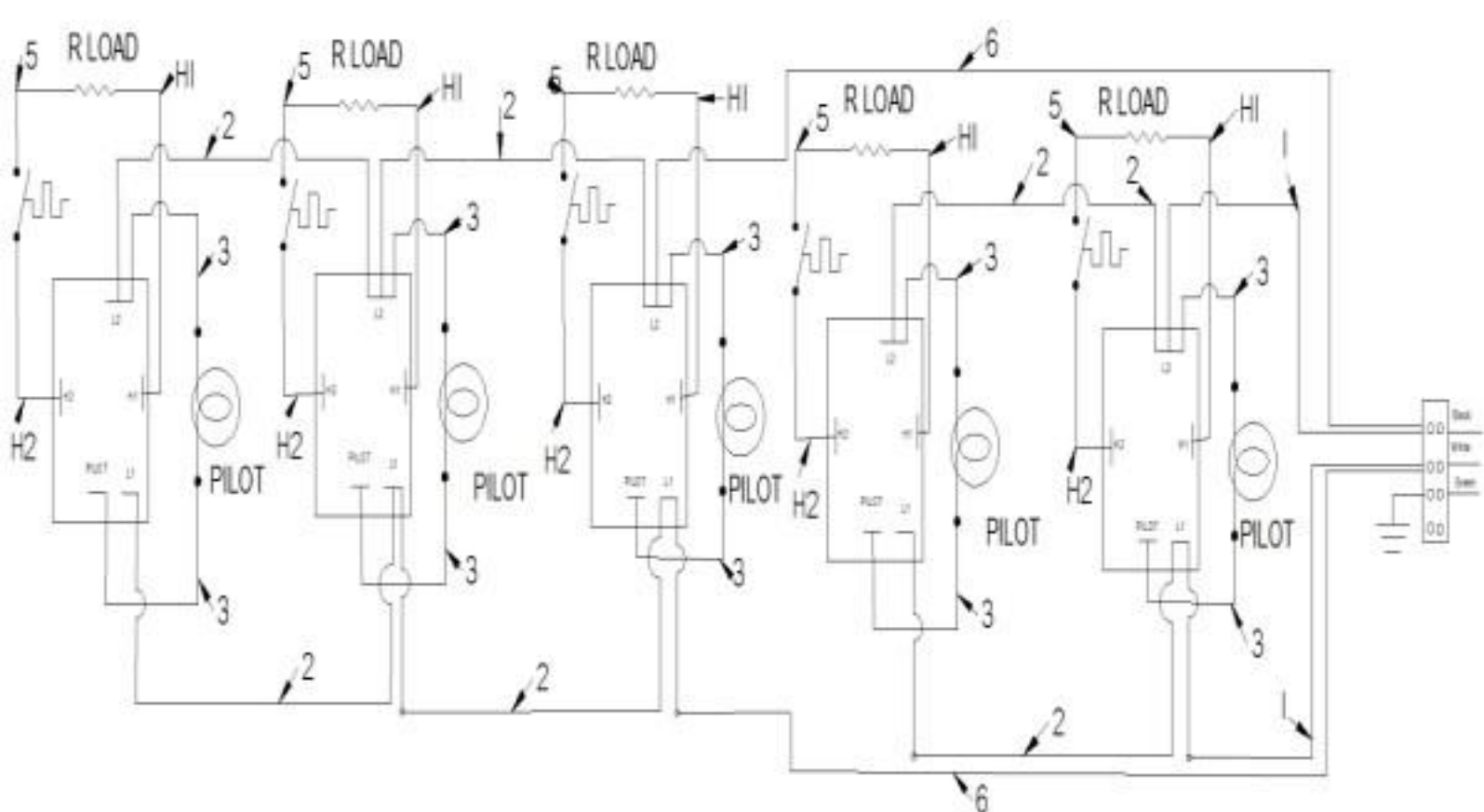
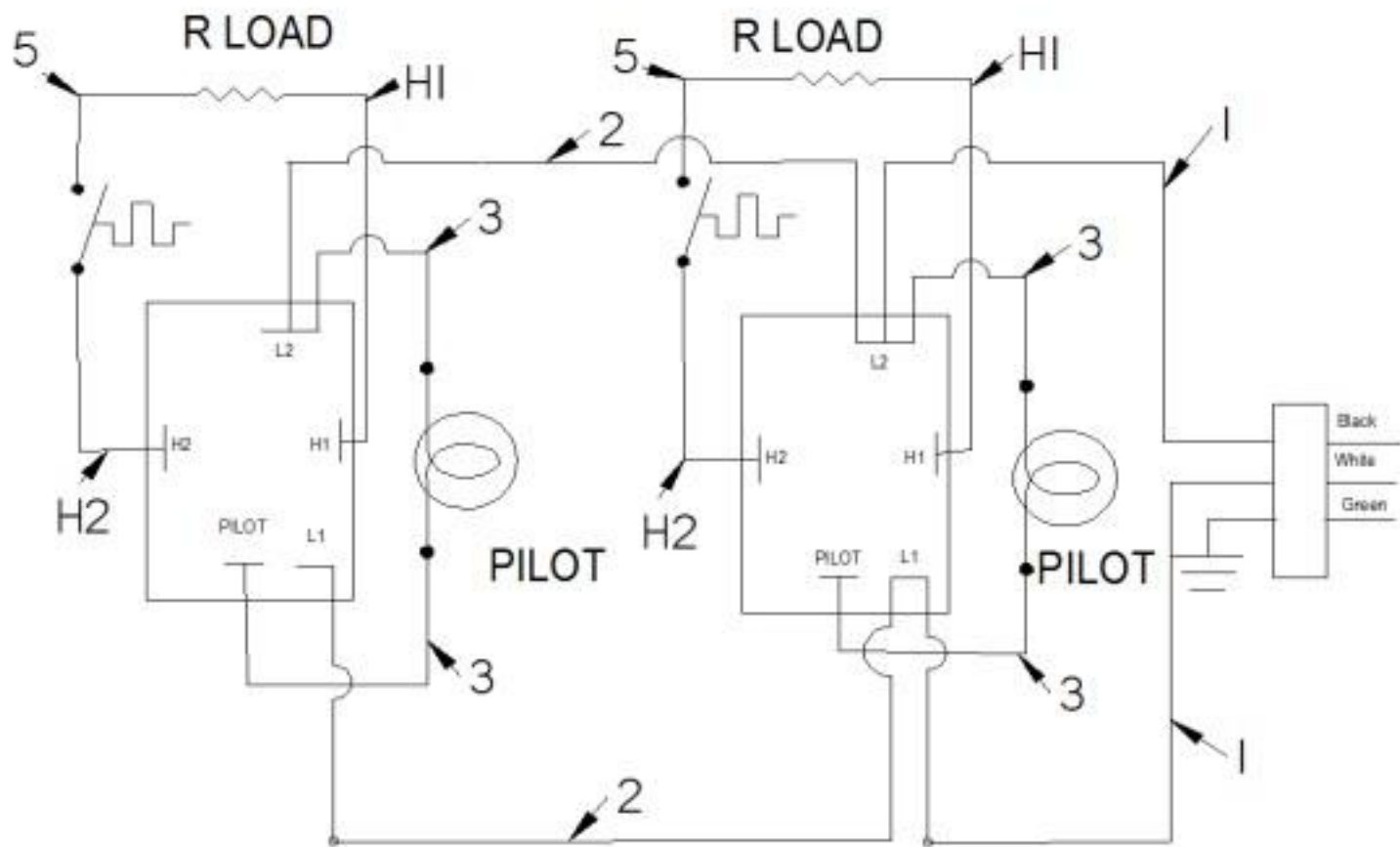


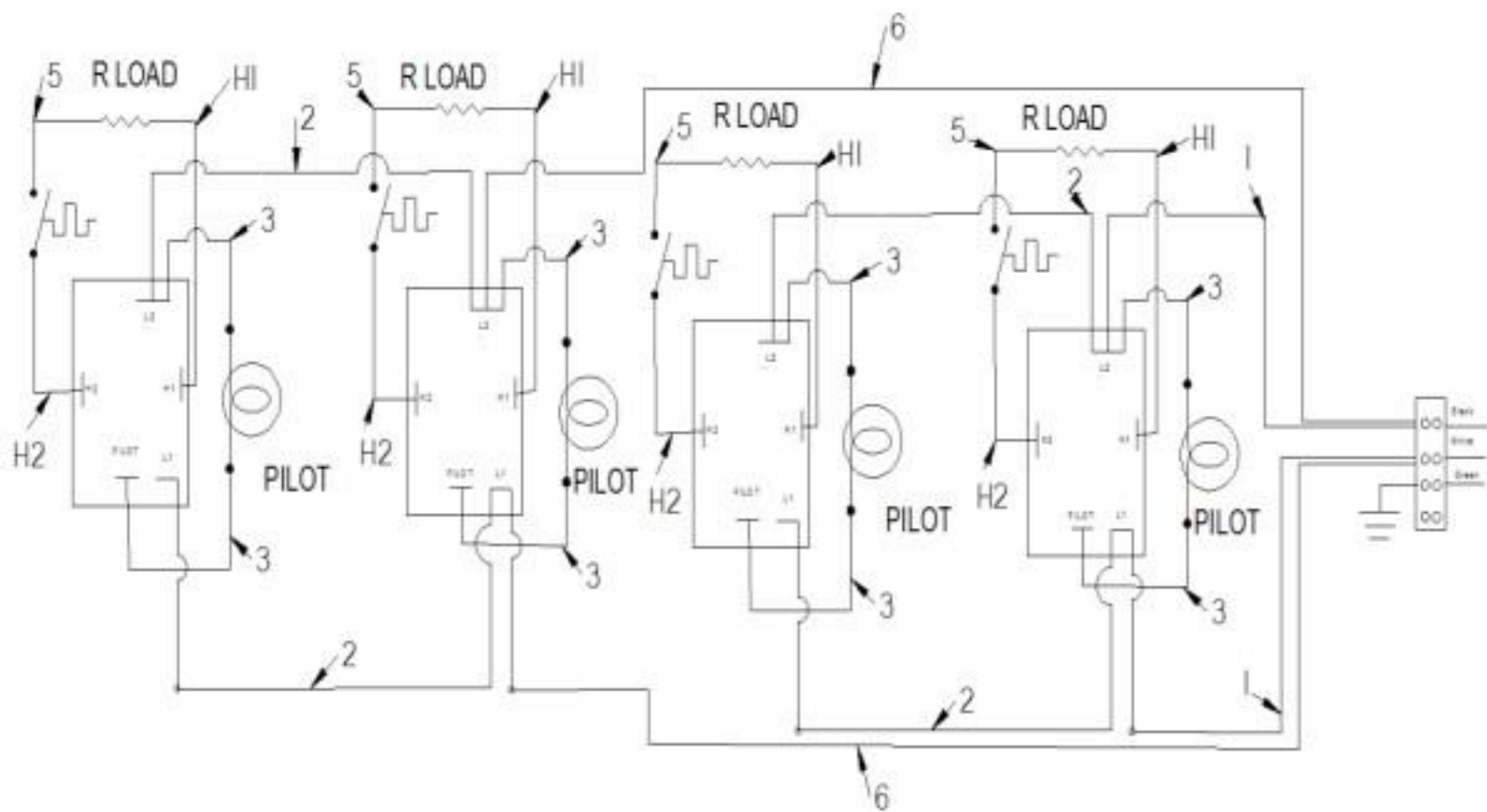
FOUR WELL SINGLE PHASE
ST



FIVE WELL SINGLE PHASE
SST



TWO WELL SINGLE PHASE
SST



FOUR WELL SINGLE PHASE
SST