

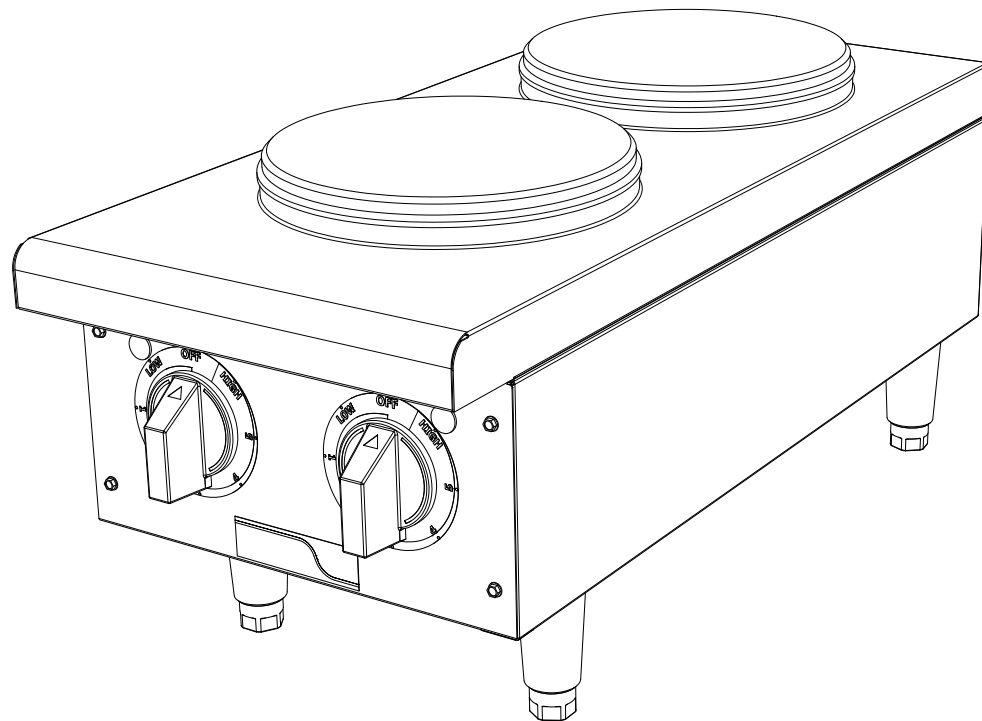


ELECTRIC HOTPLATES

MODEL
SEHPS

Installation and Operation Instructions

2M-Z23814 Rev. A (12-21)



SAFETY SYMBOLS



These symbols are intended to alert the user to the presence of important operating and maintenance instructions in the manual accompanying the appliance.



RETAIN THIS MANUAL FOR FUTURE REFERENCE NOTICE

Using any part other than genuine APW Wyott factory supplied parts relieves the manufacturer of all liability.

APW Wyott reserves the right to change specifications and product design without notice. Such revisions do not entitle the buyer to corresponding changes, improvements, additions or replacements for previously purchased equipment.

Due to periodic changes in designs, methods, procedures, policies and regulations, the specifications contained in this sheet are subject to change without notice. While APW Wyott exercises good faith efforts to provide information that is accurate, we are not responsible for errors or omissions in information provided or conclusions reached as a result of using the specifications. By using the information provided, the user assumes all risks in connection with such use.

MAINTENANCE AND REPAIRS

Contact your local authorized service agent for service or required maintenance.

Please record the model number, serial number, voltage and purchase date in the area below and have it ready when you call to ensure a faster service.

Model No. _____

Serial No. _____

Voltage _____

Purchase Date _____

Authorized Service Agent Listing

Reference the listing provided with the unit
or
for an updated listing go to:

Website: www.apwwyott.com
E-mail TechService@Partstown.com
Telephone: (800) 527-2100

The Service Help Desk

Business Hours: 8:00 am to 4:30 p.m. Central Standard Time

Telephone: (800) 527-2100

E-mail TechService@Partstown.com

Website: www.apwwyott.com

Mailing Address: APW Wyott
265 Hobson St
Smithville, TN 37166
U.S.A

GENERAL OPERATING INSTRUCTIONS



CAUTION

This equipment is designed and sold for commercial use only by personnel trained and experienced in its operation and is not sold for consumer use in and around the home nor for use directly by the general public in food service locations. For equipment to be used by the general public, please contact the factory.

The APW Wyott models SEHPS Electric Hot Plates are equipped for the voltage indicated on the nameplate mounted on the front panel. This unit is designed to operate on alternating current (A.C.), two wire single phase service only. **DO NOT CONNECT TO DIRECT CURRENT (D.C.).**

Total Connected Load:

SEHPS: at 240 Volts, Wattage is 5,200
at 208 Volts, Wattage is 3,900

INSTALLATION

For your protection, we recommend that a qualified electrician install this appliance. The electrician should be familiar with electrical installations and your local electrical requirements. The external wiring should be in conduit or an approved type of flexible cable and of suitable size to carry the load. The supply circuit should be properly fused and equipped with a means of disconnecting as required by local electrical code. The body of the hot plate should be grounded (Do not ground to a gas supply pipe). The connections are made in this unit at the pigtail leads located in the junction box on the back of the unit. To gain access to the pigtail leads remove cover on junction box.

LOCATE THE UNIT

Do not install the unit closer than 1 inch from a side wall and/or closer than 1 inch from a rear wall.

LEVELING UNIT

Level unit by adjusting the (4) feet for accurate and perfect line up with other APW Wyott series units.



CAUTION

DO NOT INSTALL WITHOUT FEET.



CAUTION

USE ONLY FLAT BOTTOM PANS AND POTS! DO NOT USE RAISED BOTTOM UTENSILS OR BUCKETS! GOOD HEAT TRANSFER DEPENDS UPON GOOD CONTACT BETWEEN THE ELEMENT AND POT.

NOTE: Using a 12" diameter or larger pan/pot may cause damage to the element or internal wiring. Such damages are not covered by warranty. Two (2) heating elements are used. For the SEHPS each element draws 2,600 Watts on 240 Volts and 1,950 Watts on 208 Volts. The right control knob controls the rear cooking element and the left control knob controls the front cooking element. On "HI" the element delivers uninterrupted full heat. Between "LO" and "5" any desired amount of heat can be obtained between 6% and 60% of full heat.

Signal lights are provided above the control knobs to give a visual check if either one or both heating units are turned on.

CLEANING

The exterior surfaces can be kept clean and attractive by regularly wiping with a clean soft cloth. Any discoloration can be removed with a non-abrasive cleaner.

For model SEHPS, the heating elements may be raised for access to the drip pans, which may be removed for cleaning and the bottom pan may be removed by sliding pan forward.

REPLACEMENT OF INFINITE CONTROL

BE SURE POWER IS DISCONNECTED BEFORE ATTEMPTING TO SERVICE UNIT.

1. Pull control knobs on front panel forward to remove.
2. Remove 8 screws from front panel and tilt front panel forwards.
3. Remove the nut that mounts the inoperative control and pull the control to the side.
4. Remove one wire at a time from the inoperative control and connect at the same terminal on the new control. Carefully check to see that proper wires have been connected to the terminals of the control. See attached wiring diagram.
5. Assemble new control to the front panel.

MAINTENANCE AND REPAIRS

Contact the factory or one of its representatives or a local service company for service or maintenance if required.

LIMITED EQUIPMENT WARRANTY

APW warrants to the original purchaser of new APW's products to be free from defects in material or workmanship, under normal and proper use and maintenance service as specified by APW and upon proper installation and start-up in accordance with the instructions supplied with each APW unit. APWs' obligation under this warranty is limited to a period of one [1] year from the date of original installation, or eighteen [18] months from original invoice date, whichever occurs first. Defects that occur as a result of normal use, within the time period and limitations defined in this warranty, will at APWs' discretion have the parts replaced or repaired by APW or a APWs-authorized service agency.

THIS WARRANTY IS SUBJECT TO ALL LISTED CONDITIONS

Repairs performed under this warranty are to be performed by an APW authorized service agency. APW will not be responsible for charges incurred or service performed by non-authorized repair agencies. In all cases, the nearest APW-authorized service agency must be used. APW will be responsible for normal labor charges incurred in the repair or replacement of a warranted product within 50 miles (80.5 km) of an authorized service agency. Time and expense charges for anything beyond that distance will be the responsibility of the owner. All labor will need to be performed during regular service hours. Any overtime premium will be charged to the owner. For all shipments outside the U.S.A. and Canada, please see the International Warranty for specific details. It is the responsibility of the owner to inspect and report any shipping damage claims, hidden or otherwise, promptly following delivery. No mileage or travel charges will be honored on any equipment that is deemed portable. In general, equipment with a cord and plug weighing less than 50 lb. (22.7 kg) is considered portable and should be taken or shipped to the closest authorized service agency, transportation prepaid.

CONTACT

Should you require any assistance regarding the operation or maintenance of any APW Manufacturing; phone or email our service department. In all correspondence provide the model number and serial number of the unit needing service; include the voltage or gas type.

Normal Business Hours: 8:00 a.m. to 4:30 p.m. Central

Telephone: 800-264-7827 Tech Service Option 2

Email: TechService@partstown.com

www.apwwyott.com

WARRANTY EXCLUSIONS

THE FOLLOWING WILL NOT BE COVERED UNDER WARRANTY.

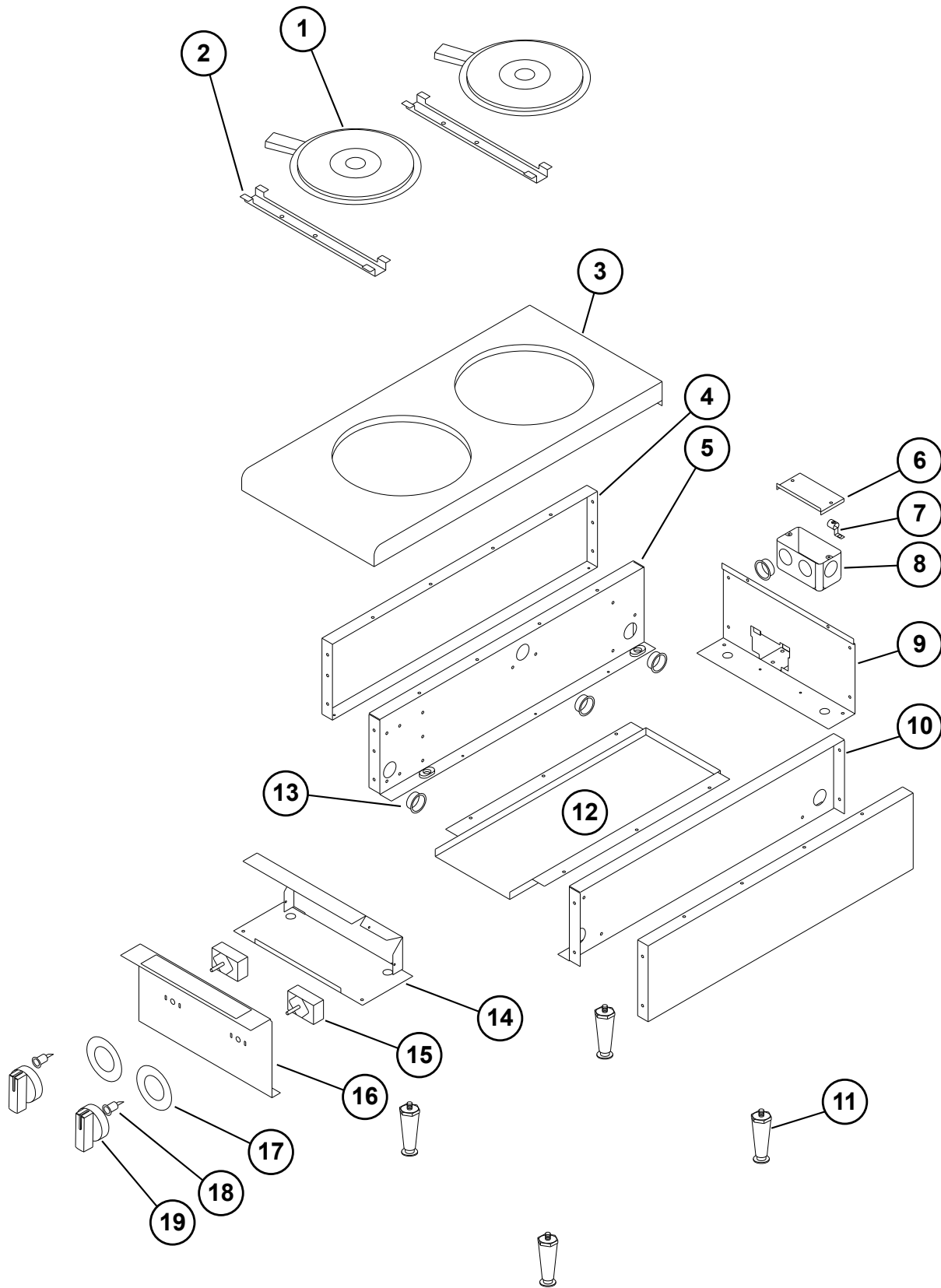
APWs' sole obligation under this warranty is limited to either repair or replacement parts, subject to the additional limitations detailed below. This warranty neither assumes nor authorizes any person to assume obligations other than those expressly covered by this warranty.

- Any product which has not been used, maintained, or installed in accordance with the directions published in the appropriate installation sheet and/or owner's manual, including incorrect gas or electrical connection. APW is not liable for any unit which has been mishandled, abused, misapplied, subjected to harsh chemicals, modified by unauthorized personnel, damaged by flood, fire, or other acts of nature [or God], or which have an altered or missing serial number.
- Installation, labor, and job checkouts, calibration of heat controls, air and gas burner/bypass/pilot adjustments, gas or electrical system checks, voltage and phase conversions, cleaning of equipment, or seasoning of griddle surface.
- Replacement of fuses or resetting of circuit breakers, safety controls, or reset buttons.
- Replacement of broken or damaged glass components, quartz heating elements, and light bulbs.
- Labor charges for all removable and consumable parts in gas charbroilers and hotplates, including but not limited to burners, grates, and radiants.
- Any labor charges incurred by delays, waiting time, or operating restrictions that hinder a service technician's ability to perform service.
- Replacement of parts that fail or are damaged due to normal wear or labor for replacement of parts that can be replaced during a daily cleaning routine, such as but not limited to silicone belts, PTFE non-stick sheets, control labels, knobs, bulbs, fuses, quartz heating elements, baskets, racks, and grease drawers.
- Any economic loss of business or profits.
- Non-OEM parts. Use of non-OEM parts without APWs' approval will void the warranty.
- Units exceeding one [1] year from original installation date, or more than eighteen [18] months from original invoice date, whichever comes first.

ADDITIONAL WARRANTIES

- Specific/chain-specific equipment may have additional and/or extended warranties.

The foregoing warranty is in lieu of any and all other warranties expressed or implied and constitutes the entire warranty.



MODEL: SEHPS
Electric Hotplates

APW
wyott

SK2963 REV -

12/4/2020

PARTS LIST

Rev. A (12-21)

MODEL: SEHPS Electric Hotplate

Fig No.	Part No	Description	Qty	Application
1	2N-Y3301	ELEMENT	2	ALL
2	LM-73601-01	ELEMENT CLAMP	2	ALL
3	I3-86176	TOP, 502FD	1	ALL
4	G3-Z5945	SIDE PANEL LT/RT	2	ALL
5	I2-502023	SIDE LINER, LEFT	1	ALL
6	G3-Y7788	COVER, HANDY BOX	1	ALL
7	2C-Y2344	TERMINAL-GRND T&B	1	ALL
8	2E-Y7327	HANDY BOX 4X2.125X2.125	1	ALL
9	I2-Z6170	REAR PANEL	1	ALL
10	G3-624303	SIDE LINER, RIGHT	1	ALL
11	2A-Z0314	FOOT, 4 IN DIE CAST	4	ALL
12	I3-Z6174	BOTTOM PANEL	1	ALL
13	2K-Z6183	BUSHING 1.125	4	ALL
14	I2-Z6172	CENTER WALL	1	ALL
15	2E-Z22954	CONTROL-INFINITE 240V	2	ALL
16	I8-Z23768	FRONT PANEL	1	ALL
17	2M-Z15452	LABEL, KNOB S/M ELEC. INF.	2	ALL
18	2J-Y6690	PILOT LIGHT 240V	2	ALL
19	2R-Z13016	KNOB, T-STAT ELEC.	2	ALL

IMPORTANT: WHEN ORDERING, SPECIFY VOLTAGE OR TYPE GAS DESIRED INCLUDE MODEL AND SERIAL NUMBER

Some items are included for illustrative purposes only and in certain instances may not be available.

APW
wyott is a registered trademark of APW Wyott®, A Middleby Company. All rights reserved.

265 HOBSON ST.
SMITHVILLE, IN. 37166, USA

DR. JT CK. DATE 12-4-20

TOLERANCES UNLESS OTHERWISE NOTED
FRACTIONS ± 1/64 DECIMALS ± .005 ANGLES ± 1°

SEHPS		SEHPS	
RATED WATTAGE	NOMINAL AMPS PER LINE	SEHPS	SEHPS
5200 (240V)	208 V (1 PH)	240 V (1 PH)	
3900 (208V)	18.77	21.66	
	AWG #10	AWG #10	

FOR SUPPLY CONNECTIONS USE GA. SHOWN (OR LARGER)

NOTE: FOR SUPPLY CONNECTIONS USE COPPER WIRE ONLY, SUITABLE FOR AT LEAST 90 DEG. C (194 DEG. F)

MATERIAL

FINISH

THIS DRAWING CONTAINS INFORMATION CONFIDENTIAL TO STAR MFG. INT'L. INC. NO REPRODUCTION OR DISCLOSURE OF ITS CONTENTS IS PERMITTED.

SEHPS	REVISIONS	LTR	DATE	DESCRIPTION OF CHANGE	DR

MODEL NO. SEHPS

TITLE WIRING DIAGRAM

PART NO. SK1986-2

