



DESIGNED SMART. BUILT SOLID.®

OVERHEAD WARMERS

MODELS:

FD, FDL

Intended for other than household use.
Unit must be kept clear of combustibles at all times

OWNERS MANUAL

2M-70400000 REV B (02-22)



MODEL FD18

APW Wyott® cooking equipment has been engineered to provide you with year-round dependable service when used according to the instructions in this manual and standard commercial kitchen practices.



This manual includes material related to installation, use, cleaning, and care. Exploded view[s], as well as any available parts list[s] and wiring diagram[s] pertaining to the unit[s] covered by this manual are also included.

This manual must be read and understood by all persons using or installing this appliance. Contact your APW Wyott dealer if you have any questions concerning installation, use, or maintenance of this equipment.

DO NOT DISCARD THIS MANUAL.

APW wyott is a registered trademark of APW Wyott®, A Middleby Company. All rights reserved.

TABLE OF CONTENTS

SECTION ITEM	PAGE	SECTION ITEM	PAGE
1	Owner's Information2	6	General Cleaning Instructions5
	General Information.2	7	Troubleshooting6
	Installation Instructions2		Wiring Diagrams6
	Warnings3		FD Wiring Diagrams6
	General Operation Instructions4		FDL Wiring Diagrams7
	Warranty Information.4		Parts Lists.8
2	Important Safety Information.4		FD Replacement Parts8
3	Specifications4		FDL Replacement Parts 10
	Electrical4	9	Warranty. 15
	Dimensions5		
4	Operation5		
	Operating Instructions.5		
5	Cleaning5		

1. OWNERS INFORMATION

General Information:



1. Always clean equipment thoroughly before first use. (See general cleaning instructions).
2. Check rating label for your model designation and electrical rating.
3. For best results, use stainless steel countertops.
4. All dimensions in parenthesis in centimeters unless noted.
5. APW Wyott® Overhead Food warmers are constructed from high quality stainless steel and available in lengths from 18” to 72”. Utilizing a metal sheath-heating element with a specially designed reflector, these units give uniform heat over the entire holding surface.
6. In Europe, contact an APW Wyott authorized service agency for replacement light bulbs.

Installation Instructions:



- A. Always clean equipment thoroughly before first use (See cleaning instructions).
- B. Provide the following clearances around food warmer:
Do not install closer than:
A = Minimum clearance (in inches) to Bottom Surface of unit from Tabletop
B = Minimum clearance (in inches) to Back of unit
C = Minimum clearance (in inches) to Sides of unit.



Clearances For Overheads						
	High Wattage			Low Wattage		
FD/FDL-18	16	2	2	16	2	2
FD/FDL-24	16	2	2	16	2	2
FD/FDL-30	16	2	2	16	2	2
FD/FDL-36	16	2	2	16	2	2
FD/FDL-42	16	2	2	16	2	2
FD/FDL-48	16	2	2	16	2	2
FD/FDL-54	16	2	2	16	2	2
FD/FDL-60	16	2	2	16	2	2
FD/FDL-66	16	2	2	16	2	2
FD/FDL-72	16	2	2	16	2	2

- C. Consult foodwarmer rating label for model designation and correct operating voltage and amperage.
- D. Ceiling mounting brackets are provided with each foodwarmer for chain or shelf mounting. Remove brackets from packaging and screws from ends of foodwarmer to attach brackets. Use four #10 screws or studs with locknuts for shelf mounting. For chain mounting, use #14 jack chain and “S” hooks.
- E. Remote switches are recommended. Longer switch life will result from cooler switch mounting locations. Optional stainless steel remote toggle and infinite switch box kits are available. Installation of remote switch box by service personnel requires 7/8” conduit, 1/4” push-on terminals, and no. 14 AWG copper wire suitable for at least 90°C. Mount remote box to flat surface with two #10 screws or studs with locknuts. All wires marked as shown on wiring diagram.
- F. Optional tubular stands are available for permanently mounting foodwarmers to non-combustible countertops.
- G. Optional portable legs are available for foodwarmers for use over non-combustible countertops.
- H. Installation of cord sets by service personnel should utilize the strain relief, grounding stud, and porcelain wire nuts provided with foodwarmers.
- I. If unit is supplied with a power cord, the appliance must be positioned so that the plug is accessible.

 **NOTE:** to avoid burning or charring of materials in the surface below the foodwarmer use only above an all-metal structure such as a table or countertop. See minimum clearance chart above. 
 Remote switches are recommended for under shelf mounting. Longer switch life will result from cooler switch mounting locations.

 **WARNING:** California Residents Only. This product can expose you to chemicals including chromium which is known to the State of California to cause cancer and birth defects or other reproductive harm. For more information go to www.P65Warnings.ca.gov. 

 **WARNING:** For your safety do not store or use gasoline or other flammable vapors or liquids in the vicinity of this or any other appliance. Keep the area free and clear of combustibles. (See ANZI Z83.14B, 1991) 

 **WARNING:** Improper installation, operation, service or maintenance can cause property damage, injury or death. Read and understand these instructions thoroughly before positioning, installing, maintaining or servicing this equipment. 

Initial heating of appliance may generate smoke or fumes and must be done in a well ventilated area. Overexposure to smoke or fumes may cause nausea or dizziness.

APW Wyott® cooking equipment has been engineered to provide you with year-round dependable service when used according to the instructions in this manual and standard commercial kitchen practices.

General Operation Instructions:

1. All foodservice equipment should be operated by trained personnel.
2. Do not allow your customers to come in contact with any surface labeled “CAUTION HOT”.
3. Never hold food below 150°F (66°C).

Warranty Information:

Reliability Backed By APW Wyott’s Warranty:

All APW Wyott® Overhead Warmers are backed by a one year parts and labor warranty, including On-Site Service calls within 50 miles of authorized service technicians.

Service Information:

Service Hotline (800) 733-2203

2. SAFETY INFORMATION

APW Wyott Overhead Warmers are designed, built and sold for commercial use and should be operated by trained personnel only. Clearly post all CAUTIONS, WARNINGS and OPERATING INSTRUCTIONS near each unit to insure proper operation and to reduce the chance of personal injury and/or equipment damage.

Always disconnect power before servicing the Overhead Warmer. Surfaces will remain hot after power has been turned off. Allow unit to cool before cleaning or servicing. Never clean the Overhead Warmer by immersing it in water. The Overhead Warmer is not protected against water jets; DO NOT CLEAN OVERHEAD WARMER WITH A WATER JET. Always clean equipment before first use.

3. SPECIFICATIONS

Electrical:

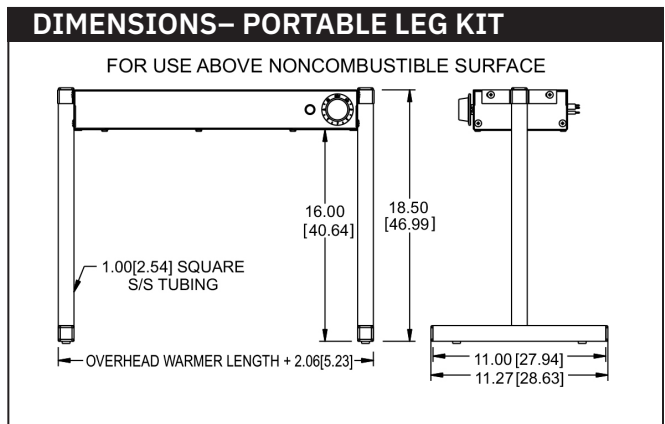
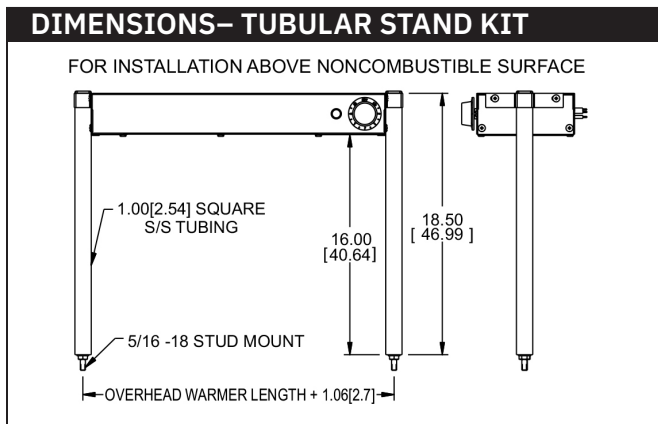
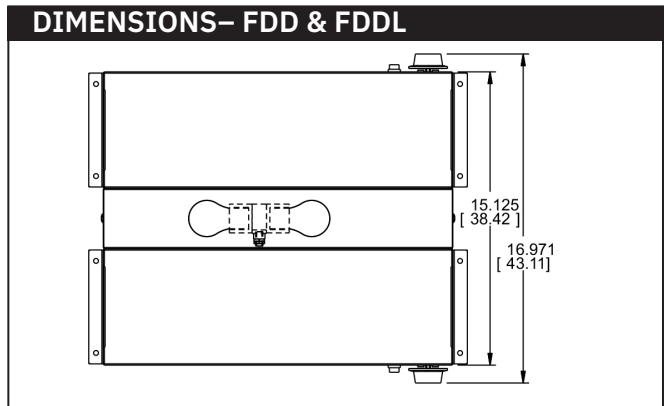
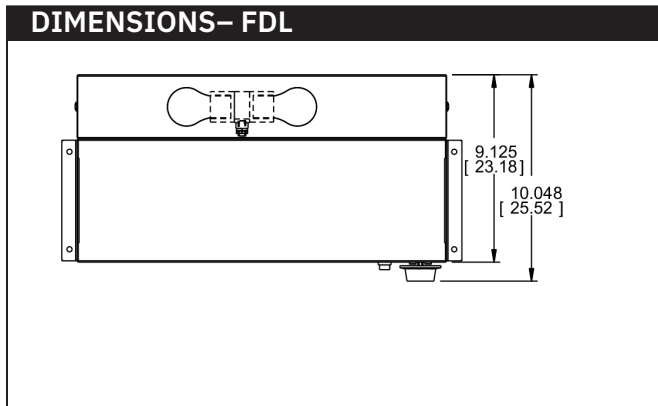
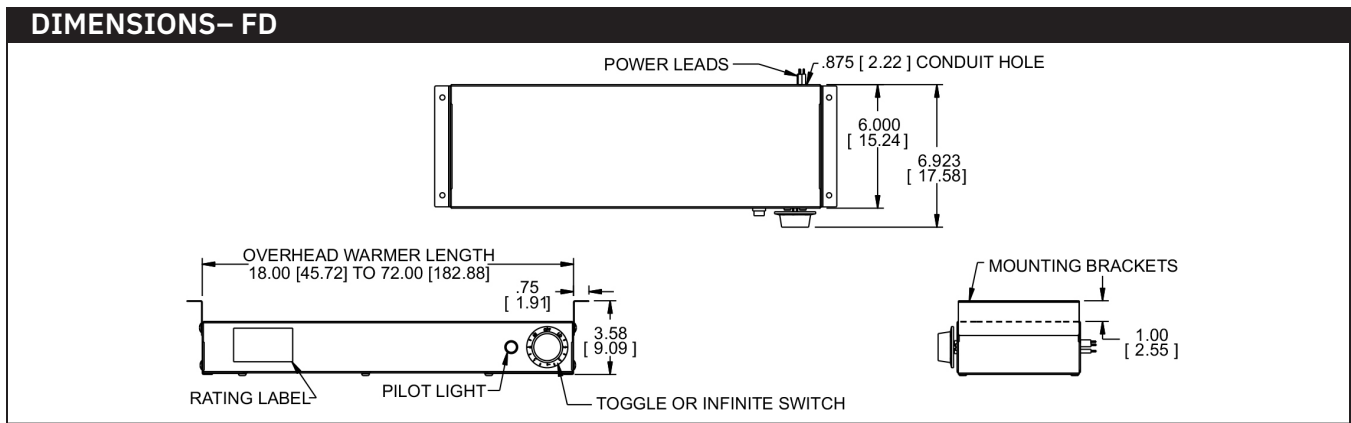
- A. Single-phase operation at 120, 208, 230, and 240 volts. (See label on each unit).
- B. Field-wired units provided with 7/8” conduit hole, 6” long leads, and porcelain wire nuts. For supply connections, use minimum no. 14AWGcopper wires suitable for at least 90°C.
- C. U.S. cord-connected units provided with following plug configuration:
 1. 120 volt up to 1440 watts =NEMA5-15P; 120 volt up to 1920 watts =NEMA5-20P
 2. 208 volt up to 2496 watts =NEMA6-15P; 208 volt up to 3328 watts =NEMA6-20P
 3. 240 volt up to 2880 watts =NEMA6-15P; 240 volt up to 3840 watts =NEMA6-20P
- D. European cord-connected units provided with following plug configuration:
 1. Continental Europe 230 volt up to 3600 watts = Schuko CEE7/7
 2. UK 230 volt up to 2930 watts =Bs1363

If the supply cord is damaged, an authorized service agent or a similarly qualified person must replace it to avoid a hazard or voiding the warranty.

WARNING: Electrical shock hazard. Failure to follow the instructions in this manual could result in serious injury or death.

- Electrical Ground is required on this appliance.
- Do not modify the power supply cord plug. If it does not fit into the outlet, have the proper outlet installed by a qualified electrician
- Do not use an extension cord with this appliance.
- Check with a qualified electrician if you are unsure as to whether the appliance is properly grounded.

Overall Dimensions:



4. OPERATION

- A. All foodservice equipment should be operated by trained personnel.
- B. Do not allow your customers to come in contact with any surface labeled “CAUTION HOT”.
- C. Switch on unit. Place precooked product under heat source. Maximum heat coverage equivalent to unit length.
- D. Never hold food below 150°F.

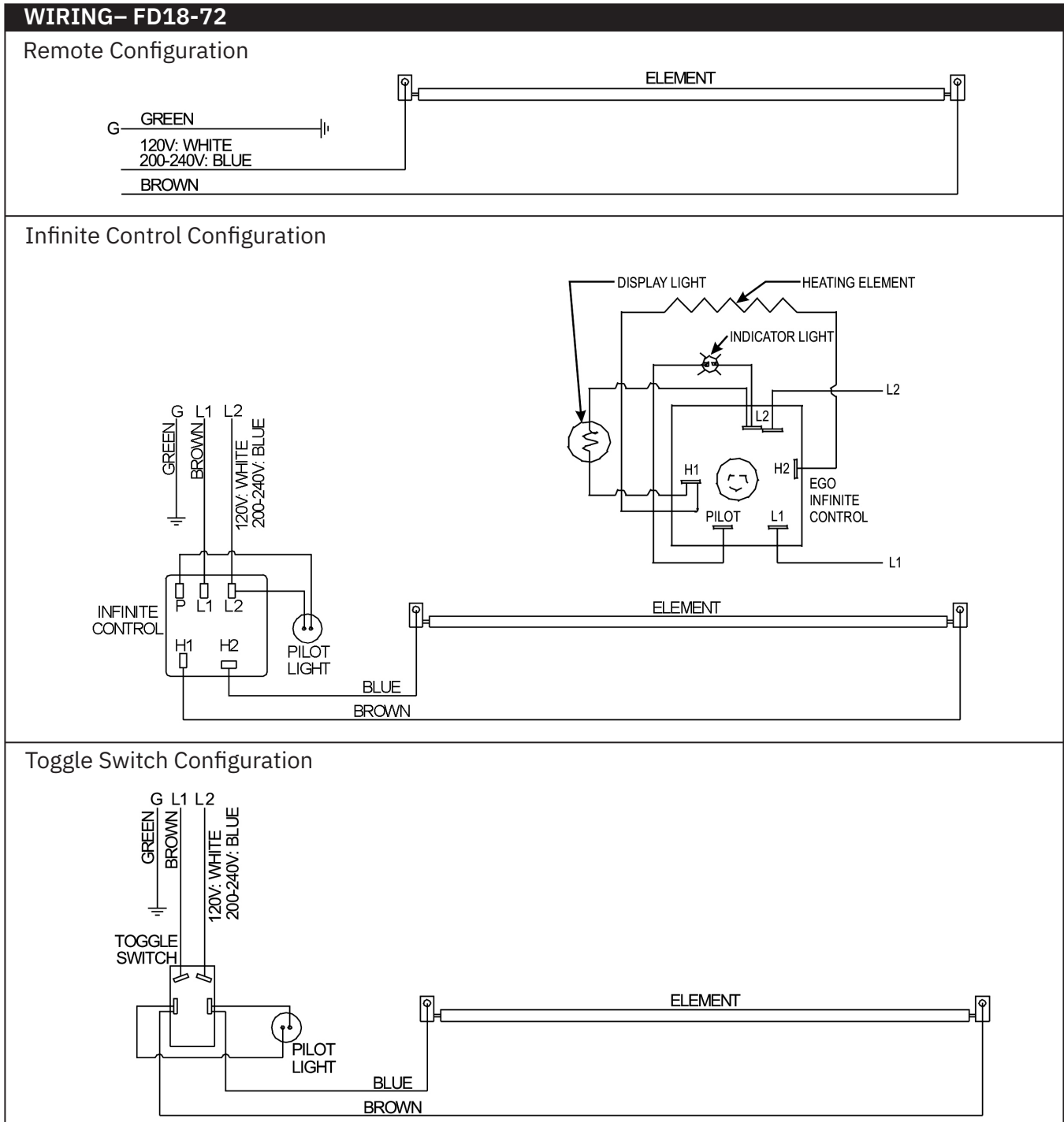
5. CLEANING

- A. Never clean any electrical unit by immersing it in water.
- B. Never clean any electrical unit using water jets.
- C. Disconnect power before cleaning or servicing units.
- D. Clean unit daily. Use warm, soapy water. Mild cleansers and non-abrasive pads may be used to remove baked-on food.

6. TROUBLESHOOTING

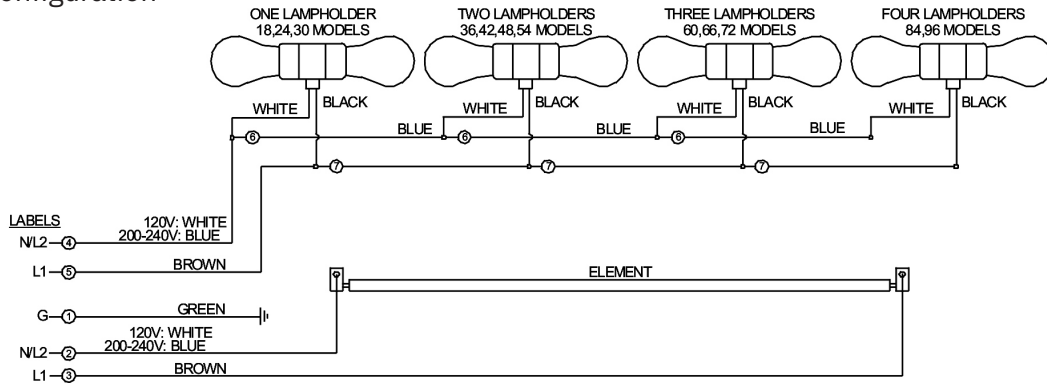
- A. Always ask and check:
1. Is the unit connected to a live power source?
 2. Check the circuit breaker.
 3. Is the power switch on and pilot light illuminating?
 4. Check the rating label. Is the unit operating on proper voltage?
- B. If the above checks out, and problems still exist, call an APW Wyott authorized service agency.
- C. All service should be performed by an APW Wyott authorized service agency.

7. WIRING DIAGRAMS

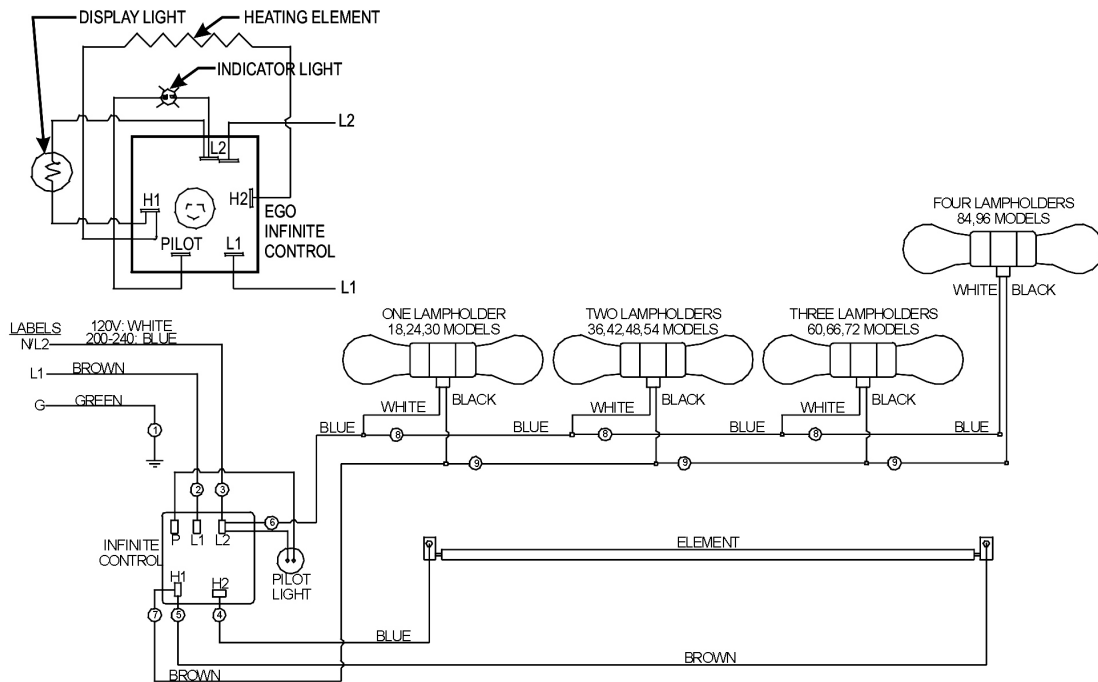


WIRING - FDL18-72

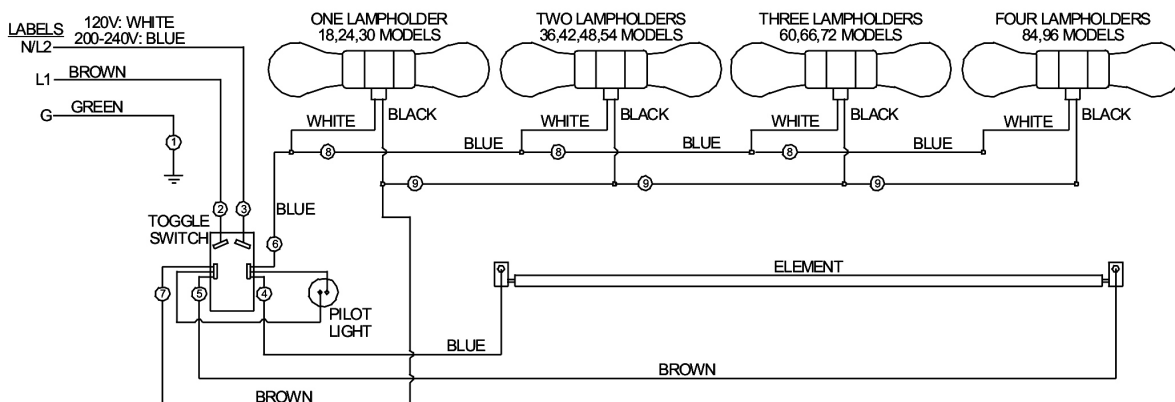
Remote Configuration



Infinite Control Configuration



Toggle Switch Configuration



8. PARTS LISTS

Model "FD" Overhead Warmers Replacement Parts Catalog
 FD Followed By 18, 24, 30, 36, 42, 48, 54, 60, 66, or 72

Model	Volts	High Wattage	Low Wattage	Model	Volts	High Wattage	Low Wattage
FD18	120	400	250	FD54	120	1425	925
	208	400	250		208	1425	925
	230	368	294		230	1309	850
	240	400	320		240	1425	925
FD24	120	575	350	FD60	120	1600	1050
	208	575	350		208	1610	1050
	230	529	322		230	1479	965
	240	575	350		240	1610	1050
FD30	120	760	450	FD66	208	1800	1160
	208	760	450		230	1654	1066
	230	698	414		240	1800	1160
	240	760	450	FD72	208	1980	1275
FD36	120	920	575		230	1819	1171
	208	920	575		240	1980	1275
	230	845	529				
	240	920	575				
FD42	120	1100	675				
	208	1100	675				
	230	1011	620				
	240	1100	675				
FD48	120	1265	800				
	208	1265	800				
	230	1162	735				
	240	1265	800				

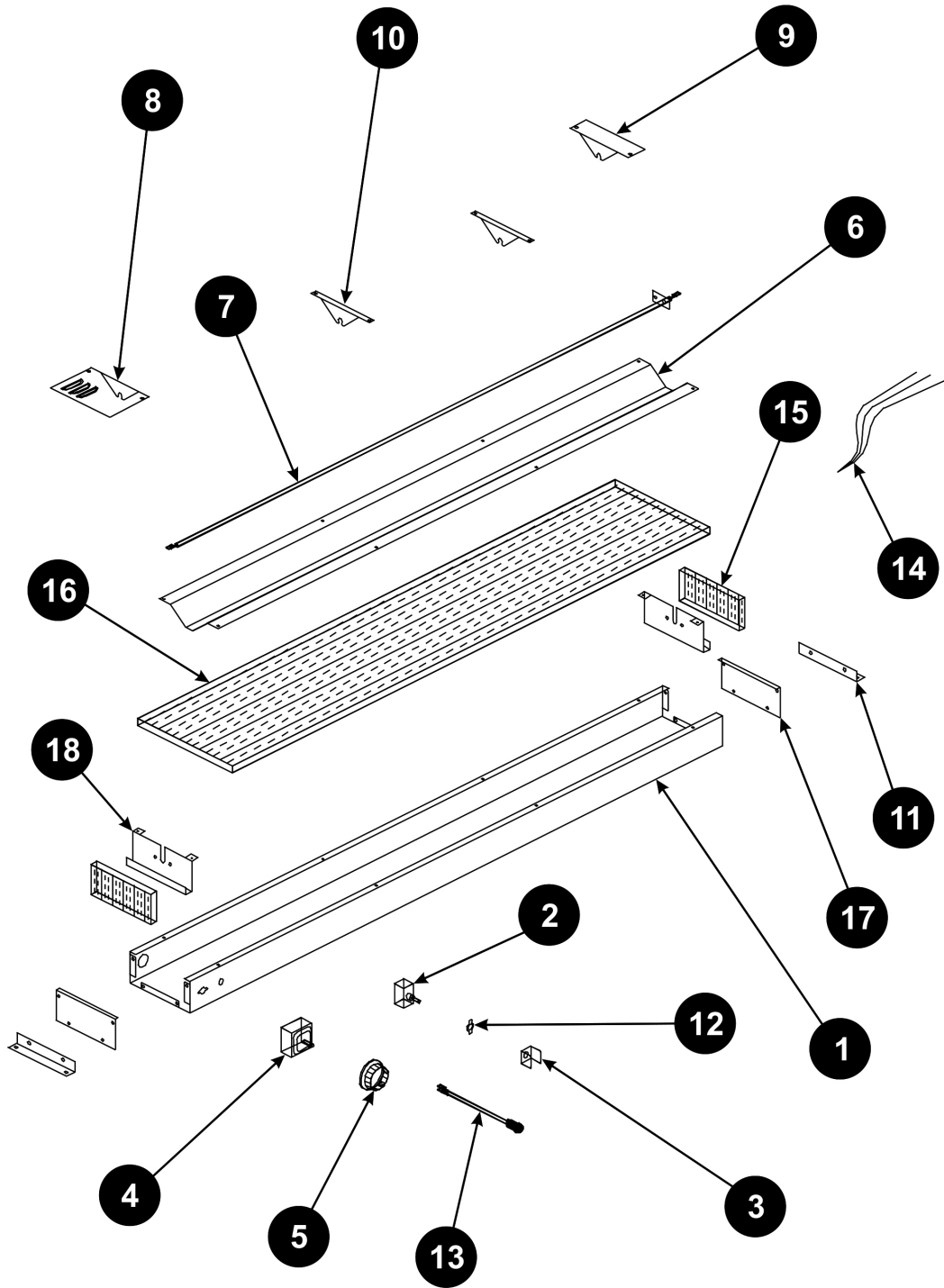
For complete style and option designation:

Add one suffix from each following categories after the model and length

Wattage	Voltage	Switch
H=High Wattage	1=120V	I=Infinite Control
L=Low Wattage	2=208V	T=Toggle Switch
	3=240V	R=Remote Control/Switch

Example: A warmer, 48" long, high wattage, 208v, with infinite control = [OH48H2I](#)

EXPLODED VIEW – FD18 THRU FD-72



FD18 Thru 72 Overhead Warmers

Item	Part NO.	Description	Item	Part NO.	Description
1	76835	HOUSING FD18		75859	ELEMENT FD42 240V 675W
	76836	HOUSING FD24		75806	ELEMENT FD48 120V 1265W
	76837	HOUSING FD30		75807	ELEMENT FD48 208V 1265W
	76838	HOUSING FD36		75808	ELEMENT FD48 240V 1265W
	76839	HOUSING FD42		75860	ELEMENT FD48 120V 800W
	76840	HOUSING FD48		75861	ELEMENT FD48 208V 800W
	76841	HOUSING FD54		75862	ELEMENT FD48 240V 800W
	76842	HOUSING FD60		75823	ELEMENT FD54 120V 1425W
	76843	HOUSING FD66		75824	ELEMENT FD54 208V 1425W
	76844	HOUSING FD72		75825	ELEMENT FD54 240V 1425W
			75863	ELEMENT FD54 120V 925W	
			75864	ELEMENT FD54 208V 925W	
2	67005	TOGGLE SWITCH		75865	ELEMENT FD54 240V 925W
3	76100	SWITCH GUARD		75817	ELEMENT FD60 120V 1600W
4	55564-EGO	INFINITE CONTROL 120V		75809	ELEMENT FD60 208V 1610W
	87054-EGO	INFINITE CONTROL 208V		75810	ELEMENT FD60 240V 1610W
	87053-EGO	INFINITE CONTROL 240V		75866	ELEMENT FD60 120V 1050W
5	55825	KNOB		75867	ELEMENT FD60 208V 1050W
6	76805	REFLECTOR FD18		75868	ELEMENT FD60 240V 1050W
	76806	REFLECTOR FD24		75826	ELEMENT FD66 208V 1800W
	76807	REFLECTOR FD30		75827	ELEMENT FD66 240V 1800W
	76808	REFLECTOR FD36		75869	ELEMENT FD66 208V 1160W
	76809	REFLECTOR FD42		75870	ELEMENT FD66 240V 1160W
	76810	REFLECTOR FD48		75811	ELEMENT FD72 208V 1980W
	76811	REFLECTOR FD54		75812	ELEMENT FD72 240V 1980W
	76812	REFLECTOR FD60		75871	ELEMENT FD72 208V 1275W
	76813	REFLECTOR FD66		75872	ELEMENT FD72 240V 1275W
	76814	REFLECTOR FD72			
7	75801	ELEMENT FD18 120V 400W			
	75833	ELEMENT FD18 208V 400W	8	76801	COVER LARGE RH
	75830	ELEMENT FD18 240V 400W	9	76802	COVER SMALL
	75851	ELEMENT FD18 120V 250W	10	76106	ELEMENT GUARD
	75873	ELEMENT FD18 208V 250W	11	76955	MOUNTING BRACKET
	75874	ELEMENT FD18 240V 320W	12	67003	ON-OFF PLATE
	75461	ELEMENT FD24 120V 575W	13	56530	PILOT LIGHT
	75813	ELEMENT FD24 208V 575W	14		WIRE SET: SPECIFY MODEL NO.
	75814	ELEMENT FD24 240V 575W	15	76189	INSULATION FD18 THRU FD72
	75852	ELEMENT FD24 120V 350W	16	76190	INSULATION FD18
	75875	ELEMENT FD24 208V 350W		76191	INSULATION FD24
	75876	ELEMENT FD24 240V 350W		76192	INSULATION FD30
	75802	ELEMENT FD30 120V 760W		76193	INSULATION FD36
	75820	ELEMENT FD30 208V 760W		76194	INSULATION FD42
	75831	ELEMENT FD30 240V 760W		76195	INSULATION FD48
	75853	ELEMENT FD30 120V 450W		76196	INSULATION FD54
	75877	ELEMENT FD30 208V 450W		76197	INSULATION FD60
	75878	ELEMENT FD30 240V 450W		76198	INSULATION FD66
	75803	ELEMENT FD36 120V 920W		76199	INSULATION FD72
	75804	ELEMENT FD36 208V 920W	17	76803	END PLATE
	75805	ELEMENT FD36 240V 920W	18	76804	ELEMENT SUPPORT
	75854	ELEMENT FD36 120V 575W			
	75855	ELEMENT FD36 208V 575W	Parts Not Shown		
	75856	ELEMENT FD36 240V 575W		58004	SELF RETAINING FASTENER
	75819	ELEMENT FD42 120V 1100W		89087	8-32 X 3/16 MACHINE SCREW
	75821	ELEMENT FD42 208V 1100W		88993	10-32 X 3/8 NYLOCK MACHINE
	75822	ELEMENT FD42 240V 1100W		88909	8-18 X 3/8 SHEET METAL (AB)
	75857	ELEMENT FD42 120V 675W		89059	#10 EXTERNAL LOCKWASHER
75858	ELEMENT FD42 208V 675W		88961	10-24 HEX NUT GREEN-GROUND	

Model “FDL” Overhead Warmers Replacement Parts Catalog
 FDL Followed By 18, 24, 30, 36, 42, 48, 54, 54, 60, 66, or 72

Model	Volts	High Wattage	Low Wattage	Model	Volts	High Wattage	Low Wattage
FDL18	120	480	330	FDL54	120	1585	1085
	208	462	312		208	1549	1049
	230	441	368		230	1456	997
	240	480	400		240	1585	1085
FDL24	120	655	430	FDL60	120	1840	1290
	208	637	412		208	1796	1236
	230	602	395		230	1700	1185
	240	655	430		240	1850	1290
FDL30	120	840	530	FDL66	208	1986	1346
	208	822	512		230	1874	1286
	230	772	487		240	2040	1400
	240	840	530	FDL72	208	2166	1461
FDL36	120	1080	735		230	2039	1392
	208	1044	699		240	2220	1515
	230	992	676				
	240	1080	735				
FDL42	120	1260	835				
	208	1224	799				
	230	1158	767				
	240	1260	835				
FDL48	120	1425	960				
	208	1389	924				
	230	1309	882				
	240	1425	960				

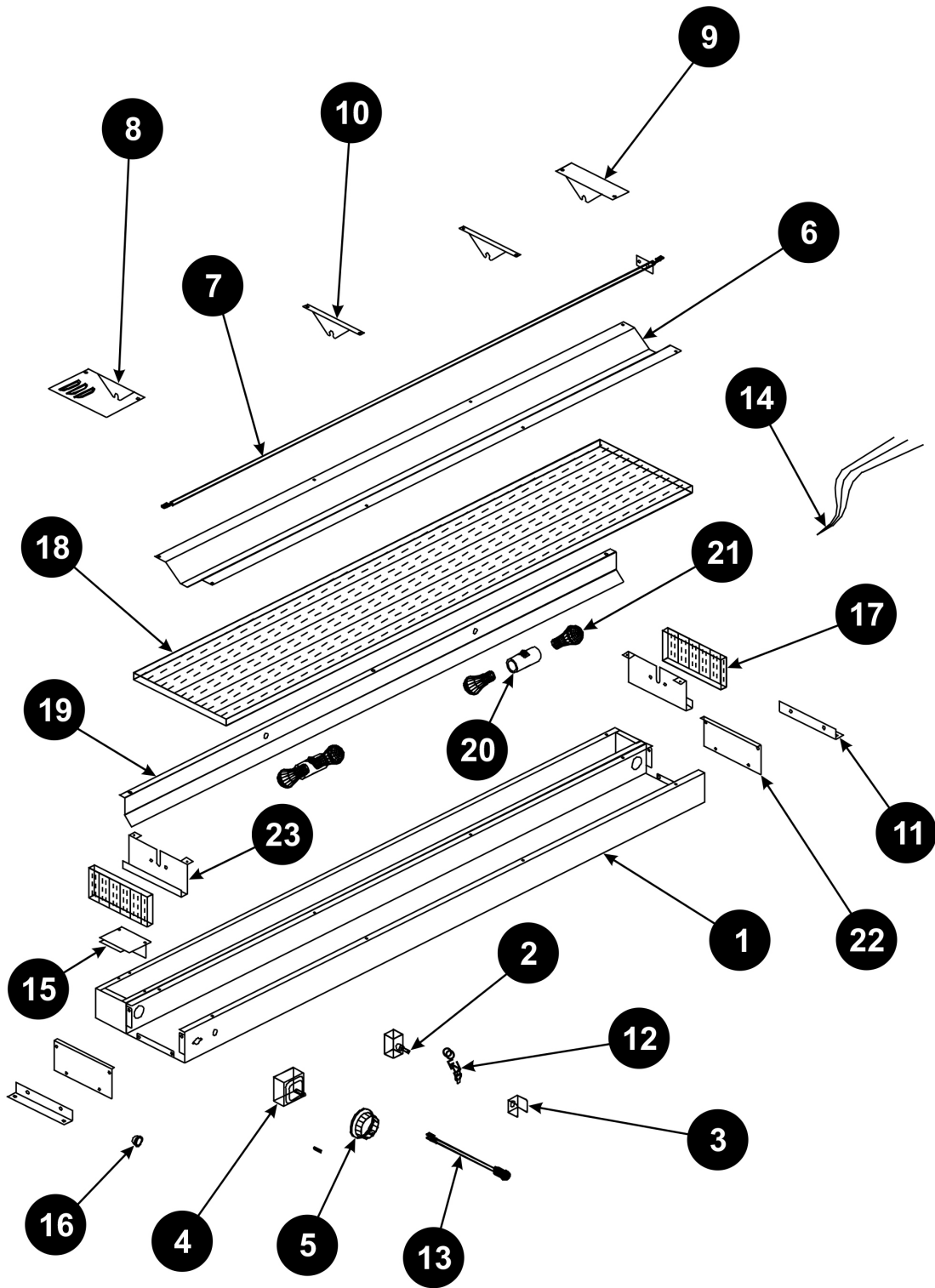
For complete style and option designation:

Add one suffix from each following categories after the model and length

Wattage	Voltage	Switch
H=High Wattage	1=120V	I=Infinite Control
L=Low Wattage	2=208V	T=Toggle Switch
	3=240V	R=Remote Control/Switch

Example: A lighted warmer, 48” long, high wattage, 208v, with infinite control = OHL48H2I

EXPLODED VIEW – FDL18 THRU FDL-72



FDL18 Thru 72 Lighted Overhead Warmers

Item	Part NO.	Description	Item	Part NO.	Description
1	76845	HOUSING FDL18		75824	ELEMENT FD54 208V 1425W
	76846	HOUSING FDL24		75825	ELEMENT FD54 240V 1425W
	76847	HOUSING FDL30		75863	ELEMENT FD54 120V 925W
	76848	HOUSING FDL36		75864	ELEMENT FD54 208V 925W
	76849	HOUSING FDL42		75865	ELEMENT FD54 240V 925W
	76850	HOUSING FDL48		75817	ELEMENT FD60 120V 1600W
	76851	HOUSING FDL54		75809	ELEMENT FD60 208V 1610W
	76852	HOUSING FDL60		75810	ELEMENT FD60 240V 1610W
	76853	HOUSING FDL66		75866	ELEMENT FD60 120V 1050W
	76854	HOUSING FDL72		75867	ELEMENT FD60 208V 1050W
			75868	ELEMENT FD60 240V 1050W	
			75826	ELEMENT FD66 208V 1800W	
2	67004	TOGGLE SWITCH		75827	ELEMENT FD66 240V 1800W
3	76100	SWITCH GUARD		75869	ELEMENT FD66 208V 1160W
4	55564-EGO	INFINITE CONTROL 120V		75870	ELEMENT FD66 240V 1160W
	87054-EGO	INFINITE CONTROL 208V		75811	ELEMENT FD72 208V 1980W
	87053-EGO	INFINITE CONTROL 240V		75812	ELEMENT FD72 240V 1980W
5	55825	KNOB		75871	ELEMENT FD72 208V 1275W
6	76805	REFLECTOR FD18		75872	ELEMENT FD72 240V 1275W
	76806	REFLECTOR FD24			
	76807	REFLECTOR FD30			
	76808	REFLECTOR FD36			
	76809	REFLECTOR FD42			
	76810	REFLECTOR FD48	8	76801	COVER LARGE
	76811	REFLECTOR FD54	9	76802	COVER SMALL
	76812	REFLECTOR FD60	10	76106	ELEMENT GUARD
	76813	REFLECTOR FD66	11	76955	MOUNTING BRACKET
	76814	REFLECTOR FD72	12	67003	ON-OFF PLATE
		13	56530	PILOT LIGHT	
		14		WIRE SET: SPECIFY MODEL NO.	
7	75801	ELEMENT FD18 120V 400W	15	76159	END COVER RH DL
	75833	ELEMENT FD18 208V 400W	16	89182	SNAP-IN BUSHING
	75830	ELEMENT FD18 240V 400W	17	76189	INSULATION FD18 THRU FD72
	75851	ELEMENT FD18 120V 250W	18	76190	INSULATION FD18
	75873	ELEMENT FD18 208V 250W		76191	INSULATION FD24
	75874	ELEMENT FD18 240V 320W		76192	INSULATION FD30
	75461	ELEMENT FD24 120V 575W		76193	INSULATION FD36
	75813	ELEMENT FD24 208V 575W		76194	INSULATION FD42
	75814	ELEMENT FD24 240V 575W		76195	INSULATION FD48
	75852	ELEMENT FD24 120V 350W		76196	INSULATION FD54
	75875	ELEMENT FD24 208V 350W		76197	INSULATION FD60
	75876	ELEMENT FD24 240V 350W		76198	INSULATION FD66
	75802	ELEMENT FD30 120V 760W		76199	INSULATION FD72
	75820	ELEMENT FD30 208V 760W	19	76211	LIGHT SUPPORT DL18
	75831	ELEMENT FD30 240V 760W		76212	LIGHT SUPPORT DL24
	75853	ELEMENT FD30 120V 450W		76213	LIGHT SUPPORT DL30
	75877	ELEMENT FD30 208V 450W		76214	LIGHT SUPPORT DL36
	75878	ELEMENT FD30 240V 450W		76215	LIGHT SUPPORT DL42
	75803	ELEMENT FD36 120V 920W		76216	LIGHT SUPPORT DL48
	75804	ELEMENT FD36 208V 920W		76217	LIGHT SUPPORT DL54
	75805	ELEMENT FD36 240V 920W		76218	LIGHT SUPPORT DL60
	75854	ELEMENT FD36 120V 575W		76219	LIGHT SUPPORT DL66
	75855	ELEMENT FD36 208V 575W		76220	LIGHT SUPPORT DL72
	75856	ELEMENT FD36 240V 575W			
	75819	ELEMENT FD42 120V 1100W			
	75821	ELEMENT FD42 208V 1100W	20	75917	TWIN LAMPHOLDER
	75822	ELEMENT FD42 240V 1100W	21	75916	COATED LIGHT BULB 120V 40W
	75857	ELEMENT FD42 120V 675W		76874	COATED LIGHT BULB 240V 40W
	75858	ELEMENT FD42 208V 675W	22	76803	END PLATE
	75859	ELEMENT FD42 240V 675W	23	76804	ELEMENT SUPPORT
75806	ELEMENT FD48 120V 1265W	Parts Not Shown			
75807	ELEMENT FD48 208V 1265W		58004	SELF RETAINING FASTENER	
75808	ELEMENT FD48 240V 1265W		89087	8-32 X 3/16 MACHINE SCREW	
75860	ELEMENT FD48 120V 800W		88993	10-32 X 3/8 NYLOCK MACHINE	
75861	ELEMENT FD48 208V 800W		88909	8-18 X 3/8 SHEET METAL (AB)	
75862	ELEMENT FD48 240V 800W		89059	#10 EXTERNAL LOCKWASHER	
75823	ELEMENT FD54 120V 1425W		88961	10-24 HEX NUT GREEN-GROUND	

LIMITED EQUIPMENT WARRANTY

APW warrants to the original purchaser of new APW's products to be free from defects in material or workmanship, under normal and proper use and maintenance service as specified by APW and upon proper installation and start-up in accordance with the instructions supplied with each APW unit. APW's obligation under this warranty is limited to a period of one [1] year from the date of original installation, or eighteen [18] months from original invoice date, whichever occurs first. Defects that occur as a result of normal use, within the time period and limitations defined in this warranty, will at APW's discretion have the parts replaced or repaired by APW or a APW's-authorized service agency.

THIS WARRANTY IS SUBJECT TO ALL LISTED CONDITIONS

Repairs performed under this warranty are to be performed by an APW authorized service agency. APW will not be responsible for charges incurred or service performed by non-authorized repair agencies. In all cases, the nearest APW-authorized service agency must be used. APW will be responsible for normal labor charges incurred in the repair or replacement of a warrantied product within 50 miles (80.5 km) of an authorized service agency. Time and expense charges for anything beyond that distance will be the responsibility of the owner. All labor will need to be performed during regular service hours. Any overtime premium will be charged to the owner. For all shipments outside the U.S.A. and Canada, please see the International Warranty for specific details. It is the responsibility of the owner to inspect and report any shipping damage claims, hidden or otherwise, promptly following delivery. No mileage or travel charges will be honored on any equipment that is deemed portable. In general, equipment with a cord and plug weighing less than 50 lb. (22.7 kg) is considered portable and should be taken or shipped to the closest authorized service agency, transportation prepaid.

CONTACT

Should you require any assistance regarding the operation or maintenance of any APW Manufacturing; phone or email our service department. In all correspondence provide the model number and serial number of the unit needing service; include the voltage or gas type.

Normal Business Hours: 8:00 a.m. to 4:30 p.m. Central

Telephone: 800-264-7827 Tech Service Option 2

Email: TechService@partstown.com

www.apwwyott.com

WARRANTY EXCLUSIONS

THE FOLLOWING WILL NOT BE COVERED UNDER WARRANTY.

APW's sole obligation under this warranty is limited to either repair or replacement parts, subject to the additional limitations detailed below. This warranty neither assumes nor authorizes any person to assume obligations other than those expressly covered by this warranty.

- Any product which has not been used, maintained, or installed in accordance with the directions published in the appropriate installation sheet and/or owner's manual, including incorrect gas or electrical connection. APW is not liable for any unit which has been mishandled, abused, misapplied, subjected to harsh chemicals, modified by unauthorized personnel, damaged by flood, fire, or other acts of nature [or God], or which have an altered or missing serial number.
- Installation, labor, and job checkouts, calibration of heat controls, air and gas burner/bypass/pilot adjustments, gas or electrical system checks, voltage and phase conversions, cleaning of equipment, or seasoning of griddle surface.
- Replacement of fuses or resetting of circuit breakers, safety controls, or reset buttons.
- Replacement of broken or damaged glass components, quartz heating elements, and light bulbs.
- Labor charges for all removable and consumable parts in gas charbroilers and hotplates, including but not limited to burners, grates, and radiants.
- Any labor charges incurred by delays, waiting time, or operating restrictions that hinder a service technician's ability to perform service.
- Replacement of parts that fail or are damaged due to normal wear or labor for replacement of parts that can be replaced during a daily cleaning routine, such as but not limited to silicone belts, PTFE non-stick sheets, control labels, knobs, bulbs, fuses, quartz heating elements, baskets, racks, and grease drawers.
- Any economic loss of business or profits.
- Non-OEM parts. Use of non-OEM parts without APW's approval will void the warranty.
- Units exceeding one [1] year from original installation date, or more than eighteen [18] months from original invoice date, whichever comes first.

ADDITIONAL WARRANTIES

- Specific/chain-specific equipment may have additional and/or extended warranties.

The foregoing warranty is in lieu of any and all other warranties expressed or implied and constitutes the entire warranty.



APW Wyott • www.apwwyott.com/
265 Hobson St. • Smithville, TN 37166
Telephone: (800) 527-2100

Printed in the U.S.A. • 2M-70400000 • REV B (02-22)
Specifications are subject to change without notice.

APW *wyott* is a registered trademark of APW Wyott®, A Middleby Company. All rights reserved.