



**Ice Machine Parts List  
for Models**

**AR1100A**

**AR1101W**

**AD1102A**

**AD1103W**

**AY1104A**

**AY1105W**

**BY1114A**

**BY1115W**

**Remote Cuber**

**AO & BY1190N**

**Remote Condenser**

**AC1195A**

**Manufactured April 1972 through May 1981**

## A1100

STANDARD 1100 SERIES CUBERS	PART NO.	CONTROL GROUP, continued	PART NO.
<b>COMPRESSOR CONDENSER GROUP</b>		High Pressure Control, Cut-out (Water-cooled only)	
<b>Bristol Compressor</b> , Single Phase. No Longer Available		Starting with SN 0-11693	23-5511-3
Bristol Run Capacitor	20-1014-3	Expansion Valve	† 83-6714-9
Start Capacitor	85-0364-3	Terminal Board	25-1013-1
Bristol Start Relay	85-0365-3	Paragon Timer (60 second)	
<b>Tecumseh Compressor</b> , Single Phase:		Used Up to SN 0-06446	No Longer Available
(B/M #AH333ET-108-A4)		Paragon Timer (15 minute)	
Start Relay	85-0313-3	Used Up to SN 0-06446	24-0607-1
Start Capacitor	† 85-0314-3	Mounting Track, Solid State Timer	44-0784-1
Run Capacitor	† 85-0439-3	Solid State Timer	† 24-0623-9
Start Capacitor End Cap	85-0308-3	Time Delay Relay 70 Second Delay	24-0617-1
<b>Copelaweld Compressor</b> , Single Phase:		Solenoid Valve (Liquid line)	
(YSB4-0150-CFV-205)		Used Up to SN 0-11692	24-0401-1
Start Relay	15-0283-1	Fan Cycling Switch	No Longer Available
Start Capacitor	† 85-0316-3	Control Panel Front Cover	
Run Capacitor	15-0284-1	Used Up to SN 0-11692	No Longer Available
Capacitor Strap	85-0309-3	Control Panel Front Cover Started	
Compressor Grommet	† 85-0306-9	with SN 0-11693	No Longer Available
Single Phase Contactor with Eyelet		Solenoid Hot Gas Valve Coil (Sporlan)	
Connections	24-1004-1	Up to SN ACO 100	No Longer Available
Single Phase Contactor Using		Hot Gas Solenoid Valve	† 24-0424-3
Quick Connect Terminals	† 24-1016-9	Hot Gas Solenoid Coil Only (Sporlan)	No Longer Available
<b>3 Phase Compressor</b>	† 76-2044-3	Hot Gas Solenoid Coil Only (Alco)	† 24-0448-3
3 Phase Contactor	No Longer Available	<b>EVAPORATOR ASSEMBLY GROUP</b>	
3 Phase Contactor with Auxiliary Switch —		Front Evaporator Assembly (Dice)	† 680301-9
Starting with SN 0-11693	24-1013-3	Rear Evaporator Assembly (Dice)	† 680302-9
Drier	† 89-3027-9	Front Evaporator Assembly	
Water Regulating Valve (Water-cooled only)	† 83-7203-3	(Regular)	No Longer Available
Condenser Water-Cooled		Rear Evaporator Assembly	
Up to SN 0-03467	No Longer Available	(Regular)	No Longer Available
Condenser Air-Cooled Starting		Front Evaporator Assembly (Half dice)	† 680311-9
with SN 0-03467	No Longer Available	Rear Evaporator Assembly (Half dice)	† 680312-9
Condenser Assembly (includes fan motor assembly)		Evaporator Top Grid Extrusion	† 15177-1
Starting with SN 0-03467	No Longer Available	Evaporator Bottom Grid Extrusion	No Longer Available
Condenser Water-Cooled Starting		Evaporator Left Hand End Grid Extrusion	† 626001-4
with SN 0-03467	† 11-6511-7	Nut for Extrusion	† 54-2878-9
Access Service Valve 2-High and Low Side		Evaporator Right Hand Grid Extrusion	† 626002-4
(Starting with SN 0-11693)	† 13-7305-9	<b>WATER CIRCUIT GROUP</b>	
Fan Motor (Upper and lower)	24-1207-1	Water Distribution Tube Assembly	† 652063-4
Fan Motor Bracket	† 656861-4	Water Tube Clip	606161-4
Fan Blade	24-0189-1	Water Supply Tube 1-3/8" OD	
Fan Shroud Weldment	604871-4	(From water pump to distribution tube)	† 44-2036-3
Suction Valve Seal (Copeland and		Water Inlet Tube 1-3/8" OD	
Tecumseh Compressor)	No Longer Available	(From 90° elbow to distribution tube)	† 44-2036-3
Suction Valve Only (Copeland and Tecumseh		90° PVC Elbow	13-9002-1
Compressor) Replacement Kit	07-0050-3	Water Sump Trough Assembly	† 681203-4
Discharge Valve Only	No Longer Available	Sump Hold Down Clip	11070-1
Discharge Valve Seal	15-0278-1	Water Curtain	† 681332-4
Receiver (Water-cooled units only)	† 12-0022-1	Left Hand Water Curtain Hook (Metal bracket)	609711-4
Receiver (Air-cooled units only)		Right Hand Water Curtain Hook	
Used Up to SN 0-11693	12-0003-1	(Metal bracket)	609721-4
Base Valve (Service) Used Up to SN 0-11692	13-7302-1	Water Pump 50/60 Cycle	† 14-8027-9
<b>CONTROL GROUP</b>		Float Valve Assembly	† 83-6904-9
Main Toggle Switch	† 23-0084-9	Float Valve Bracket	† 620281-4
Manual Harvest Switch Starting		"Y" Type Water Strainer Inlet	† 12-6003-3
with SN 0-14322	23-0097-3	Thumb Screw for Harvest Rack, Sump Clip,	
Bin Microswitch (Damper Door)	† 23-0079-9	Ice Chute Clip	† 50-0001-3
Bin Switch Bracket	11089-1	Overflow Elbow	43-0109-1
Thermodisc	† 23-5103-3	Water Inlet Assembly (Brass)	30110-1
Low Pressure Cut-in (Ranco)	† 23-5105-3	Water Supply Tubing	
High and Low Pressure Cut-out		(1/4" OD polyethylene tube)	44-2029-1
(Ranco Dual) Used Up to SN 0-11692	23-5508-1	Water Inlet Tube Insert	
		(Supply tubing float valve end)	† 44-2030-9

† Refer to Cross Reference Guide

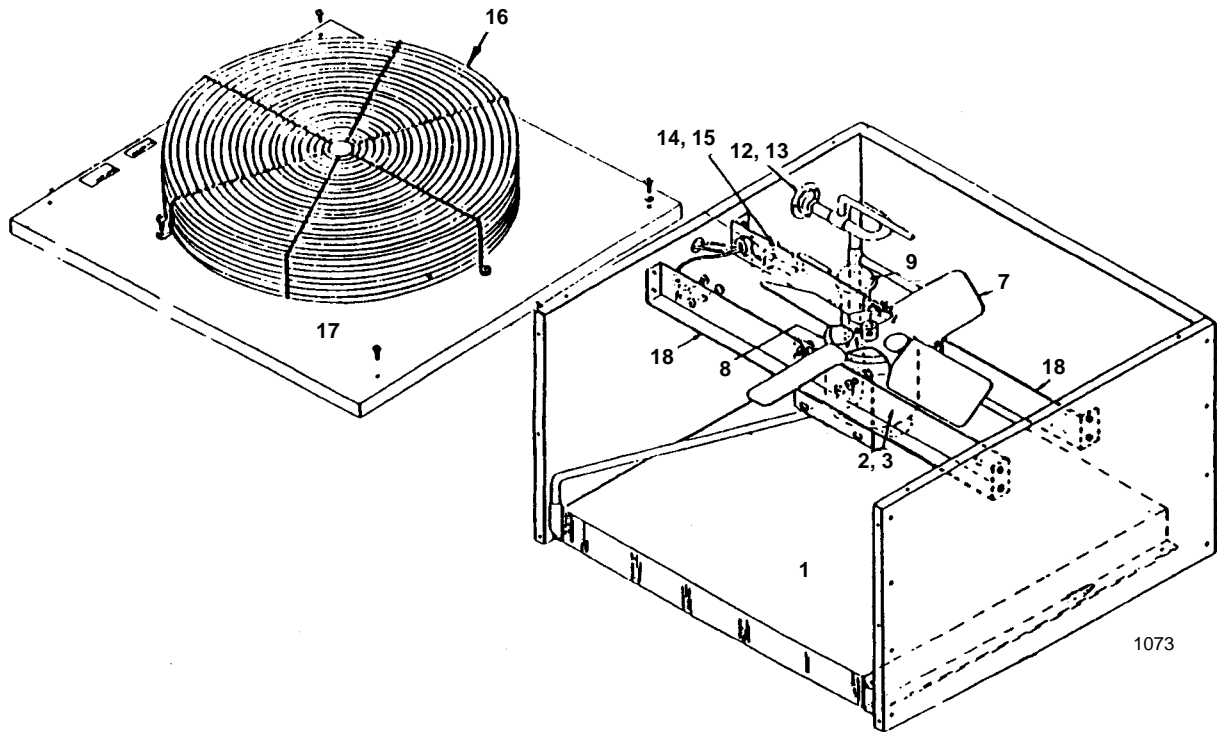
## A1100, CONTINUED

<b>ICE CHUTE GROUP</b>	<b>PART NO.</b>	<b>CABINET GROUP</b>	<b>PART NO.</b>
Rear Ice Chute Assembly Up to SN 0-11692 . . . . .	652632-4 & † 681741-4	<b>(Starting with SN 0-04244) PAINTED</b>	
Rear Ice Chute Assembly Starting with SN 0-11693 & Up to SN 81020032 . . . . .	652632-4	Top Cover . . . . .	No Longer Available
Harvest Rack — without Tabs . . . . .	000000150	Left Hand End Panel Up to SN 0-11692 . . . . .	No Longer Available
Front Ice Chute (For use with harvest rack 000000150) . . . . .	No Longer Available	Right Hand End Panel . . . . .	† 601383-4
Rear Ice Chute (For use with harvest rack 000000150) . . . . .	No Longer Available	Rear Panel . . . . .	No Longer Available
Harvest Rack — with Tab & Slotted Mounting Hole . . . . .	613491-4	Front Panel . . . . .	No Longer Available
Front Ice Chute (For use with harvest rack with tabs). . . . .	656462-4	Left Hand End Panel Only, (Starting with SN 0-11693) . . . . .	No Longer Available
Rear Ice Chute (For use with harvest rack 613491-4) . . . . .	656472-4	<b>CABINET GROUP (Starting with SN-AH0100)</b>	
Harvest Rack — with Tab & Round Mounting Hole For 1/4 Turn Fastener . . . . .	† 000000115	<b>SPLIT PANELS PAINTED</b>	
Nylon Rod Bearing For Ice Chute . . . . .	† 37-3005-9	Top Cover . . . . .	No Longer Available
Damper Door Assembly Up to SN 81020032 † 681741-4		Left Hand Front Panel . . . . .	No Longer Available
Damper Door Assembly After SN 81020032 682621-4		Right Hand Louver Front Panel . . . . .	No Longer Available
Nylon Rod Bearing for Damper Door . . . . .	† 37-3006-9	Right Hand Rear Panel . . . . .	No Longer Available
Ice Chute Clip (Clip thumb screw, See Water Circuit Group on Page 24) Up to SN 0-11692 . . . . .	No Longer Available	Left Hand Louver Rear Panel . . . . .	No Longer Available
<b>*BY 1100 MODELS</b>		Left Hand End Panel . . . . .	No Longer Available
Bin Thermostat . . . . .	23-5004-1	Right Hand End Panel . . . . .	† 601383-4
Toggle Switch . . . . .	No Longer Available	Hex Head Mounting Screw . . . . .	† 51-2464-9
Bracket Assembly . . . . .	No Longer Available	<b>STAINLESS STEEL</b>	
Thumb Screws, Thermostat Bulb . . . . .	† 50-0001-3	Top Cover . . . . .	No Longer Available
Space Bar . . . . .	609121-4	Right Hand End Panel . . . . .	No Longer Available
<b>*REMOTE CUBER MODELS</b>		Rear Panel . . . . .	No Longer Available
AR-1190N, AD-1192N, AY-1194N & BY-1194NS (Model Numbers used Starting with SN 0-13350); AY-1190N (Model No. used up to SN 0-13350)		Front Panel . . . . .	No Longer Available
Thermodisc . . . . .	† 23-5103-3	Left Hand Panel . . . . .	No Longer Available
Head Pressure Control . . . . .	76-2236-3	Thumb Screw for Front Panel . . . . .	† 50-1205-9
Headmaster Relocation Package . . . . .	† 76-2237-3	<b>CABINET GROUP (Starting with SN-AH0100)</b>	
Receiver . . . . .	† 76-2327-3	<b>SPLIT PANELS STAINLESS STEEL</b>	
Low Pressure Cut-out . . . . .	23-5514-3	Top Cover . . . . .	No Longer Available
High Pressure Cut-out . . . . .	23-5511-3	Left Hand Front Panel . . . . .	No Longer Available
Solenoid Valve Coil (Liquid line pump down) Up to SN AB0100 . . . . .	24-0412-1	Right Hand Louver Front Panel . . . . .	No Longer Available
Solenoid Valve Body (Liquid line pump down) Up to SN AB0100 . . . . .	No Longer Available	Right Hand Rear Panel . . . . .	No Longer Available
Solenoid Valve Assembly (Liquid line pump down) Starting SN AB0100 . . . . .	† 24-0453-3	Left Hand Louver Rear Panel . . . . .	No Longer Available
Solenoid Valve Coil Only (Starting SN AB0100) . . . . .	No Longer Available	Left Hand End Panel . . . . .	No Longer Available
Solenoid Valve Body Only (Starting SN AB0100) . . . . .	No Longer Available	Right Hand End Panel . . . . .	No Longer Available
<b>CABINET GROUP</b> <b>(Used Up to SN 0-04244) PAINTED</b>		<b>McDONALD'S SPLIT PANELS</b> <b>(Starting with SN-AH0100)</b>	
Front Panel Trim . . . . .	† 81-3487-3	Left Hand Front Panel . . . . .	No Longer Available
Front Panel Series Trim Assembly . . . . .	No Longer Available	Right Hand Louver Front Panel . . . . .	No Longer Available
Foam Tape (For mounting front panel trim) . . . . .	No Longer Available	All Other Panels Same As Other Stainless Steel Models.	
Top Cover . . . . .	† 15628-3	Right Hand Trim for McDonalds. . . . .	No Longer Available
Left Hand End Panel Assembly . . . . .	No Longer Available	Left Hand Trim for McDonalds . . . . .	No Longer Available
Right Hand End Panel Assembly . . . . .	No Longer Available	<b>*50 CYCLE MODELS ONLY</b>	
Rear Panel Assembly . . . . .	No Longer Available	Compressor . . . . .	No Longer Available
Front Panel Assembly . . . . .	No Longer Available	<b>Components for Copeland Compressor</b>	
		Start Relay . . . . .	15-0296-1
		Run Capacitor . . . . .	No Longer Available
		Start Capacitor . . . . .	† 85-0422-3
		<b>Components for Tecumseh Compressor</b>	
		Start Relay . . . . .	85-0313-3
		Start Capacitor . . . . .	† 85-0314-3
		Run Capacitor . . . . .	† 85-0439-3
		Water Pump . . . . .	† 14-8027-9
		Condenser Fan Motor . . . . .	24-1214-1

\* Use the same parts as previously listed for the standard 1100 cuber with the exception of the changes or additions listed under the special model number.

† Refer to Cross Reference Guide

# AC1195 REMOTE CONDENSER



	<b>PART NO.</b>
1 Air Condenser . . . . .	† 88-5062-9
2 Fan Motor, 60 Hz For Dual Bracket Mount* . . . . .	† 76-2941-3
3 Fan Motor, 50 Hz For Dual Bracket Mount* . . . . .	† 76-2941-3
4 Fan Capacitor For Dual Bracket Fan Motor (Emerson) . . . . .	85-0335-3
4 Fan Capacitor For Dual Bracket Fan Motor (Magnatec) . . . . .	85-0352-3
5 Fan Capacitor For Single Bracket Fan Motor . . . . .	24-1502-3
6 Fan Blade For Single Bracket Fan Motor . . . . .	24-1604-3
7 Fan Blade For Dual Bracket Fan Motor . . . . .	24-1611-3
8 Rain Slinger . . . . .	24-1505-3
9 Headmaster Control (See item 21 below) . . . . .	† 83-6804-9
10 Toggle Switch Up to SN 82020001 . . . . .	No Longer Available
11 Toggle Switch After SN 82020001 . . . . .	No Longer Available
12 Coupling Assembly, Male 1/2" . . . . .	† 83-6035-3
13 Mounting Flange 1/2" . . . . .	83-6006-3
14 Coupling Assembly, Male 3/8" . . . . .	† 83-6034-3
15 Mounting Flange 3/8" . . . . .	83-6005-3
16 Fan Grill . . . . .	34-0064-3
17 Top Cover . . . . .	† 601775-1
18 Base Bracket . . . . .	† 601768-1
19 Female Coupling Kit (Not shown) . . . . .	07-0062-3
20 Valve Access Fitting Core . . . . .	† 13-7305-9
21 Headmaster Relocation Kit (Used for units originally built with headmaster in ice machine to relocate to condenser) . . . . .	† 76-2237-3

\*If unit has a fan motor mounted on a single bracket, use replacement kit #76-1984-3 for 60 Hz unit (#76-1985-3 for 50 Hz). This kit includes new fan motor, capacitor, blades, dual brackets and all necessary hardware for installation.

## AC-1195A REMOTE CONDENSER S/N 005522 TO 006715 ONLY

Fan Motor (2 per) . . . . .	24-1207-1
Fan Blade (2 per) . . . . .	24-0189-1
Fan Motor Grill & Bracket (2 per) . . . . .	34-0063-3

† Refer to Cross Reference Guide