

Installation Instructions



Model **1950** & **1950** HVHZ4 Viewing Window

99-15629-I001
April 2015



Anthony Locations

North America Locations

Sylmar, CA

Corporate Offices
12391 Montero Avenue
Sylmar, CA 91342
Phone : (818) 365-9451
Toll Free From :
United States : (800) 772-0900
Canada : (800) 336-8825
Fax : (818) 365-2441

Madison, GA

1101 Sovis Rd
Madison, GA 30650
Phone: (706) 342-9300
Fax: (706) 342-9303

Maitland, FL

Anthony Perception Group
555 Winderley Place, Suite 300
Maitland, FL 32751
Phone: (407) 571-6895
Fax: (818) 365-2441

Conyers, GA

709 Sigman Road NE
Conyers, GA 30013
Phone: (678) 607-3800
Fax: (678) 607-3700

International Location

Shanghai, China

No.280, Lane
928, Zhennan Road, Shanghai
China 200331
Phone: +86 216 284 8855
Fax: +86 216 284 9513

Safety and Warnings

FOR YOUR SAFETY

Read and observe all **CAUTIONS** and **WARNINGS** shown throughout these instructions.

While performing installations described; gloves, safety glasses or goggles should be worn.



Prepare Electrical Wiring

Electrical requirements:

This appliance must be supplied with 120V, 60 Hz, and connected to an individual and properly grounded branch circuit, protected by a 15 or 20 ampere circuit breaker or time delay fuse.



Grounding Instructions – Cable Direct

This lighting system must be connected to a grounded metal, permanent wiring system, or an equipment grounding connector must be run with the system conductors and be connected to the equipment grounding terminal or lead on the lighting fixture.



BEFORE YOU BEGIN

Read instructions completely and carefully.



WARNING:

TO REDUCE THE RISK OF FIRE, ELECTRICAL SHOCK OR INJURY, OBSERVE THE FOLLOWING:

1. Use this unit in the manner intended by the manufacturer.
2. Before servicing or altering, switch power off.



For use inside a commercial refrigeration case with packaged foods only.

Model 1950 Window Installation Instructions

Model 1950 Installation Instructions 5

Hurricane Window Installation

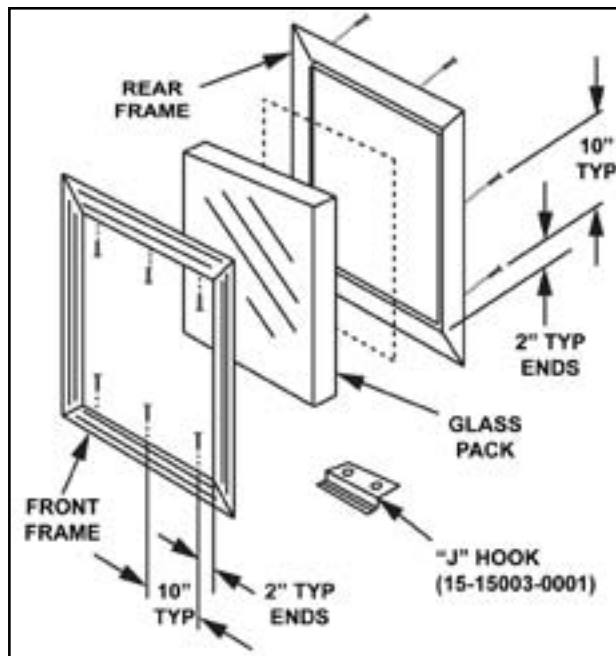
Model 1950 HVHZ4 Installation Instructions..... 8

Revision History 13

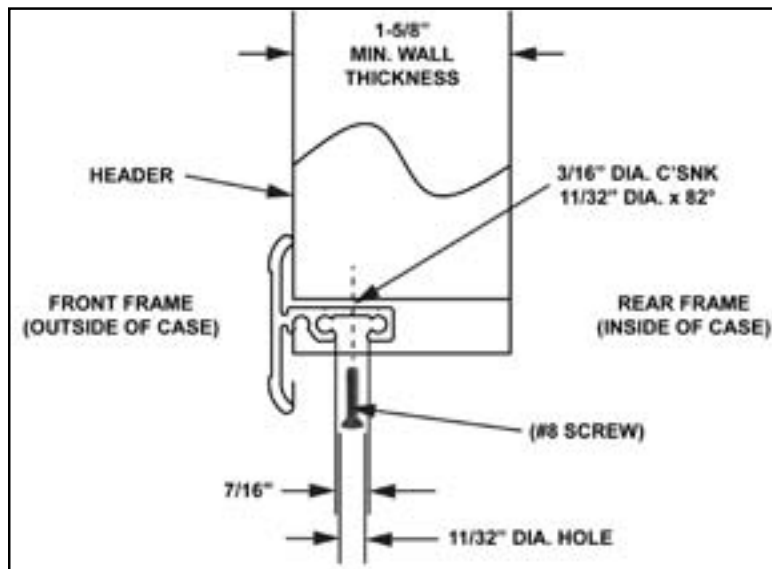
Model 1950 Window Installation Instructions

Model 1950 Installation Instructions

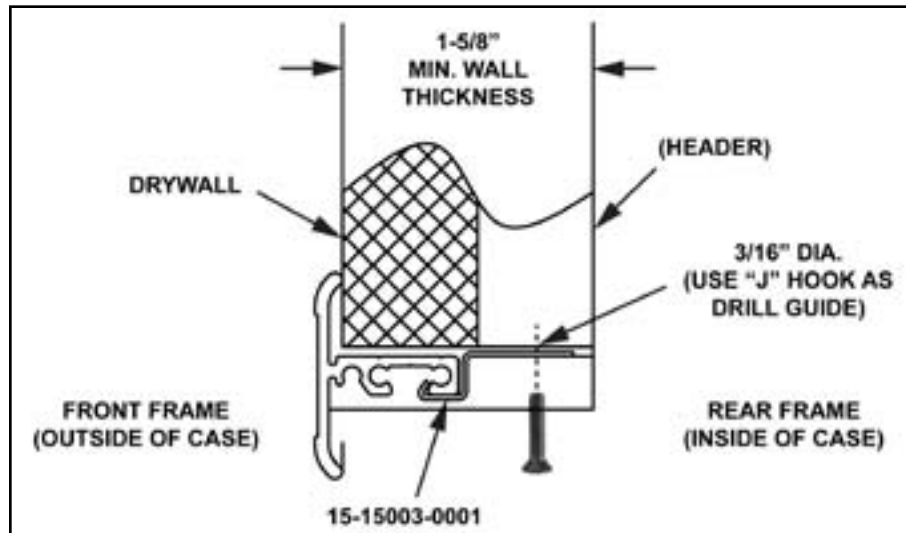
1. Check net opening before installation. Net opening size for both height and width equals frame size plus 1/8".
2. Position the front (customer side) frame first. Recommended installation screw locations to be 2" from each corner and equally distanced about 10" apart (6" for Hurricane pattern).



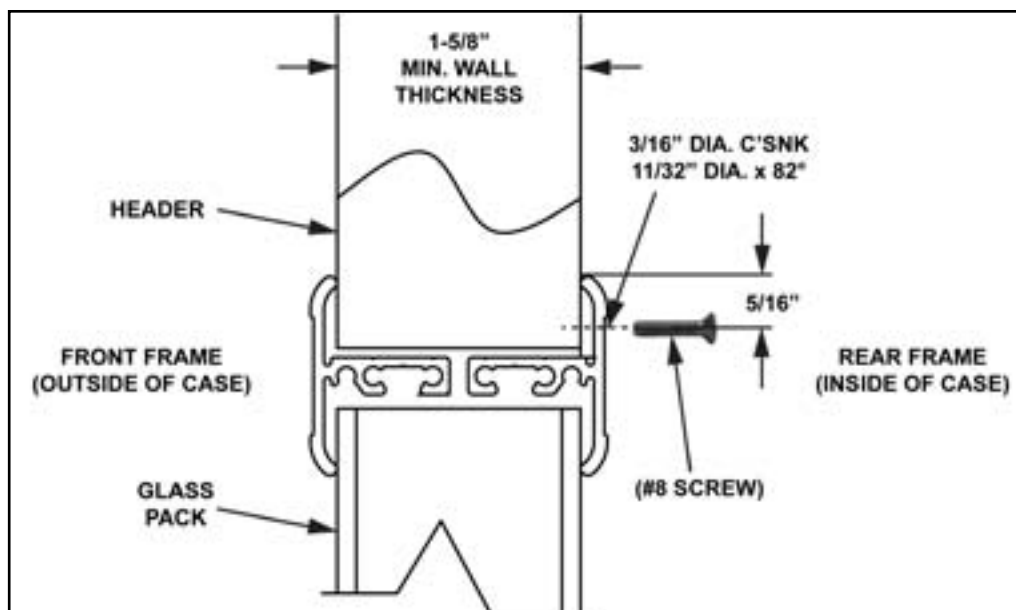
3. For non-drywall installation drill a 11/32" diameter hole through the extrusion legs to clear a #8 screw head. Drill a 3/16" diameter hole, countersink 11/32" diameter X 82° through the extrusion wall only. Secure with #8 flat head screws as shown.

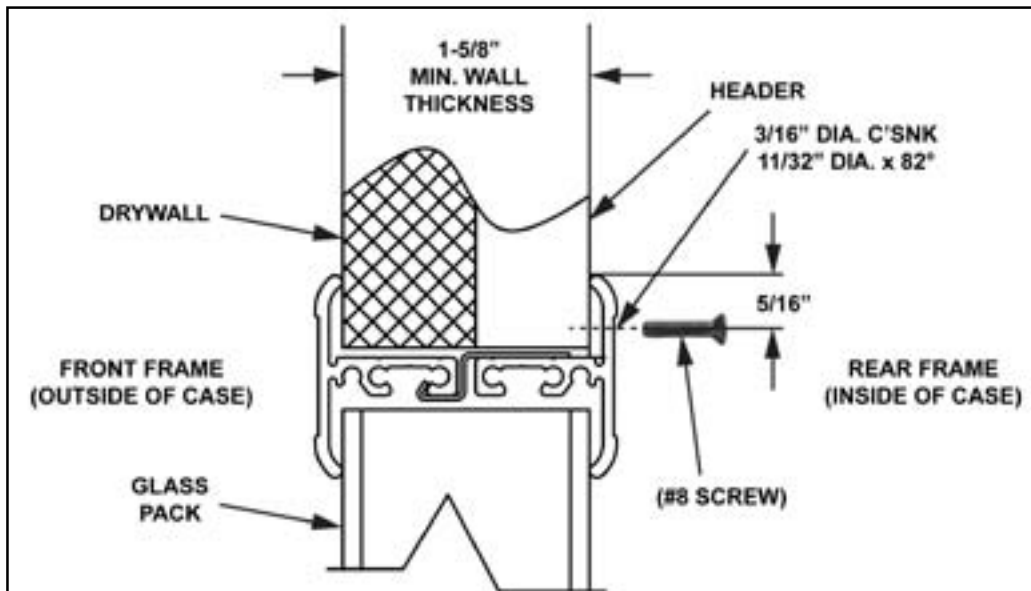


4. For installations with drywall cladding use “J” hooks (Anthony part no. 15-15003-0001). One “J” hook per each foot of perimeter is recommended. Drill a 3/16” diameter hole through the drywall using the holes on the “J” hooks for location. Secure the hooks with #8 flat head screws.

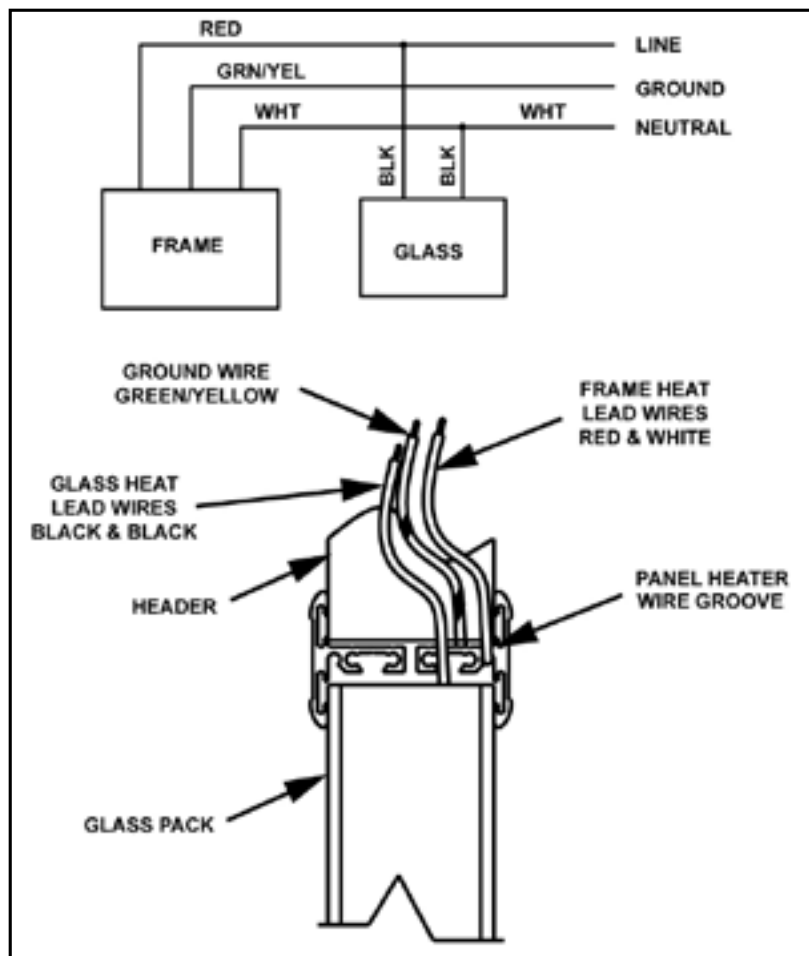


5. Caulk around the entire perimeter of the front frame to assure an airtight seal.
6. Place the glass pack in position from inside. (See Figures in Step 8.)
7. Caulk around the entire perimeter of the glass.
8. Place the rear frame around the glass pack. Drill 3/16” diameter hole, countersink 11/32” diameter x 82° on the rear frame extrusion as shown and secure the rear frame into place with #8 flat head screws. See Figures in Step 8 for recommended installation screw locations. (Installation screws to be provided by the installer.)





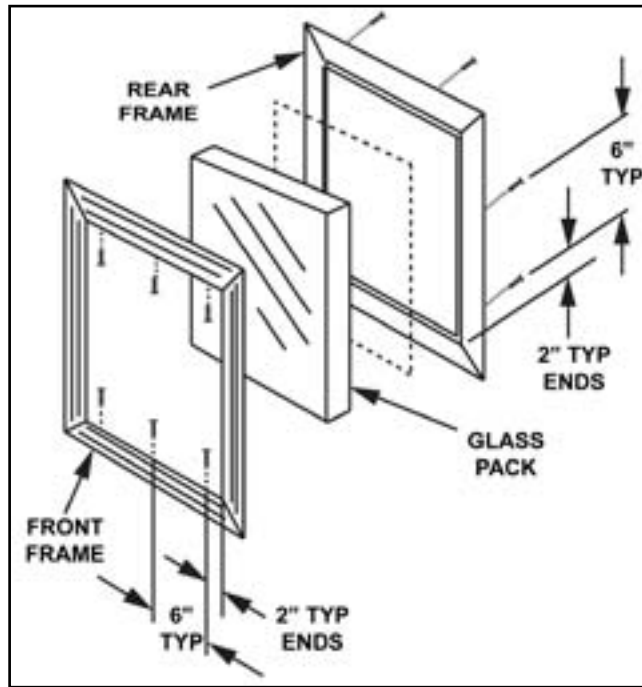
9. For low temperature applications: glass pack and front frame perimeter are heated.



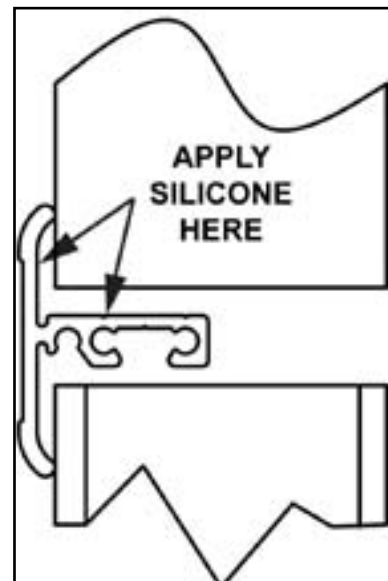
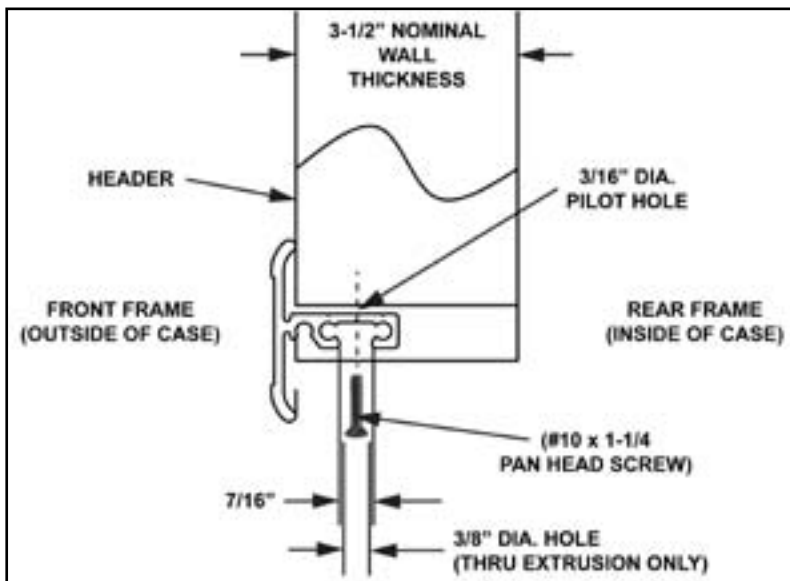
Hurricane Window Installation

Model 1950 HVHZ4 Installation Instructions

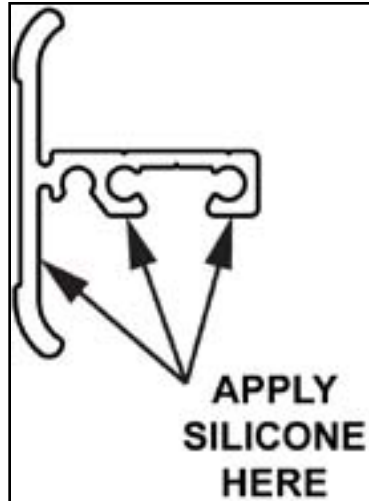
1. Check net opening before installation. Net opening size for both height and width equals frame size plus 1/8".
2. Position the front (Ambient or Outside side) frame first. Recommended installation screw locations to be 2" from each corner and equally distanced about 6" apart.



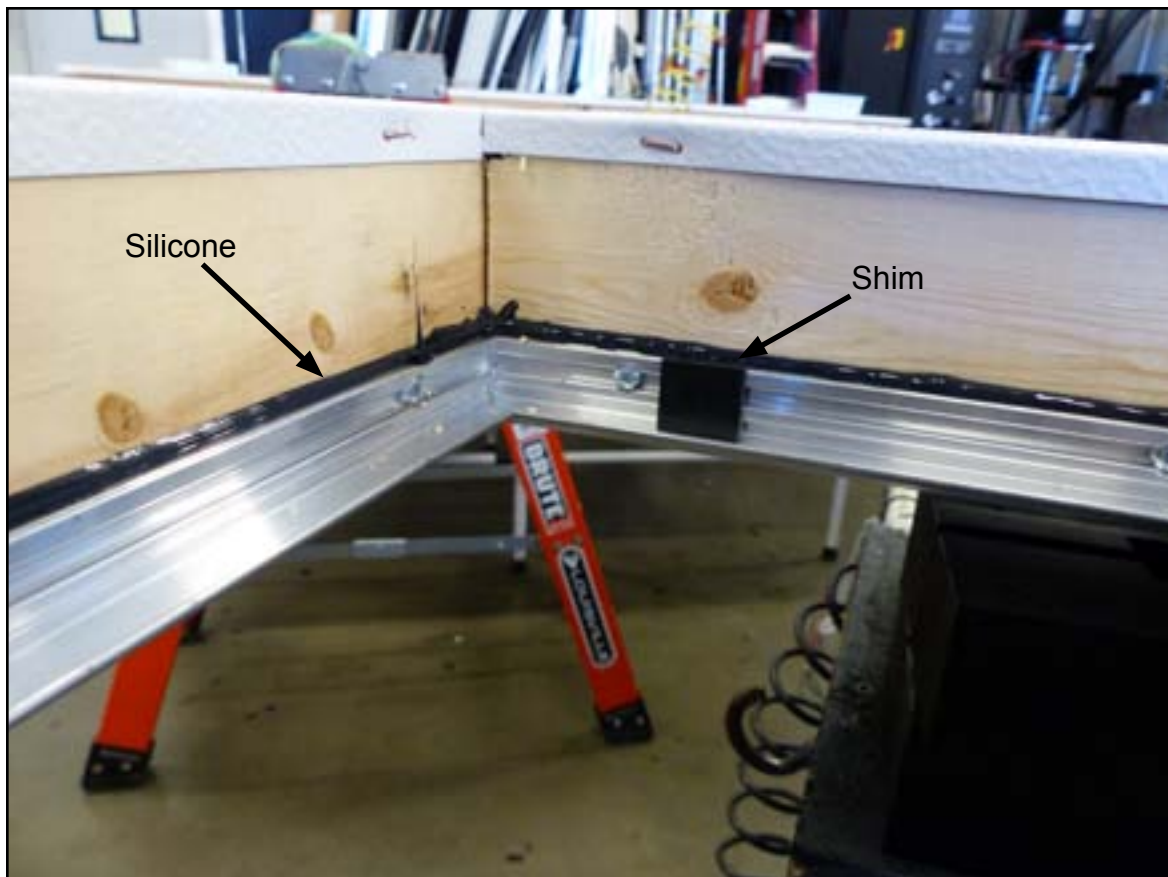
3. Start installation by drilling a 3/8" diameter hole through the extrusion legs to clear a #10 screw head. Pilot drill a 3/16" diameter hole through the extrusion wall only.



4. Apply silicone Dow Corning 995 around the entire outside perimeter, the surface that contacts against the wood, of the front frame to assure an airtight seal. Secure the frame into place with #10 pan head screws. See figure #1 for recommended installation screw locations.



5. Apply silicone Dow Corning 995 around the entire inside perimeter, the surface that contacts against the glass unit, of the front frame to assure an airtight seal.



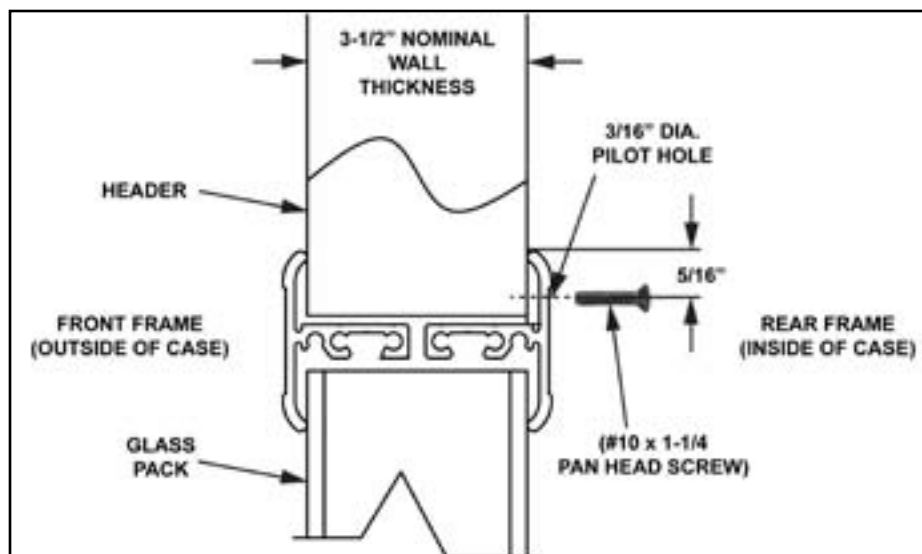
6. Place the glass pack in position from inside and shim the gap between the glass unit and the wood frame.



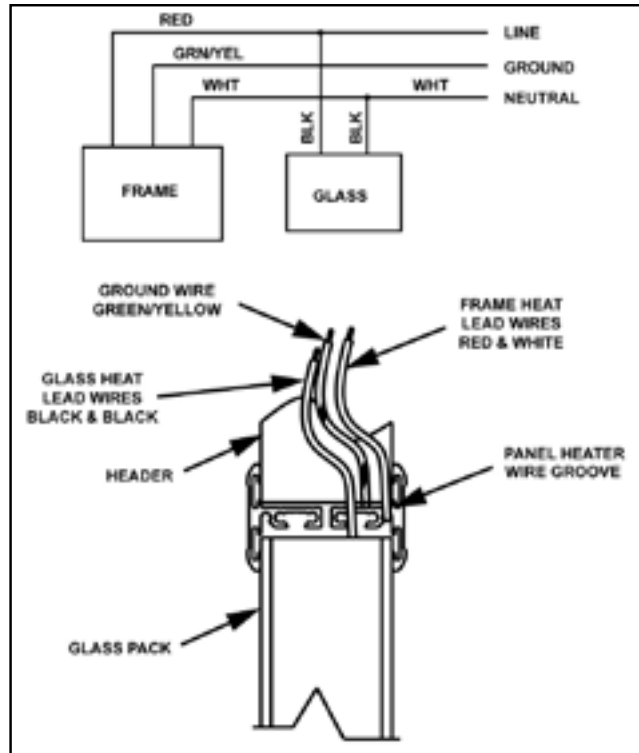
7. Divide the distance between the corners into three equal lengths and mark locations. Apply a liberal amount, several pumps, of silicone Dow Corning 995 at these positions between the edge of the glass unit and the wood frame.



8. Before placing the rear frame in position, drill $3/16$ " diameter holes in the extrusion as shown. Apply silicone Dow Corning 995 around the entire perimeter of the back frame to assure an air tight seal between the frame and wood and frame and glass unit.



9. For low temperature applications: glass pack and front frame perimeter are heated.



Revision History

REV	ORIGINATOR	DESCRIPTION OF CHANGE	DATE
A		Initial Release	10/09/2007
B	S. Fisher	Reformat	03/19/2013
C	M. Sandnes	Addition of 1950 HVHZ4 Window	04/14/2015