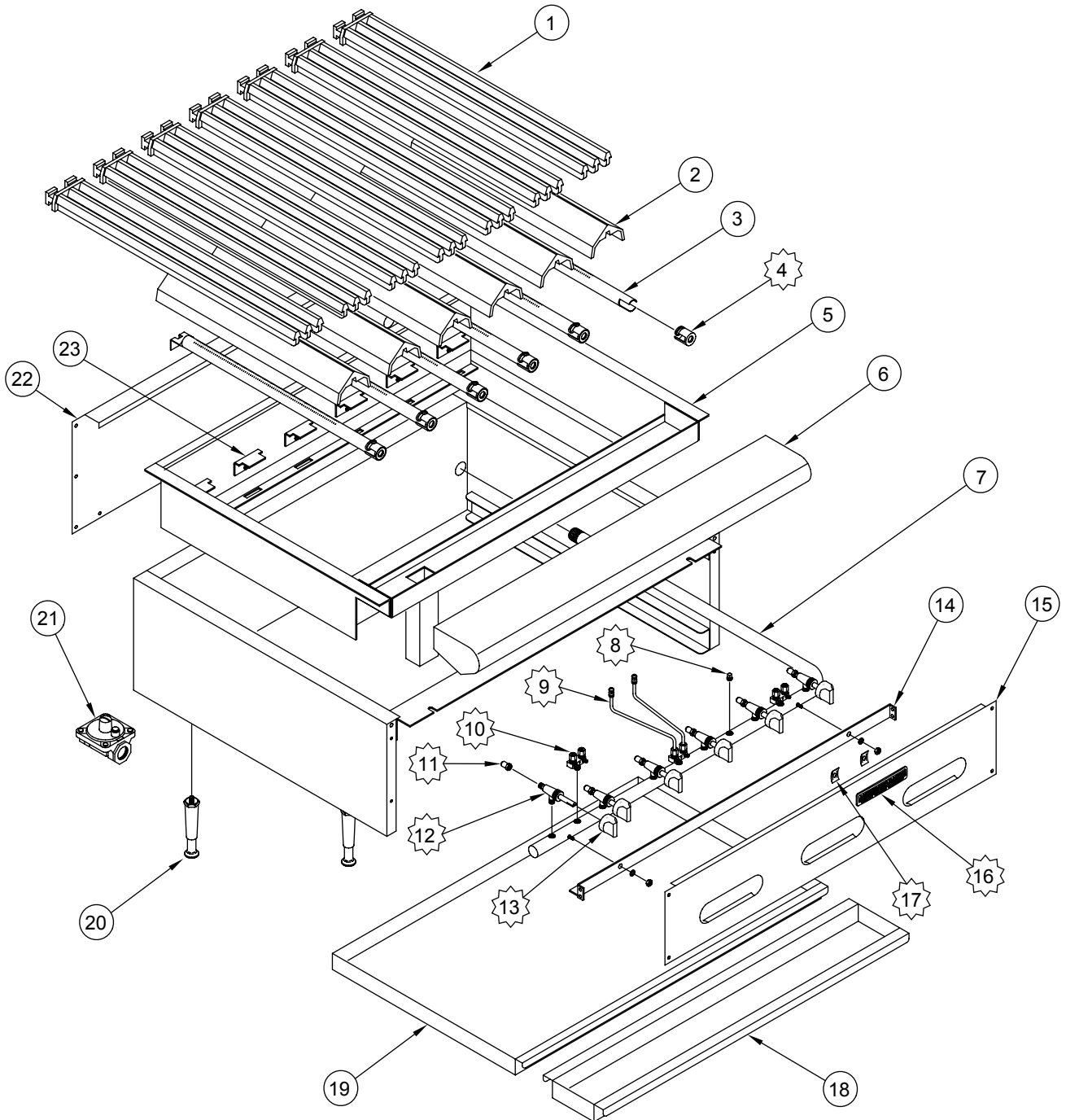


# ARRB



# ARRB

ITEM NO.	PART NO.	DESCRIPTION
1	A17001	Grate, Top 3 Bar 3" x 21" (350) 10451
2	A17004	Cover, Radiant 19.5" Long ARRB 10452
3	A14011	Burner, Broiler ARRB, AERB, ARKB
4	A14036	Air Shutter, 1"
7	A15025	Manifold, ARRB-24" Radiant Broiler 3014024 Counter Top (10)
	A15002	Manifold, ARRB-30" Radiant Broiler 3014-30 Counter Top
	A15019	Manifold, ARRB-36" Radiant Broiler Counter Top
	A15049	Manifold, ARRB-48" Radiant Broiler 3014-48 Counter Top (5)
	A15052	Manifold, ARRB-60" Radiant Broiler 3014-60 Counter Top
8	A23010	Plug, 1/8" Pipe Hex Black All Manifolds
9	A29203	Pilot, Tip Assembly ARRB, ARRB, ARKB 10242
10	A29301	Valve, Dual Gas Pilot 1/8 x 3/16C 10432
11	A29004	Hood, Orifice #50 1/2" Brass 11050 Nat Gas
	A29008	Hood, Orifice #57 1/2" Brass 11057 LPG Gas
12	A80109	Valve, Gas Manual On/Off UL 10419, AR, ARKB, ARRB, AECB
13	A32001	Knob, Gas On/Off Glossy Black Flat Down
16	A38000	Name Plate, American Range 8" 10499 Quality Commercial Chrome
17	A44003	Nut, Speed #6 Push Black 10601
18	A99646	Grease Can, 24AR4RB/ARRB-24
	A99647	Grease Can, 36" Radiant Broiler AR Range/ ARRB-36
	A99648	Grease Can, 48AR8RB/ARRB-48 3017-48
19	A99653	Crumb Tray, 24AR4RB/ARRB-24 3018-24
	A99654	Crumb Tray, 36AR6RB/ARRB-36 3018-36
	A99655	Crumb Tray, 48AR8RB/ARRB-48 3018-48
20	A35011	Leg, 4" Adjustable Flanged NSF Stainless
	A35100	Leg Set (4) 4" Adjustable w/Flange
21	A80110	Valve, Pressure Regulator 3/4 10480 Nat Gas Set 5.
	A80011	Valve, Pressure Regulator 3/4 10481 LPG Gas Set 10.0

subject to change without notice.

