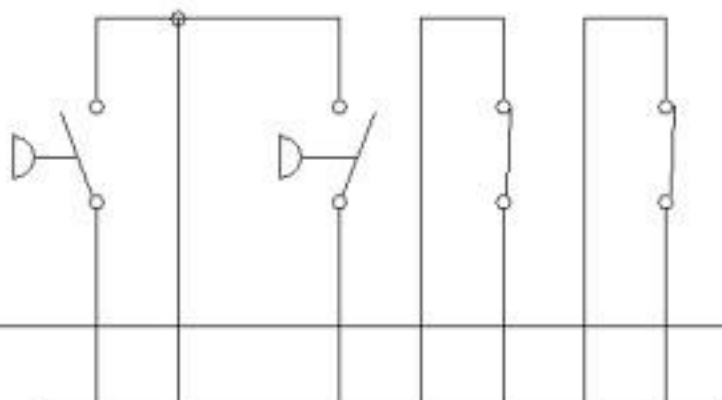


HIGH PRESS. SWITCH

LOW PRESS. SWITCH

EVAP. D. MICRO SWITCH

DOOR MICRO SWITCH



PR.H.

PR.L.

EV. DOOR

DOOR

EL. BOARD

PC

PRINTER



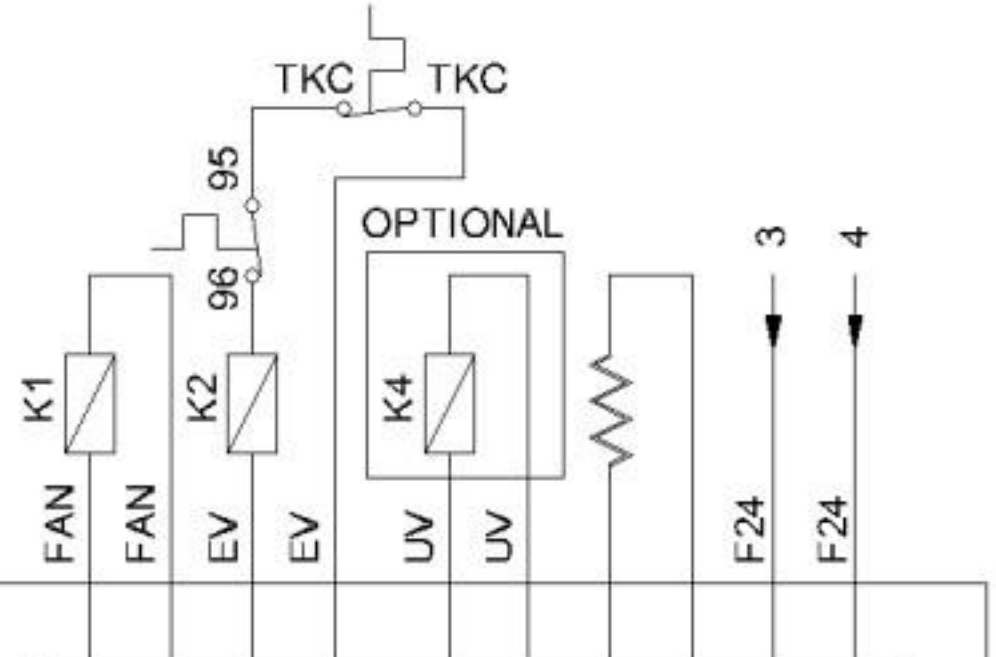
12VAC

F12

F12

1

2



FAN

FAN

EV

EV

UV

UV



D.HT

F24

F24

24VAC

AIR 1

R

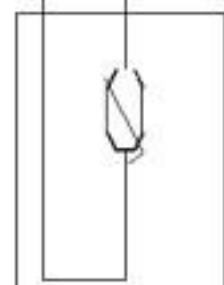
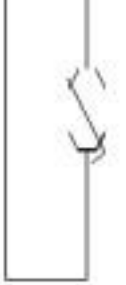
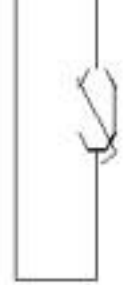
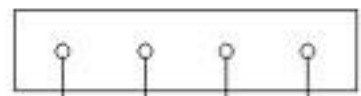
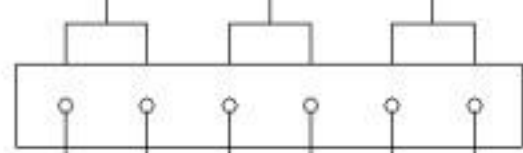
FOOD PROBES

Y

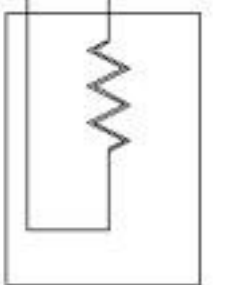
HR

PROBE HEATER

HY



OPTIONAL



OPTIONAL

OPTIONAL

K4

UV

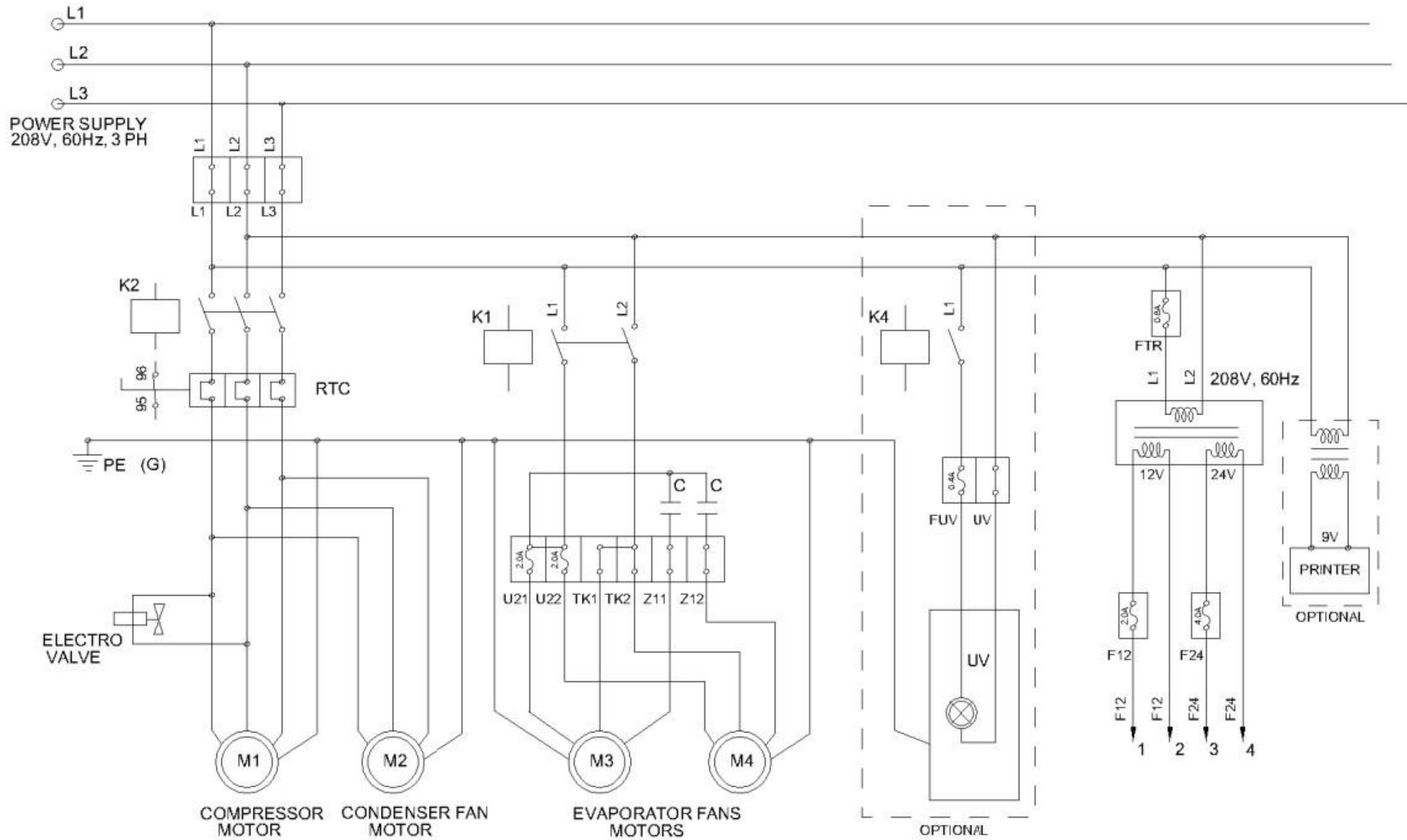
UV

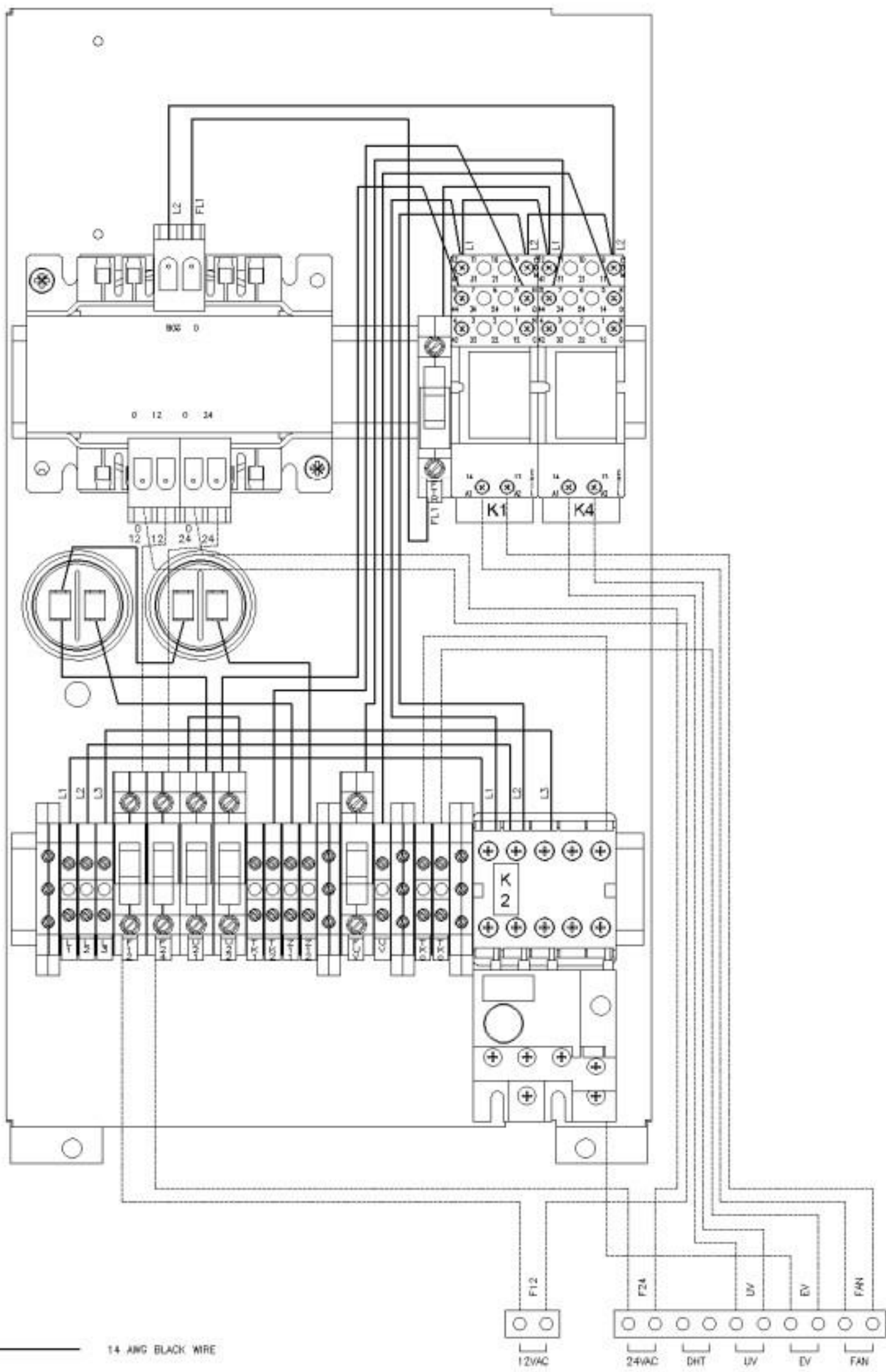
TKC

TKC

95

96





14 AWG BLACK WIRE

16 AWG RED WIRE

F12  
12VAC

F24  
24VAC

UV  
UV

EV  
EV

FAN  
FAN