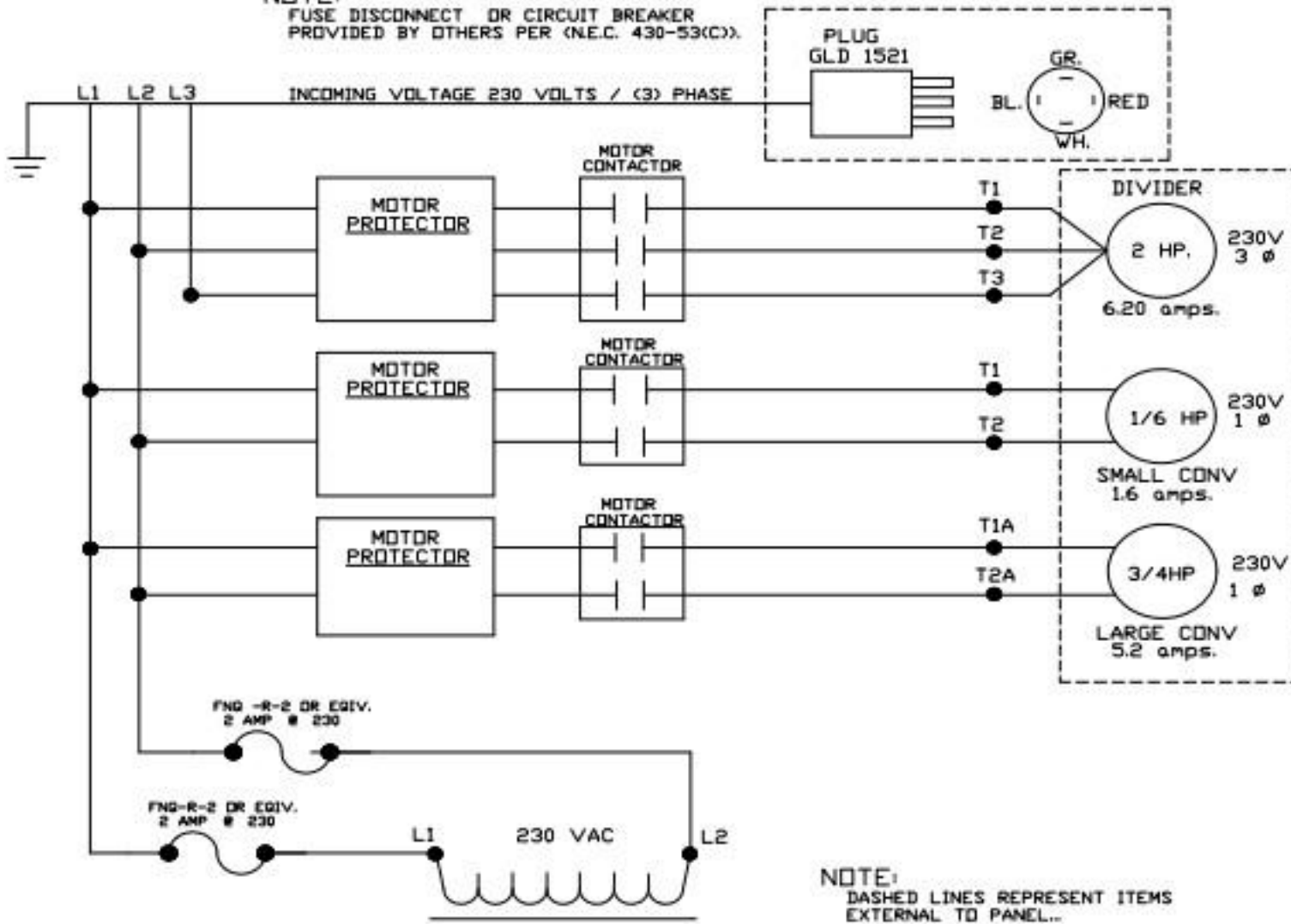
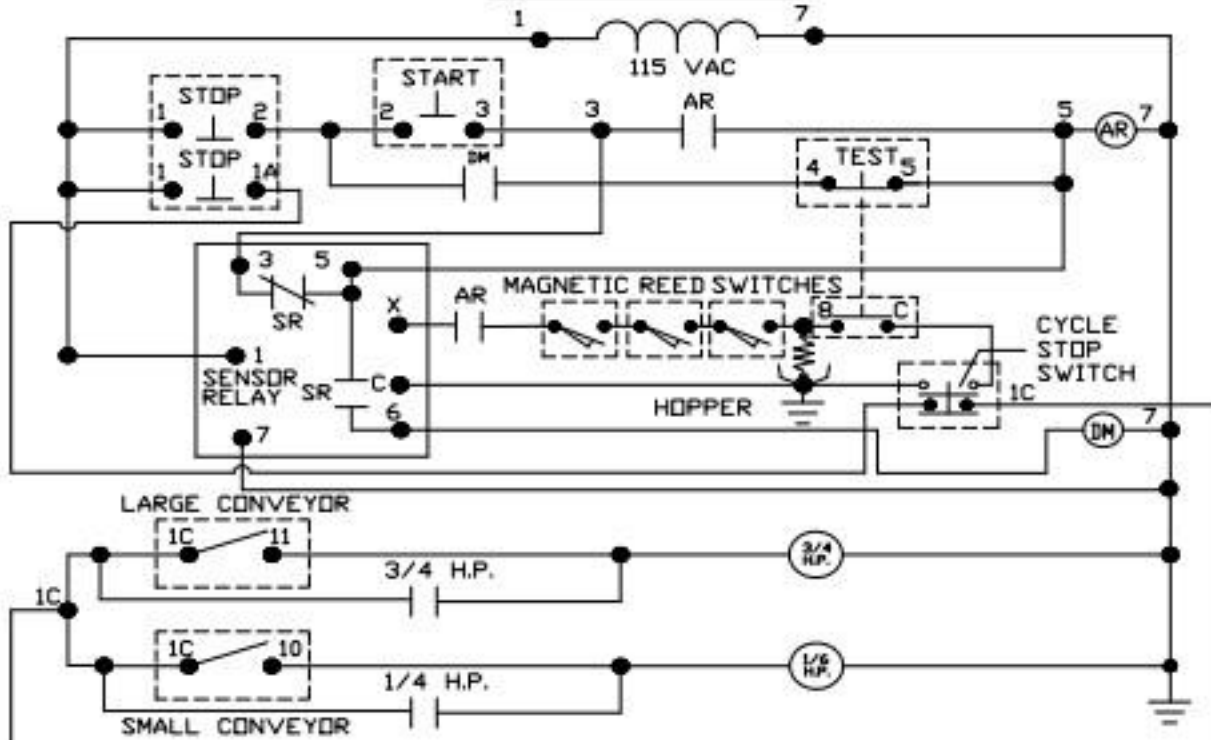


NOTE:
FUSE DISCONNECT OR CIRCUIT BREAKER
PROVIDED BY OTHERS PER (N.E.C. 430-53(C)).



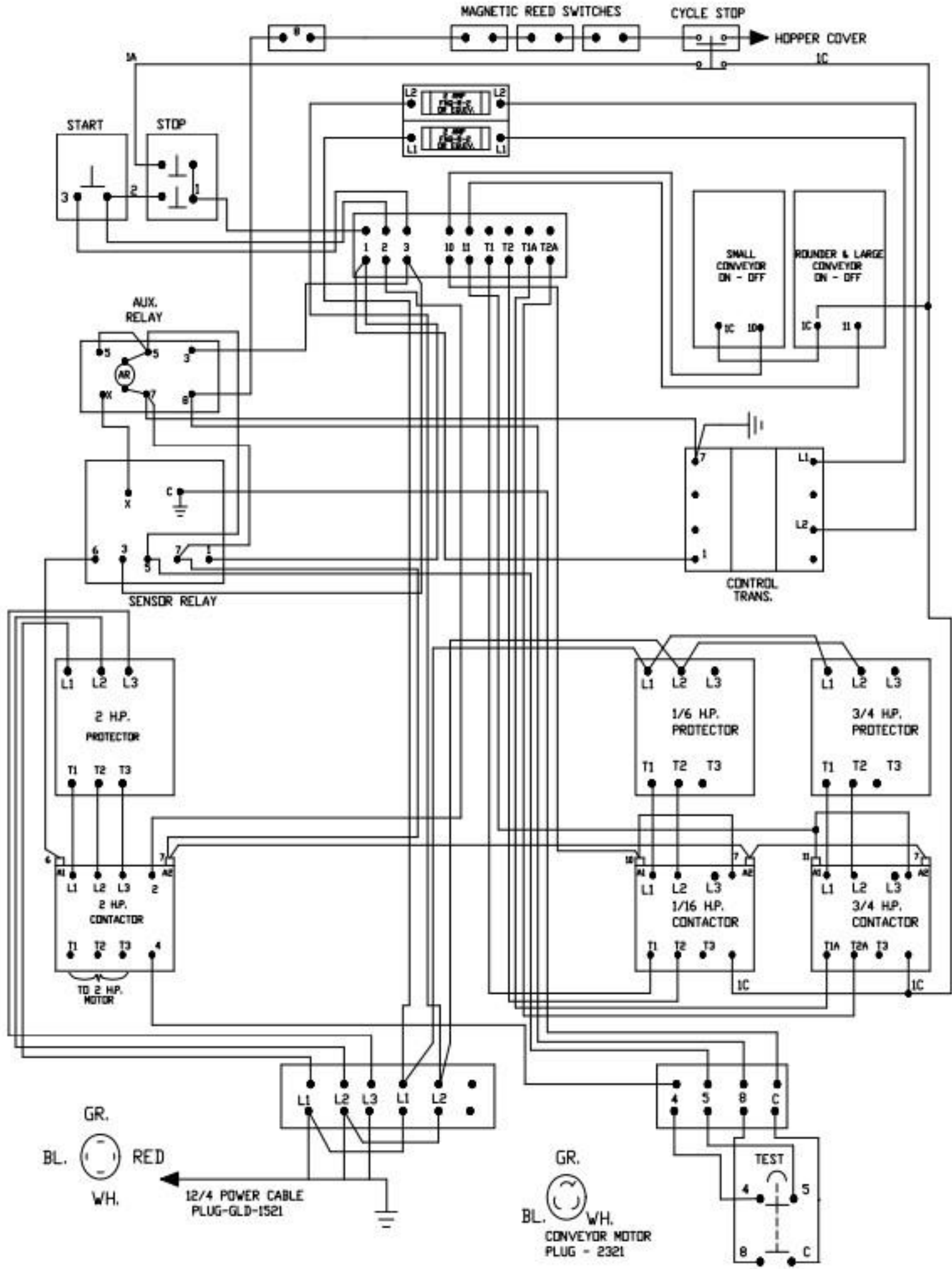
NOTE:
DASHED LINES REPRESENT ITEMS
EXTERNAL TO PANEL...



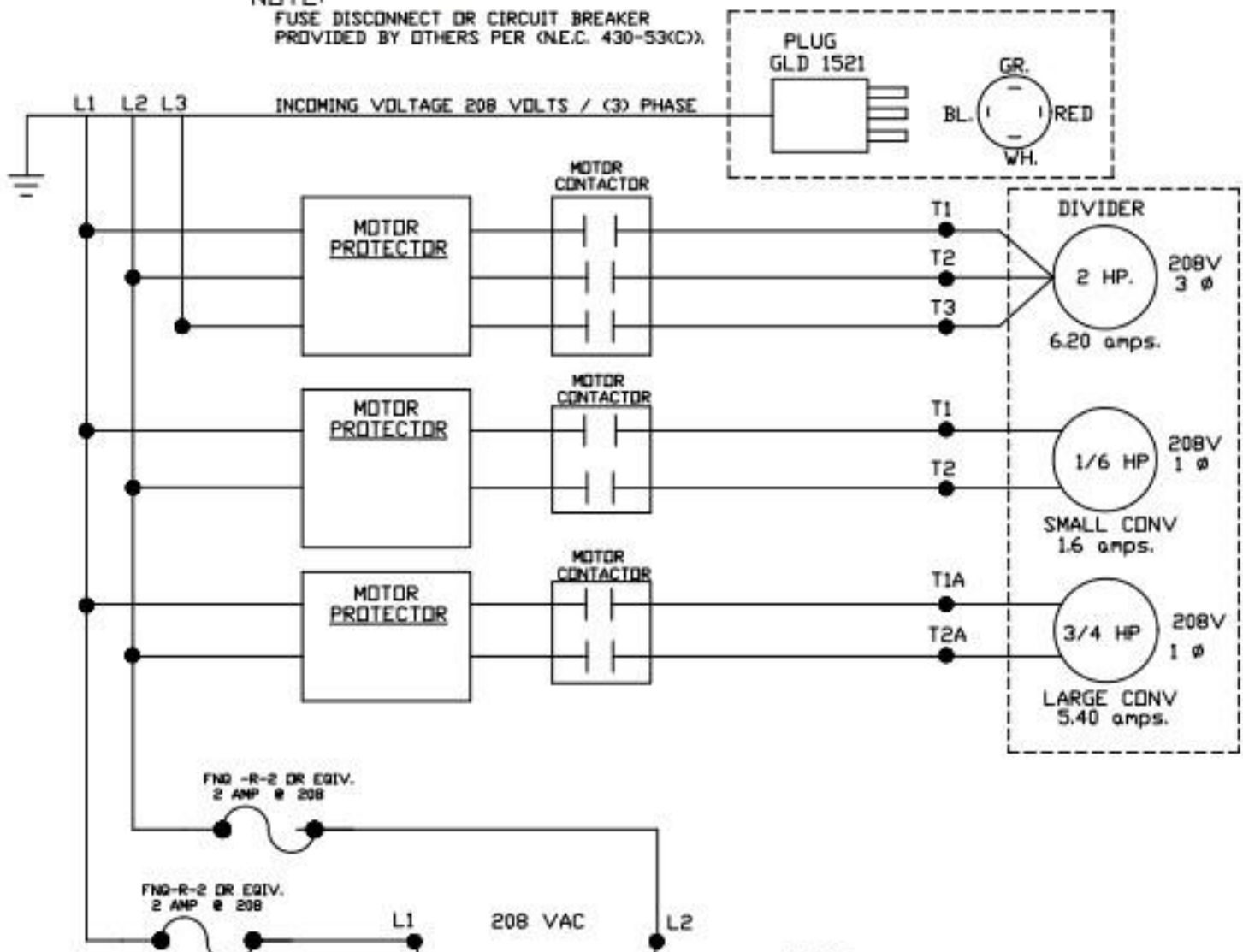
AR = AUX RELAY

SR = SENSOR RELAY

DM = DIVIDER MOTOR CONTACTOR



NOTE:
FUSE DISCONNECT OR CIRCUIT BREAKER
PROVIDED BY OTHERS PER (N.E.C. 430-53(C)).



NOTE:
DASHED LINES REPRESENT ITEMS
EXTERNAL TO PANEL...

