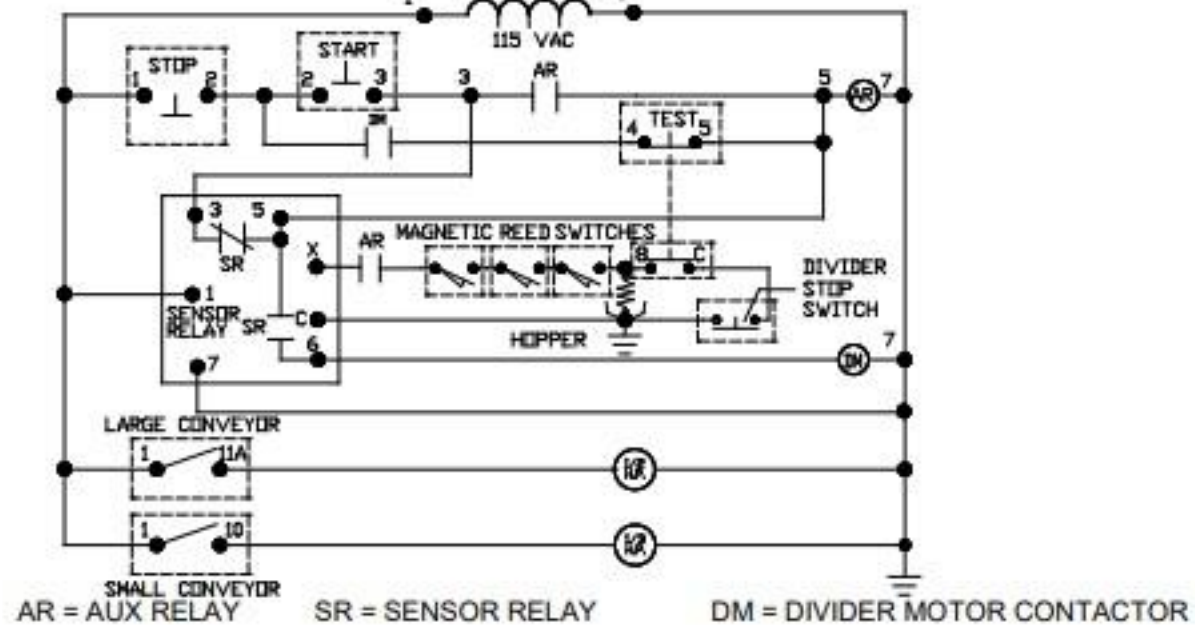
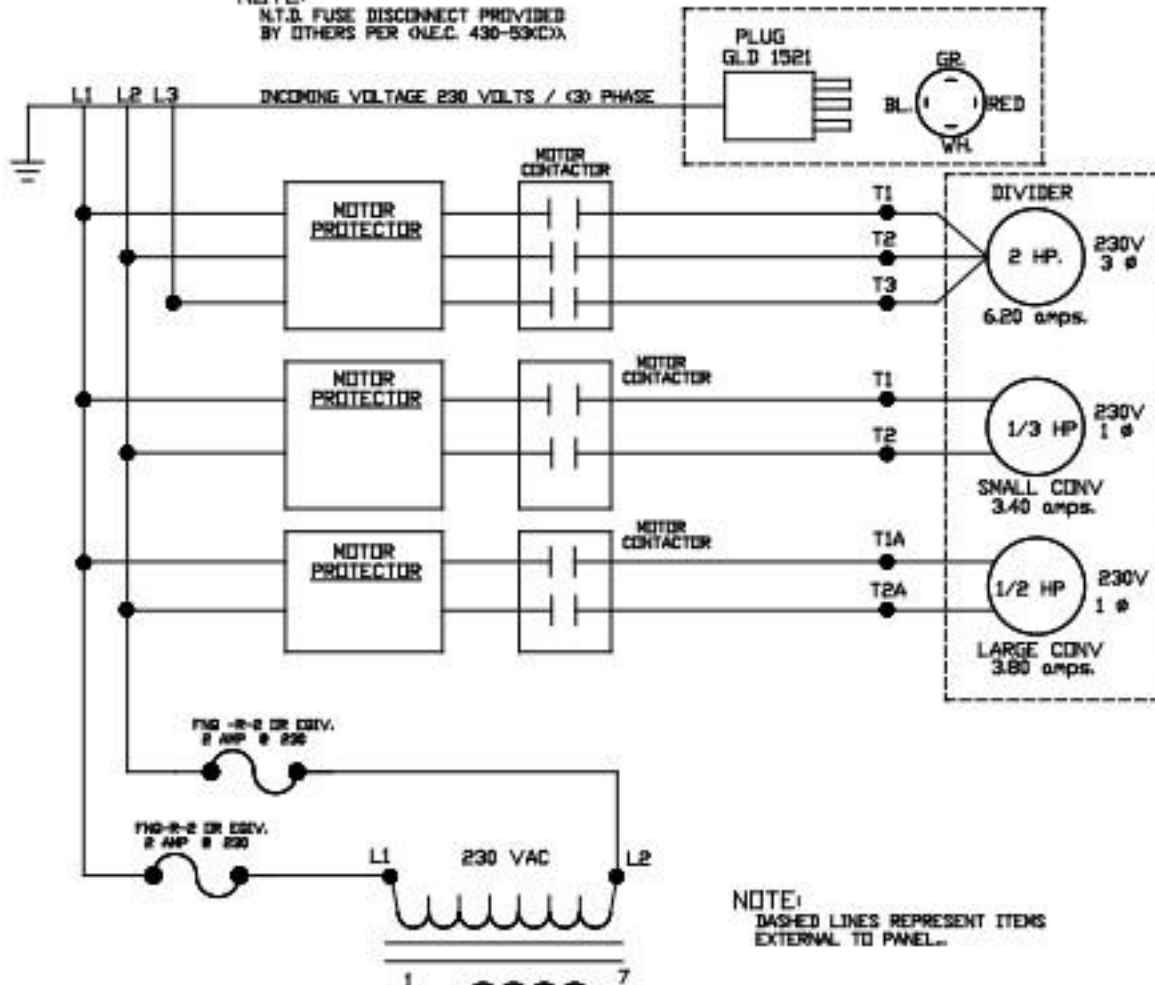


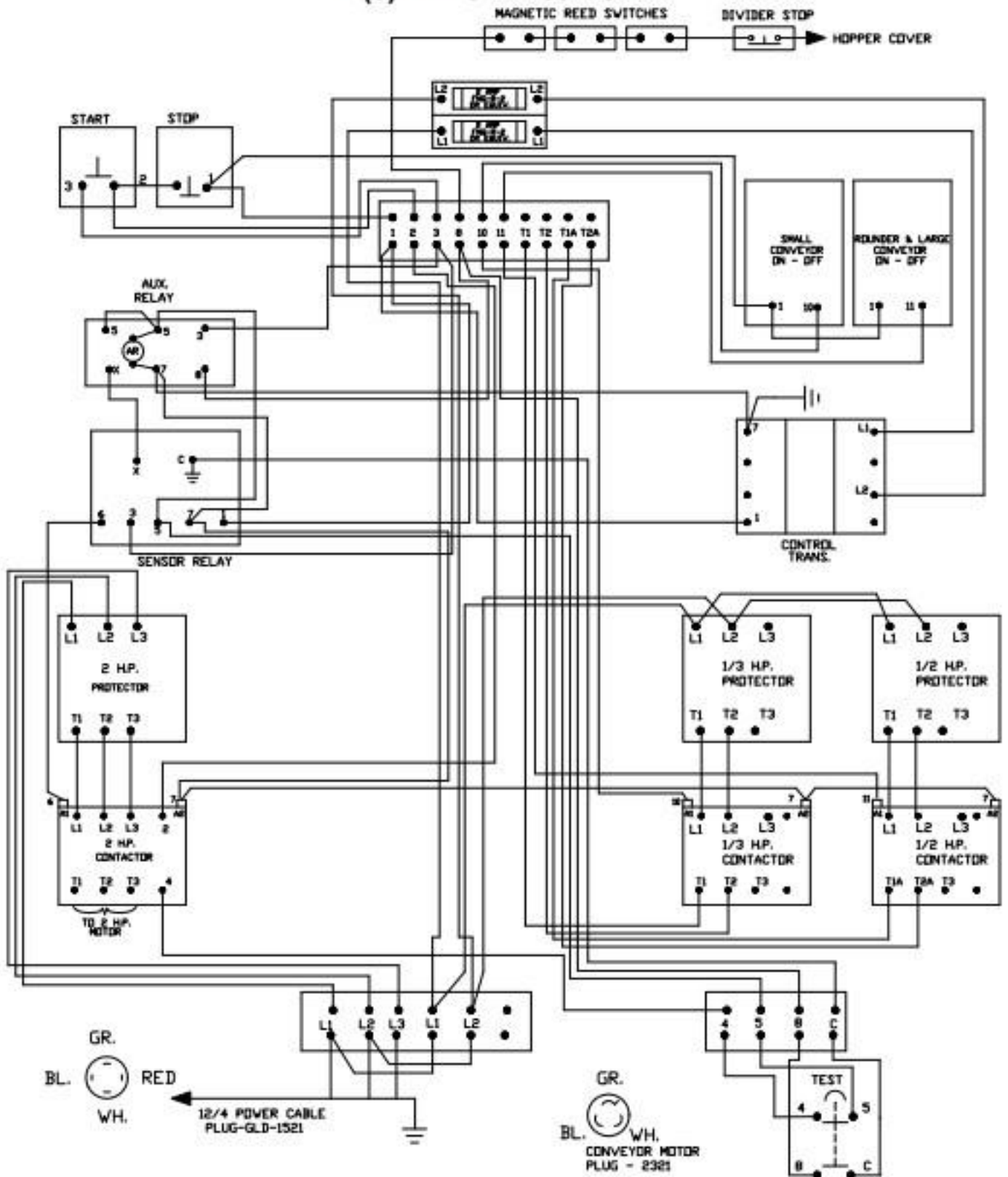
# ELECTRICAL (SCHEMATIC) (3) PHASE / 230 VOLT

NOTE:  
N.T.D. FUSE DISCONNECT PROVIDED  
BY OTHERS PER (N.E.C. 430-53KC).

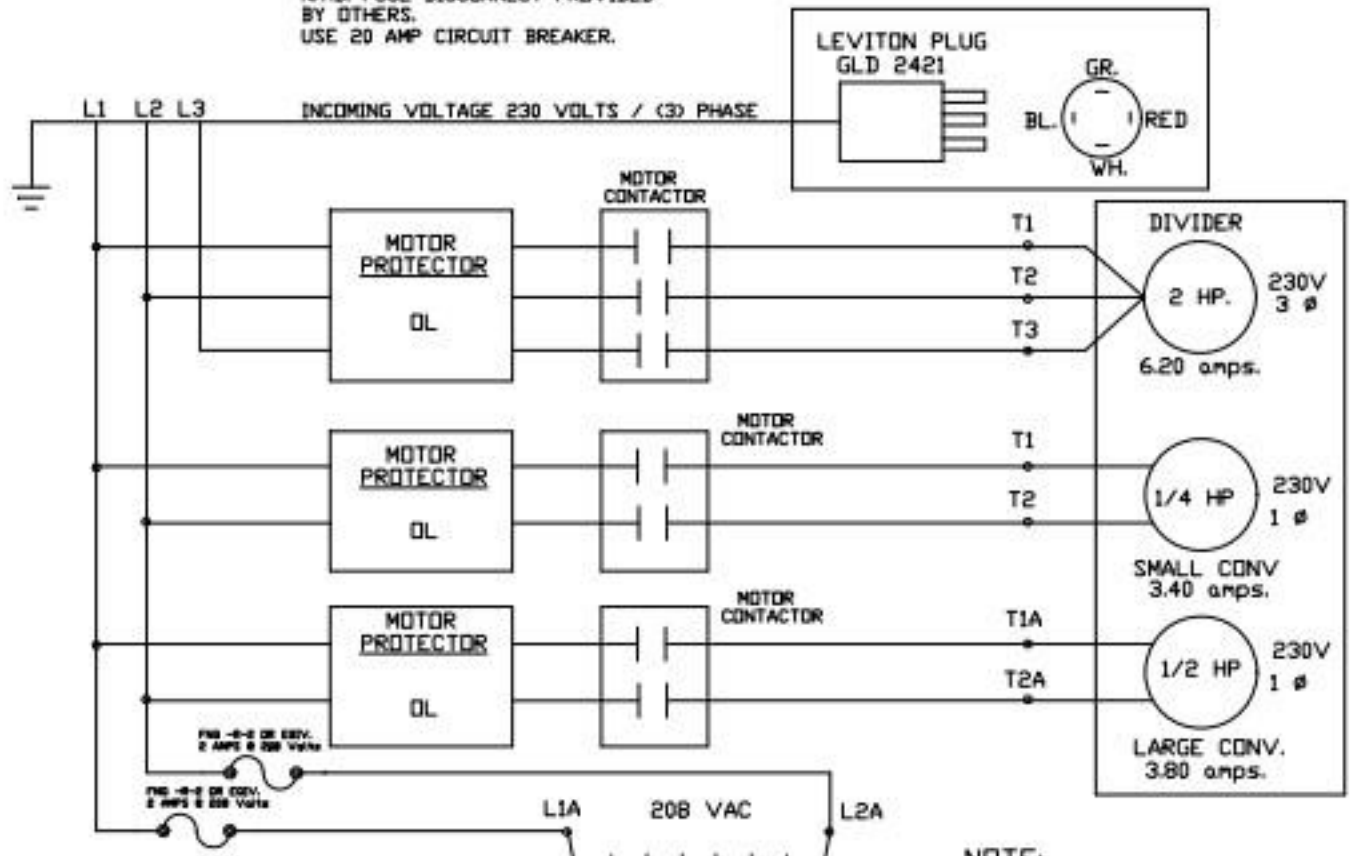


# ELECTRICAL (HARDWARE)

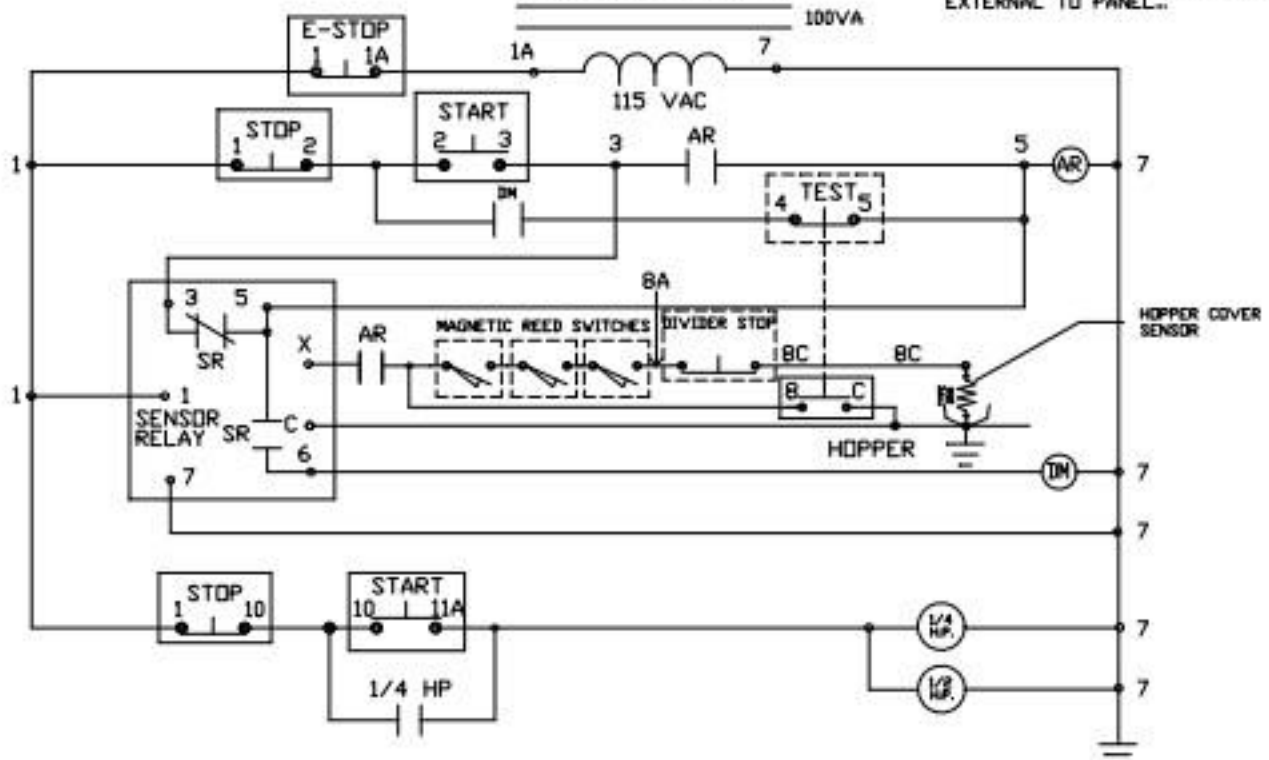
## (3) PHASE / 230 VOLT



NOTE:  
 N.T.D. FUSE DISCONNECT PROVIDED  
 BY OTHERS.  
 USE 20 AMP CIRCUIT BREAKER.



NOTE:  
 DASHED LINES REPRESENT ITEMS  
 EXTERNAL TO PANEL..



# ELECTRICAL (HARDWARE)

## (3) PHASE / 208 VOLT

