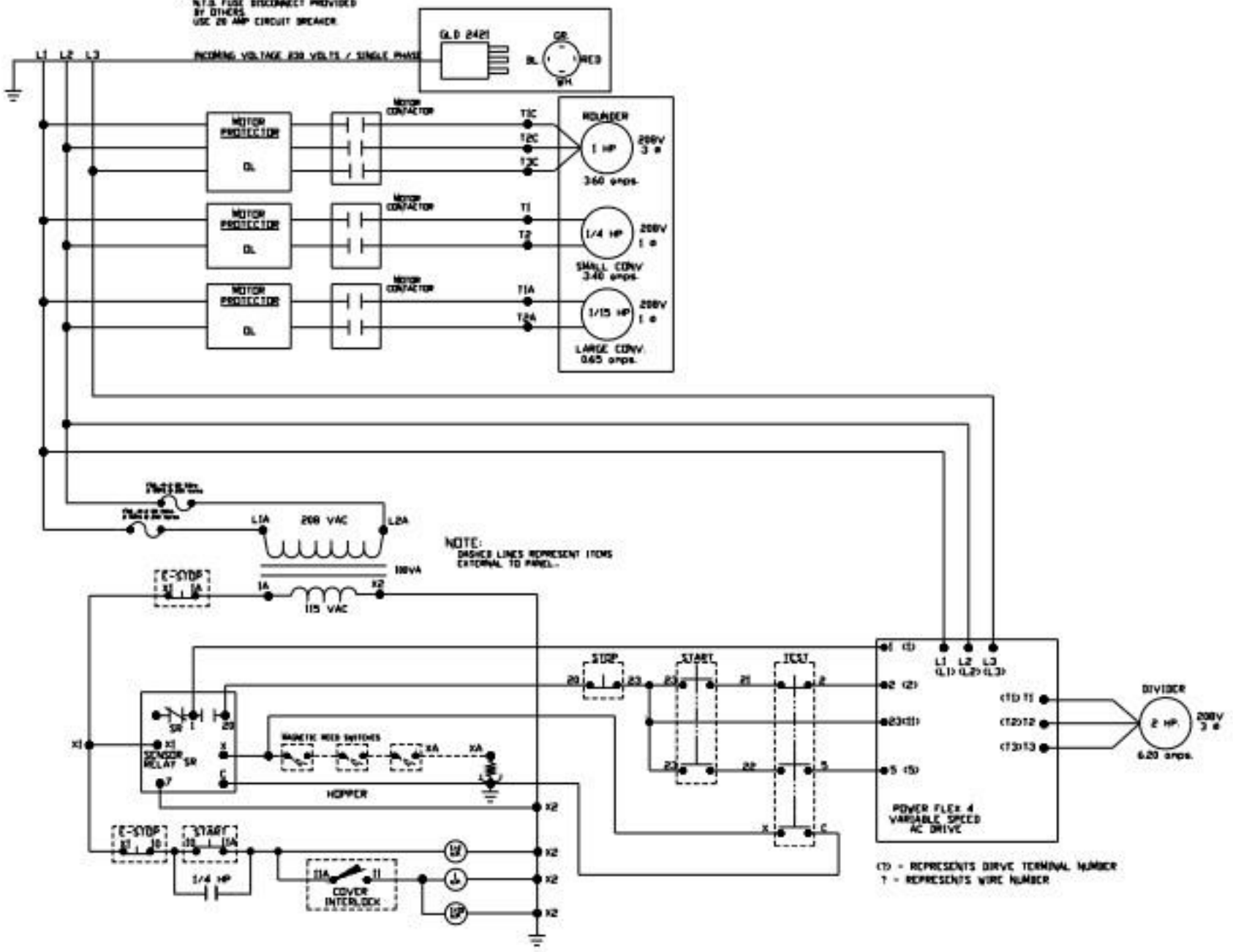
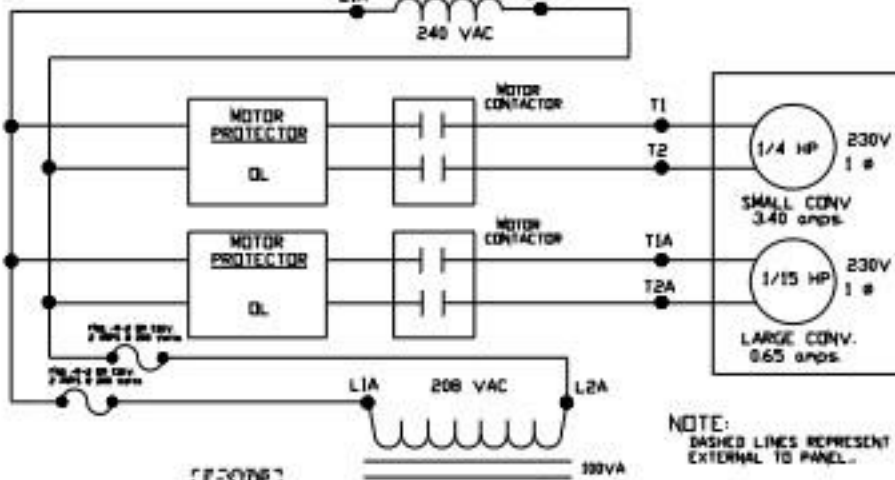
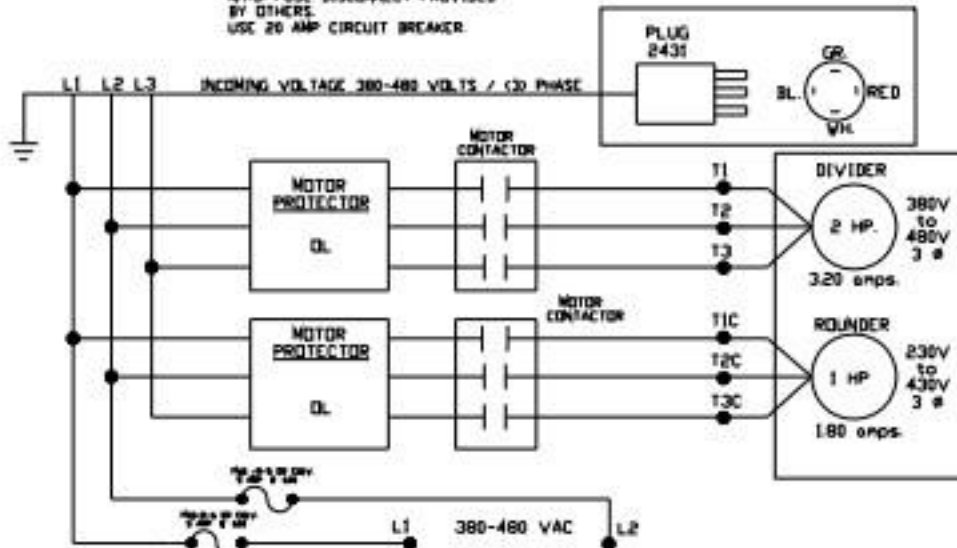


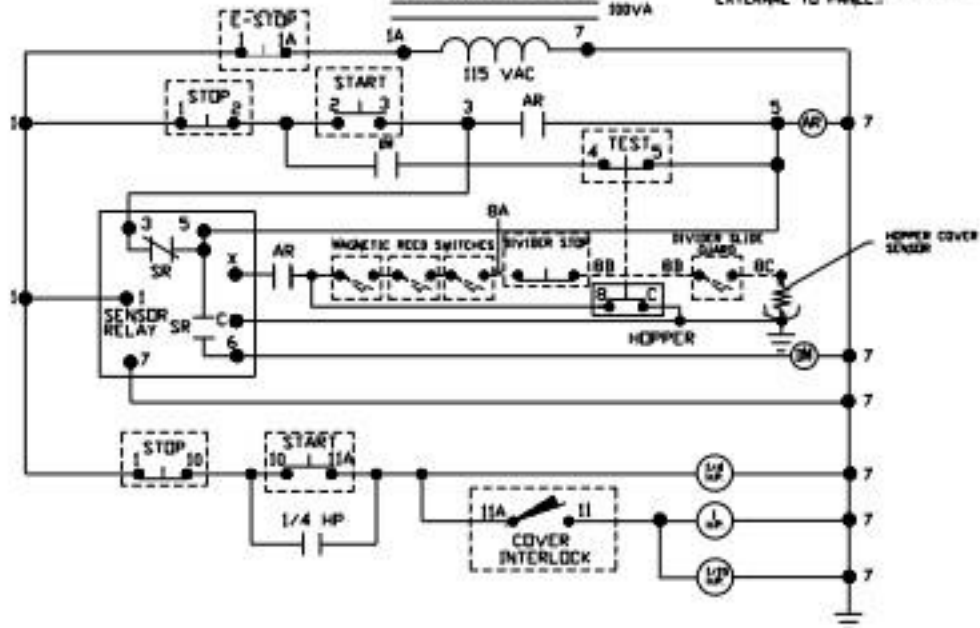
NOTE:
N.T.S. FUSE DISCONNECT PROVIDED
BY OTHERS
USE 20 AMP CIRCUIT BREAKER



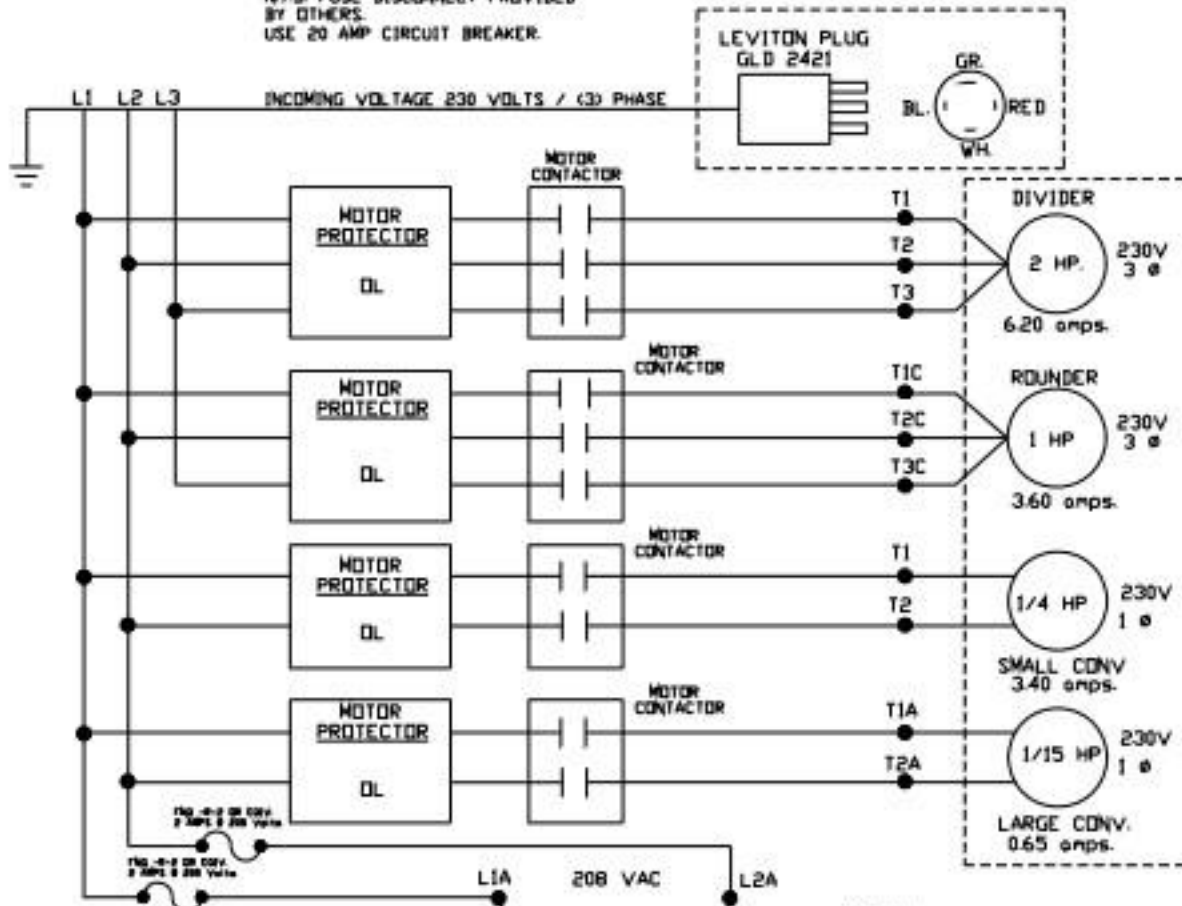
NOTE:
 N.T.D. FUSE DISCONNECT PROVIDED
 BY OTHERS.
 USE 20 AMP CIRCUIT BREAKER.



NOTE:
 DASHED LINES REPRESENT ITEMS
 EXTERNAL TO PANEL.



NOTE:
 N.T.D. FUSE DISCONNECT PROVIDED
 BY OTHERS.
 USE 20 AMP CIRCUIT BREAKER.



NOTE:
 DASHED LINES REPRESENT ITEMS
 EXTERNAL TO PANEL.

