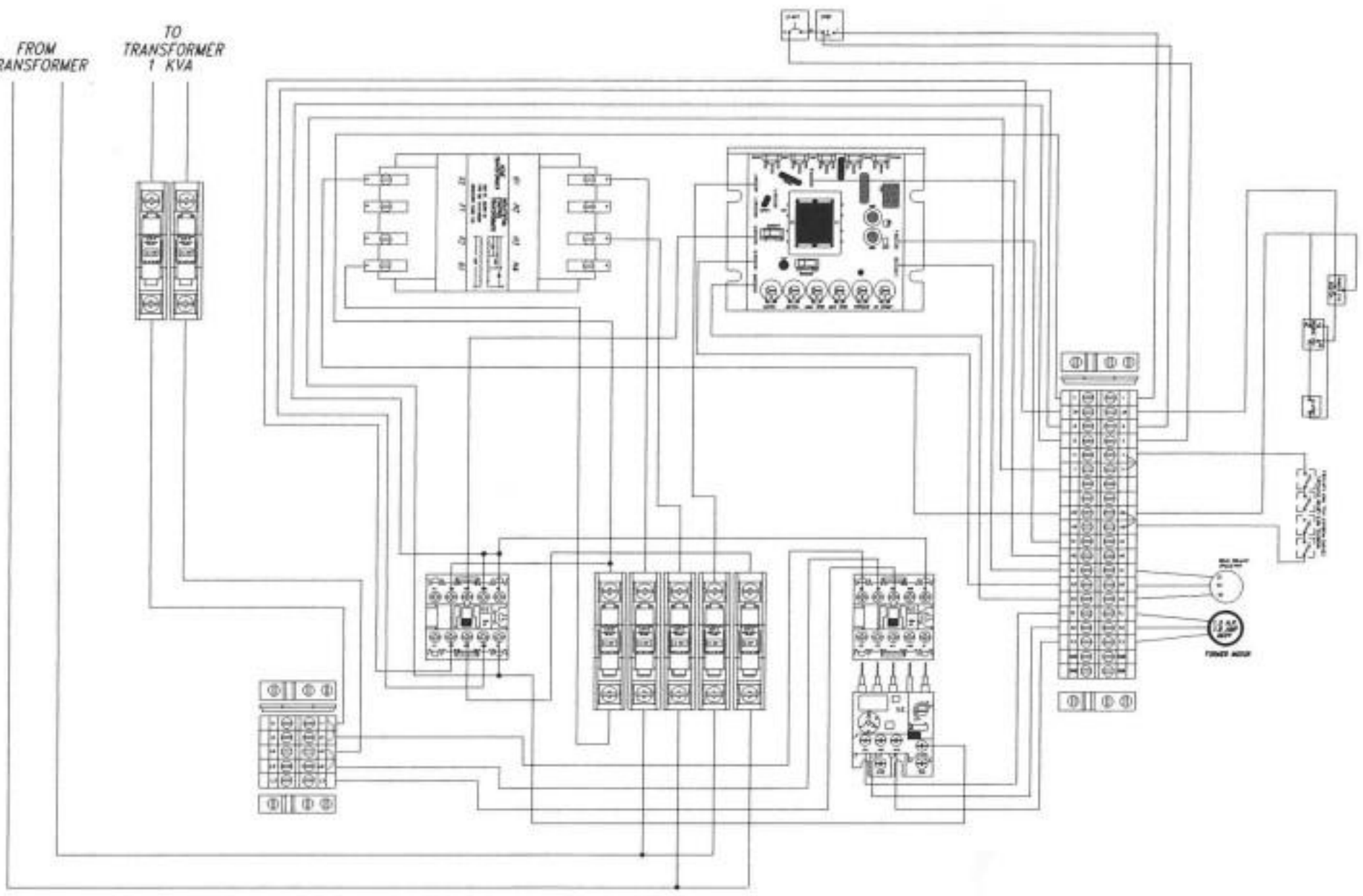
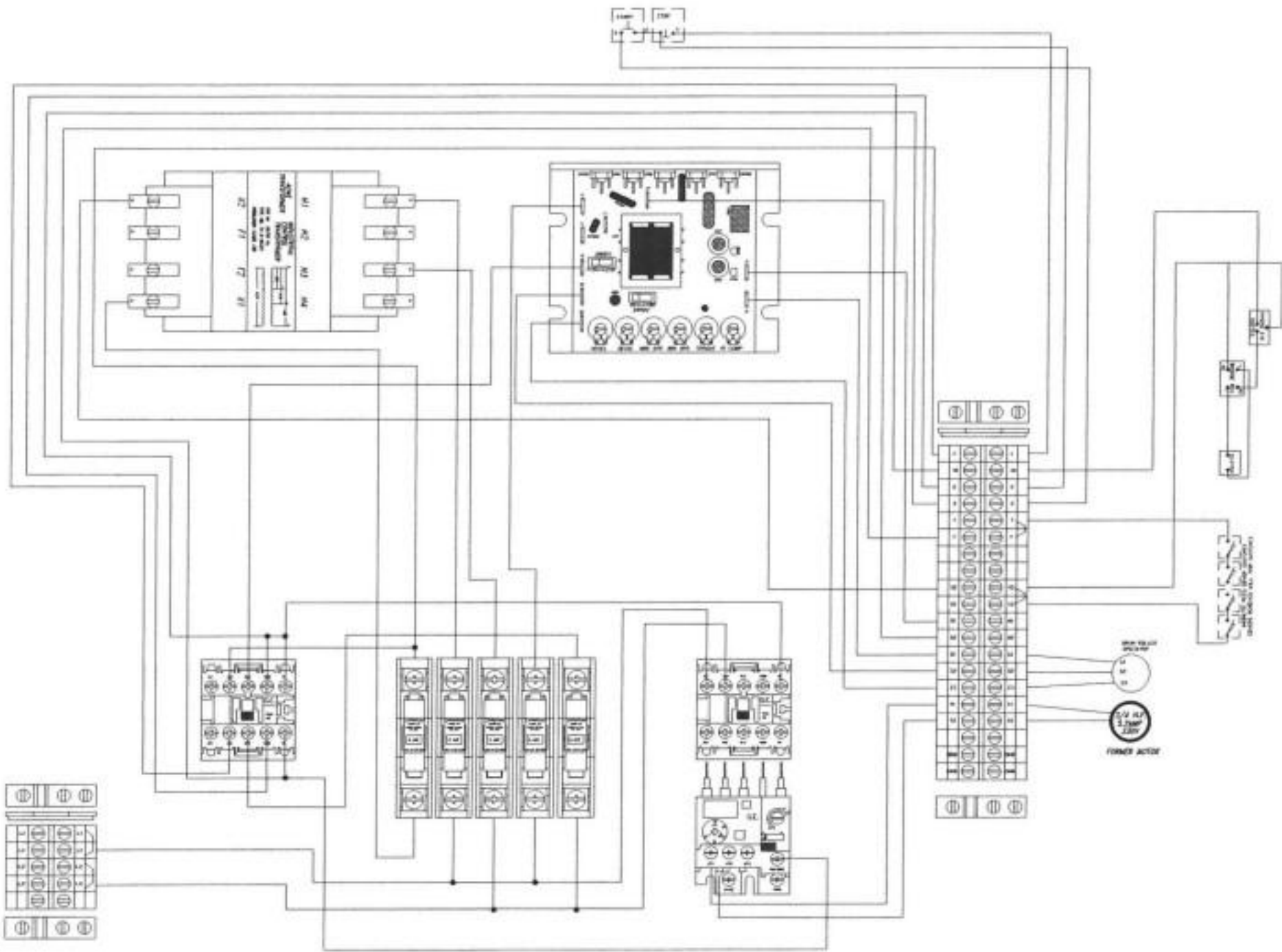


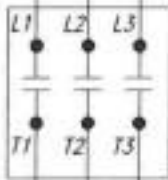
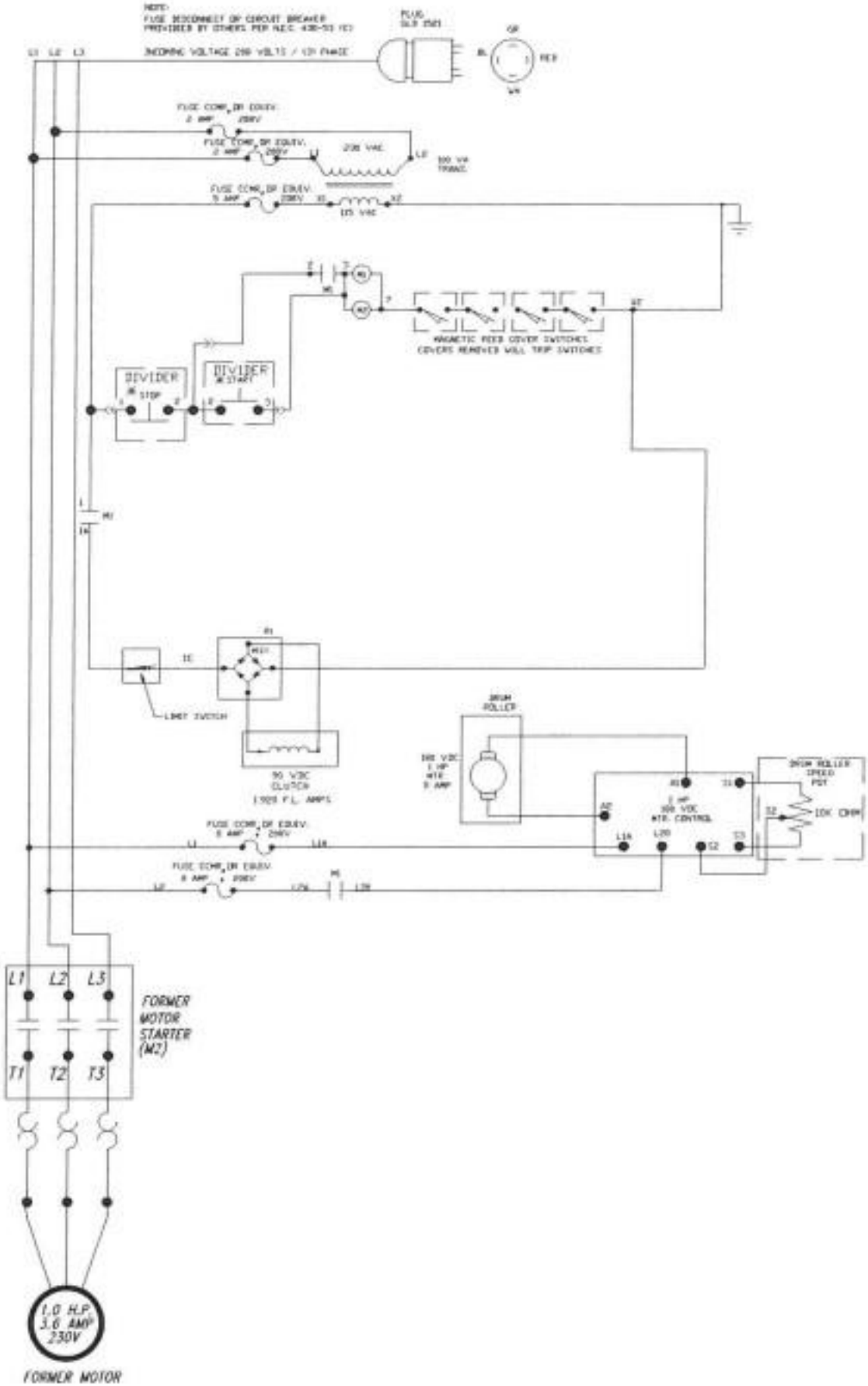
FROM
TRANSFORMER

TO
TRANSFORMER
1 KVA





NOTE:
 FUSE DISCONNECT OR CIRCUIT BREAKER
 PROVIDED BY OTHERS PER N.E.C. 430-51 (C)



FORMER
 MOTOR
 STARTER
 (M2)



FORMER MOTOR

