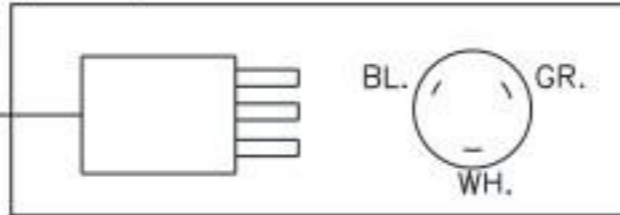


NOTE:
 N.T.D FUSE DISCONNECT PROVIDED
 BY OTHERS.
 USE 20 AMP CIRCUIT BREAKER

INCOMING VOLTAGE (110-120/208-240Vac / 1Phase)
 FLA @ 110-120Vac = 13.0A
 FLA @ 208-240Vac = 6.50A

110-120Vac
 PLUG (AM PART #: SS148)
 (L5-15P)

208-240Vac
 PLUG (AM PART #: SS155)
 (L6-20P)



FROM MAIN CONTROL BOX (1) THEN OUT TO 3/4HP
 110-120Vac MACHINES

CONNECTOR(L6-15R) (AM PART #: SS154)
 MOTOR PLUG(L6-15P) (AM PART #: SS153)

208-240Vac MACHINES

CONNECTOR(L6-20R) (AM PART #: SS156)
 MOTOR PLUG(L6-20P) (AM PART #: SS155)

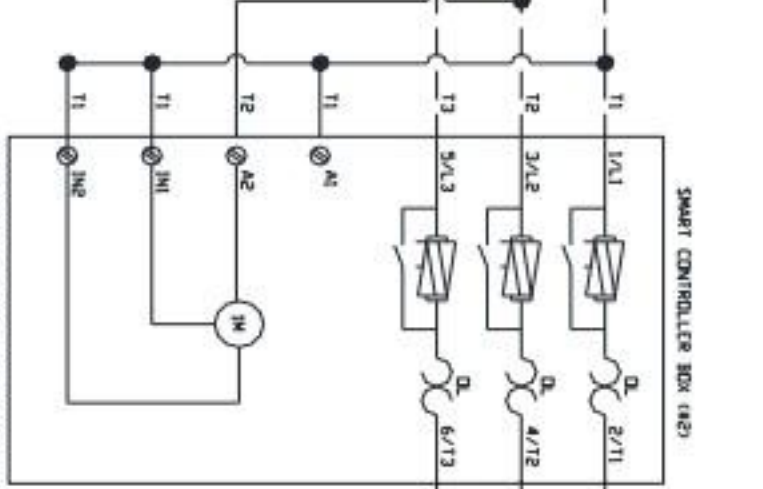
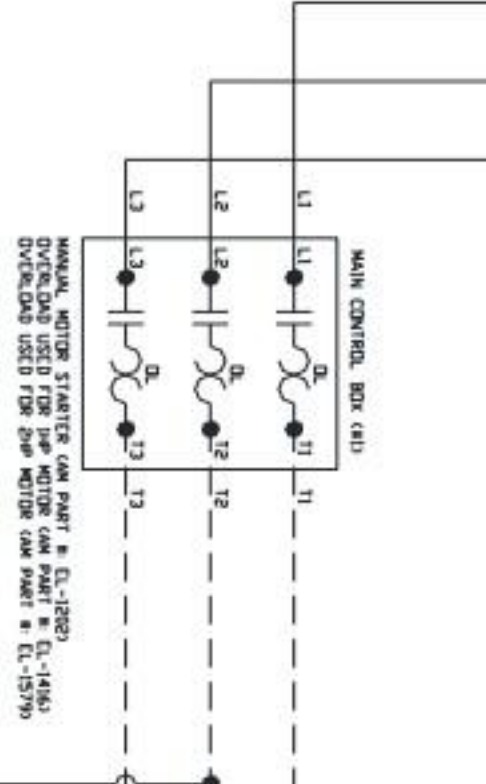
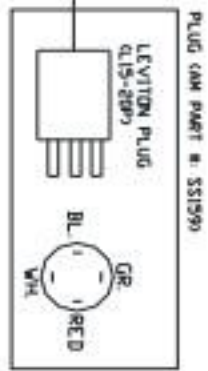


MANUAL MOTOR STARTER (AM PART #: SS212)
 OVERLOAD USED FOR 120Vac (AM PART #: SS210)
 OVERLOAD USED FOR 208-240Vac MOTOR (AM PART #: EL-1189)

MOTOR
 3/4HP MOTOR
 (110-120Vac / 1PHASE)
 10.4 Amps
 (10.4 X 1.25 = 13.0A)
 (AM PART #: SS255)

3/4HP MOTOR
 (208-240Vac / 3PHASE)
 5.2 Amps
 (5.2 X 1.25 = 6.50A)
 (AM PART #: SS255)

NOTE:
 N.T.D FUSE DISCONNECT PROVIDED
 BY OTHERS.
 USE 20 AMP CIRCUIT BREAKER
 INCOMING VOLTAGE (208-240vac / 3Phase)
 FLA(HP MOTOR) = 4.50A
 FLA(2HP MOTOR) = 7.75A

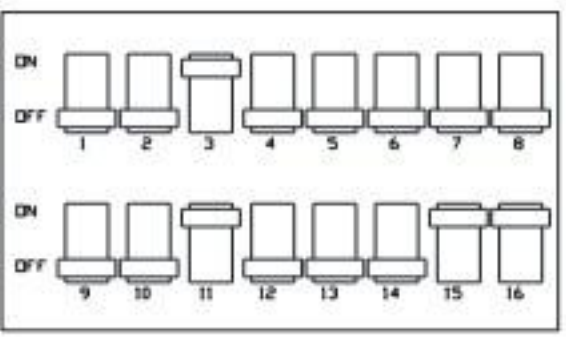


SMART MOTOR CONTROLLER (AM PART # S5384)
 ENCLOSURE (AM PART # S5387)
 ENCLOSURE PANEL (AM PART # S5388)

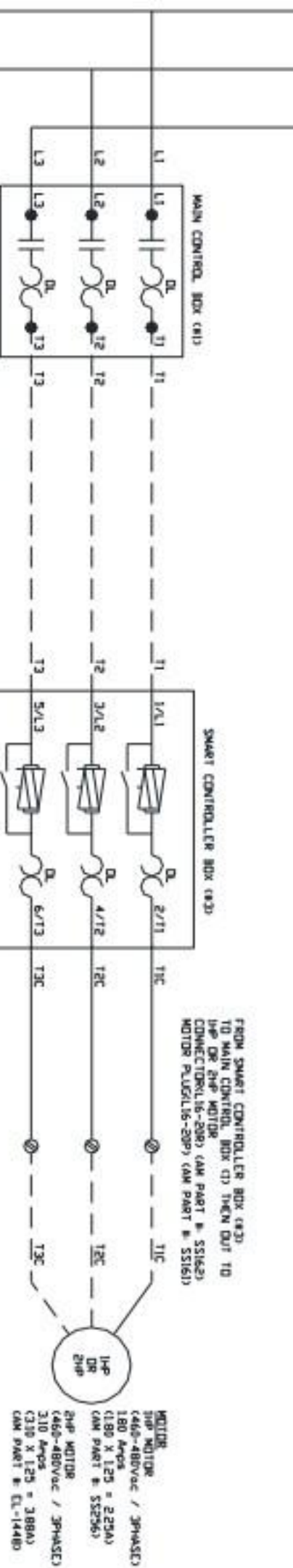
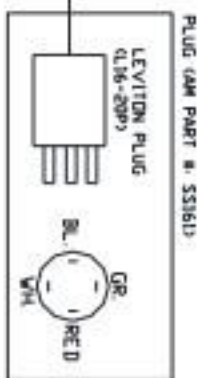
FROM SMART CONTROLLER BOX (M2)
 TO MAIN CONTROL BOX (M1)
 OUT TO 1HP OR 2HP MOTOR
 CONNECTOR(Q15-20P) (AM PART # S5160)
 MOTOR PLUG(Q15-20P) (AM PART # S5159)

MOTOR
 1HP MOTOR
 (208-240vac / 3Phase)
 3.6 Amps
 (3.60 X 1.25 = 4.50A)
 (AM PART # S5256)

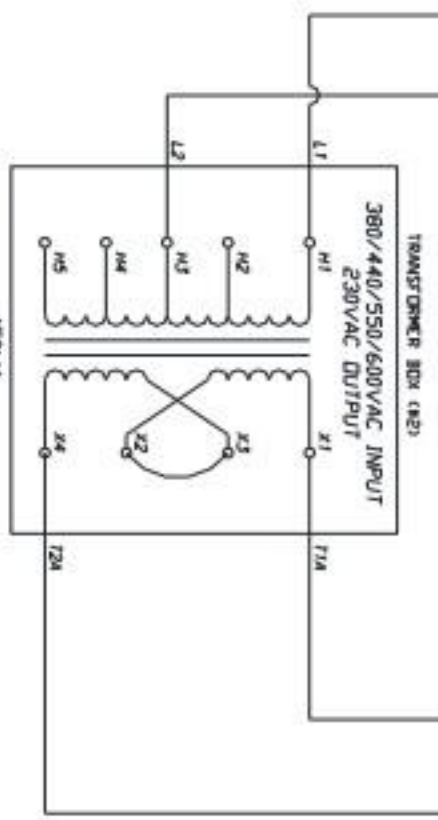
2HP MOTOR
 (208-240vac / 3Phase)
 6.20 Amps
 (6.20 X 1.25 = 7.75A)
 (AM PART # EL-1448)



NOTE:
 N.T.D. FUSE DISCONNECT PROVIDED
 BY OTHERS.
 USE 20 AMP CIRCUIT BREAKER
 INCLUDING VOLTAGE (460-480VAC / 3PHASE)
 FLUORIN MOTOR = 2.59A
 FLUORIN MOTOR = 4.225A



MANUAL MOTOR STARTER (AM PART #. EL-1202)
 OVERLOAD USED FOR 1HP MOTOR (AM PART #. EL-1580)
 OVERLOAD USED FOR 2HP MOTOR (AM PART #. EL-1373)



TRANSFORMER (AM PART #. EL-0220)
 ENCLOSURE (AM PART #. S3381)
 ENCLOSURE PANEL (AM PART #. S3380)

SMART MOTOR CONTROLLER (AM PART #. S3384)
 ENCLOSURE (AM PART #. S3387)
 ENCLOSURE PANEL (AM PART #. S3388)

