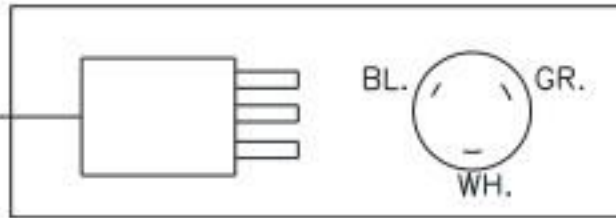


NOTE:
 N.T.D FUSE DISCONNECT PROVIDED
 BY OTHERS.
 USE 20 AMP CIRCUIT BREAKER

INCOMING VOLTAGE (110-120/208-240Vac / 1Phase)
 FLA @ 110-120Vac = 13.0A
 FLA @ 208-240Vac = 6.50A

110-120Vac
 PLUG (AM PART #: SS148)
 (L5-15P)

208-240Vac
 PLUG (AM PART #: SS155)
 (L6-20P)



FROM MAIN CONTROL BOX (1) THEN OUT TO 3/4HP
 110-120Vac MACHINES

CONNECTOR(L6-15R) (AM PART #: SS154)
 MOTOR PLUG(L6-15P) (AM PART #: SS153)

208-240Vac MACHINES

CONNECTOR(L6-20R) (AM PART #: SS156)
 MOTOR PLUG(L6-20P) (AM PART #: SS155)

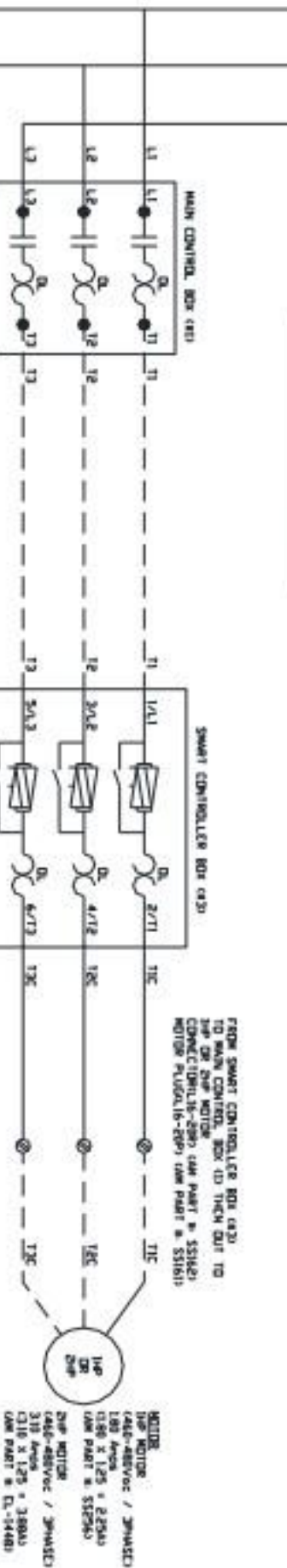
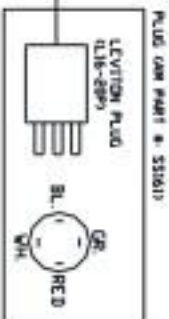


MANUAL MOTOR STARTER (AM PART #: SS212)
 OVERLOAD USED FOR 120Vac (AM PART #: SS210)
 OVERLOAD USED FOR 208-240Vac MOTOR (AM PART #: EL-1189)

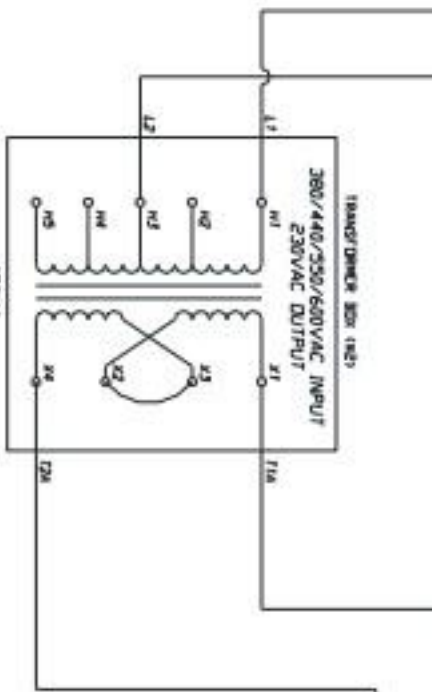
MOTOR
 3/4HP MOTOR
 (110-120Vac / 1PHASE)
 10.4 Amps
 (10.4 X 1.25 = 13.0A)
 (AM PART #: SS255)

3/4HP MOTOR
 (208-240Vac / 3PHASE)
 5.2 Amps
 (5.2 X 1.25 = 6.50A)
 (AM PART #: SS255)

NOTE:
 NIB FUSE DISCONNECT PROVIDED
 BY DIRECTV
 USE TO AMP CIRCUIT BREAKER
 INCOMING VOLTAGE (440-480VAC / 3PHASE)
 FLUID MOTOR = 235A
 FLUIDP MOTOR = 422A



MANUAL MOTOR STARTER (AM PART # CL-1282)
 OVERLOAD USED FOR THE MOTOR (AM PART # CL-1586)
 OVERLOAD USED FOR THE MOTOR (AM PART # CL-1373)



150V/440V
 AMPERAGE: 150 / 440VAC = 341A

TRANSFORMER (AM PART # CL-1280)
 ENCLOSURE (AM PART # 55381)
 ENCLOSURE PANEL (AM PART # 55383)

SMART MOTOR CONTROLLER (AM PART # 55384)
 ENCLOSURE (AM PART # 55387)
 ENCLOSURE PANEL (AM PART # 55388)

