

THE ATWOOD

BAGELFORMER

AUTOMATIC BAGEL DIVIDING AND FORMING

MODEL: BF - 100

INCLUDES: RK2100 SERIES MACHINES

OPERATIONS AND SAFETY MANUAL

INCLUDING PARTS CATALOG
AND MAINTENANCE INSTRUCTIONS

MODEL No. _____

SERIAL No. _____



CAUTION:

DO NOT OPERATE, CLEAN OR SERVICE THIS MACHINE BEFORE YOU READ THIS MANUAL, AND ARE FAMILIAR WITH THE SAFETY INSTRUCTIONS IN THIS MANUAL AND THOSE ON THE LABELS ON THE MACHINE. KEEP THIS MANUAL AND OTHER MATERIALS DELIVERED WITH THE MACHINE, ACCESSIBLE TO THE OPERATORS FOR EASY REFERENCE DURING USE.

THE ENTIRE CONTENTS OF THIS PUBLICATION ARE COPYWRITTEN AND ALL RIGHTS ARE RESERVED. REPRODUCTION IN WHOLE OR IN PART IS PROHIBITED WITHOUT WRITTEN PERMISSION OF A.M. MFG. INC.

IF YOU SHOULD HAVE ANY (?) QUESTIONS ABOUT GUARDS OR PLACEMENT CALL (708) 841-0959.

THIS CATALOG BECOMES OBSOLETE ON 12/31/00. UPDATED CATALOGS ARE AVAILABLE DIRECTLY FROM A.M. MFG. INC.



MANUFACTURING COMPANY

DIVISION OF THE ATWOOD CORPORATION
14151 IRVING AVENUE DOLTON, ILLINOIS 60419

(773) 785-3177 (708) 841-0959 (800) 342-6744 FAX: (708) 841-0975 www.ammfg.com

OWNERS RESPONSIBILITY

NOTE:

THE PARTS AND EQUIPMENT DESCRIBED IN THIS MANUAL MAY BE COVERED BY ONE OR MORE OF THE FOLLOWING PATENTS:

U.S. PATENT NO. 5,395,229 "BELT SHIELD FOR BAGEL FORMING BELT"

OTHER U.S. AND FOREIGN PATENTS

PENDING.



TO MAINTAIN MACHINE AND USER SAFETY, THE RESPONSIBILITY OF THE OWNER IS TO READ AND FOLLOW THESE INSTRUCTIONS AND TO ENSURE THAT ALL OPERATORS UNDERSTAND AND FOLLOW THESE AND OTHER SAFETY INSTRUCTIONS IN THIS MANUAL.

- FOLLOW ALL INSTALLATION INSTRUCTIONS.
- MAKE SURE INSTALLATION CONFORMS TO ALL APPLICABLE LOCAL, STATE, AND FEDERAL CODES, RULES AND REGULATIONS SUCH AS STATE AND FEDERAL OSHA REGULATIONS AND ELECTRICAL CODES.
- CAREFULLY CHECK THE UNIT FOR CORRECT INITIAL FUNCTION.
- READ AND FOLLOW THE SAFETY INSTRUCTIONS. KEEP THEM READILY AVAILABLE FOR MACHINE OPERATORS.
- MAKE CERTAIN ALL OPERATORS ARE PROPERLY TRAINED, KNOW HOW TO SAFELY AND CORRECTLY OPERATE THE UNIT AND ARE PROPERLY SUPERVISED.
- ALLOW UNIT OPERATION ONLY WITH ALL PARTS INCLUDING SAFETY EQUIPMENT, IN PLACE AND OPERATING SAFELY.
- CAREFULLY INSPECT THE UNIT ON A REGULAR BASIS AND PERFORM ALL MAINTENANCE AS REQUIRED.
- SERVICE AND MAINTAIN THE UNIT ONLY WITH AUTHORIZED OR APPROVED REPLACEMENT PARTS.
- KEEP ALL INSTRUCTIONS PERMANENTLY WITH THE UNIT ALONG WITH ALL DECALS AND WARNING LABELS ON THE UNIT CLEAN AND VISIBLE.

TABLE OF CONTENTS

	PAGE
OWNERS RESPONSIBILITIES.....	INSIDE COVER
INTRODUCTION & SPECIFICATIONS.....	2
SAFETY SIGNAL WORDS.....	3
LOCATION OF WARNING LABELS.....	4
REPRODUCTION OF WARNING LABELS.....	5
GENERAL SAFETY INFORMATION.....	6
OPERATING INSTRUCTIONS.....	7
GUIDE TO CLEANING.....	8
GUIDE TO MAINTENANCE.....	9
PARTS CATALOG	
IDLER ROLLER ASSEMBLY.....	10-11
FORMING ASSEMBLY - MANDREL.....	12-13
DRIVE ROLLER ASSEMBLY.....	14-15
ROTARY & STATIONARY TABLE ASSEMBLIES.....	16
CABINET WELDMENT.....	17
ELECTRICAL LAYOUT.....	18
ELECTRICAL DIAGRAM.....	19
PARTS ORDERING INSTRUCTIONS.....	20

IMPORTANT:

A.M. MANUFACTURING Co. RESERVES THE RIGHT TO MAKE CHANGES IN DESIGN, SPECIFICATIONS OR MANUFACTURING. TO IMPROVE THEIR PRODUCTS WITHOUT NOTICE AND WITHOUT OBLIGATION TO CHANGE OR IMPROVE PREVIOUSLY BUILT PRODUCTS INCLUDING MANUALS AND CATALOGS.

ONLY USE FACTORY SUPPLIED REPLACEMENT PARTS TO MAINTAIN MACHINE SAFETY, PERFORMANCE AND SANITARY CONDITIONS. USE OF NON-APPROVED PARTS MAY VOID MANUFACTURERS WARRANTY.

KNOW YOUR UNIT. COMPARE DIAGRAMS IN THIS MANUAL WITH THE UNIT BEFORE STARTING SERVICE, TO OBTAIN MAXIMUM SAFETY AND PERFORMANCE.

TO ORDER REPLACEMENT PARTS:
TURN TO PAGE 20 OF THIS MANUAL.



WARNING:

THIS MANUAL CONTAINS CRITICAL SAFETY INSTRUCTIONS. READ AND FOLLOW THEM CAREFULLY. FAILURE TO FOLLOW WARNING AND INSTRUCTIONS MAY LEAD TO SERIOUS PERSONAL INJURY. THE OWNER IS RESPONSIBLE FOR MAINTAINING THE UNIT, ITS INSTRUCTIONS AND DECALS FOR OPERATION REFERENCE. FOR ADDITIONAL COPIES CONTACT A.M. MANUFACTURING: (800)342-6744

OPERATIONS AND SAFETY MANUAL

INCLUDING PARTS CATALOG

**READ AND FAMILIARIZE YOURSELF WITH THIS MANUAL BEFORE OPERATING THIS MACHINE
FOLLOW INSTRUCTIONS DURING USE**

INTRODUCTION

THE BF-100 BAGEL FORMER IS DESIGNED TO GIVE YOU OPTIMUM TROUBLE FREE, TIME SAVING SERVICE. IT IS DESIGNED TO FORM THE REQUIRED WEIGHT FOR THE MANDREL USED ON AVERAGE DOUGH. WITH A SPEED RANGE OF UP TO 4800 PIECES PER HOUR, DEPENDING ON SIZE. NEW AND CURRENT EMPLOYEES CAN BE TAUGHT TO OPERATE THIS MACHINE EFFICIENTLY AND SAFELY IN A SHORT PERIOD OF TIME. WE URGE YOU TO STUDY THIS OPERATION AND SAFETY MANUAL FOR FULL BENEFITS.



CAUTION:

ALL OPERATORS MUST BE FULLY TRAINED AND INSTRUCTED IN SAFETY PROCEDURES BEFORE BEGINNING PRODUCTION.

SPECIFICATIONS

SPEED	UP TO 4800 PIECES PER HOUR DEPENDING ON SIZE
WIDTH OF MACHINE	30"
WORKING HEIGHT OF MACHINE	34" - 42"
HEIGHT OF MACHINE	51"
LENGTH OF MACHINE W/ROTARY TABLE	97"
LENGTH OF MACHINE W/OUT ROTARY TABLE	84"
1 MOTOR STARTER - TO OPERATE FORMER	
SHIPPING WEIGHT	450 lbs.

FORMER	3 PHASE, 1 H.P. MOTOR
CONVEYOR BELT	COTTON, STANDARD 180" X 9" WIDE ADJUSTABLE TIGHTENER
BAGEL MANDRELS	FULLY ADJUSTABLE FOR CENTERING 1 1/2" TO 2" DIAMETER
2 WORK TABLES	OTHER SIZES AVAILABLE PER REQUEST 1 - STATIONARY - 17" X 23" 1 - REVOLVING - 24" DIAMETER

VOLTAGES: 3 PHASE, 208/220 VOLTS

INSTALLATION INSTRUCTIONS

LOCATION:

SELECT LOCATION CAREFULLY. THE AREA SHOULD PROVIDE THE OPERATOR WITH ENOUGH SPACE TO USE THE EQUIPMENT IN A SAFE MANNER. THE FLOOR AREA SELECTED SHOULD BE EASY TO CLEAN AND SHOULD BE FREE OF OIL, GREASE, ECT. AVOID AREAS WHERE BYSTANDERS AND CUSTOMERS MAY BE PRESENT.



CAUTION

PROPER UNIT INSTALLATION IS NECESSARY FOR SAFE AND EFFICIENT OPERATION. PROPER INSTALLATION ALSO HELPS PROTECT THE UNIT FROM DAMAGE AND MAKES SERVICE EASIER.

SAFETY

THIS MACHINE IS DESIGNED TO PROVIDE FOR SAFE OPERATION IF NORMAL OPERATING PROCEDURES AND SAFETY MESSAGES LOCATED ON THE MACHINE AND IN THIS MANUAL ARE FOLLOWED.



THIS IS A SAFETY ALERT SYMBOL. YOU WILL FIND IT ON VARIOUS SAFETY LABELS ON THE MACHINE AND IT WILL ALSO APPEAR IN THIS MANUAL WHEREVER SAFETY MESSAGES ARE GIVEN.

GET FAMILIAR WITH SIGNAL WORDS:

CAUTION, WARNING & DANGER

CAUTION:

INDICATES A POTENTIALLY HAZARDOUS SITUATION WHICH, IF NOT AVOIDED, MAY RESULT IN MINOR OR MODERATE INJURY. IT MAY ALSO BE USED TO ALERT AGAINST UNSAFE PRACTICES.

WARNING:

INDICATES A POTENTIALLY HAZARDOUS SITUATION WHICH, IF NOT AVOIDED, COULD RESULT IN DEATH OR SERIOUS INJURY.

DANGER:

INDICATES AN IMMINENTLY HAZARDOUS SITUATION WHICH, IF NOT AVOIDED, WILL RESULT IN DEATH OR SERIOUS INJURY. THIS SIGNAL WORD IS TO BE LIMITED TO THE MOST EXTREME SITUATIONS.

NOTE:

A NOTE PROVIDES KEY INFORMATION TO MAKE PROCEDURES EASIER AND CLEARER.

SAFETY

THIS MACHINE IS DESIGNED TO PROVIDE FOR SAFE OPERATION IF NORMAL OPERATING PROCEDURES AND SAFETY MESSAGES LOCATED ON THE MACHINE AND IN THIS MANUAL ARE FOLLOWED.



THIS IS A SAFETY ALERT SYMBOL. YOU WILL FIND IT ON VARIOUS SAFETY LABELS ON THE MACHINE AND IT WILL ALSO APPEAR IN THIS MANUAL WHEREVER SAFETY MESSAGES ARE GIVEN.

GET FAMILIAR WITH SIGNAL WORDS:

CAUTION, WARNING & DANGER

CAUTION:

INDICATES A POTENTIALLY HAZARDOUS SITUATION WHICH, IF NOT AVOIDED, MAY RESULT IN MINOR OR MODERATE INJURY. IT MAY ALSO BE USED TO ALERT AGAINST UNSAFE PRACTICES.

WARNING:

INDICATES A POTENTIALLY HAZARDOUS SITUATION WHICH, IF NOT AVOIDED, COULD RESULT IN DEATH OR SERIOUS INJURY.

DANGER:

INDICATES AN IMMINENTLY HAZARDOUS SITUATION WHICH, IF NOT AVOIDED, WILL RESULT IN DEATH OR SERIOUS INJURY. THIS SIGNAL WORD IS TO BE LIMITED TO THE MOST EXTREME SITUATIONS.


NOTE:

A NOTE PROVIDES KEY INFORMATION TO MAKE PROCEDURES EASIER AND CLEARER.

WARNING LABELS

TYPICALLY FOUND ON THE BAGEL FORMER 100


PART NO. AM MFG. #14

	<div style="background-color: red; color: white; text-align: center; padding: 2px;">⚠ DANGER</div> <p>BELT NIP POINT HAZARD. NIP POINTS WILL CAUSE SERIOUS INJURIES.</p> <p>KEEP HANDS OUT OF ROLLER AREA WHEN MACHINE IS RUNNING.</p> <p style="text-align: right; font-size: small;">© 1993 AM MFG. #14</p>
--	--

①

RIGHT / LEFT SIDE OF MAIN FRAME AT IDLER PULLEY END

PART NO. AM MFG. #9B

	<div style="background-color: red; color: white; text-align: center; padding: 2px;">⚠ DANGER</div> <p style="font-size: x-small;">WHEN SAFETY COVER IS OPEN, ROLLER AND BELT POINTS ARE EXPOSED. NIP POINTS WILL CAUSE SERIOUS INJURIES.</p> <p style="font-size: x-small;">KEEP HANDS OUT OF ROLLER AREA WHEN COVER IS OPEN OR MACHINE RUNNING.</p> <p style="text-align: right; font-size: x-small;">© 1992 AM MFG. #9B</p>
--	---

②

RIGHT / LEFT SIDE OF MAIN FRAME AT DRIVE PULLEY END.

*MAY BE REPLACED WITH A.M. MFG. # 24 ON CHAIN GUARD FOR DRIVE PULLEY.

③

PART NO. AM MFG. #11

⚠ WARNING


ALL GUARDS AND SAFETY SHIELDS MUST BE IN PLACE BEFORE STARTING MACHINE. NEVER OPERATE THIS MACHINE WITHOUT SAFETY SHIELDS IN PLACE. DO NOT CHANGE THIS MACHINE IN ANY WAY TO INTERFERE WITH OR ELIMINATE THESE ESSENTIAL SAFETY FEATURES.

© 1992 AM MFG. #11

LOCATED ON TOP OF CHAIN GUARD ON DRIVE PULLEY END.
 LOCATED FRONT AND CENTER OF FORMING TUBE ASSEMBLY

④


PART NO. AM MFG. #24

	<div style="background-color: red; color: white; text-align: center; padding: 2px;">⚠ WARNING</div> <p style="font-size: x-small;">EXPOSED CHAIN AND GEARS, CAN CAUSE SERIOUS INJURIES.</p> <p style="font-size: x-small;">STAY AWAY WHEN CHAIN IS MOVING.</p> <p style="text-align: right; font-size: x-small;">© 1993 AM MFG. #24</p>
--	---

LOCATED ON SIDE OF MACHINE, UNDER CHAIN GUARD.

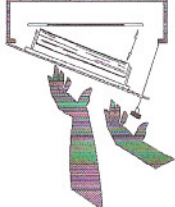
⑤

PART NO. AM MFG. #10
 LOCATED ON SIDE OF CHAIN GUARD ON DRIVE PULLEY END.

	<div style="background-color: red; color: white; text-align: center; padding: 2px;">⚠ DANGER</div> <p style="text-align: center; font-weight: bold; margin-top: 10px;">HAZARDOUS VOLTAGE, WILL SHOCK, BURN, OR CAUSE DEATH</p> <p style="font-size: x-small;">DISCONNECT ALL ELECTRICAL POWER BEFORE REMOVING PROTECTIVE SHIELDS OR TOUCHING ELECTRICAL EQUIPMENT WHILE SERVICING OR CLEANING THIS MACHINE...</p> <p style="text-align: right; font-size: x-small;">© 1992 AM MFG. #10</p>
--	---

⑦

PART NO. AM MFG. #25

	<div style="background-color: yellow; text-align: center; padding: 2px;">⚠ CAUTION</div> <p style="font-size: x-small;">LOOSEN BELT BEFORE UNFASTENING OR REMOVING KNURLED KNOB. ROLLER GUARD IS HEAVY. CAUTION MUST BE USED OR WILL RESULT IN INJURY.</p> <p style="font-size: x-small;">REMOVE KNURLED KNOB SLOWLY WHILE SUPPORTING ROLLER GUARD. CAREFULLY LOWER ROLLER GUARD INTO OPEN POSITION.</p> <p style="text-align: right; font-size: x-small;">© 1992 AM MFG. #25</p>
---	--

LOCATED OPPOSITE SIDE OF CHAIN GUARD ON DRIVE PULLEY END.

⚠ IMPORTANT SAFETY INFORMATION © 1992 AM MFG. #21

- DO NOT OPERATE THIS MACHINE BEFORE YOU HAVE READ AND UNDERSTAND THE OPERATIONS AND SAFETY MANUAL.
- NEVER LEAVE THIS MACHINE RUNNING UNATTENDED.
- NEVER OPERATE THIS MACHINE IF SAFETY GUARDS ARE NOT IN PLACE.
- NEVER REMOVE ANY SAFETY GUARDS AND NEVER MAKE ANY OTHER SAFETY EQUIPMENT INOPERATIVE.
- NEVER OPERATE THIS MACHINE IF YOU HAVE NOT BEEN TRAINED.
- NEVER OPERATE THIS MACHINE IF YOU ARE TIRED, ILL, OR IF YOU ARE ON MEDICATION THAT MAKES YOU TIRED, OR IF YOU ARE UNDER THE INFLUENCE OF ALCOHOL OR DRUGS.
- WEAR TIGHT FITTING CLOTHES AND MAKE SURE THAT LONG HAIR AND JEWELRY OR OTHER LOOSE PERSONAL ITEMS DO NOT GET CAUGHT IN THE MACHINE.
- MAKE SURE YOU CAN EASILY REACH THE CONTROLS.
- ALWAYS DISCONNECT THE MAIN ELECTRICAL POWER SOURCE BEFORE YOU CLEAN, MAINTAIN, OR SERVICE THIS MACHINE.
- IF YOU HAVE ANY QUESTIONS ABOUT SAFETY, TALK TO YOUR SUPERVISOR OR CALL

⑥

PART NO. AM MFG. #21
 LOCATED ON MAIN FRAME TO THE RIGHT OF THE CONTROL PANEL.



CAUTION:

IF ANY SAFETY LABELS ARE MISSING, **THEY MUST BE REPLACED!** CONTACT YOUR DEALER OR A.M. MFG. FOR REPLACEMENT.

MACHINE DESIGN AND SPECIFICATIONS MAY VARY. ACUAL LABEL DESIGN AND PLACEMENT SUBJECT TO CHANGE WITHOUT NOTICE AND MAY VARY FROM THIS ILLUSTRATION.

SAFETY RULES



IMPORTANT:

READ AND FOLLOW THESE SAFETY RULES. THEY ARE FOR YOUR PROTECTION AND THE PROTECTION OF THOSE WORKING WITH YOU.

- DO NOT OPERATE THIS MACHINE BEFORE YOU READ AND UNDERSTAND THE OPERATIONS AND SAFETY MANUAL.
- FOLLOW ALL INSTRUCTIONS DURING USE OF THIS MACHINE.
- LEAVE ALL GUARDS IN PLACE. INSTALL ALL GUARDS IF THEY WERE REMOVED FOR CLEANING, MAINTENANCE, REPAIR OR OTHER REASONS.
- NEVER OPERATE THE MACHINE IF YOU HAVE NOT BEEN TRAINED TO OPERATE THE MACHINE PROPERLY.
- NEVER OPERATE THE MACHINE IF YOU ARE TIRED, ILL, ON MEDICATION, OR UNDER THE INFLUENCE OF ALCOHOL OR DRUGS.
- WEAR TIGHT FITTING CLOTHES. MAKE SURE THAT LONG HAIR, JEWELRY, OR LOOSE PERSONAL ITEMS ARE SECURED SO THEY CANNOT GET CAUGHT IN THE MACHINE. THIS CAN LEAD TO SERIOUS INJURIES.
- MAKE SURE YOU CAN EASILY REACH ALL CONTROLS. IF NOT, A STABLE AND SAFE ELEVATED PLATFORM OR OTHER WORK-AID MUST BE PROVIDED.
- ALWAYS DISCONNECT THE MAIN ELECTRICAL POWER SOURCE BEFORE CLEANING, IF MAINTENANCE OR SERVICE IS PERFORMED, OR IF THE MACHINE IS OUT OF SERVICE.
- NEVER CLEAN BAGEL FORMING BELT ON MACHINE, ALWAYS REMOVE BELT FROM MACHINE TO CLEAN OR SERVICE (WHEN APPLICABLE).
- NEVER LEAVE THIS MACHINE RUNNING UNATTENDED.

IMPORTANT:

IF YOU HAVE ANY QUESTIONS ABOUT THESE SAFETY RULES, SEE YOUR SUPERVISOR OR CALL A.M. MANUFACTURING Co. TOLL FREE: (800)342-6744

OPERATING INSTRUCTIONS

 UNIT MUST BE PROPERLY OPERATED AND MAINTAINED TO PREVENT MACHINE DAMAGE OR PERSONAL INJURY. REVIEW INSTRUCTIONS WITH ALL EMPLOYEES BEFORE USE.

 **CAUTION:**


BEFORE BEGINNING START-UP. READ ALL INSTRUCTIONS AND FAMILIARIZE YOURSELF WITH THE LOCATIONS OF ALL CONTROLS. KNOW HOW TO SHUT DOWN THE UNIT IMMEDIATELY IN CASE OF TROUBLE. MAKE CERTAIN ALL PERSONNEL NOT INVOLVED IN THE START-UP ARE SAFELY AWAY FROM THE MACHINE BEFORE ANY SYSTEMS ARE STARTED.

I. PRELIMINARY START-UP PROCEDURE

- A. PLUG POWER CORD INTO PROPER RECEPTACLE.
- B. PUSH FORMER START BUTTON.
- C. CHECK ROTATION OF DRIVE ROLLERS (100DR) ITEM (1) DRIVE ROLLER ASSEMBLY. IF STANDING IN FRONT OF CONTROL PANEL THE DRIVE ROLLER SHOULD TURN COUNTER CLOCK-WISE (C.C.W.). IF ROTATION IS INCORRECT CONSULT A PROPERLY TRAINED ELECTRICIAN.
- D. IF ROTATION IS CORRECT, YOU ARE READY TO START PRODUCTION.


II. OPERATING THE FORMER

- A. ALL BF-100'S ARE PRE ADJUSTED AND TESTED WITH DOUGH AT THE FACTORY.
- B. IF FURTHER ADJUSTMENTS ARE NEEDED THEY CAN BE MADE AS FOLLOWS:



1.  **STOP MACHINE.**
2. IF BAGELS ARE SMALLER ON THE BOTTOM THAN THE TOP, YOU NEED TO RAISE THE MANDREL BAR (BFM12) ITEM (12) FORMING ASSEMBLY (C.W.), OR (C.C.W.). IF THE BAGELS ARE SMALLER ON THE TOP.
3. RESTART THE MACHINE.
4. IF BAGELS ARE SMALLER ON THE RIGHT SIDE, THAN THE LEFT, YOU NEED TO ADJUST THE HORIZONTAL ADJUSTMENT BLOCKS (BFM4) ITEM (4).
5. STOP THE MACHINE
6. LOOSEN THE (4) FOUR SCREWS F0406HH ITEM (5) HOLDING THE ADJUSTMENT BLOCKS (BFM4) DOWN.
7. MOVE THE ADJUSTMENT BLOCKS (BFM4) TO THE LEFT SIDE.
8. REVERSE THE STEP IF BAGELS ARE SMALLER ON THE OPPOSITE SIDE.
9. RESTART THE MACHINE.

II. TENSIONING OF BAGEL BELT

- A. TO LOOSEN & TIGHTEN BAGEL BELT.

1.  **STOP MACHINE**
2. WITH ADJUSTING KNOB, TURN HEX NUTS LOCATED WITH IN NOTCH AREA AT REAR OF IDLER ROLLER GUARDS. IDLER ROLLER GUARDS ARE SHOWN AS ITEM 4 IN IDLER ROLLER ASSEMBLY DRAWING PAGE 12. TURN HEX NUTS CLOCKWISE TO LOOSEN BELT AND COUNTER CLOCKWISE TO TIGHTEN BELT.
3. NEVER ADJUST ONE HEX NUT INDEPENDENTLY OF THE OTHER MORE THAN FIVE ROTATIONS. DURING THE TIGHTENING OR LOOSENING PROCESS, ALTERNATE FROM RIGHT TO LEFT SIDE EQUALLY ADJUSTING EACH.


- A. TO REMOVE THE BAGEL BELT.

1.  **STOP THE MACHINE**
2. REMOVE PRESSURE PLATE ASSEMBLY BY REMOVING BOTH STAR KNOBS (BCP6) ITEM (10) FORMING ASSEMBLY. SLOWLY LIFT AND REMOVE MOUNTING BRIDGE (104IR) ITEM (5) IDLER ROLLER ASSEMBLY WITH PRESSURE PLATE ASSEMBLY STILL INTACT.
3. LOOSEN ALL (3) THREE STAR KNOBS (BFM19) ITEM (19) FORMING ASSEMBLY. LOWER ALL (3) THREE FORMING CLAMPS ITEMS (31). REMOVE FORMING TUBES.
4. REMOVE KNURLED KNOB (113DR) ITEM (26) DRIVE ROLLER ASSEMBLY.
5.  **CAUTION:** REMOVE KNURLED KNOB SLOWLY WHILE SUPPORTING ROLLER GUARD AND ASSEMBLY (114DR & 115DR) ITEMS (27 & 28) DRIVE ROLLER ASSEMBLY. CAREFULLY LOWER GUARD INTO OPEN POSITION.
6. BAGEL BELT CAN NOW BE REMOVED.

CLEANING PROCEDURES

THESE PROCEDURES ARE VERY IMPORTANT TO MAINTAIN PRODUCT QUALITY AND MACHINE PERFORMANCE AND TO ASSURE SAFETY.

ALL A.M. MANUFACTURING MACHINE ARE TESTED WITH DOUGH DURING THE IN-HOUSE RUN-IN AND QUALITY AUDIT PROCEDURE. ALTHOUGH THE MACHINE HAS BEEN CLEANED, SOME EVIDENCE OF DOUGH ON AND IN THE MACHINE MAY BE DETECTED. THIS IS NORMAL. ALL PARTS IN CONTACT WITH DOUGH SHOULD BE WASHED THOROUGHLY AFTER USE, USING A MILD SOAP AND WATER SOLUTION. DISASSEMBLY OF THIS MACHINE FOR CLEANING IS OUTLINED BELOW AND ILLUSTRATED FOR YOUR CONVENIENCE.

1.  **CAUTION: SHUT OFF ALL ELECTRICAL POWER.**
2. **LOOSEN FORMING BELT.**
3. **REMOVE PRESSURE PLATE ASSEMBLY, CLEAN AND REPLACE.**
4. **REMOVE FORMING TUBES, CLEAN AND REPLACE.**
5. **CAREFULLY LOWER BELT TENSIONING ROLLER, CLEAN AND REPLACE.**
6. **BRUSH EXCESS DOUGH FROM BELT SCRAPER.**
7. **REMOVE BAGEL BELT TO CLEAN & SCRAPE BOTH DRIVE AND IDLER ROLLERS, USING PLASTIC BENCH KNIFE.**

NOTE:


THE BAGEL FORMING BELTS SHOULD REMAIN LOOSE WHEN MACHINE IS NOT IN USE TO AVOID STRETCHING.

 **CAUTION:**

ALWAYS REMOVE BELTS FROM MACHINE FOR CLEANING.

NOTE:

SEE ADJUSTMENT OF BAGEL BELT UNDER OPERATING INSTRUCTIONS ON PAGE (7) OF THIS MANUAL.

 **PRACTICE SAFETY FIRST:**

ALWAYS DISCONNECT ELECTRICAL SERVICE WHEN CLEANING OR MAINTAINING THIS MACHINE, THUS AVOIDING CHANCE OF SERIOUS INJURIES. MACHINES ARE NOT DANGEROUS IF COMMON SENSE IS APPLIED AND THE INSTRUCTIONS ARE CAREFULLY FOLLOWED. THINK AND PRACTICE SAFETY FIRST.

GUIDE TO GENERAL MAINTENANCE

READ AND FOLLOW MAINTENANCE INSTRUCTIONS BELOW TO HELP KEEP THE UNIT IN GOOD OPERATING CONDITION. REFER TO OTHER MATERIALS RECEIVED WITH THE UNIT AND TO SERVICE BULLETINS FROM THE MANUFACTURER FOR ADDITIONAL INSTRUCTIONS FOR PROPER MAINTENANCE AND SERVICE. REGULAR INSPECTIONS AND PROPER MAINTENANCE ARE ESSENTIAL TO HELP PREVENT ACCIDENTS AND INJURIES.



WARNING: BEFORE MAKING ANY INSPECTION, ADJUSTMENT OR REPAIR, BE CERTAIN POWER SOURCE IS DISCONNECTED AND ALL MOVING PARTS ARE BLOCKED OUT TO PREVENT INJURY. WEAR PROTECTIVE CLOTHING.

1. MAKE CERTAIN ALL GUARDS AND COVERS ARE IN PLACE.
2. CHECK FOR WORN, DAMAGED OR MISSING PARTS INCLUDING: BELTS, SAFETY GUARDS AND PROTECTIVE COVERS.
3. MAKE SURE THAT ALL FASTENERS ARE TIGHTENED SECURELY.
4. THE TABLE TOP AND OTHER WORKING SURFACES SHOULD BE CLEANED REGULARLY.
5. ON A DAILY BASIS INSPECT THE UNIT AND CHECK TO BE CERTAIN THAT ALL SYSTEMS ARE OPERATING NORMALLY. DETAILED INSPECTION AND TESTING PROCEDURES ARE SPECIFIED FOR VARIOUS COMPONENTS AT REGULAR INTERVALS. SET UP A CHART AND ASSIGN RESPONSIBILITY FOR THESE ITEMS.



DANGER: ALWAYS DISCONNECT ELECTRICAL SERVICE WHEN CLEANING, MAINTAINING OR REPAIRING THIS MACHINE.



CAUTION: REPLACE ANY DAMAGED OR MISSING SAFETY LABELS. THEY ARE AVAILABLE FROM THE MANUFACTURER.

MAINTENANCE FOR THE BF100 BAGEL FORMER ALWAYS BEGINS WITH KEEPING THE MACHINE CLEAN. PROPER CLEANING PROCEDURES CAN BE FOUND ON PAGE (8) OF THIS MANUAL. STANDARD LONG-TERM MAINTENANCE CONSISTS OF LUBRICATING MAIN WEAR POINTS OF THE MACHINE WITH AN ALL-PURPOSE LITHIUM BASE GREASE. A GREASE GUN WITH A FLEXIBLE HOSE IS NEEDED.

ALL RECOMMENDATIONS FOR MAINTENANCE, BASED ON A 7 DAY, 8 HR. PER DAY WORK SCHEDULE.

THE FIRST STEP OF NORMAL MAINTENANCE IS TO LOCATE THE GREASE FITTING ON THE FIRST OUTER FLANGE BEARING (PART #BDP10), (FIG. 1). WITH A GREASE GUN APPLY A SMALL AMOUNT OF GREASE TO THIS FITTING. THE SECOND BEARING IS SHROUDED BY THE CHAIN GUARD (PART # 104DR). THE GREASE FITTING ON THIS BEARING CAN BE LUBRICATED VIA THE ACCESS HOLE ON THE FRONT OF THE CHAIN GUARD. THESE PARTS SHOULD BE GREASED ONCE A WEEK.

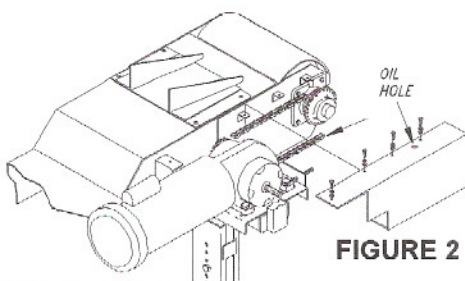


FIGURE 2

THE BF-100 BAGEL FORMER HAS A SINGLE DRIVE CHAIN (PART # 107DR). THIS PART MUST BE OILED REGULARLY WITH A LIGHT WEIGHT MACHINE OIL TO PROLONG LIFE OF THE SPROCKETS (PART #'S BDP12 / 106DR) AS WELL AS THE CHAIN. LOCATE THE OIL HOLE AT THE TOP OF THE CHAIN GUARD (PART #104DR). THOROUGHLY LUBRICATE THE CHAIN AT THIS POINT. NORMAL OPERATION OF THE FORMER AFTER THIS PROCEDURE, WILL DISTRIBUTE THE OIL OVER THE ENTIRE CHAIN AND SPROCKETS. THIS PROCEDURE MUST BE REPEATED ONCE A WEEK. NOTE: CHAIN CONDITION AND TENSION SHOULD BE CHECKED EVERY 60 DAYS. REMOVE CHAIN GUARD. INSPECT CHAIN AND MAKE NECESSARY ADJUSTMENTS. REPLACE CHAIN GUARD.

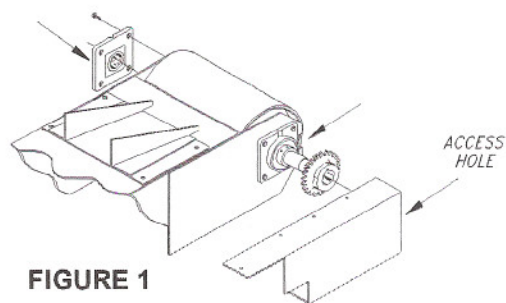


FIGURE 1

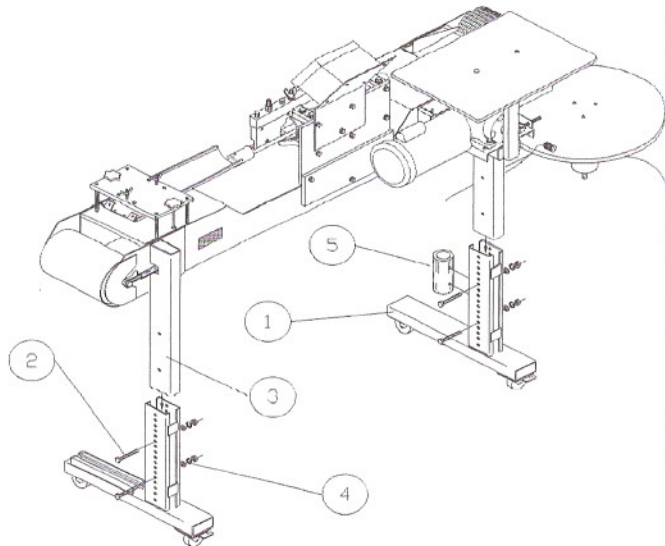
FOLLOW NORMAL CLEANING AND MAINTENANCE PROCEDURES OUTLINED IN THIS MANUAL. FOR ANY FURTHER ASSISTANCE CONTACT THE A.M. MFG. SERVICE DEPARTMENT @ (800)342-6744. THESE INSTRUCTIONS WILL HELP YOU SERVICE THE UNIT. INSTRUCTIONS ARE FOR A PERSON WITH SOME MECHANICAL ABILITY AND TRAINING. NO ATTEMPT HAS BEEN MADE TO DESCRIBE ALL BASIC STEPS. FOR EXAMPLE, HOW TO LOOSEN OR TIGHTEN FASTENERS. ALSO, BASIC PROCEDURES LIKE HOW TO CYCLE SYSTEMS AND CHECK OPERATION OF EQUIPMENT ARE NOT DESCRIBED SINCE THEY ARE EXPECTED TO BE KNOWN TO ANYONE WHO PERFORMS MECHANICAL AND SERVICE WORK. DO NOT ATTEMPT TO PERFORM WORK BEYOND YOUR ABILITY OR AT WHICH YOU HAVE NO EXPERIENCE. IF YOU NEED ASSISTANCE CALL AN AUTHORIZED SERVICE CENTER OR CONTACT A.M. MANUFACTURING SERVICE DEPARTMENT @ (800)342-6744

ASSEMBLY INSTRUCTIONS

THE BF-100 BAGELFORMER REQUIRES SOME ASSEMBLY BEFORE OPERATING. THE LEGS AND TABLES HAVE BEEN REMOVED FOR SHIPPING PURPOSES.

FAILURE TO ASSEMBLE PROPERLY COULD CAUSE PERSONAL INJURY OR PROPERTY DAMAGE.

CAUTION: FOR SAFE ASSEMBLY, AT LEAST TWO PEOPLE ARE REQUIRED. SOME PARTS ARE HEAVY AND MAY CAUSE STRAIN AND INJURY IF ASSEMBLY IS ATTEMPTED BY JUST ONE PERSON.



STEPS FOR EASY ASSEMBLY:

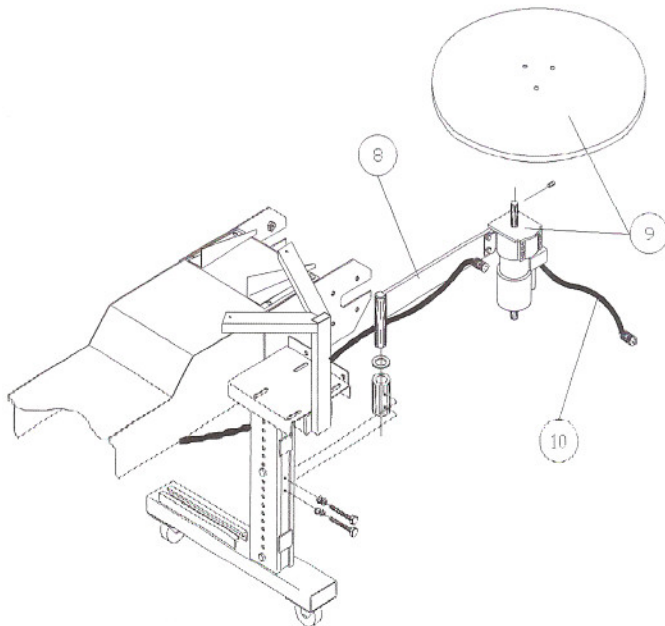
- A. REMOVE LEGS (PART NO. 656CA) FROM CRATE.
- B. LOCATE LEG BOLTS (PART NO. F0612HH).
- C. SLIDE IDLER LEG OVER LEG POST TO DESIRED HEIGHT, WITH CASTERS AND LEG BASE DIRECTLY UNDER MACHINE. PLACE LEG BOLTS INTO VISIBLE HOLES.
- D. INSTALL WASHER, NUTS AND TIGHTEN SECURELY.
- E. REMOVE SWIVEL MOUNT (PART NO. BRT35) FROM DRIVE LEG.
- F. REPEAT STEPS 2 THRU 4 FOR DRIVE LEG.
- G. RE-ASSEMBLE SWIVEL MOUNT (PART NO. BRT35) TO LEG.

NOTE: SEE CABINET WELDMENT ASSEMBLY FOR DETAILS AND PART NUMBERS..

INSTRUCTIONS FOR TABLE ASSEMBLIES:

- A. LOCATE THE SWING ARM / MOTOR MOUNT (PART NO. BRT34) FOR THE ROTARY TABLE. INSERT INTO SWIVEL MOUNT, (PART NO. BRT35).
- B. CONNECT ROTARY TABLE MOTOR LEAD (PART NO. BRT33), TO THE MAIN DRIVE MOTOR LEAD (PART NO. BRT37).
- C. ATTACH ROTARY TABLE (PART NO. BRT32) TO THE ROTARY TABLE MOTOR (PART NO. BRT33), AND TIGHTEN SET SCREW (PART NO. F0401SS), SECURELY MAKING SURE THAT KEY (PART NO. F0304KY) IS IN MOTOR SHAFT SLOT.

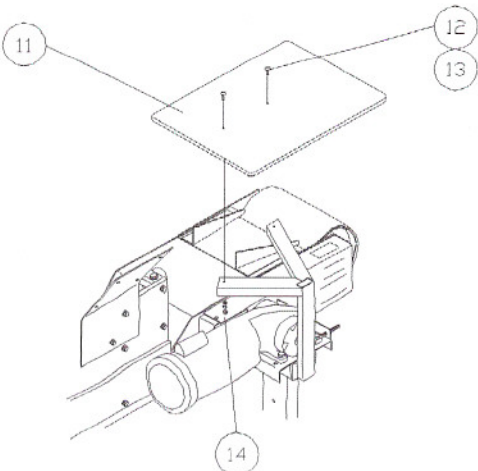
NOTE: SEE ROTARY & STATIONARY TABLE ASSEMBLY FOR DETAILS AND PART NUMBERS



INSTRUCTIONS FOR "OPTIONAL" TABLE ASSEMBLIES

- A. REMOVE 17" X 23" STATIONARY TABLE (PART NO. BRT11) FROM CRATE.
- B. LOCATE TABLE BOLTS (PART NO. F0408CB).
- C. INSERT TABLE BOLTS THRU TABLE INTO STATIONARY TABLE MOUNT (PART NO. 660CA).
- D. INSTALL WASHERS, NUTS (PART NO.'S F0400FW & F0400LW, F0400NC) AND TIGHTEN SECURELY.

NOTE: SEE ROTARY & STATIONARY TABLE ASSEMBLY FOR DETAILS AND PART NUMBERS..



FORMING BELT TIGHTENING PROCEDURES

WARNING: BEFORE TIGHTENING BELT, BE CERTAIN THAT THE POWER SOURCE IS DISCONNECTED.

FOLLOW STEPS IN ORDER FOR PROPER BELT TENSION.

STEP 1: WITH ADJUSTING KNOB PART NO. 200000, TIGHTEN OR LOOSEN HEX NUT SHOWN AS FIGURE 1, PART NO. 103IR-2. TURN KNOB COUNTER CLOCKWISE NO MORE THAN FIVE ROTATIONS BEFORE MAKING SAME ADJUSTMENT TO OPPOSITE SIDE. (USE THIS ALTERNATING PATTERN TO LOOSEN BELT ALSO.)

STEP 2: RECONNECT POWER SOURCE AND START THE MACHINE. NOTE HOW THE BELT TRACKS. IF THE BELT TRACKS ON THE CENTER OF THE ROLLER, YOU ARE READY TO START PRODUCTION. IF NOT, DISCONNECT FROM POWER SOURCE AND REPEAT STEP 1, INSURING EQUAL ADJUSTMENT TO EACH SIDE.

STEP 3: TURN ON POWER TO BAGEL FORMER. CHECK TO SEE IF FORMING BELT IS TRACKING IN CENTER OF ROLLER.

STEP 4: IF BELT DRIFTS TO THE RIGHT OR LEFT SHUT OFF POWER AND UNPLUG MACHINE. REPEAT STEP 2, TIGHTENING THE SIDE THAT THE BELT IS TRACKING TO.

STEP 5: REPEAT STEPS 2-4 UNTIL BELT TRACKS IN CENTER OF THE IDLER ROLLER.

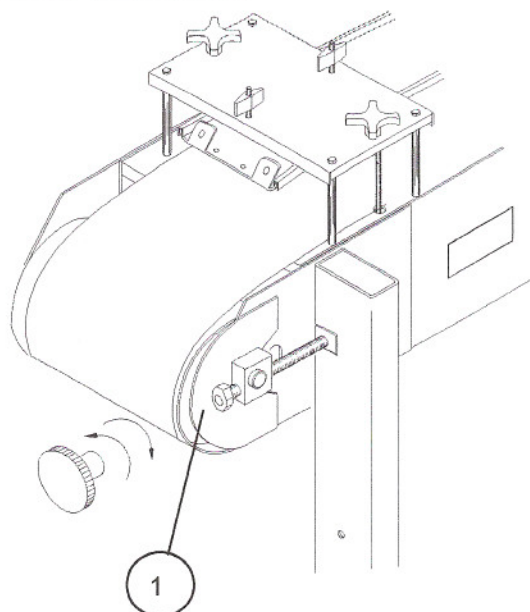


FIGURE 1



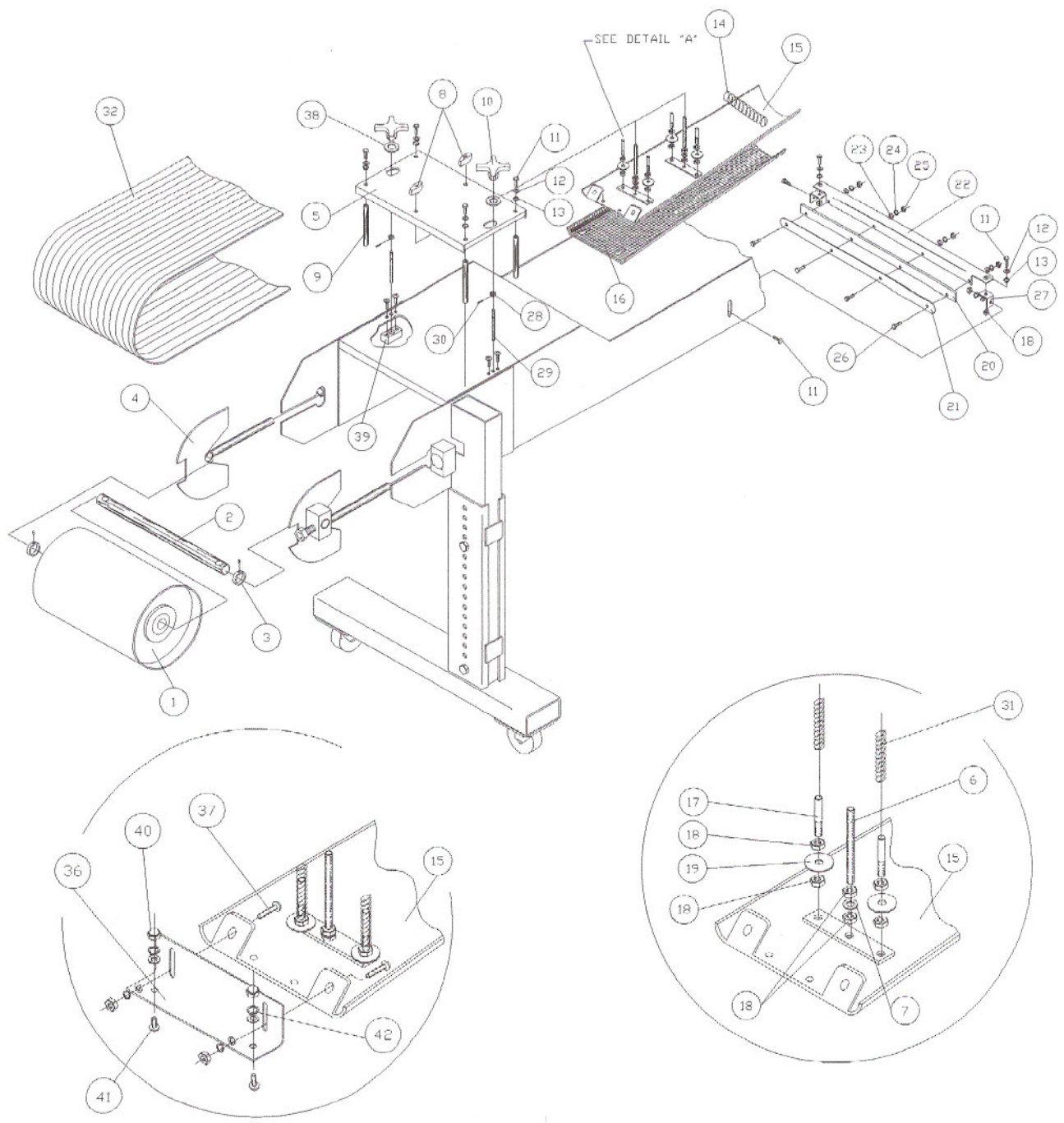
IF YOU HAVE ANY (?) QUESTIONS ABOUT GUARDS OR GUARD REPLACEMENT CALL 1- 800-342-6744..

IDLER ROLLER ASSEMBLY



IMPORTANT

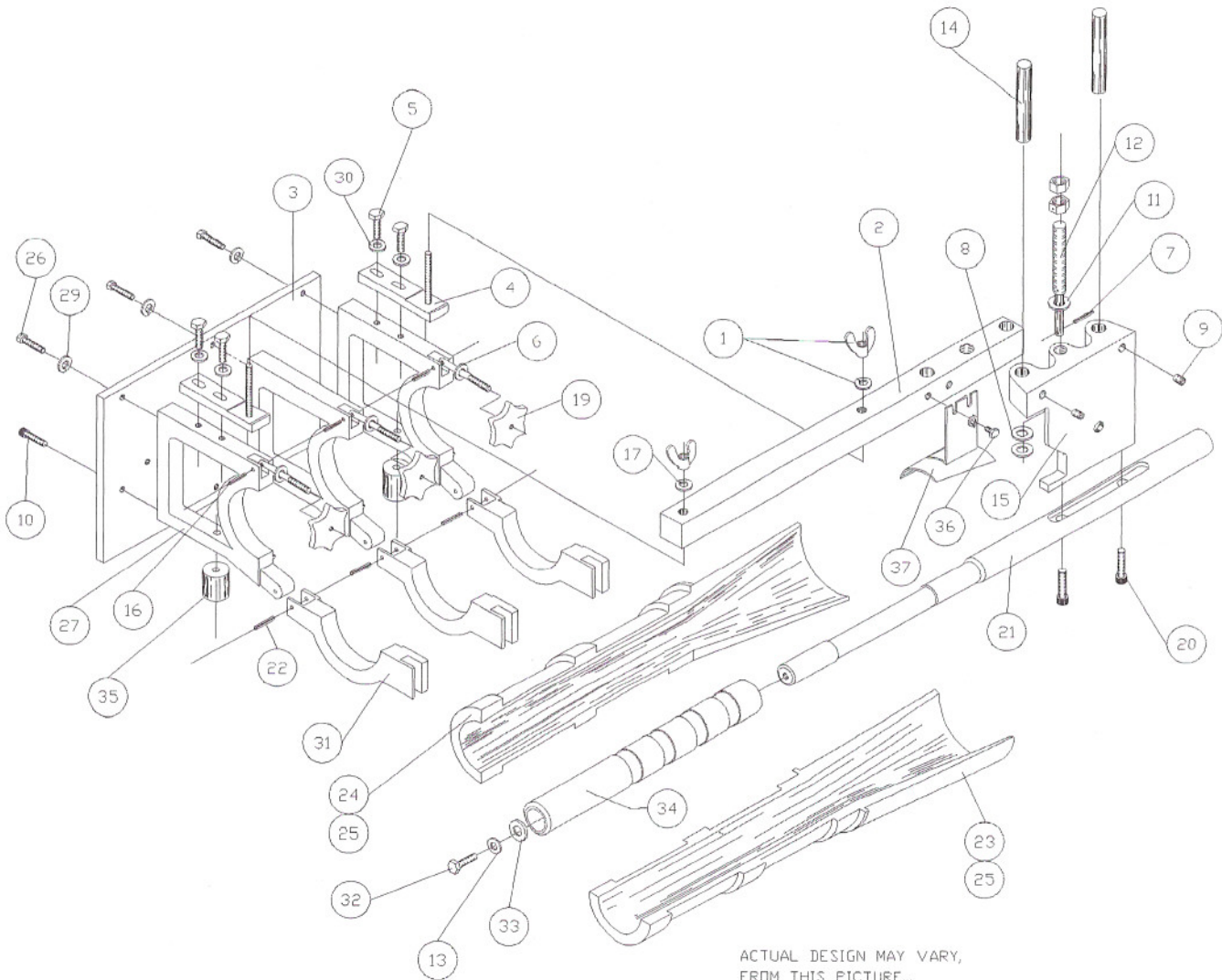
KNOW YOUR UNIT. COMPARE DIAGRAMS IN THIS MANUAL WITH THE UNIT BEFORE STARTING SERVICE TO OBTAIN MAXIMUM SAFETY AND PERFORMANCE.



IDLER ROLLER ASSEMBLY

ITEM	PART NO.	DESCRIPTION	NO. REQ'D
1	100IR	IDLER ROLLER	1
2	101IR-A	IDLER SHAFT	1
3	102IR	SHAFT COLLAR W/ SET SCREW	2
4	103IR-A	ROLLER GUARD L/R	2
5	104IR	MOUNTING BRIDGE	1
6	F0416SD	1/4-20 THREADED ROD	2
7	F0400FW	FLAT WASHER	2
8	F0400PWNO	1/4-20 LG. WING NUT	2
9	105IR	SUPPORT COLUMN	4
10	800phk	KNOB	2
11	F0404HH	1/4-20 BOLT	4
12	F0400FW	FLAT WASHER	10
13	F0400LW	LOCK WASHER	10
14	SFPP12-1A	PRESSURE PLATE FACING SPRING	1
15	SFPP13	PRESSURE PLATE (TOP)	1
16	SFPP12-1	PRESSURE PLATE FACING	1
17	SFPP24	STUD	4
18	F0400NC	1/4-20 NUT	12
19	F0400FW	FLAT WASHER	12
20	152 RC	PLASTIC STRIP	2
21	132RC	BLADE	1
22	133RC	SUPPORT BRACKET	1
23	F9700LW	LOCK WASHER	4
24	F9700FW	FLAT WASHER	4
25	F9700NC	#8 HEX NUT	4
26	F9703HH	#8 PAN HEAD BOLT	4
27	106IR	ANGLE SUPPORT BRACKET	4
28	F0800NC	1/2-13 HEX NUT	2
29	107IR	1/2-13 THREADED ROD	2
30	F0300RP	PIN	2
31	SFPP19	SPRING	4
32	BDP21	STD. BAGELFORMER 100 BELT	1
36	SFPP18	90° DOUGH GUIDE	1
37	F0404TH	1/4-20 TRUSS HEAD BOLT	6
38	F1400NW	NYLON WASHER	2
39	655CA-14	ADJUSTING BLOCK	2
40	F0400CN	NUT	2
41	F040RRH	SCREW	2
42	F0400LW	LOCK WASHER	2

FORMING ASSEMBLY - MANDREL



ACTUAL DESIGN MAY VARY,
FROM THIS PICTURE...

FORMING ASSEMBLY - MANDREL

ITEM	PART NO.	DESCRIPTION	NO. REQ'D
1	F0500WN	WING NUT	2
2	BFM2	MANDREL MOUNT BAR	1
3	BFM3	ASSEMBLY MOUNT PLATE	1
4	BFM4	HORIZONTAL ADJUSTING BLOCK W/ 2-F0510FH BOLT	2
5	F0406HH	BOLT	11
6	BFM	STUD-LOCKING HINGED	3
7	F0304RP	ROLL PIN	1
8	F0600FW	WASHER	2
9	F0602SS	SET SCREW	2
10	F0405SH	BOLT	16
11	F1000NC	LOCK NUT	1
12	BFM12	VERTICAL ADJUSTING SCREW W/2-BFM13 HEX NUT	1
13	F0400LW	LOCK WASHER	2
14	BFM14	VERTICAL SLIDE PIN	2
15	BFM15	MANDREL SUPPORT	1
16	BFM25	ROLL PIN	3
17	BFM17	WASHER	2
19	BFM19	STAR KNOB	3
20	BFM20	S.H. SCREW	2
21	BFM23	MANDREL-ADAPTER SUPPORT (STANDARD)	1
	BFM37E	1-1/8" DIA. MANDREL - ADAPTER SUPPORT	1
	BFM37F	1-1/4" DIA. MANDREL - ADAPTER SUPPORT	1
22	F0405RP	HINGE PIN	3
23	BFM21	9.0" FORMING TUBE, RIGHT (OUTER)	1
24	BFM24	9.0" FORMING TUBE, LEFT (INNER)	1
25	*BFM54	5.0" FORMING TUBE SET	1
	*BFM40	6.0" FORMING TUBE SET	1
	*BFM50	7.0" FORMING TUBE SET	1
	*BFM51	8.0" FORMING TUBE SET	1
	*BFM41	10.0" FORMING TUBE SET	1
	*BFM53	11.0" FORMING TUBE SET	1
26	F0406HH	BOLT	3
27	BFM27	FORMING TUBE HOLDER	2
29	F0400LW	LOCK WASHER	3
30	F0400FW	FLAT WASHER	4
31	BFM31	FORMING TUBE CLAMP	3
32	F0606HH	BOLT	1
33	BFM33	WASHER 1-3/8 OD X 3/8 ID X 1/8	1
34	BFM35	1-7/8" DIA. MANDREL SLEEVE (STANDARD)	1
	*BFM34	1-1/2" DIA. MANDREL SLEEVE	1
	*BFM36	1-3/4" DIA. MANDREL SLEEVE	1
	*BFM37	2.0" DIA. MANDREL SLEEVE (BULL)	1
	*BFM37A	2-1/8" DIA. MANDREL SLEEVE	1
	*BFM37B	2-1/4" DIA. MANDREL SLEEVE	1
	BFM37C	2-3/8" DIA. MANDREL SLEEVE	1
35	BFM43	ALUM SPACER	2
36	F0402HH	HEX NUT	2
37	BFM52P	DOUGH DEFLECTOR	1

BFM1AS STANDARD COMPLETE BFM ASSEMBLY FROM MINI TO STANDARD SET-UP INCLUDES:

1-BFM MANDREL MOUNT BAR	1-BFM23 MANDREL ADAPTER SUPPORT
2-BFM14 VERTICAL SLIDE PIN	1-BFM12 VERTICAL ADJUSTING SCREW
1-BFM15 MANDREL SUPPORT	1-BFM21 FORM TUBE RIGHT- OUTER
ADJUSTING ASS. W/ 1-BFM16 VERTICAL PLATE	1-BFM24 FORM TUBE LEFT-INNER
2-BFM7 ROLL PIN	1-BDP21 STANDARD BAGEL CONV. W/BDP21 BELT 9" WIDE
2-BFM8 WASHER	1-BFM39 MANDREL BRIDGE
1-BFM35 MANDREL SLEEVE 1-7/8"	1-BFM11 HEX NUT
1-BFM32 BOLT	1-F0402HH BOLT
1-BFM33 WASHER	1-BFM52L DOUGH SHIELD
2-BFM20 SOCKET HEAD SCREW	2-F0402HH BOLT
1-BFM13 HEX NUT	2-F0400FW FLAT WASHER
1--F0204RP ROLL PIN	2-F0400LW LOCK WASHER
2-F0606SH BOLT	
1-F0602SS SET SCREW	

BFM2A STANDARD COMPLETE BFM ASSEMBLY FROM BULL TO STANDARD SET-UP INCLUDES:

BFM21 FORM TUBE RIGHT-OUTER
 1-BFM24 FORM TUBE LEFT-INNER
 1-BFM35 MANDREL SLEEVE 1-7/8"
 1-BDP21 STANDARD BAGEL CONV. W/ 9" BELT

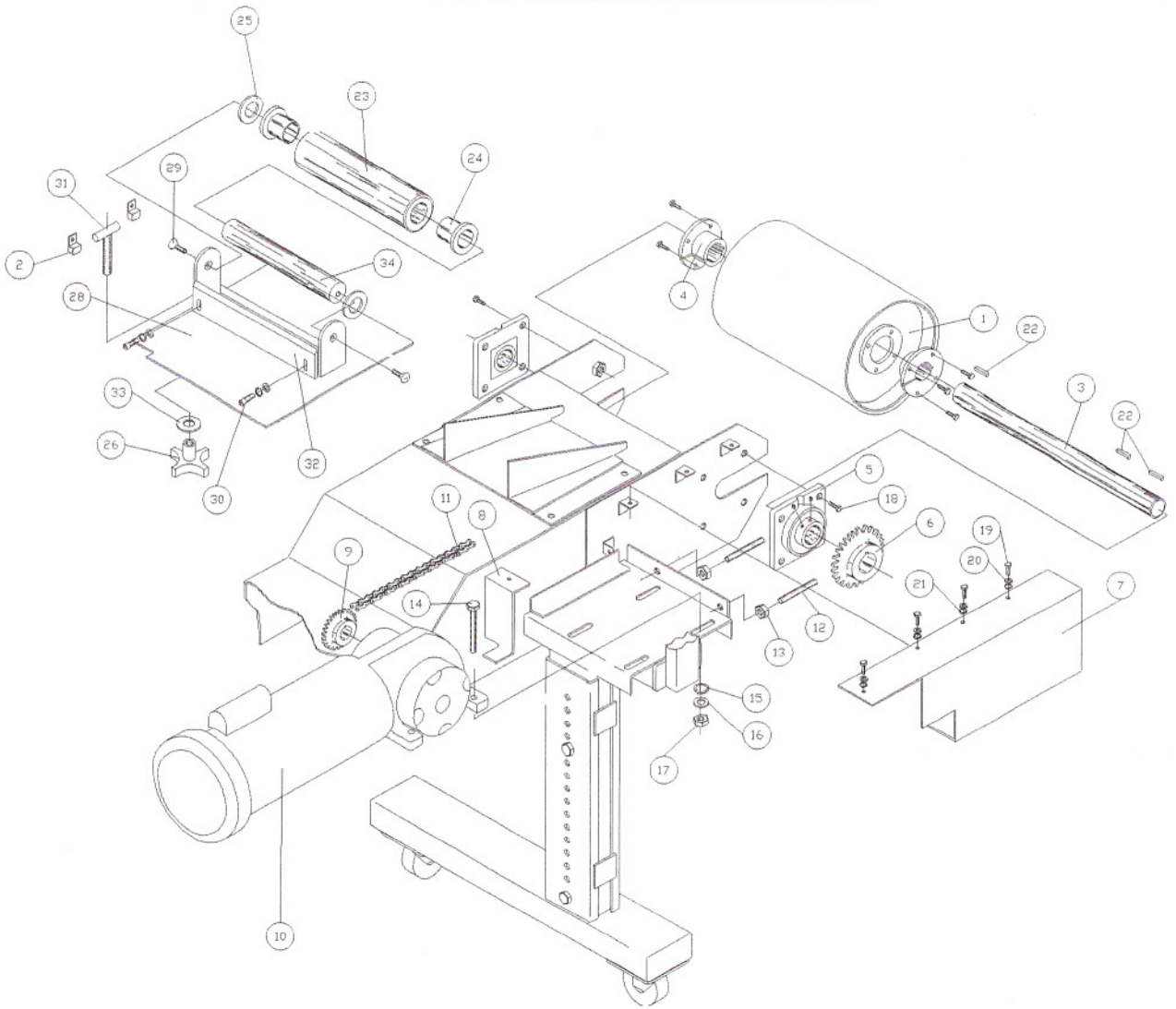
BFM3A MINI SET-UP FROM STANDARD TO MINI SET-UP & FROM BULL TO MINI SET-UP INCLUDES:

1-BDP23 MINI BAGEL W/6" WIDE CON. BELT	1-BFM2 BAR MANDREL MOUNT
1-BFM40 MINI FORMING TUBE	1-BFM11 HEX NUT
1-BFM42 MANDREL & SUPPORT BAR 1-1/8"	1-BFN12 VERT. ADJUSTING SCREW W/BFM13 HEX NUT
1-BFM15 VERT. PLATE MANDREL SUPPORT ADJUSTING ASSEMBLY	2-BFM14 VERT. SLIDE PIN

BFM4A BULL SET-UP ASSEMBLY INCLUDES:

BFM41 FORMING TUBES	BFM37 MANDREL SLEEVE 2" DIA.
BDP22 BULL BAGEL CONV. BELT 10" WIDE	

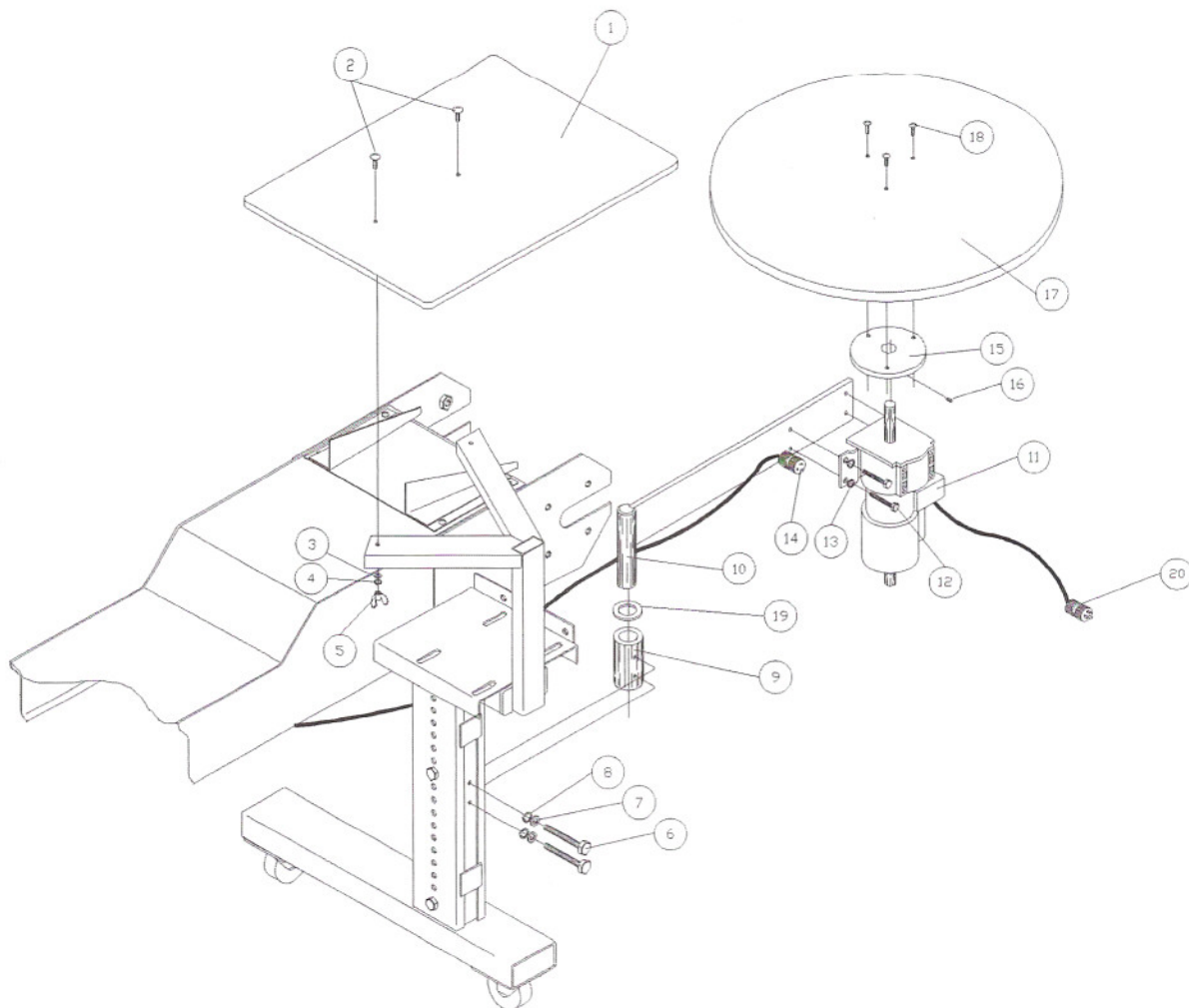
DRIVE ROLLER ASSEMBLY



DRIVE ROLLER ASSEMBLY

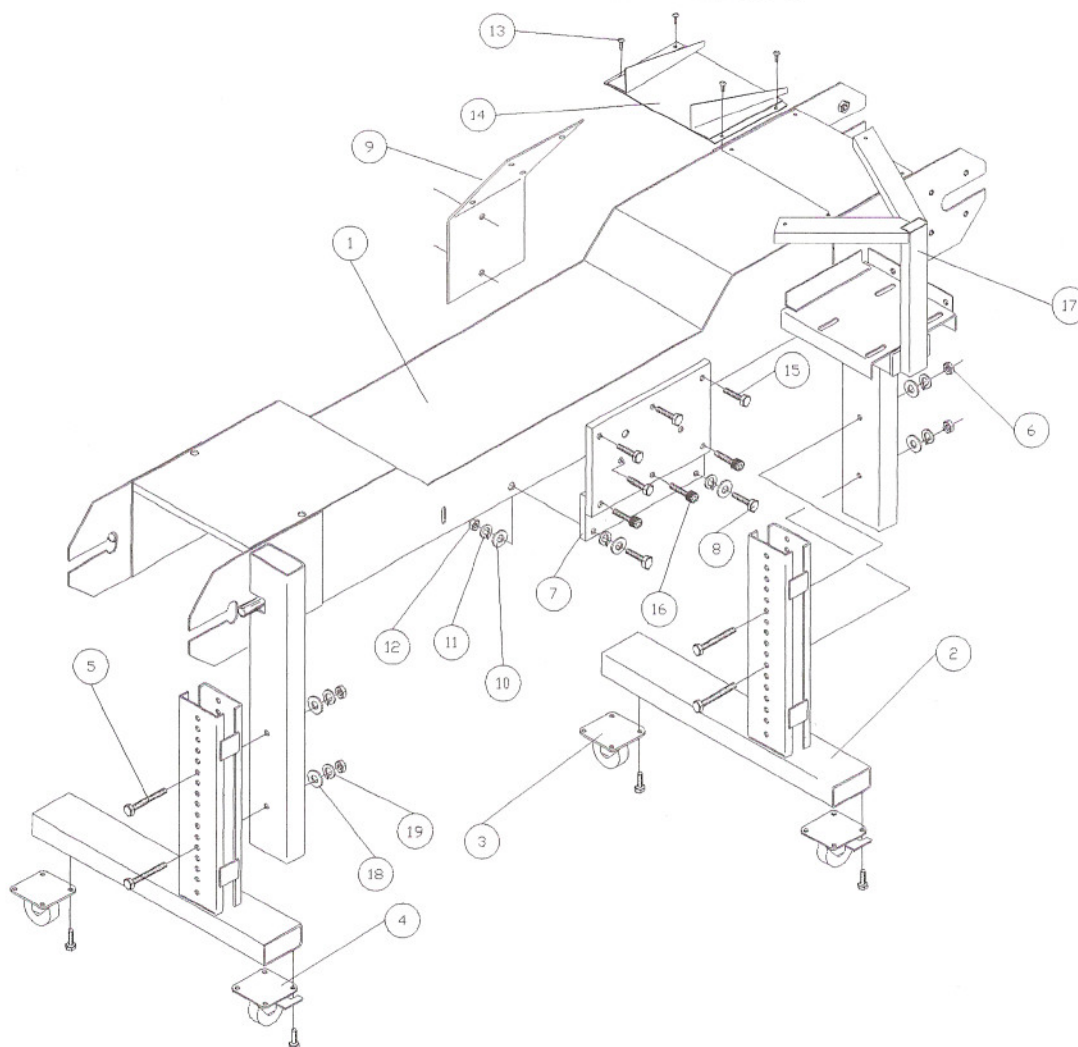
ITEM	PART NO.	DESCRIPTION	NO. REQ'D
1	100DR	DRIVE PULLEY	1
2	115DR-A5	T-HANDLE MOUNT	2
3	102DR	DRIVE SHAFT	1
4	103DR	PULLEY HUB	2
5	BDP10	FLANGE BEARING	2
6	117DR	SPROCKET	1
7	104DR	CHAIN GUARD	1
8	105DR	GUARD SUPPORT	1
9	106DR	MOTOR SPROCKET	1
10	SS251	GEAR MOTOR	1
11	107DR	DRIVE CHAIN	1
12	108DR	1/2 - 13 BOLT	2
13	F0800NC	1/2 - 13 NUT	2
14	F0606HH	3/8 - 16 BOLT	4
15	F0600LW	LOCK WASHER	4
16	F0600FW	FLAT WASHER	4
17	F0600NC	3/8 - 16 NUT	4
18	F0805HH	1/2 - 13 HEX BOLT	8
19	F0403HH	1/4 - 20 BOLT	4
20	F0400LW	LOCK WASHER	6
21	F0400FW	FLAT WASHER	6
22	109DR	KEY 5/16"	3
23	110DR	BELT ROLLER	1
24	112DR	BRONZE BEARING	2
25	F1400NW	NYLON WASHER	2
26	113DR	KNURLED KNOB	1
28	115DR-A	SWING PLATE	1
29	F0402FS	1/4 - 20 FLAT SOCKET HEAD	2
30	F0403SH	1/4 - 20 SOCKET HEAD	2
31	F0812SD	1/2 - 13 X 3 STUD	1
32	111DR	SCRAPER BLADE	1
33	F0800FW	FLAT WASHER	1
34	116DR	BELT ROLLER SHAFT	1

ROTARY & STATIONARY TABLE ASSEMBLY



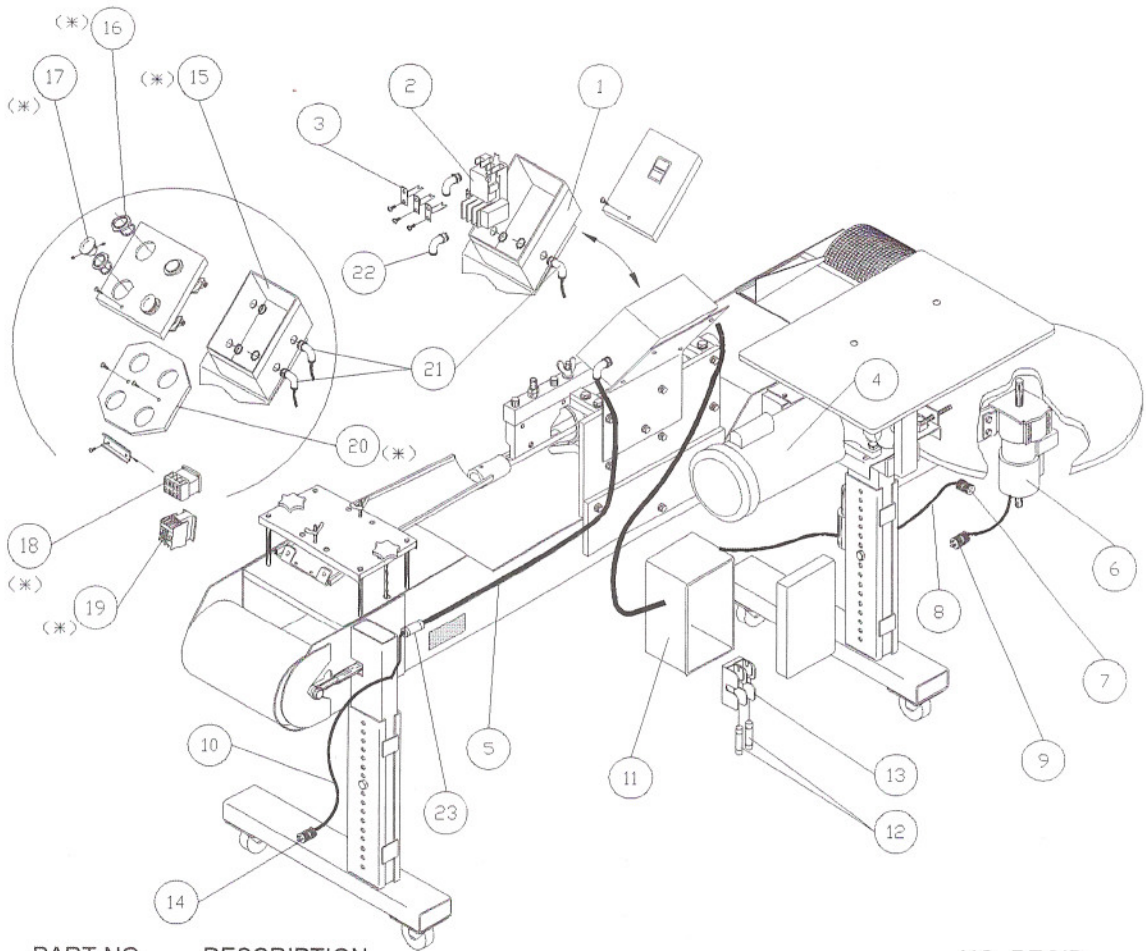
<u>ITEM</u>	<u>PART NO.</u>	<u>DESCRIPTION</u>	<u>NO. REQ'D</u>
1	BRT11A	STATIONARY TABLE	1
2	F0408CB	CARRIAGE BOLT	2
3	F0400FW	FLAT WASHER	2
4	F0400LW	LOCK WASHER	2
5	F0400WN	WING NUT	2
6	F0617HH	3/8 - 16 HEX BOLT	2
7	F0600LW	LOCK WASHER	2
8	F0600FW	FLAT WASHER	2
9	BRT35	SWIVEL MOUNT	1
10	BRT34	SWING ARM / MOTOR MOUNT	1
11	SS267	MOTOR	1
12	F0404HH	1/4 - 20 HEX BOLT	4
13	F0400LW	LOCK WASHER	4
14	SS154	CONNECTOR	1
15	BRT36	TABLE FLANGE	1
16	F0401SSDP	1/4 - 20 SET SCREW	1
17	BRT32	24" ROTARY TABLE	1
18	F0401FH	1/4 - 20 F.H. ALLEN BOLT	3
19	416CDF	SPACER BUSHING	1
20	SS153	MOTOR PLUG	1

CABINET WELDMENT



<u>ITEM</u>	<u>PART NO.</u>	<u>DESCRIPTION</u>	<u>NO. REQ'D</u>
1	655CA	MAIN CABINET WELDMENT	1
2	656CA	MAIN CABINET SUPPORT LEG	2
3	621CA2	SWIVEL CASTER	2
4	621CA1	SWIVEL CASTER (LOCKING)	2
5	F0612HH	3/8 - 11 X 3" HEX HD. BOLT	2
6	F0600NC	3/8 - 11 HEX NUT	2
7	BFM3-2	MANDREL EXTENSION PLATE	1
8	F0504HH	5/16 - 18 HEX BOLT	3
9	658CA-1	ELECTRICAL BOX DECK	1
10	F0500FW	FLAT WASHER	9
11	F0500LW	LOCK WASHER	9
12	F0500NC	HEX NUT	3
13	F9702RH	#8 - 32 SCREW	4
14	659CA	BELT GUIDE	1
15	F0403SH	1/4 - 20 X 3/4 LG. SOCKET HD. BOLT	3
16	F0404HH	1/4 - 20 X 1.0 LG. HEX HD. BOLT	3
17	660CA	STATIONARY TABLE MOUNT	1
18	F0600FW	FLAT WASHER	4
19	F0600LW	LOCK WASHER	4

ELECTRICAL LAYOUT

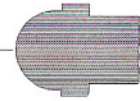


ITEM	PART NO.	DESCRIPTION	NO. REQ'D
1	661CA	ELECTRICAL ENCLOSURE	1
2	SS239	MOTOR STARTER	1
3	SS206	OVER LOADS 208/220 AMP	3
4	SS251	DRIVE MOTOR	1
5	SS107	LIQUID TIGHT	35" / 17" / 17"
6	SS267	ROTARY TABLE MOTOR	1
7	SS154	CONNECTOR	1
8	SS221	16/3 CAROLPRENE WIRE	40" / 12" / 40"
9	SS153	PLUG	1
10	SS225	16/4 CAROLPRENE WIRE	8 FT.
11	SS289	FUSE BOX	1
12	SS290	FUSE	2
13	SS142	FUSE HOLDER	1
14	SS159	PLUG	1
15	SS279	ELECTRICAL ENCLOSURE	1
16	SS184	START BUTTON	2
17	SS185	STOP BUTTON	2
18	SS236	MOTOR CONTROLLER	1
19	SS237	MOTOR STARTER	1
20	662CA	ELECTRICAL PANEL	1
21	SS284	1/2" 45 DEG. ELBOW	1 (BF-100) 2 (KK2100)
22	SS288	3/8" 45 DEG. ELBOW	2
23	SS348	CORD GRIP ASSEMBLY	1 (BF-100) 2 (RK2100)
24	SS157	CONTROL PLUG	1 (RK2100)

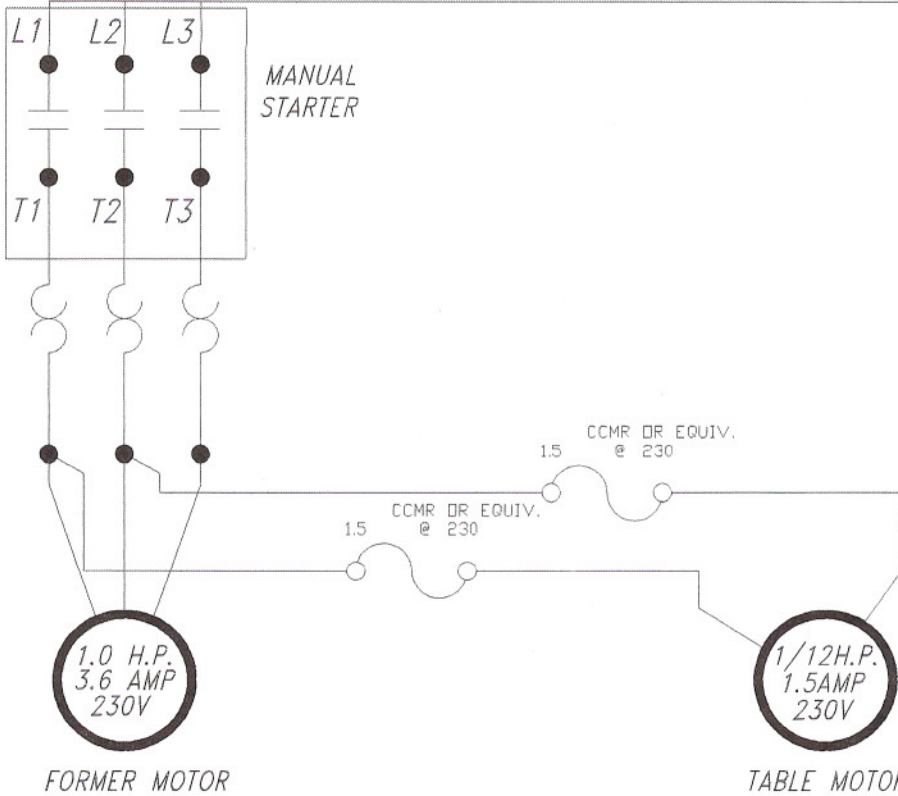
(* NOTE: OPTIOAL WITH ROTARY KNIFE DIVIDER/FORMER: MODEL RK2100...

ELECTRICAL DIAGRAM

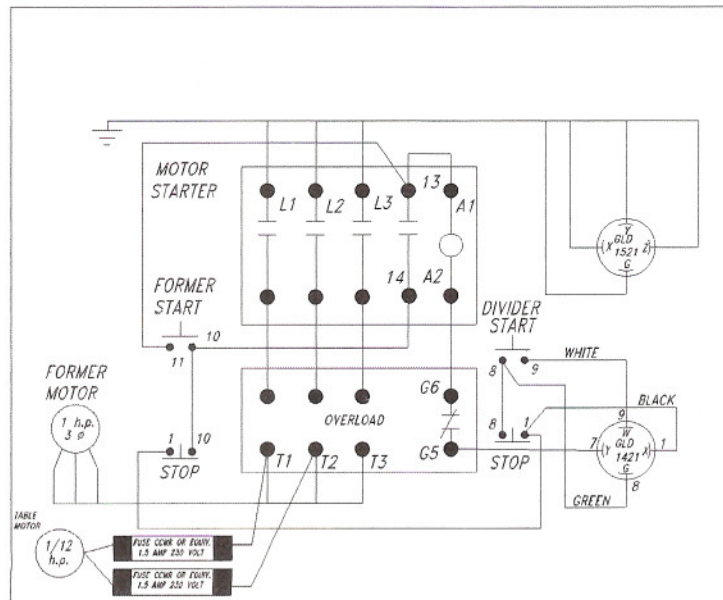
3 PHASE LINE



PLUG 2421
 3Ø 230 VOLT



DETAIL "A"



NOTE:
 DETAIL "A" OPTIONAL WITH ROTARY
 KNIFE DIVIDER / BAGEL FORMER
 MODEL: RK2100

ORDERING REPLACEMENT PARTS

IMPORTANT:

ONLY USE FACTORY SUPPLIED REPLACEMENT PARTS TO MAINTAIN MACHINE SAFETY, PERFORMANCE AND SANITARY CONDITIONS.

USE OF NON-APPROVED PARTS MAY VOID MANUFACTURES WARRANTY.

TO ORDER REPLACEMENT PARTS ALWAYS:

- 1) CHECK THE MACHINE TOP IDENTIFY MISSING, DAMAGED OR NON-FUNCTIONAL PARTS INCLUDING GUARDS, WARNING LABELS AND INSTRUCTIONS.
- 2) COMPARE THE LIST WITH THE PARTS DIAGRAMS SUPPLIED.
- 3) RECORD THE COMPLETE MODEL AND SERIAL NUMBER OF THE UNIT.
- 4) CALL A.M. MANUFACTURING (800) 342-6744 AND PROVIDE ALL INFORMATION NOTED ABOVE TO EXPEDITE ORDER PROCESSING AND HELP REDUCE SHIPPING COST.
- 5) PROVIDE COMPLETE DETAILS FOR (SHIP TO) AND (BILL TO) INFORMATION. TO ASSIST PROMPT DELIVERY, SPECIFY TYPE OF CARRIER PREFERRED IN SHIPMENT.
- 6) ALL MAJOR CREDIT CARDS ACCEPTED.

