

# Repair Parts List

MODEL NUMBER

RFS12SW2

MANUFACTURING  
NUMBER

P1327712M

## COMMERCIAL MICROWAVE

When requesting service or ordering parts, always provide the following information:

- Product Type
- Part Number
- Model Number
- Part Description

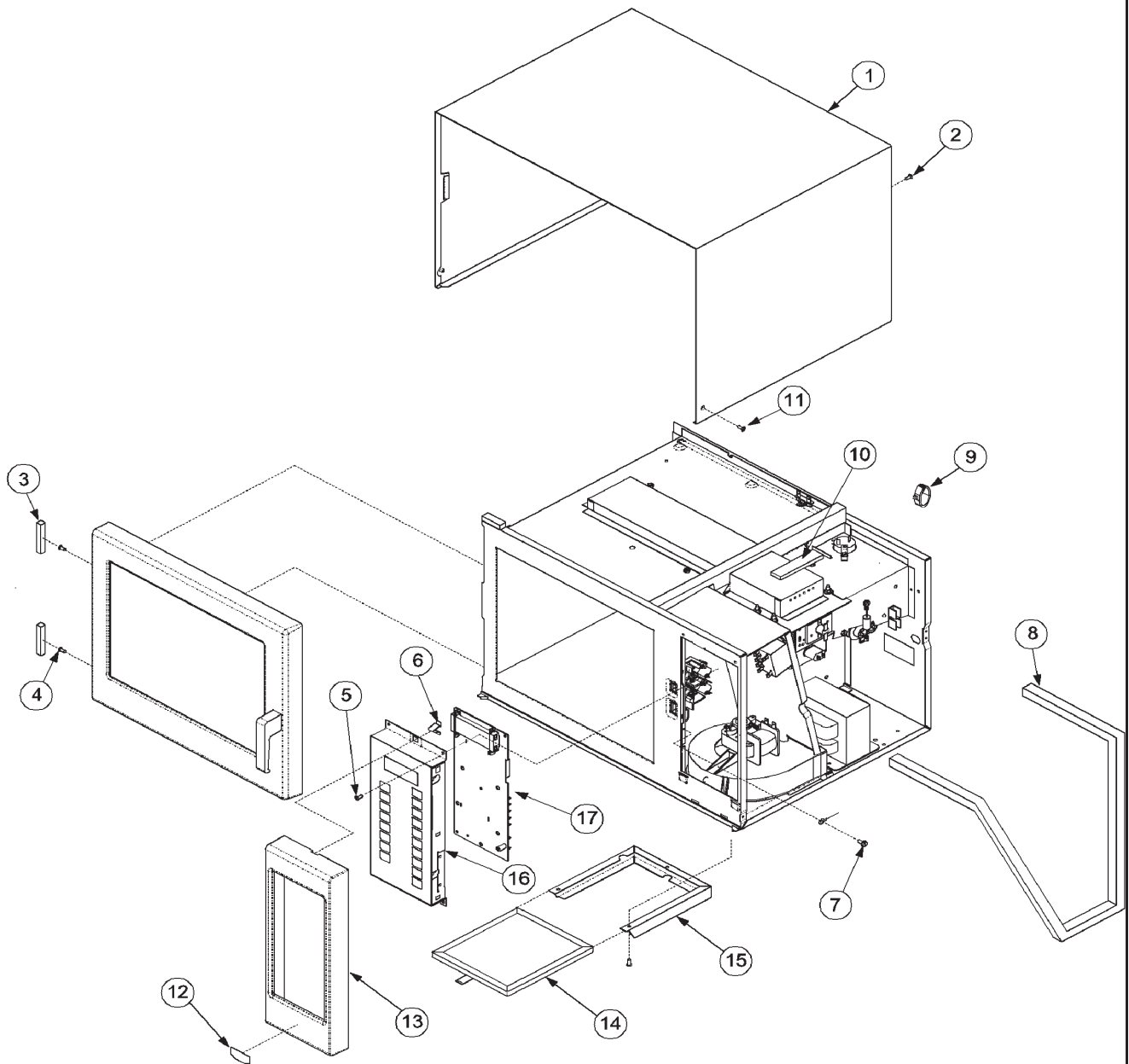
***Amana***<sup>®</sup>  
HIGH PERFORMANCE HAS A NAME™

PART OF  FOODSERVICE GROUP

December 15 2006

Section: OUTER CASE

Model: RFS12SW2\_P1327712M

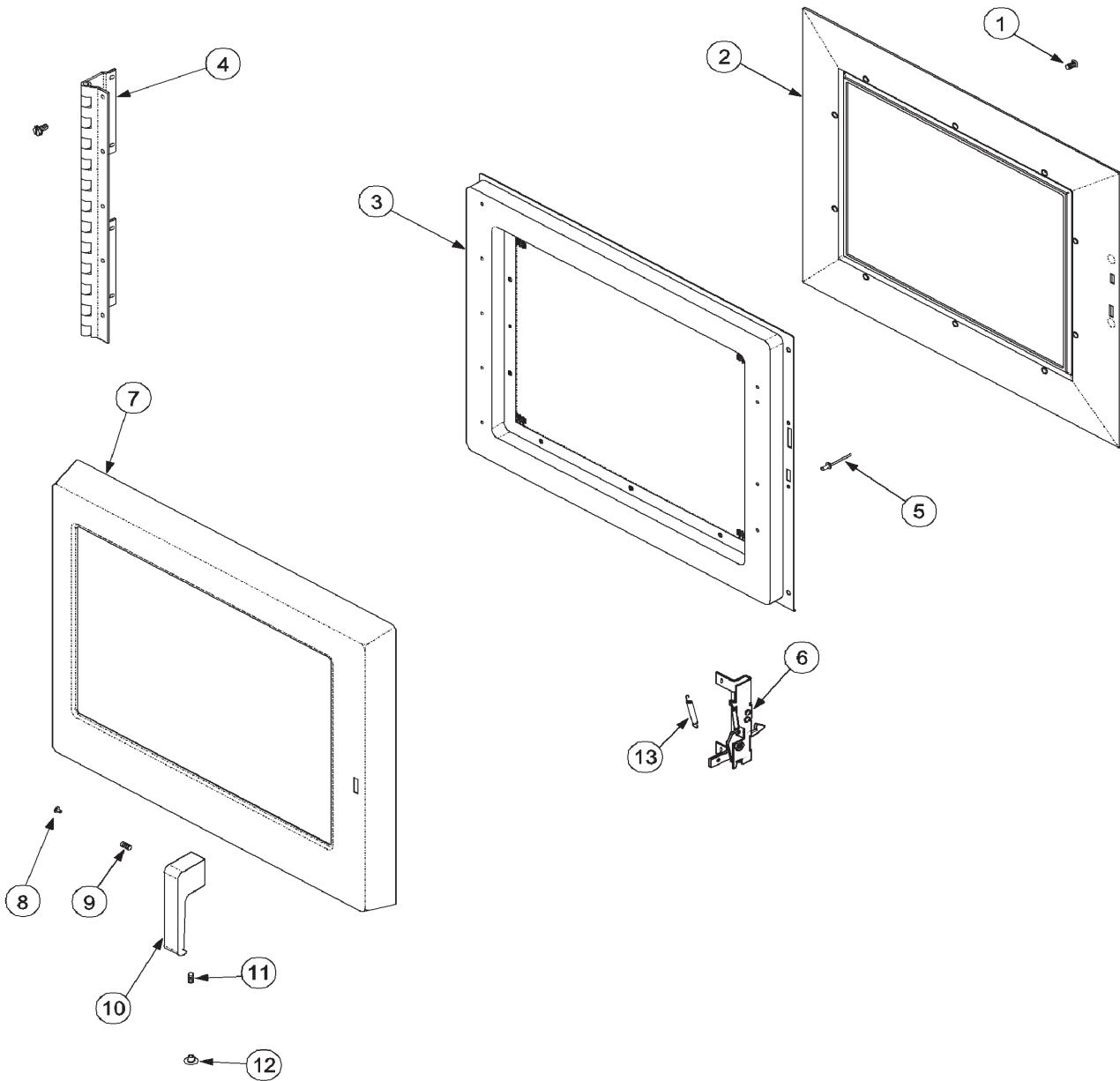


**Section: OUTER CASE**

| No.  | Part No.  | Description           | Series Qty |
|------|-----------|-----------------------|------------|
| 1    | D7684903  | WRAPPER               | 1          |
| 2    | M0231717  | SCREW, TF             | 6          |
| 3    | A3263904  | GASKET                | 2          |
| 4    | M0229716  | SCREW                 | 4          |
| 5    | M0231717  | SCREW, TF             | 2          |
| 6    | B8379401  | CLIP                  | 1          |
| 7    | M0231717  | SCREW, TF             | 1          |
| 8    | A3263907  | GASKET - EACH         | 1          |
| 9    | M0118705  | CLIP, GUIDE           | 1          |
| 10   | M0275501  | SEALER                | 1          |
| 11   | M0249632  | SCREW, T F            | 2          |
| 12   | 59001118  | LABEL, RFS12SW2       | 1          |
| 13 N | 12667401  | ESCUTCHEON,SIDE       | 1          |
| 14   | 10169101  | FILTER PREFORM        | 1          |
| 15   | D7740902  | BRACKET               | 1          |
| 16   | R9900591  | ASSY, TOUCH PANEL     | 1          |
| 17   | R0131383  | KIT,HV/LV BOARD       | 1          |
| -    | RS2240001 | SVC MNL, COMM'L MICRO | 1          |
| -    | 59001023  | SHEET, TECH DATA      | 1          |

Section: DOOR

Model: RFS12SW2\_P1327712M



## Section: DOOR

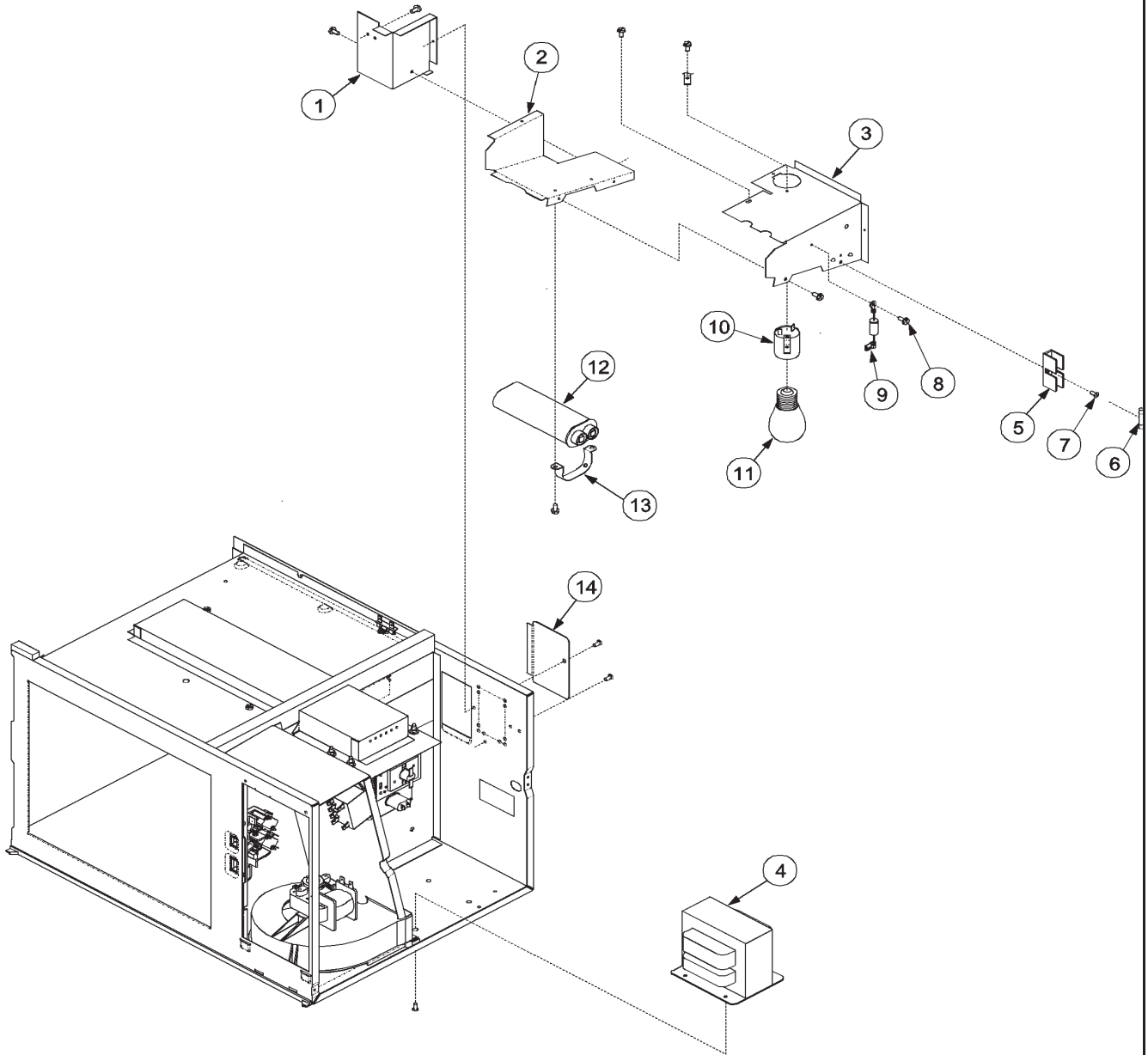
| No. | Part No.                   | Description               | Series Qty |
|-----|----------------------------|---------------------------|------------|
| -   | <a href="#">R0193574</a>   | MAGNETIC Y-DRIVE BIT      | 1          |
| 1   | <a href="#">M0232218</a>   | SCREW,HI/LO Y DRIVE       | 10         |
| 2   | D7784901                   | INNER DOOR/GLASS ASSY     | 1          |
| 3   | <a href="#">D7683729</a>   | WELDMENT-INNER DOOR (BLK) | 1          |
| -   | M0229716                   | SCREW                     | 5          |
| 4   | <a href="#">C8961811</a>   | HINGE-DOOR                | 1          |
| 5   | A4539601                   | POP RIVET                 | 2          |
| 6   | R0000282                   | LATCH KIT                 | 1          |
| 7   | <a href="#">R0131711</a>   | ASSY, OUTER DOOR          | 1          |
| 8 N | <a href="#">59001007</a>   | HOLE, PLUG                | 1          |
| 9   | <a href="#">5051032202</a> | SET SCREW #10 X .25       | 1          |
| 10  | <a href="#">12490901</a>   | HANDLE, DOOR              | 1          |
| 11  | <a href="#">M0208342</a>   | SCREW, SET                | 1          |
| 12  | M0310305                   | PLUG, BUTTON (WHT)        | 1          |
| 13  | C8893502                   | SPRING, DOOR LATCH        | 1          |

12/06

\*Color Code (-)=Not Shown #=Series, Serial Prefix or Run No., N=Not Available

Section: ELECTRICAL COMPONENTS

Model: RFS12SW2\_P1327712M

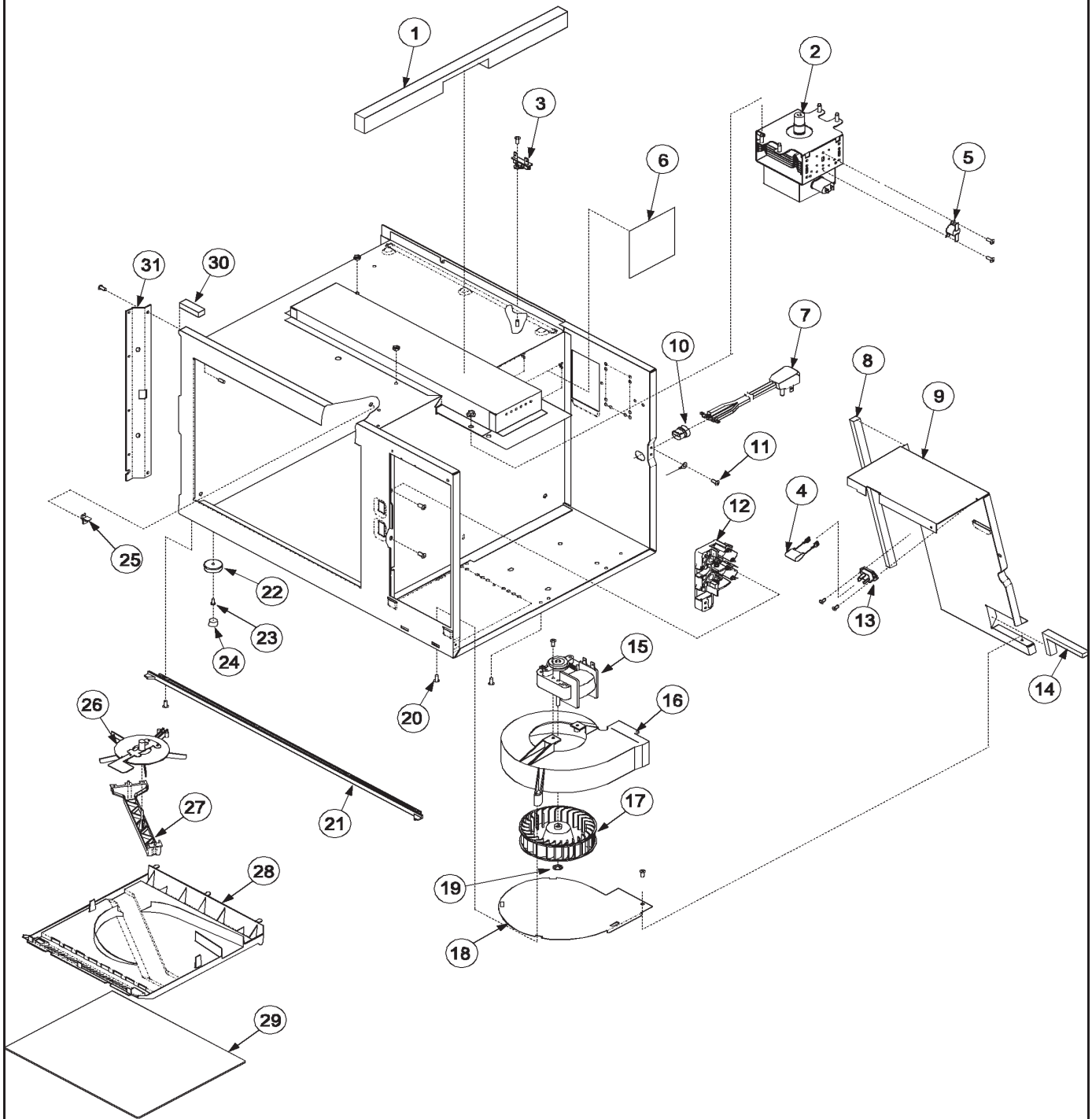


**Section: ELECTRICAL COMPONENTS**

| No. | Part No. | Description      | Series Qty |
|-----|----------|------------------|------------|
| -   | M0216515 | SCREW            | 2          |
| 1   | D7772101 | SHIELD, LIGHT    | 1          |
| 2   | D7772202 | AIR DUCT. BOTTOM | 1          |
| -   | M0216703 | SCREW ***        | 3          |
| 3   | D7772007 | DUCT, TOP AIR    | 1          |
| 4   | 10426612 | TRANSFORMER      | 1          |
| 5   | 10091101 | FUSE HOLDER      | 1          |
| 6   | M0805205 | FUSE- 30A        | 1          |
| 7   | M0216703 | SCREW ***        | 1          |
| 8   | M0231717 | SCREW, TF        | 1          |
| 9   | B8383101 | RECTIFIER        | 1          |
| 10  | B8371401 | RECEPTACLE, LAMP | 1          |
| 11  | 10664502 | LAMP 41W         | 1          |
| 12  | 12548808 | CAPACITOR-.88    | 1          |
| 13  | A4055405 | STRAP, CAPACITOR | 1          |
| -   | M0216515 | SCREW            | 2          |
| 14  | B8370701 | COVER, LIGHT     | 1          |
| -   | M0216703 | SCREW ***        | 2          |

Section: BLOWER AND CAVITY RFS10SW2 & RFS12SW2

Model: RFS12SW2\_P1327712M



## Section: BLOWER AND CAVITY RFS10SW2 & RFS12S

| No. | Part No.  | Description                  | Series Qty |
|-----|-----------|------------------------------|------------|
| 1   | B8369901  | GASKET, OVEN TOP             | 1          |
| 2   | 12096201  | MAGNETRON                    | 1          |
| -   | M0234029  | SCREW                        | 1          |
| 3   | B5795305  | FUSE, THERMAL                | 1          |
| 4   | 10172901Q | SNUBBER ASSEMBLY             | 1          |
| 5   | B5684106  | THERMAL PROTECTOR            | 1          |
| -   | M0229916  | SCREW T.C                    | 2          |
| 6   | B8367701  | WINDOW, OVEN LIGHT           | 1          |
| 7   | 10098918  | POWER CORD                   | 1          |
| 8   | A3030302  | GASKET                       | 1          |
| 9   | D7685413  | BLOWER PARTITION, BLACK E CT | 1          |
| 10  | M0370003  | STRAIN RELIEF                | 1          |
| 11  | M0231717  | SCREW, TF                    | 1          |
| 12  | 12360506  | SWITCH, INTERLOCK            | 1          |
| 13  | R0157373  | KIT, TRIAC ASSY              | 1          |
| -   | M0216515  | SCREW                        | 2          |
| 14  | A3030302  | GASKET                       | 1          |
| - N | M0213123  | SCREW                        | 2          |
| 15  | D7670306  | MOTOR, BLOWER                | 1          |
| 16  | D7684601  | SCROLL, BLOWER               | 1          |
| 17  | C8793501  | BLOWER WHEEL                 | 1          |
| -   | M0216703  | SCREW ***                    | 4          |
| 18  | C8942501  | BRKT SCROLL                  | 1          |
| 19  | M0118903  | CLIP-BLWR RET                | 1          |
| 20  | M0254706  | SCREW                        | 2          |
| -   | M0231617  | SCREW, TF                    | 2          |
| 21  | 12667301  | TRIM, OC                     | 1          |
| 22  | C8960601  | FOOT, OUTER CASE             | 4          |
| 23  | M0571201  | EYELET                       | 4          |
| 24  | M0213147  | SCREW                        | 4          |
| 25  | B8374901  | SUPPORT, SHELF               | 2          |
| 26  | C8943002Q | ASSY, ANTENNA                | 1          |
| 27  | D7685505  | CRADLE, ANTENNA              | 1          |
| -   | M0275598  | SEALER                       | 1          |
| 28  | D7692501  | GREASE SHIELD                | 1          |
| 29  | C8936902  | TRAY-GLASS FLOOR             | 1          |
| 30  | A3030301  | GASKET (INCH)                | 1          |
| -   | M0231717  | SCREW, TF                    | 2          |
| 31  | C8935903  | BRKT, HINGE SUPPORT          | 1          |

**Section: SUPPLEMENTAL INFORMATION**

| No. | Part No.   | Description               | Series Qty |
|-----|------------|---------------------------|------------|
| 1   | 16021520   | MANUAL, SERVICE COM MICRO | 1          |
| 2   | N 59001619 | USE & CARE MANUAL         | 1          |
| 3   | 16021523   | TECH SHEET, COM MICRO     | 1          |