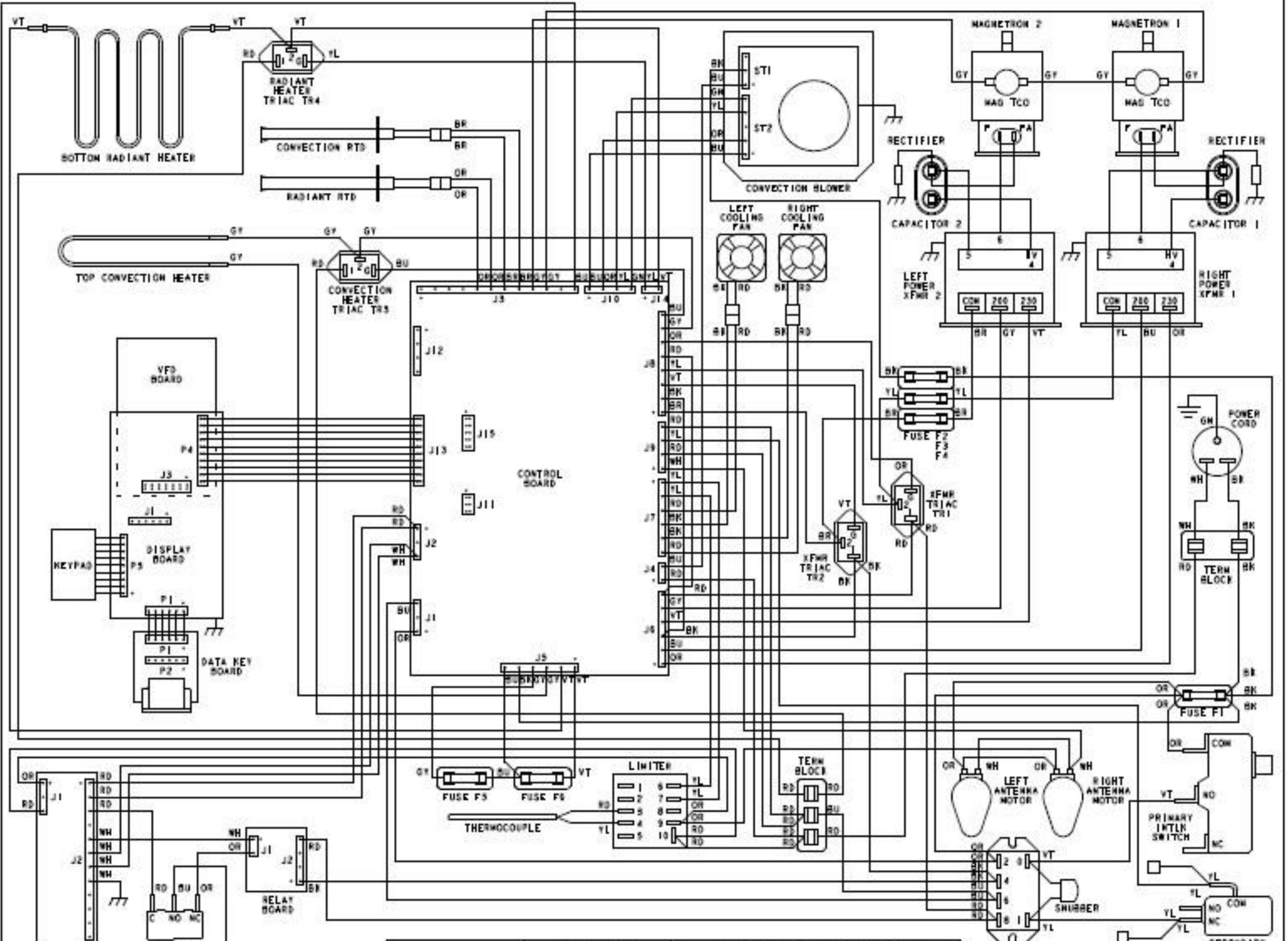


WIRING DIAGRAM  
PART NO. 20000403

WIRE CODE  
 HIGH VOLTAGE  
 LOW VOLTAGE

BLUE BU    BLACK BK    ORANGE OR    BROWN BR  
 PINK PK    WHITE WH    YELLOW YL    RED RD  
 GRAY GY    GREEN GM    VIOLET VT    TAN TN

76

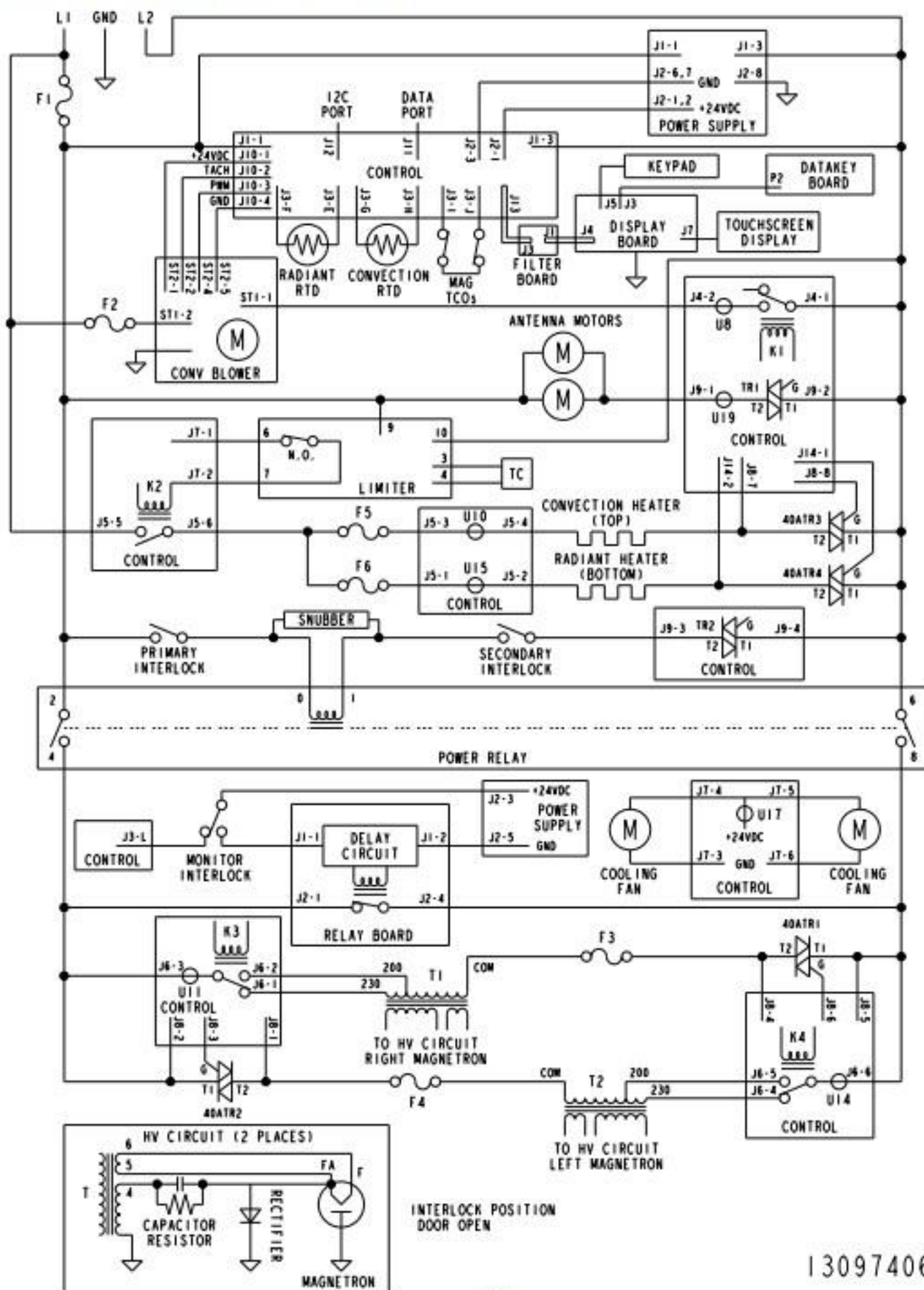


WIRING DIAGRAM  
PART NO. 20541202

WIRE CODE  
 — HIGH VOLTAGE  
 — LOW VOLTAGE

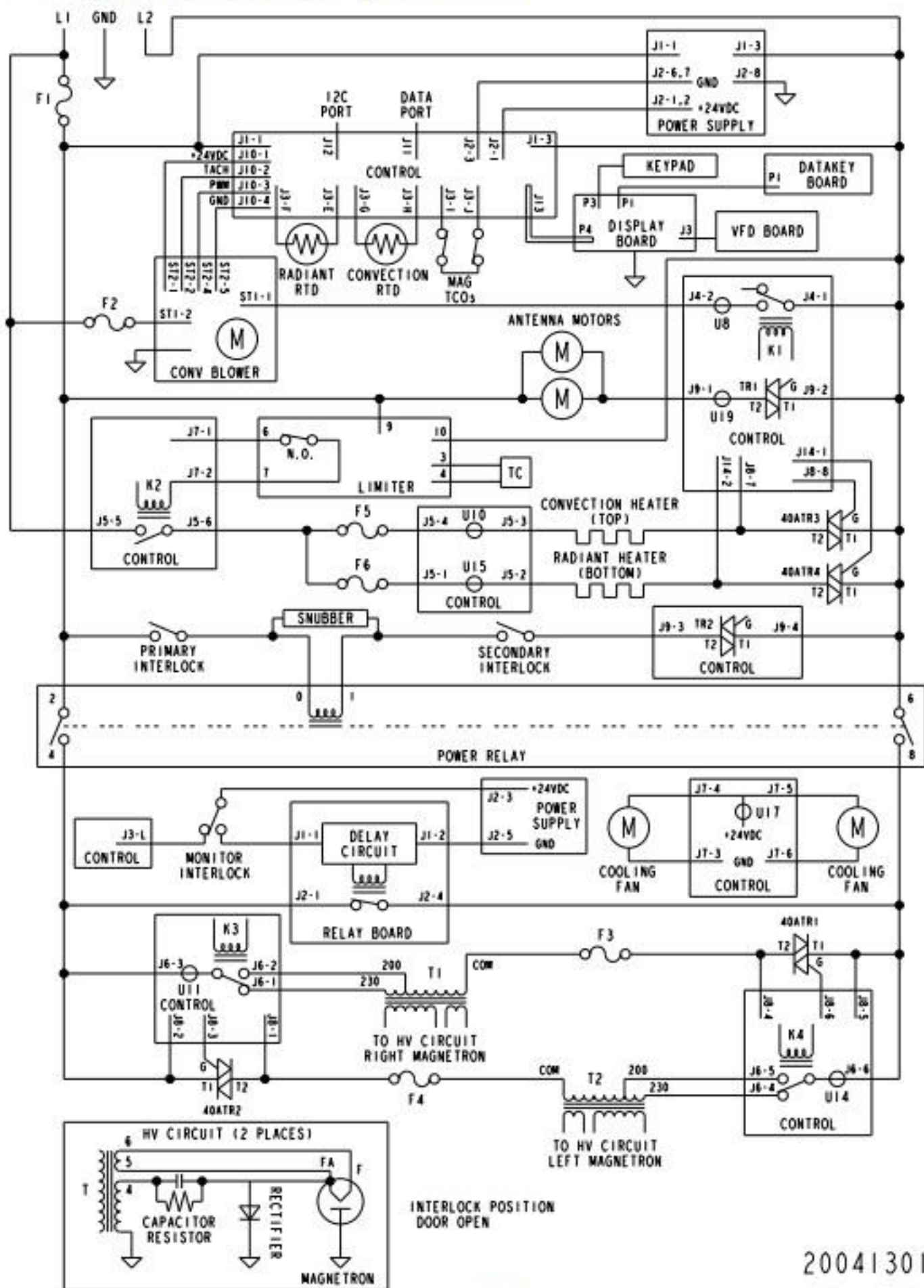
BLUE BU	BLACK BK	ORANGE OR	BROWN BR
PINK PK	WHITE WH	YELLOW YL	RED RD
GRAY GT	GREEN GN	VIOLET VT	TAN TN

# Schematic Sample AXP20



13097406

# Wiring Schematic Sample AXP22



20041301