

Repair Parts List

MODEL NUMBER

DFS11EA

MANUFACTURING
NUMBER

P1330220M

COMMERCIAL MICROWAVE

When requesting service or ordering parts, always provide the following information:

- Product Type
- Part Number
- Model Number
- Part Description

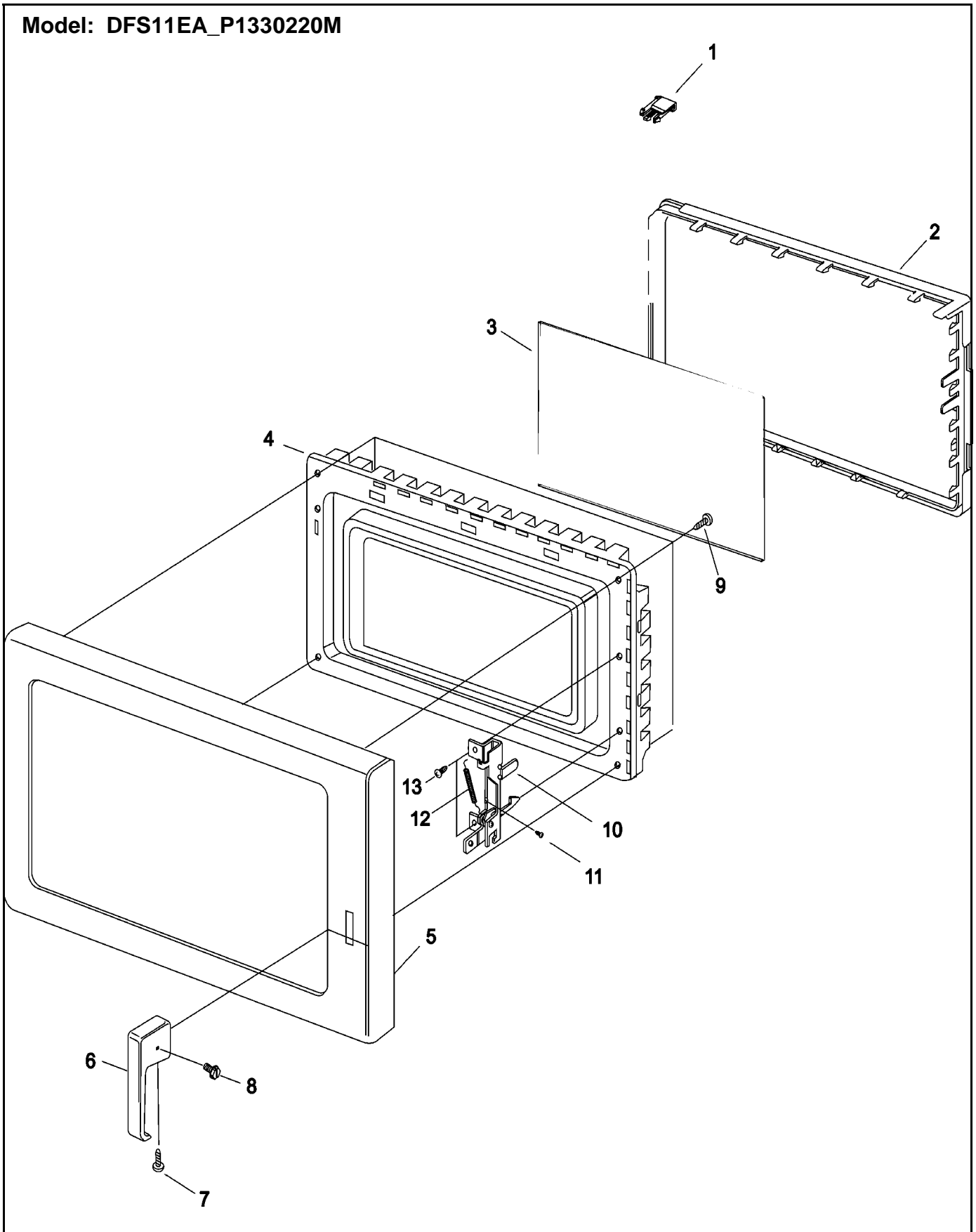
Amana[®]
HIGH PERFORMANCE HAS A NAME™

PART OF  FOODSERVICE GROUP

December 15 2006

Section: DOOR

Model: DFS11EA_P1330220M

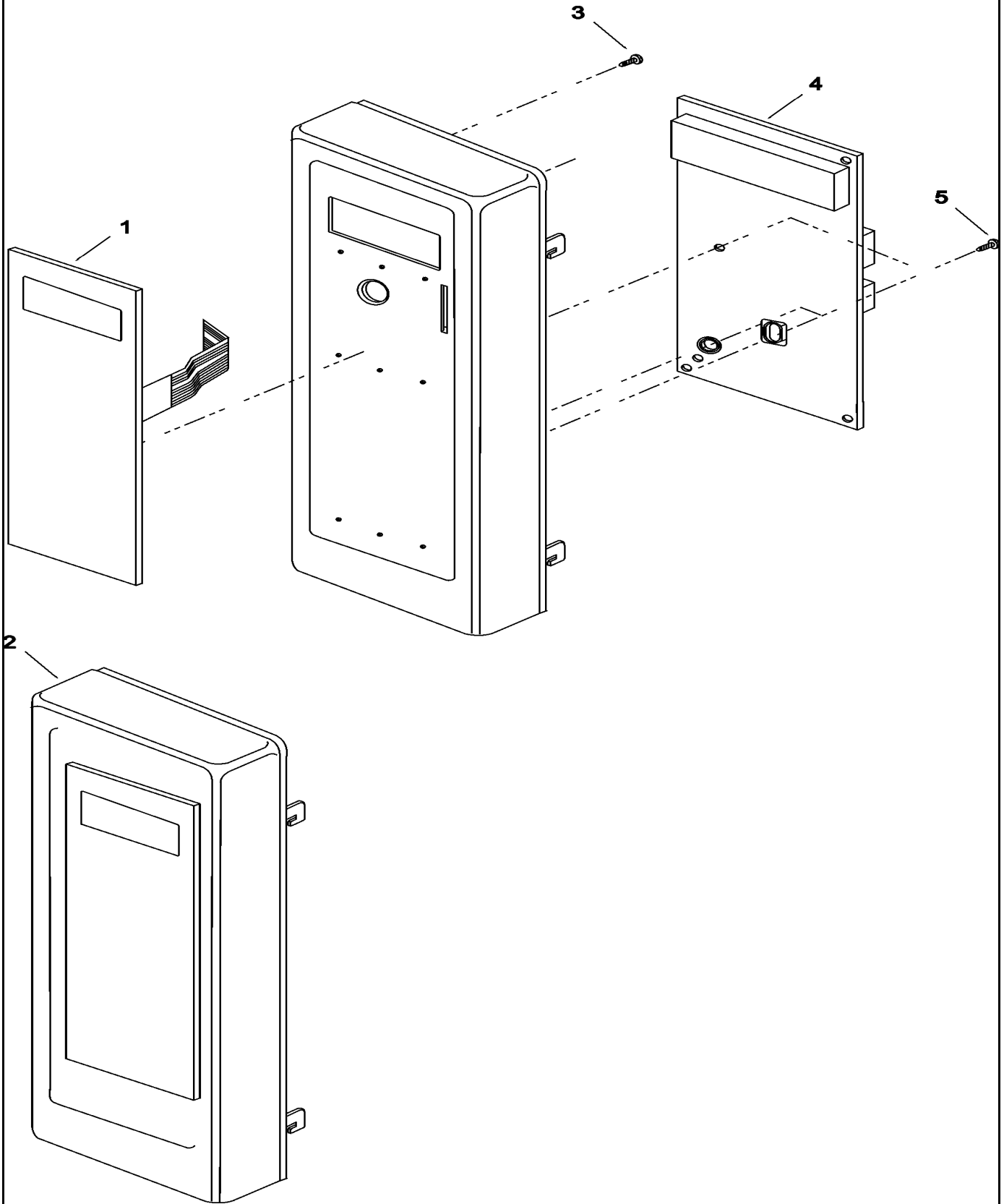


Section: DOOR

No.	Part No.	Description	Series Qty
1	53001543	CAP, TOP HINGE	1
2	53001572	CHOKE COVER	1
3	13066801	WINDOW, INNER DOOR	1
4	53001778	INNER DOOR WELDMENT	1
5	53001826	ASSY, OUTER DOOR	1
6	12002453	HANDLE KIT- W/SCREWS & LOCTITE	1
7	53001547	SCREW- HANDLE SIDE	1
7	53001546	SCREW- HANDLE BOTTOM	1
9	R0654030	SCREW, PAN HD S/TAP	4
10	53001779	LATCH	1
11	R0654180	SCREW, PAN HD	1
12	53001780	SPRING	1
13	R0131246	SCREW, TAPPING TRUSS HEAD	2

Section: TIMER AND ESCUTCHEON

Model: DFS11EA_P1330220M

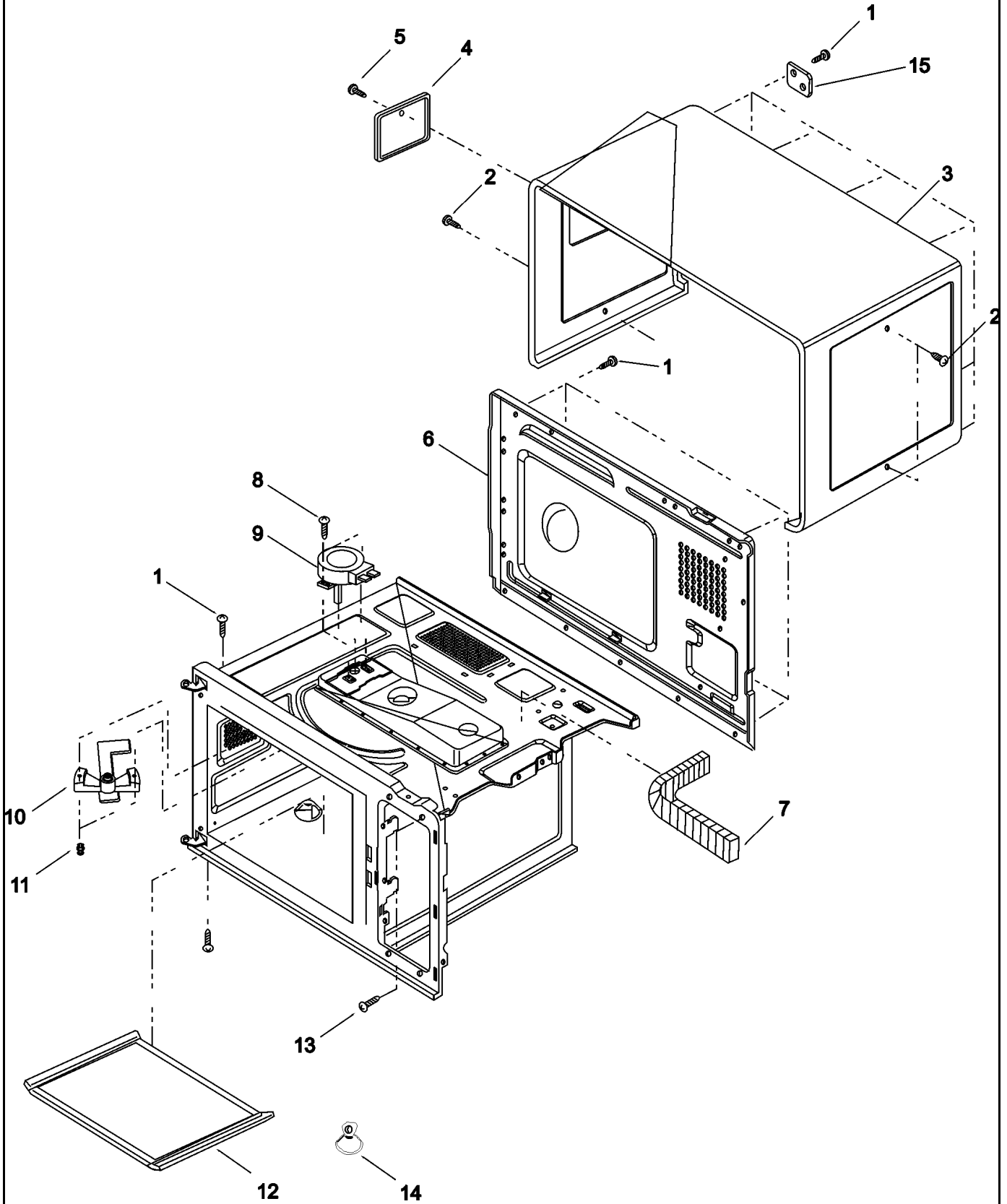


Section: TIMER AND ESCUTCHEON

No.	Part No.	Description	Series Qty
1	53001735	TOUCH PANEL	1
2	53001824	ESCUTCHEON / TOUCH PANEL ASSY	1
3	R0654178	SCREW, SPECIAL D	1
4	53001659	BOARD, HV/LV	1
5	53001462	SCREW, PAN HEAD	3

Section: ANTENNA, TRAY, OUTER CASE,

Model: DFS11EA_P1330220M



Section: ANTENNA, TRAY, OUTER CASE,

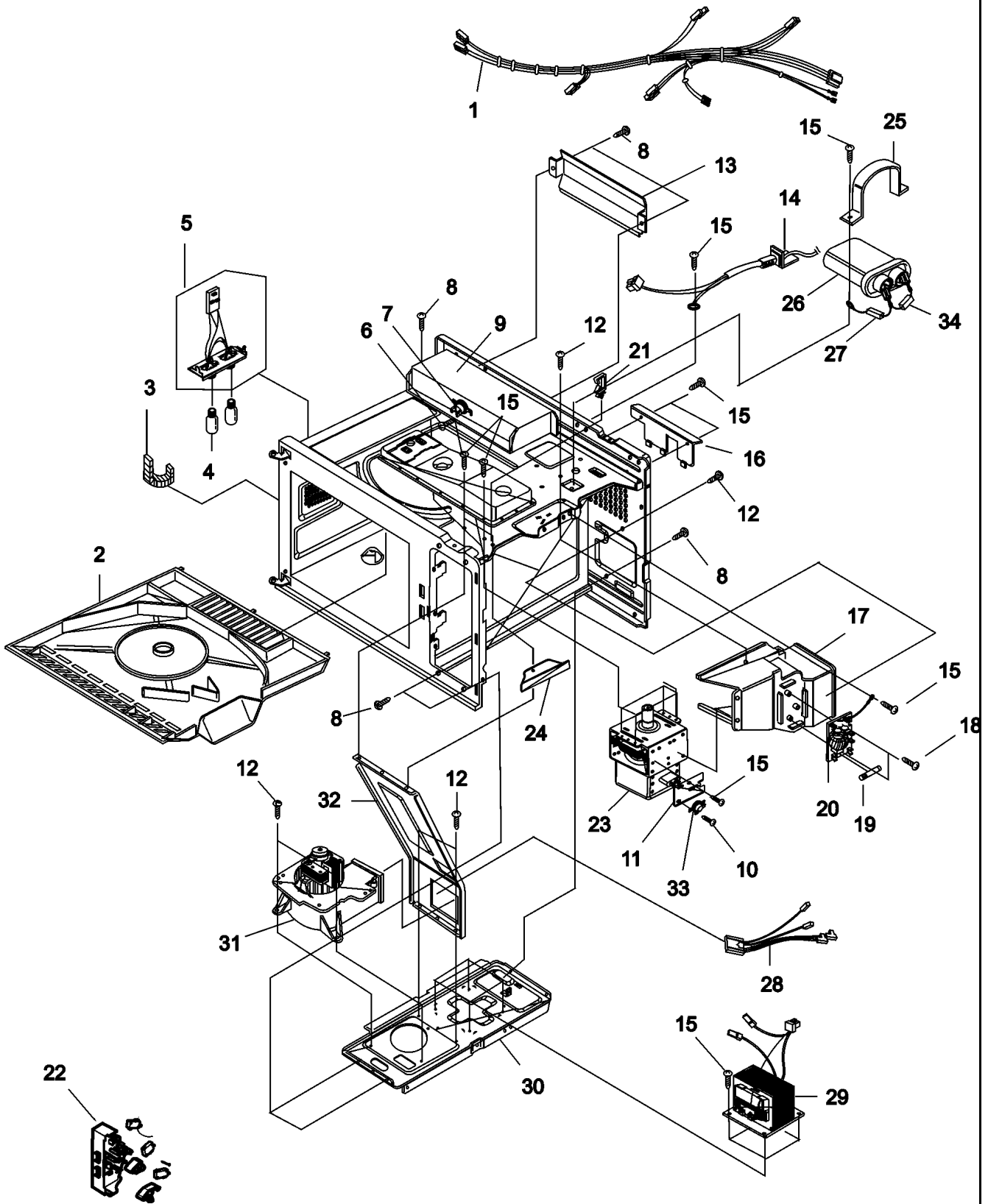
No.	Part No.	Description	Series Qty
1	R0654183	SCREW, TRUSS HD	14
2	R0654036	SCREW, TRUSS HD S/TAP	4
3	53001577	OUTER CASE- STAINLESS	1
4	53001579	COVER, LAMP- STAINLESS	1
5	53001609	SCREW TAPPING, COUNTER SUNK HD	1
6	53001551	BACK PANEL	1
7	A3263903	GASKET	1
8	R0654180	SCREW, PAN HD	2
9	59001625	MOTOR, ANTENNA 220-240V	1
10	12002451	ANTENNA KIT- W/RIVETS	1
11	53001554	RIVET ASSEMBLY	1
12	53001555	TRAY, CERAMIC	1
13	R0131246	SCREW, TAPPING TRUSS HEAD	1
14	59001235	SUCTION CUP- FOR TRAY REMOVAL	1
15	53001619	BRACKET, STACKING	1

12/06

*Color Code (-)=Not Shown #=Series, Serial Prefix or Run No., N=Not Available

Section: ELECTRICAL, GREASE SHIELD, DUCTS,

Model: DFS11EA_P1330220M

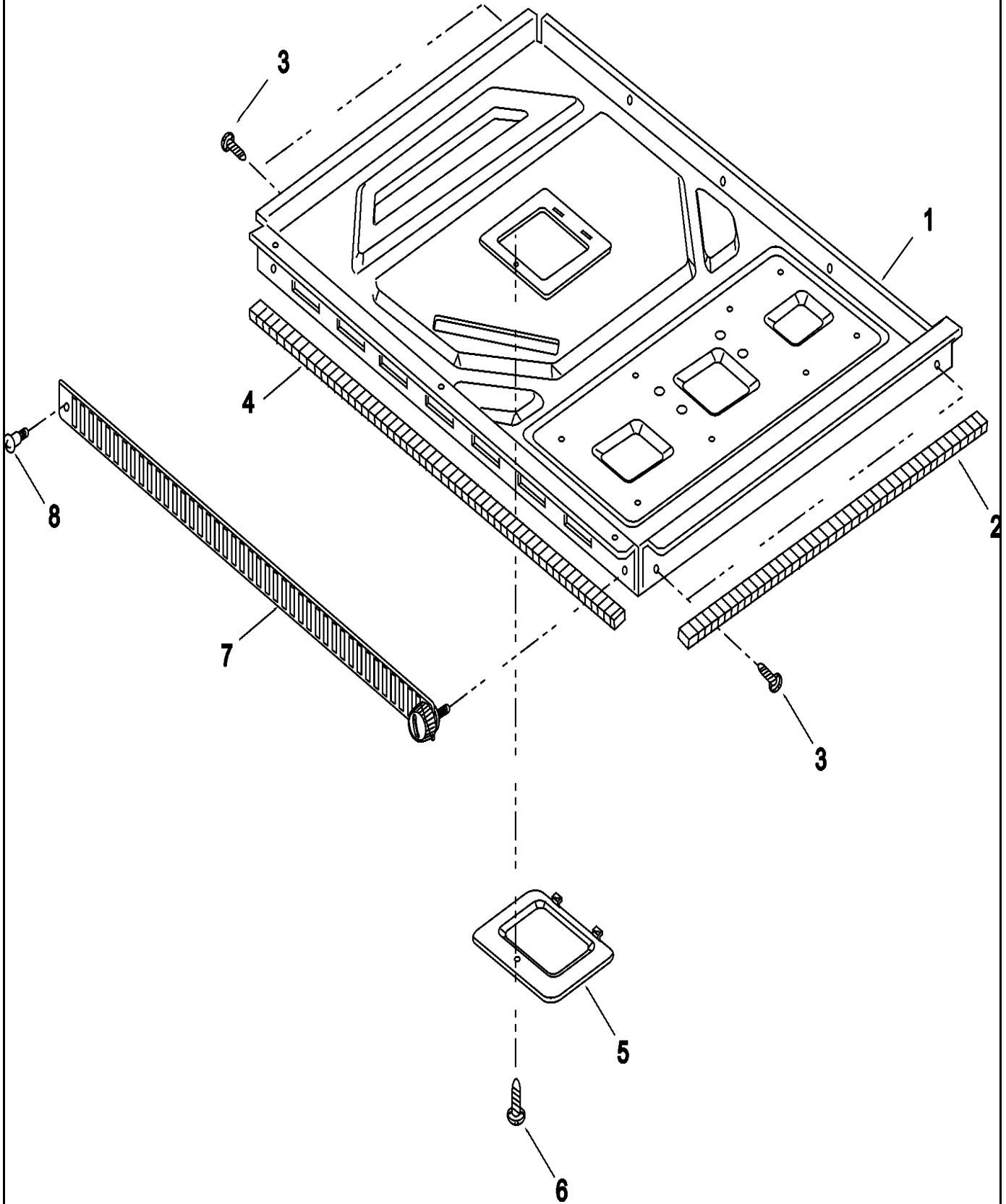


Section: ELECTRICAL, GREASE SHIELD, DUCTS,

No.	Part No.	Description	Series Qty
1	53001661	HARNES, MAIN	1
2	53001556	GREASE SHIELD	1
3	A3263903	GASKET	1
4	53001590	LAMP	2
5	53001591	LAMP SOCKET / BRACKET ASSY	1
6	R0654030	SCREW, PAN HD S/TAP	1
7	53001817	THERMOSTAT	1
8	R0131246	SCREW, TAPPING TRUSS HEAD	5
9	53001559	DUCT, OUTLET-TOP	1
10	R0131307	SCREW TAPPING,PAN HEAD	1
11	53001643	BRACKET- THERMOSTAT	1
12	R0654183	SCREW, TRUSS HD	5
13	53001620	AIR DEFLECTOR	1
14	53001818	POWER CORD ASSEMBLY	1
15	R0654028	SCREW, BINING HD S/TAP	11
16	53001621	COVER, POWER CORD	1
17	53001563	DUCT, MAIN	1
18	53001462	SCREW, PAN HEAD	2
19	M0805105	FUSE, 12 AMP	1
20	53001667	FILTER ASSEMBLY (CIRC), NOISE	1
21	R9800440	HOLDER- WIRING	1
22	53001601	SWITCH ASSY, INTERLOCK	1
23	53001581	MAGNETRON	1
24	53001622	BRACKET	1
25	53001663	BRACKET, CAPACITOR	1
26	59001171	CAPACITOR-1.20	1
27	53001583	DIODE- RED SLEEVE	1
28	53001668	HARNES- TRANSFORMER PRIMARY	1
29	53001819	TRANSFORMER HV	1
30	53001568	BASE- TRANSFORMER	1
31	53001670	BLOWER MOTOR ASSY	1
32	53001570	GUIDE, AIR	1
33	R9900542	THERMOSTAT - MAG	1
34	53001725	CABLE ASSY, CIRCUIT PROTECTOR	1

Section: BASE AND FILTER

Model: DFS11EA_P1330220M



Section: BASE AND FILTER

No.	Part No.	Description	Series Qty
1	53001625	BASE PLATE- W/COVER & GASKETS	1
2	53001626	GASKET, BASE- SIDE	2
3	R0654036	SCREW, TRUSS HD S/TAP	2
4	53001627	GASKET, BASE- FRONT	2
5	53001628	COVER, BASE	1
6	R0131246	SCREW, TAPPING TRUSS HEAD	1
7	53001571	FILTER, AIR- W/THUMB SCREW	1
8	53001629	SCREW, DRAWING	2

Section: SUPPLEMENTAL INFORMATION

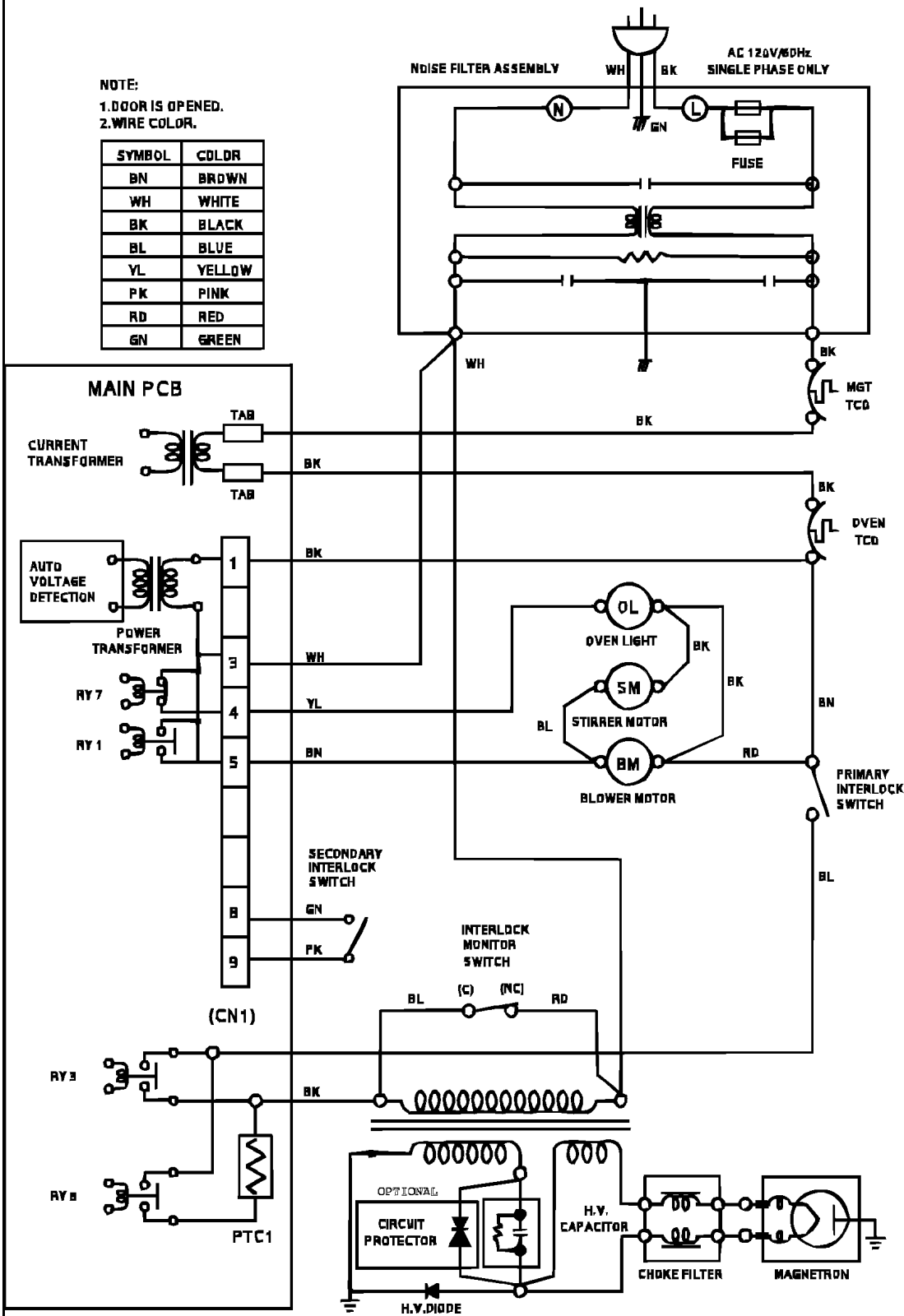
No.	Part No.	Description	Series Qty
1	16025963	SVR MAN, INTL COMM MICROWAVE	1
2	N 53001634	USE & CARE	1
3	N 16025964	TECH SHT, INTL COMM MICROWAVE	1

Section: WIRING INFORMATION

Model: DFS11EA_P1330220M

NOTE:
1. DOOR IS OPENED.
2. WIRE COLOR.

SYMBOL	COLOR
BN	BROWN
WH	WHITE
BK	BLACK
BL	BLUE
YL	YELLOW
PK	PINK
RD	RED
GN	GREEN



IMPORTANT SAFETY NOTE: THE SHADED AREAS ON THIS SCHEMATIC DIAGRAM INCORPORATE SPECIAL FEATURES IMPORTANT FOR PROTECTION FROM MICROWAVE RADIATION ELECTRICAL SHOCK, AND HAZARDS. WHEN SERVICING IT IS ESSENTIAL THAT ONLY MANUFACTURERS SPECIFIED PARTS BE USED FOR THE CRITICAL COMPONENTS IN THE SHADED AREAS OF THE SCHEMATIC DIAGRAM.

NOTICE: SINCE THIS IS BASIC SCHEMATIC DIAGRAM, THE VALUES OF COMPONENTS AND SOME PARTIAL CONNECTIONS ARE SUBJECT TO CHANGE FOR IMPROVEMENT.

