

# Vector<sup>®</sup> Wide Multi-Cook Oven

**Simple and Deluxe Control**

VMC-H2HW

VMC-H3HW



**Structured Air Technology™**

# Manufacturer's Information

**Copyright** © Copyright 06/2022 by Alto-Shaam, Inc.  
 All rights reserved.  
 This manual or any portion thereof may not be reproduced or used in any manner whatsoever without the express written permission of Alto-Shaam, Inc

**Trademarks** All trademarks referenced in this documentation are the property of their respective owners.

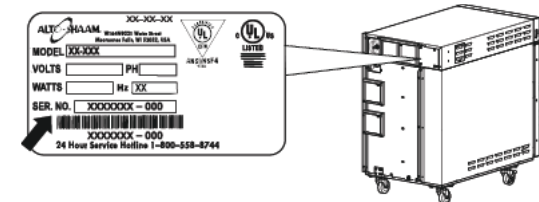
**Manufacturer** Alto-Shaam, Inc.  
 P.O. Box 450  
 W164 N9221 Water Street  
 Menomonee Falls, WI 53052

**Models Covered**

<p><b>Hotel Pan Models</b>                  VMC-H2HW                  VMC-H3HW</p>	<p>RH - Right-Hand Swing Door                  LH - Left-Hand Swing Door</p> <p>US (UL Certified) Models                  International (CE Certified) Models</p>
--	---

**Serial Number** The unit serial number is required for ordering the correct service parts. Record the unit serial number in the space provided below.

<b>Serial Number</b>



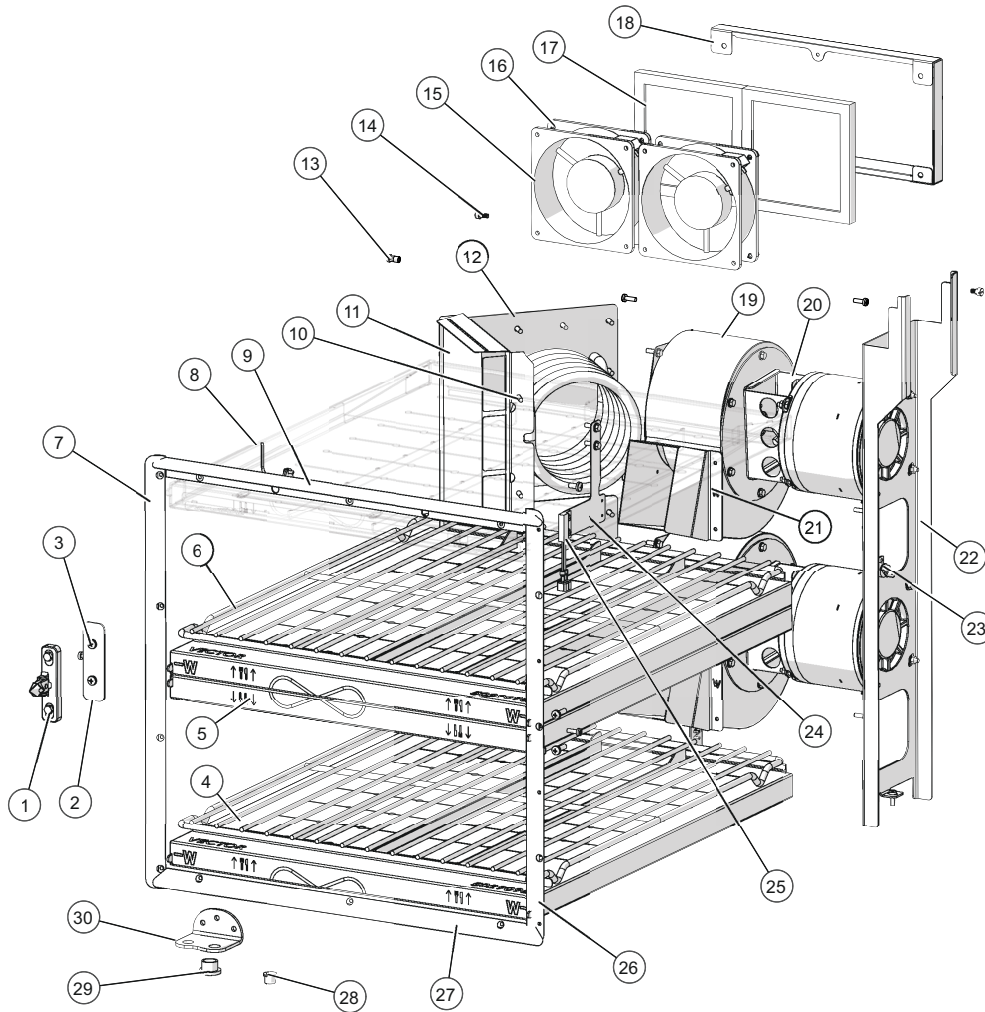
**Parts Ordering Information** Original manufacturer's replacement parts may be ordered directly from the Alto-Shaam network of Authorized Service Agents and Parts Distributors. Follow this link for a map to a local partner: <https://www.alto-shaam.com/en/how-to-buy>. If you are an Authorized Service Agent or Parts Distributor, please submit your purchase order to [parts@alto-shaam.com](mailto:parts@alto-shaam.com).

Non-OEM parts may be substituted; however, these parts must be of equal quality and specifications as those provided by Alto-Shaam.

# Table of Contents

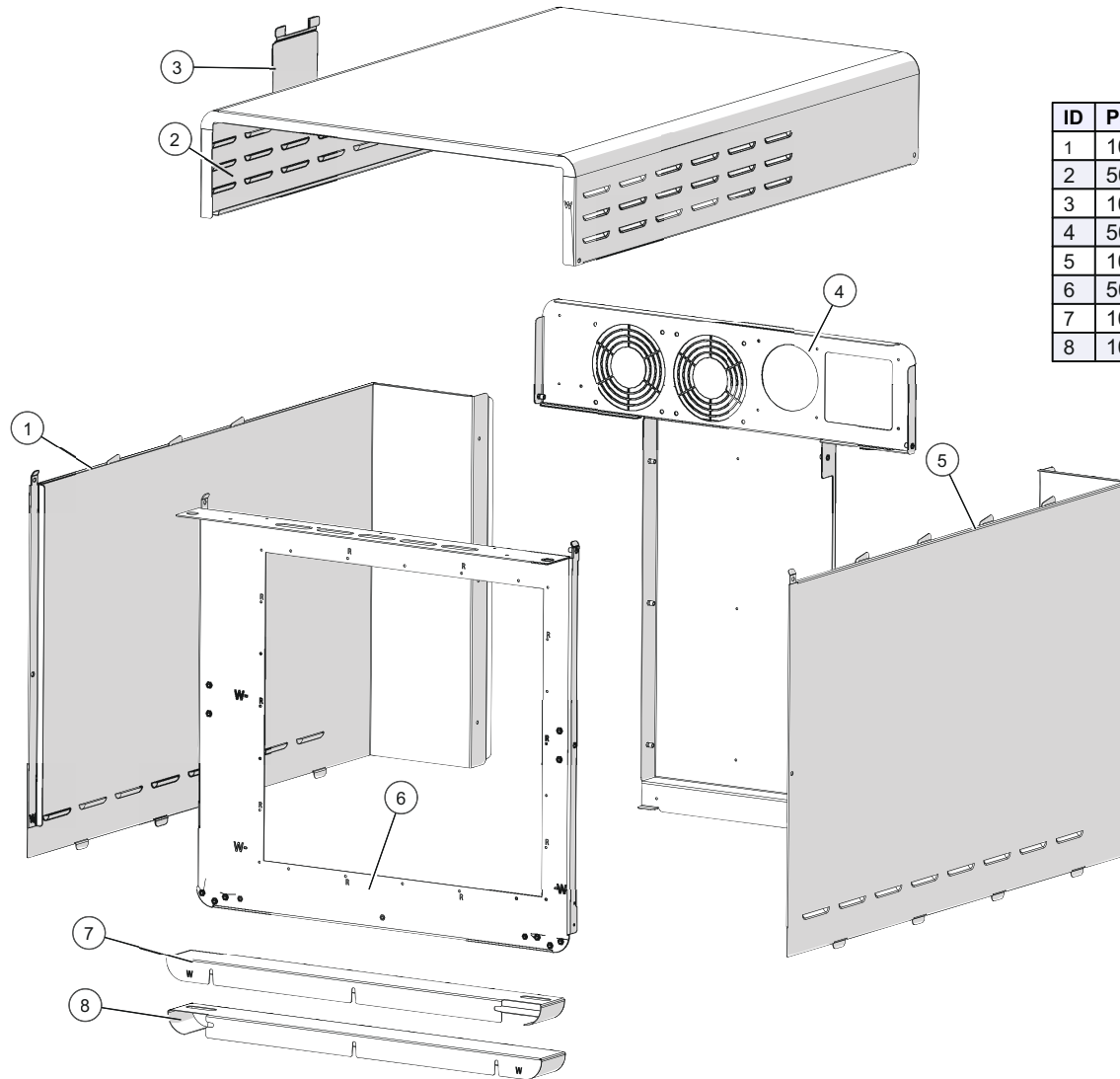
Manufacturer's Information .....	2	Foot Plate Assembly.....	38
Table of Contents .....	3	Seismic Leg Assembly.....	39
Core Assembly, VWH2H.....	4	Caster Assembly.....	40
Panels, VWH2H .....	5		
Core Assembly, VWH3H.....	6		
Panels, VWH3H .....	7		
Motor/Fan Assembly.....	8		
Cords and Plugs .....	9		
Door Assembly, Right, VWH2H Simple.....	10		
Door Assembly, Left, VWH2H Simple .....	11		
Door Assembly, Right, VWH2H Deluxe.....	12		
Door Assembly, VWH2H LH Deluxe .....	13		
Door Assembly, Right, VWH3H Simple.....	14		
Door Assembly, Left, VWH3H Simple .....	15		
Door Assembly, Right, VWH3H Deluxe.....	16		
Door Assembly, VWH3H LH Deluxe .....	17		
Electrical Assembly, VWH2H 208-240V 1 $\Phi$ .....	18		
Terminals & Boards, VWH2H 208-240V 1 $\Phi$ .....	19		
Electrical Assembly, VWH2H 208-240V 1 $\Phi$ CE .....	20		
Terminal & Board Details, VWH2H 208-240V 1 $\Phi$ CE.....	21		
Electrical Assembly, VWH2H 200-240V 1 $\Phi$ CE (Japan only).....	22		
Terminal & Board Details, VWH2H 200-240V 1 $\Phi$ CE (Japan only).....	23		
Electrical Assembly, VWH2H 208-240V 3 $\Phi$ .....	24		
Terminal & Board Details, VWH2H 208-240V 3 $\Phi$ .....	25		
Electrical Assembly, VWH2H 208-240V 3 $\Phi$ CE .....	26		
Terminal & Board Details, VWH2H 208-240V 3 $\Phi$ CE.....	27		
Electrical Assembly, VWH2H 200-240V 3 $\Phi$ CE (Japan only).....	28		
Terminal & Board Details, VWH2H 200-240V 3 $\Phi$ CE (Japan only).....	29		
Electrical Assembly, VWH3H 208-240V 3 $\Phi$ .....	30		
Terminal & Board Details, VWH3H 208-240V 3 $\Phi$ .....	31		
Electrical Assembly, VWH3H 208-240V 3 $\Phi$ CE .....	32		
Terminal & Board Details, VWH3H 208-240V 3 $\Phi$ CE.....	33		
Electrical Assembly, VWH3H 208-240V 3 $\Phi$ CE (Japan only).....	34		
Terminal & Board Details, VWH3H 208-240V 3 $\Phi$ CE (Japan only).....	35		
Control Panel Assembly, Simple.....	36		
Control Panel Assembly, Deluxe .....	37		

# Core Assembly, VWH2H



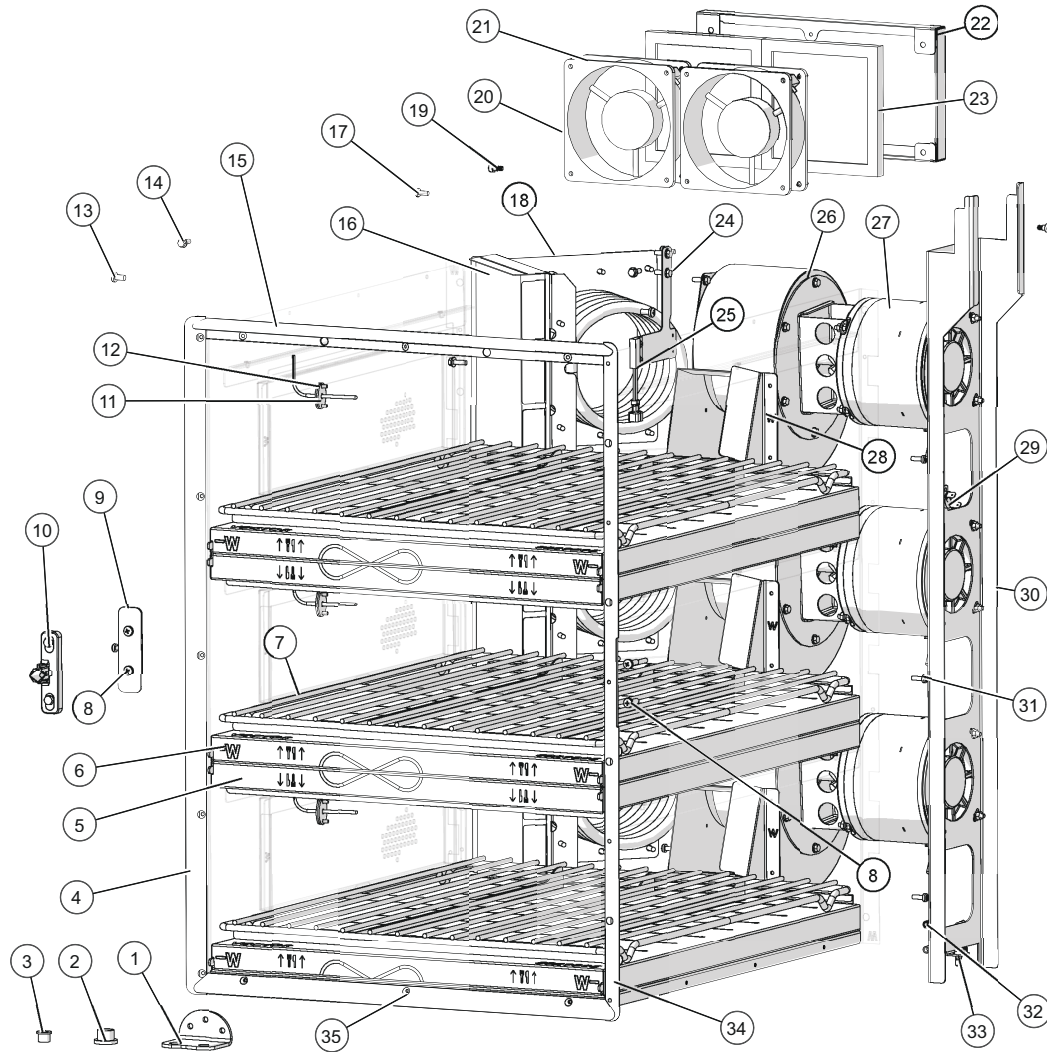
ID	Part No.	Description
1	LT-39674	LATCH, STRIKE, DOOR, ADJUSTABLE
2	1031060	LATCH SPACER
3	SC-38887	SCREW, M5x0.8X16MM PAN
4	5029095R	ASSM JET PLATE (lower section)
5	5030451R	ASSM JET PLATE (upper section)
6	SH-46478	SHELF, WIRE COOK, RACK VHW
7	1035297	GASKET, LEFT SIDE, VWH2HL
8	5028177	KIT, TEMP SENSOR/GASKET
9	1031345	GASKET, TOP DOOR, VWHXH
10	SC-39147	SCREW, 8-18 X .480 HEX WASHER
11	5030987	CATALYST, ASSEMBLY
12	EL-46996	HEATER, 4250W, 240V
13	SC-22273	SCREW, M4x0.7X10MM PAN
14	SC-46278	SCREW, M4X0.7, 4MM SHOULDER
15	FA-36957	FAN, 230V, MECHATRONICS, HI-TEMP
16	SC-26520	SCREW, #10X1/2" HEX SERR FLG
17	FI-37700	FILTER, 5IN X 5IN
18	1023498	HOLDER, FILTER, DOUBLE
19	5029108	BLOWER HOUSING, ASSY, VWHXH
20	5029109R	MOTOR, FAN, ASSY, VWHXH
21	1034778	BLOWER DEFLECTOR,
22	1035305	BRACKET, MOTOR SUPPORT VWH2H
23	TT-47129	THERMOSTAT, AUTO RESET,
24	1028110	BRKT, DOOR SWITCH, VOLPI H3HR
25	LT-3738	DOOR, INTERLOCK SWITCH
26	1035312	GASKET, RIGHT SIDE, VWH2HR
27	1031347	GASKET, BOTTOM DOOR, VWHXH
28	BU-37709	BUSHING, FLANGE, .312ID X .375
29	BU-39572	BUSHING, HINGE, DOOR
30	1035075	DOOR HINGE, BOTTOM, 16 WIDE
31	5024003	FILTER ASM, INTERNAL (1 set/chamber; not shown)
32	CB-46358	CABLE, MOTOR DRIVE (not shown)
33	5024271	WIRE ASM, COOLING FAN (not shown)

# Panels, VWH2H



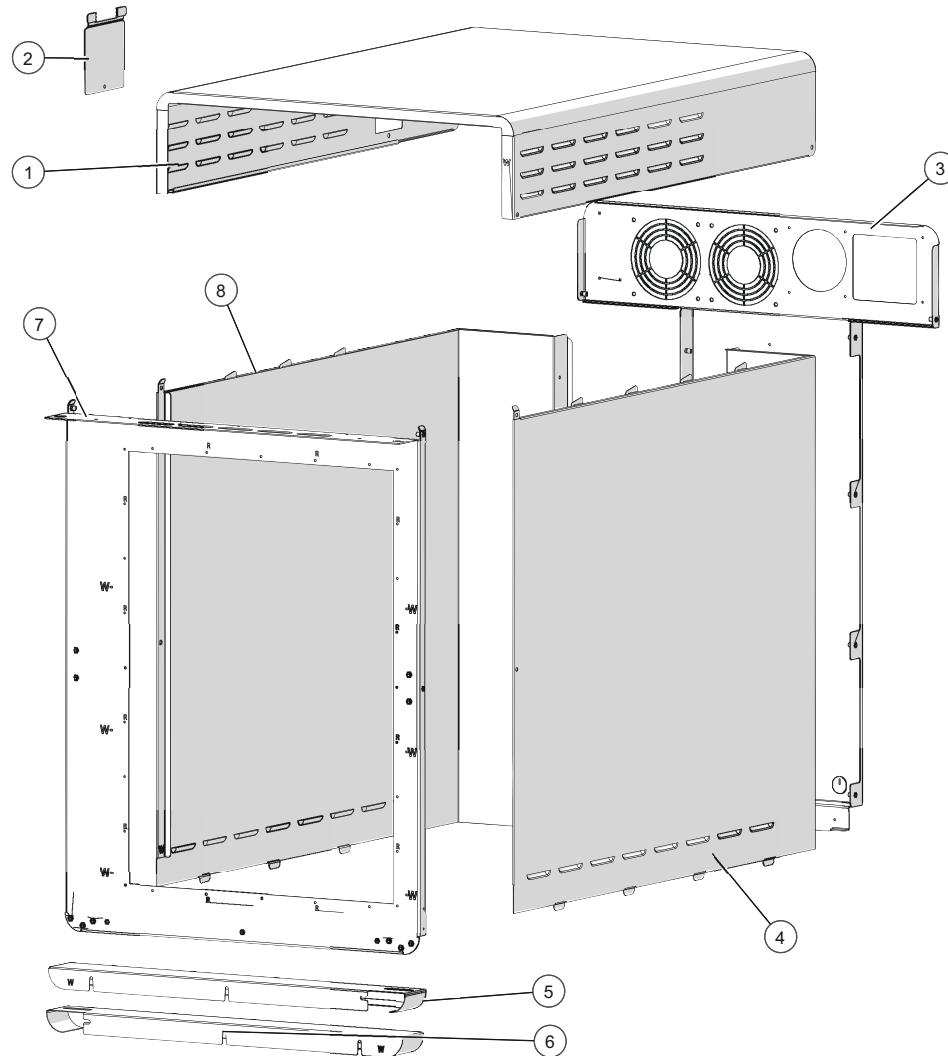
ID	Part No.	Description
1	1035301	LEFT SIDE SKIN, VWH2H
2	5031797	ASM, TOP COVER VWH
3	1028087	DOOR, BREAKER, VOLPI H
4	5032177	PANEL ASSEMBLY, BACK VWH2H
5	1035300	RIGHT SIDE SKIN, VWH2H
6	5032176	ASSY,PANEL FRONT, VWH2H
7	1031335	DOOR FILLER, VWHXL
8	1034945	DOOR FILLER, VWHXR (RH)

# Core Assembly, VWH3H



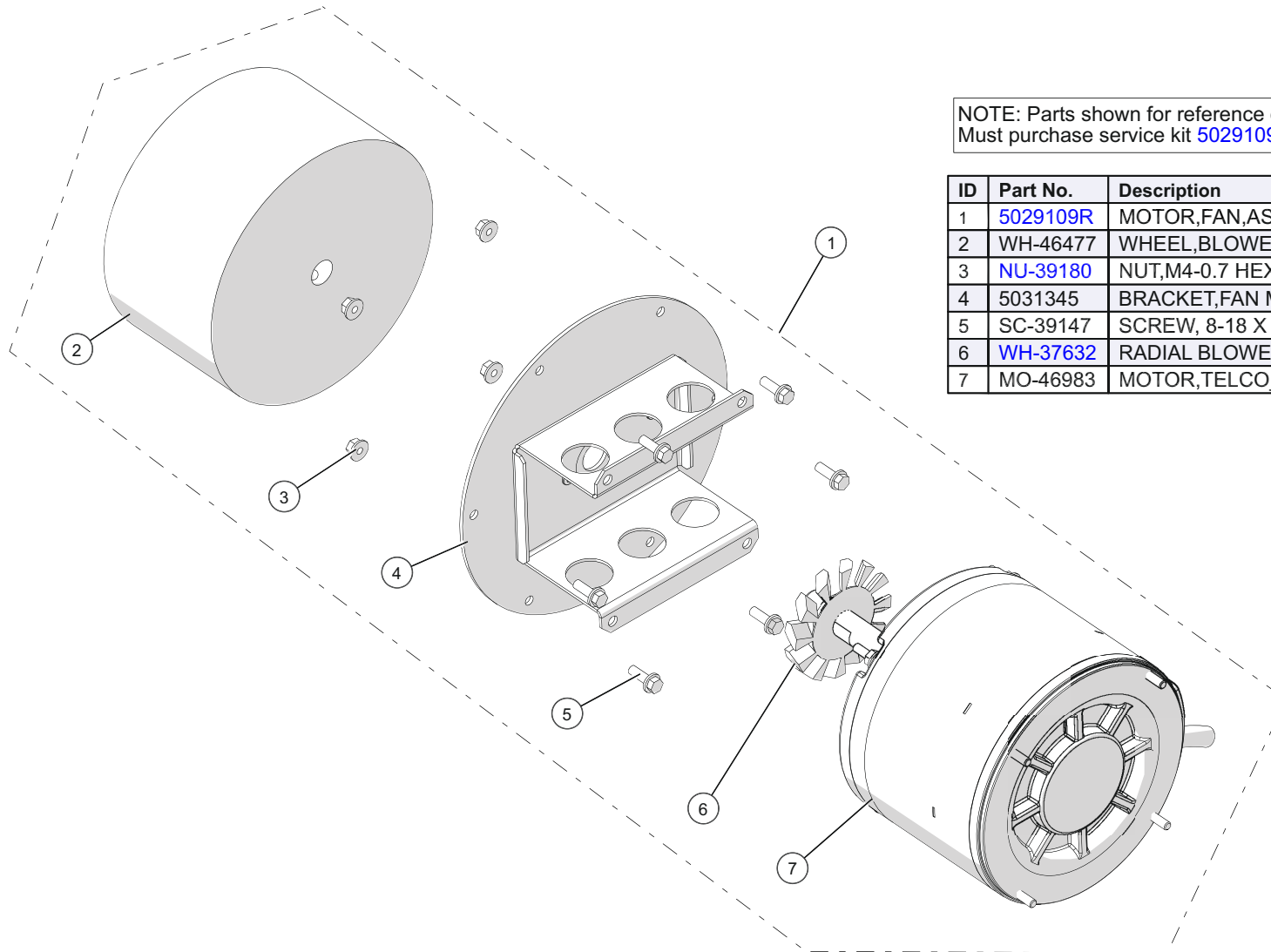
ID	Part No.	Description
1	1035075	DOOR HINGE, BOTTOM, 16 WIDE
2	BU-39572	BUSHING,HINGE,DOOR
3	BU-37709	BUSHING,FLANGE, .312ID X .375
4	1031344	GASKET, LEFT SIDE, VWH3HL
5	5030451R	ASSM JET PLATE (lower section)
6	5029095R	ASSM JET PLATE (upper section)
7	SH-46478	SHELF, WIRE COOK, RACK VHW
8	SC-38887	SCREW,M5x0.8X16MM PAN
9	1031060	LATCH SPACER
10	LT-39674	LATCH,STRIKE,DOOR,ADJUSTABLE
11	5028177	KIT, TEMP SENSOR/GASKET
12	SC-22268	SCREW,M3x0.5X8MM PAN
13	SC-22766	SCREW,M5x0.8X10MM PAN
14	SC-39147	SCREW, 8-18 X .480 HEX WASHER
15	1031345	GASKET, TOP DOOR, VWHXH
16	5030987	CATALYST, ASSEMBLY
17	SC-22273	SCREW,M4x0.7X10MM PAN
18	EL-46996	HEATER, 4250W,240V
19	SC-46278	SCREW,M4X0.7,4MM SHOULDER
20	FA-36957	FAN,230V,MECHATRONICS,HI-TEMP
21	SC-26520	SCREW, #10X1/2" HEX SERR FLG
22	1023498	HOLDER, FILTER, DOUBLE
23	FI-37700	FILTER, 5IN X 5IN
24	1028110	BRKT, DOOR SWITCH, VOLPI H3HR
25	LT-3738	DOOR, INTERLOCK SWITCH
26	5029108	BLOWER HOUSING, ASSY,VWHXH
27	5029109R	MOTOR,FAN,ASSY, VWHXH
28	1034778	BLOWER DEFLECTOR,
29	TT-47129	THERMOSTAT,AUTO RESET,
30	1031343	BRACKET, MOTOR SUPPORT VWH3H
31	SC-37702	SCREW, M4 X 12MM SEMS
32	NU-23909	NUT, HEX INSERT M5
33	NU-26866	NUT, HEX INSERT M4
34	1031346	GASKET, LEFT DOOR, VWH3HL
35	1031347	GASKET, BOTTOM DOOR, VWHXH
36	5024271	WIRE ASM, COOLING FAN (not shown)
37	CB-46358	CABLE, MOTOR DRIVE (not shown)
38	5024003	FILTER ASM, INTERNAL (1 set/chamber; not shown)

# Panels, VWH3H



ID	Part No.	Description
1	5031797	ASM, TOP COVER VWH
2	1028087	DOOR, BREAKER, VOLPI H
3	5032074	PANEL ASSEMBLY, BACK VWH3H
4	1035136	RIGHT SIDE SKIN, VWH3H
5	1031335	DOOR FILLER, VWHXL (LH)
6	1034945	DOOR FILLER, VWHXR (RH)
7	5029084	ASSY,PANEL FRONT, VWH3H
8	1035137	LEFT SIDE SKIN, VWH3H

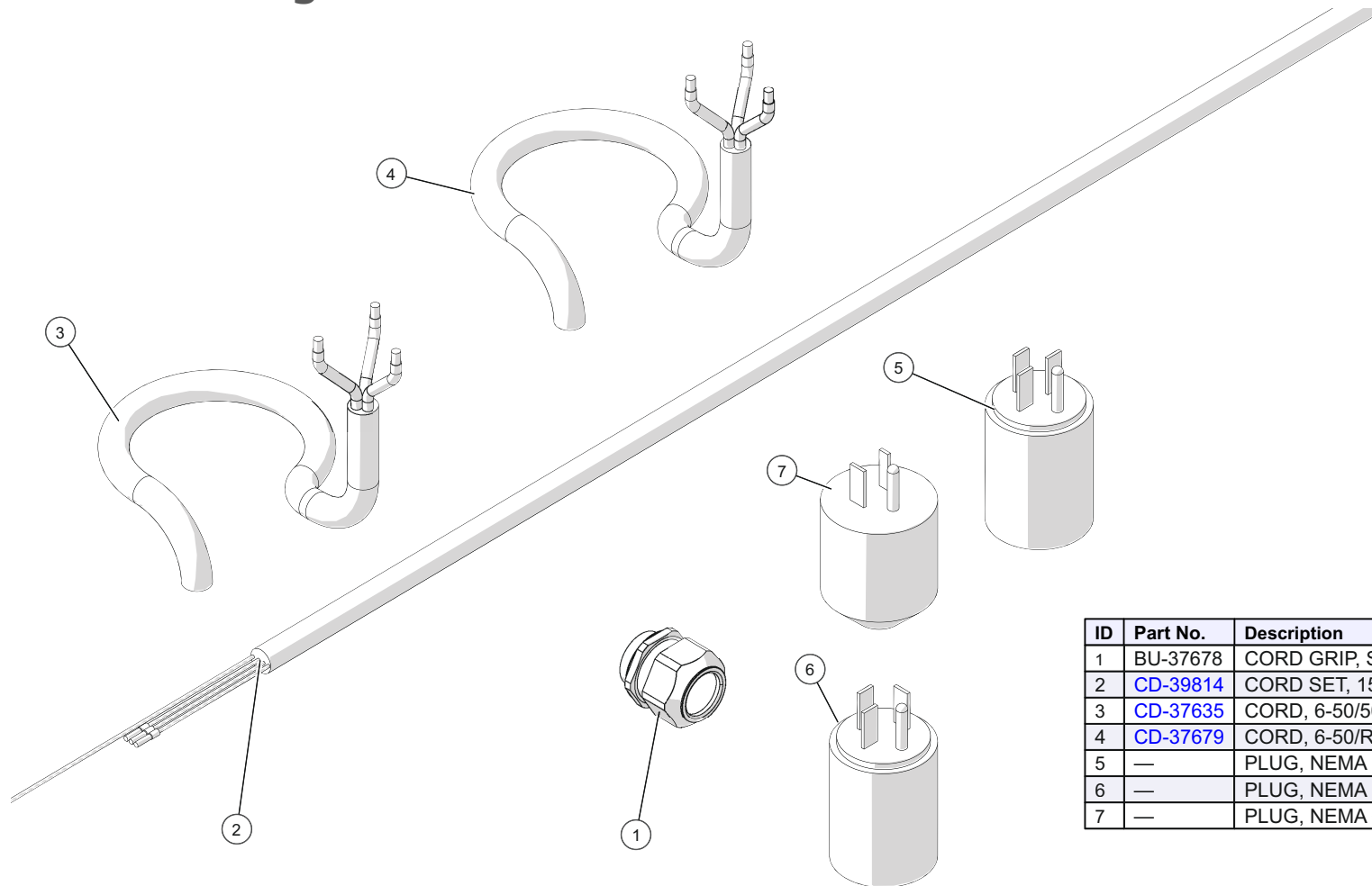
# Motor/Fan Assembly



NOTE: Parts shown for reference only; not sold separately. Must purchase service kit [5029109R](#).

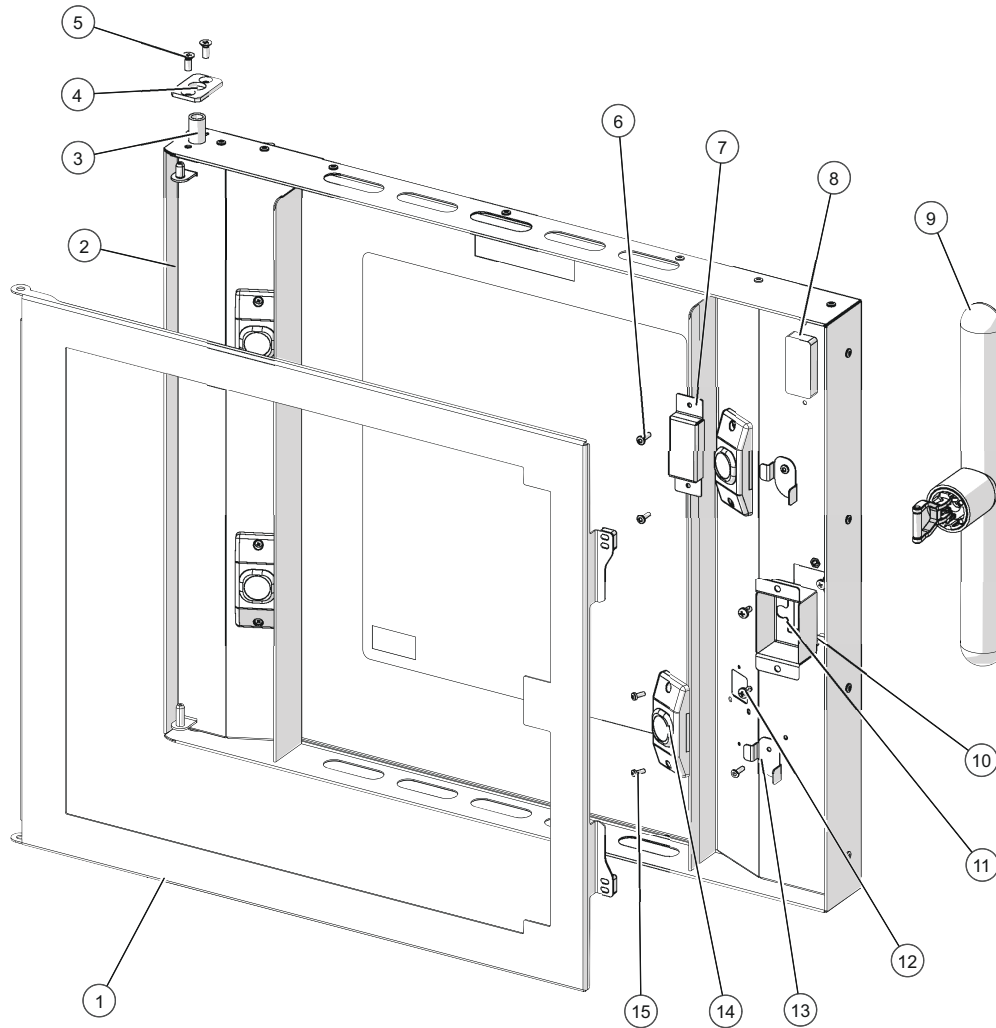
ID	Part No.	Description
1	<a href="#">5029109R</a>	MOTOR,FAN,ASSY, VWHXH
2	WH-46477	WHEEL,BLOWER,FERGAS, 126MM X 7
3	<a href="#">NU-39180</a>	NUT,M4-0.7 HEX FLG-SERR CL8 SS
4	5031345	BRACKET,FAN MOTOR MTG,VWH
5	SC-39147	SCREW, 8-18 X .480 HEX WASHER
6	<a href="#">WH-37632</a>	RADIAL BLOWER WHEEL, R-STYLE W
7	MO-46983	MOTOR,TELCO_SINGLE_SHAFT

# Cords and Plugs



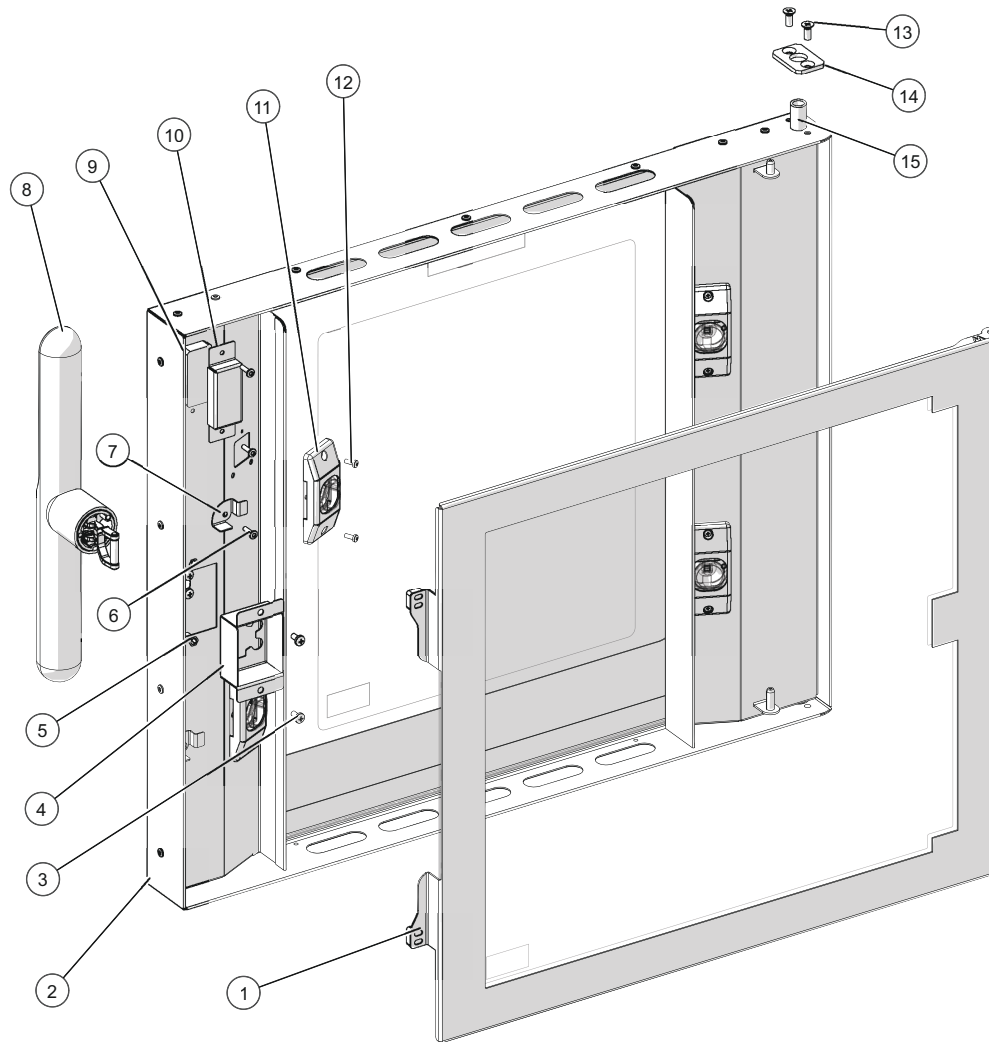
ID	Part No.	Description
1	BU-37678	CORD GRIP, STRAIGHT, 1.260#
2	<a href="#">CD-39814</a>	CORD SET, 15-30, 90C, 250V
3	<a href="#">CD-37635</a>	CORD, 6-50/50A, 90C, 86" 250V
4	<a href="#">CD-37679</a>	CORD, 6-50/RT, 50A, 90C, 86"
5	—	PLUG, NEMA 15-30
6	—	PLUG, NEMA 15-50
7	—	PLUG, NEMA 6-50

## Door Assembly, Right, VWH2H Simple



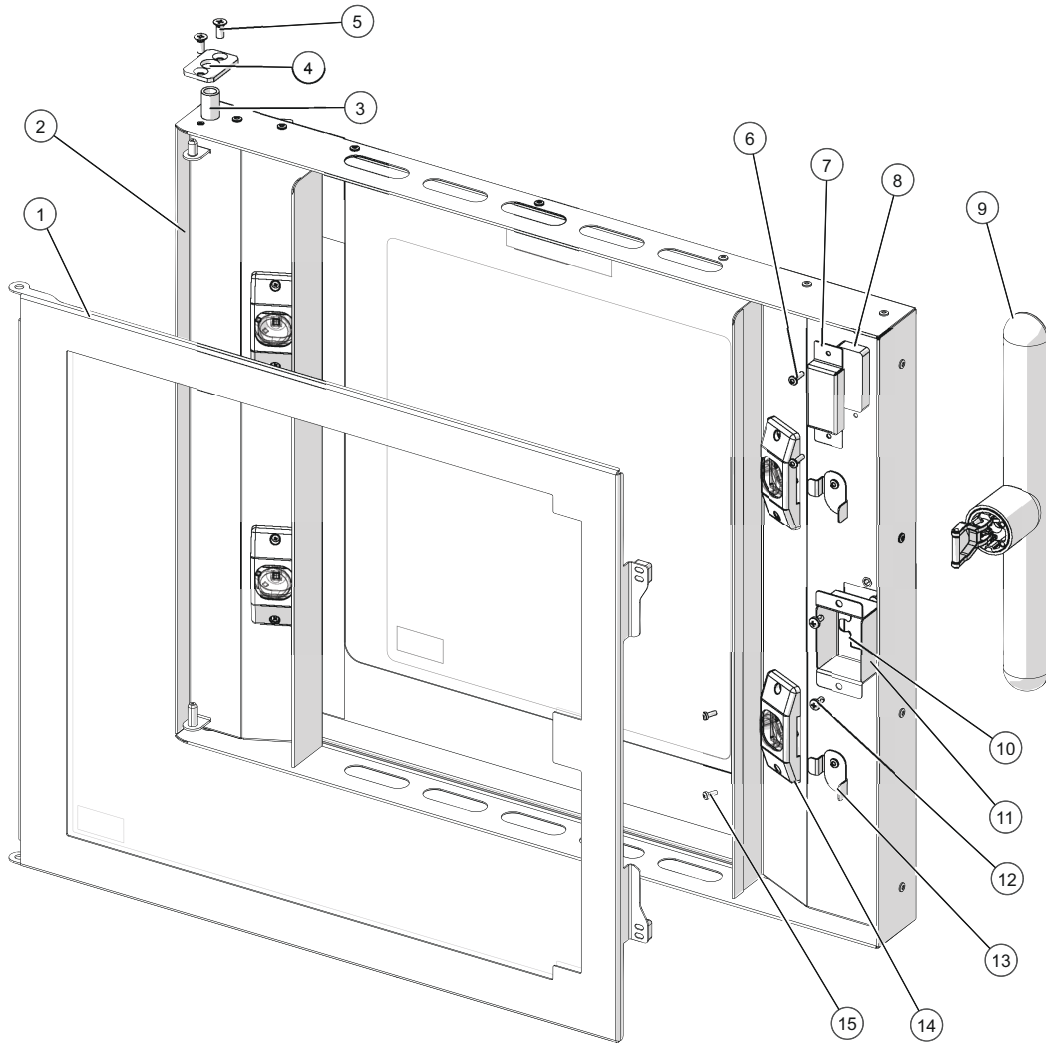
ID	Part No.	Description
1	5032194	DOOR, INNER GLASS, VWH2HR
2	5032369	DOOR ASSY, OUTER, VWH2HR SX
3	HG-39655	HINGE,PIN,DOOR,ADJUSTABLE
4	HG-39656	HINGE,PLATE,DOOR PIN
5	SC-46158	SCREW,M5x0.8X12MM FLAT
6	RI-27108	RIVET, SEALED
7	1007699	COVER, MAGNET, INSIDE, SINGLE
8	MA-25734	MAGNET, DOOR, AR-7E,BLACK
9	HD-46397	HANDLE, PENDULUM, LH, NO LED
10	NU-26866	NUT, HEX INSERT M4
11	1031270	BRACKET, DOOR HANDLE ACCESS
12	SC-46575	SCREW, M4 X 8MM, PHH
13	1030560	INNER DOOR LOCK
14	5028680	ASSEMBLY, LED IN-DOOR
15	SC-22268	SCREW,M3x0.5X8MM PAN
16	CB-46433	CABLE HARNESS,CAVITY LIGHT,66" (not shown)
17	5032764	CONVERSION KIT, RH TO LH DOOR (not shown)

## Door Assembly, Left, VWH2H Simple



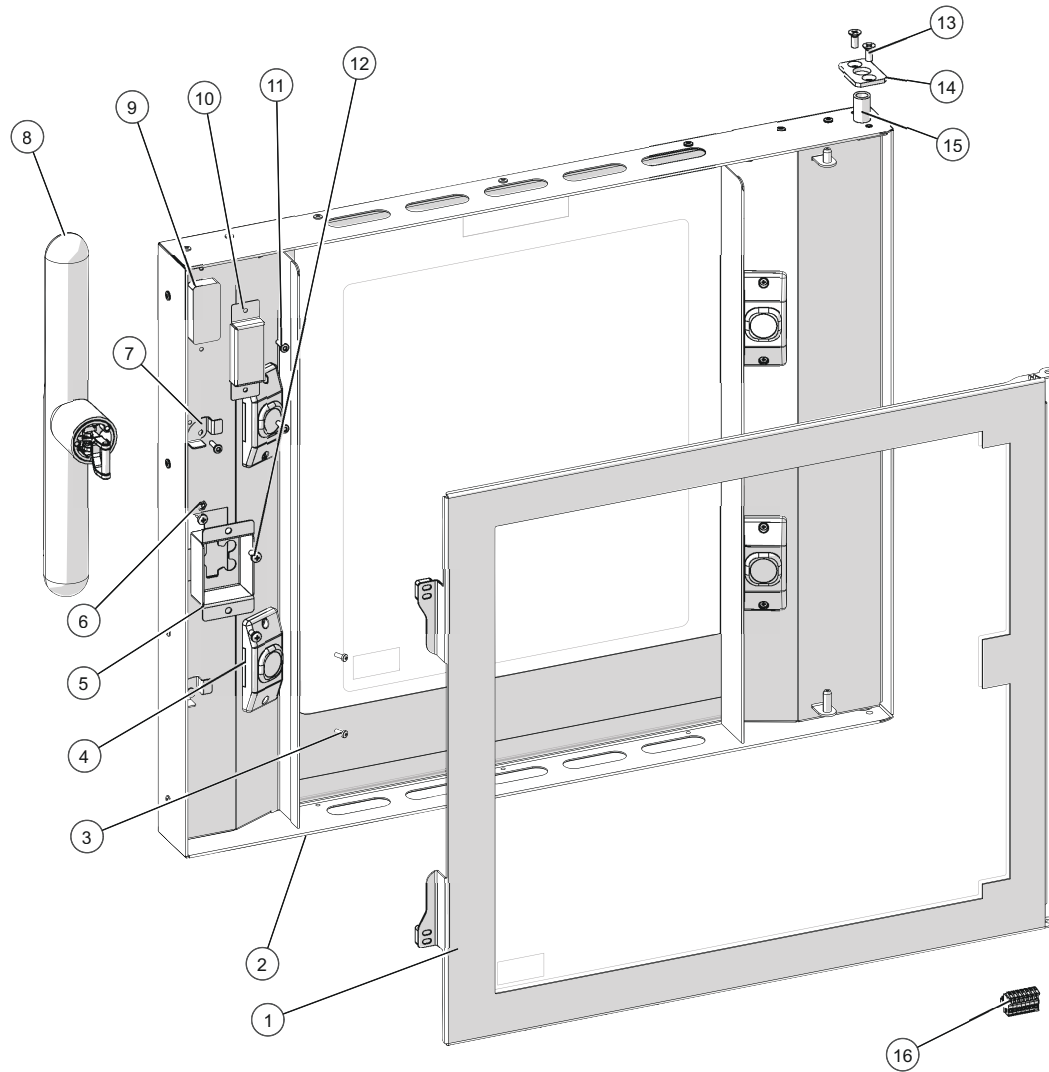
ID	Part No.	Description
1	5032182	DOOR, INNER GLASS, VWH2HL
2	5032192	DOOR ASSY, OUTER, VWH2HL, SX
3	<a href="#">SC-46575</a>	SCREW, M4 X 8MM, PHH
4	1032072	BRACKET, DOOR HANDLE ACCESS
5	<a href="#">NU-26866</a>	NUT, HEX INSERT M4
6	RI-27108	RIVET, SEALED
7	1030762	CLIP, INNER DOOR GLASS
8	<a href="#">HD-46397</a>	HANDLE, PENDULUM, LH, NO LED
9	<a href="#">MA-25734</a>	MAGNET, DOOR, AR-7E, BLACK
10	<a href="#">1007699</a>	COVER, MAGNET, INSIDE, SINGLE
11	<a href="#">5028680</a>	ASSEMBLY, LED IN-DOOR
12	<a href="#">SC-22268</a>	SCREW, M3x0.5X8MM PAN
13	SC-46158	SCREW, M5x0.8X12MM FLAT
14	<a href="#">HG-39656</a>	HINGE, PLATE, DOOR PIN
15	<a href="#">HG-39655</a>	HINGE, PIN, DOOR, ADJUSTABLE
16	<a href="#">CB-46433</a>	CABLE HARNESS, CAVITY LIGHT, 66" (not shown)
17	5032765	CONVERSION KIT, LH TO RH DOOR (not shown)

## Door Assembly, Right, VWH2H Deluxe



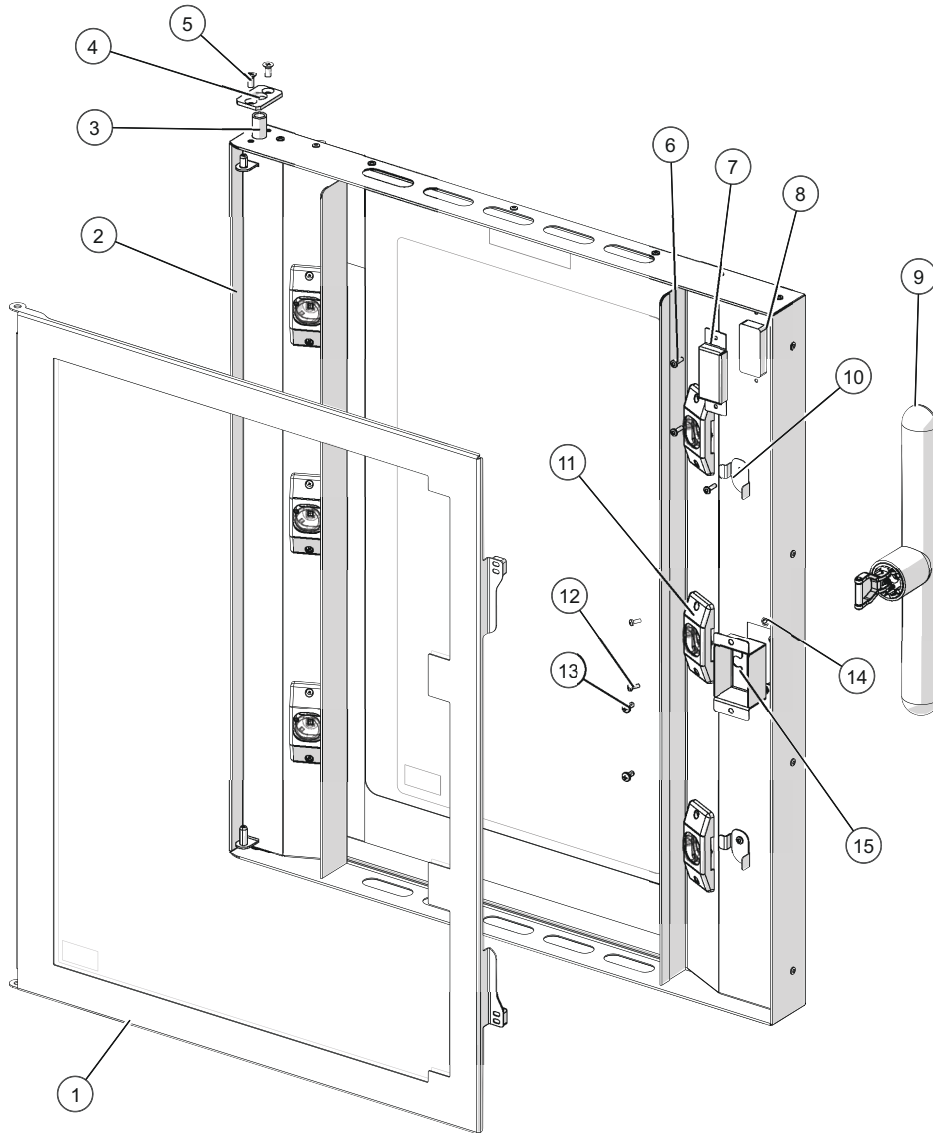
ID	Part No.	Description
1	5032194	DOOR, INNER GLASS, VWH2HR
2	5032195	DOOR ASSY, OUTER, VWH2HR DX
3	<a href="#">HG-39655</a>	HINGE,PIN,DOOR,ADJUSTABLE
4	<a href="#">HG-39656</a>	HINGE,PLATE,DOOR PIN
5	SC-46158	SCREW,M5x0.8X12MM FLAT
6	<a href="#">RI-27108</a>	RIVET, SEALED
7	<a href="#">1007699</a>	COVER, MAGNET, INSIDE, SINGLE
8	MA-25734	MAGNET, DOOR, AR-7E,BLACK
9	HD-39588	HANDLE, PENDULUM, LH, W/LIGHT
10	1031270	BRACKET, DOOR HANDLE ACCESS
11	<a href="#">NU-26866</a>	NUT, HEX INSERT M4
12	<a href="#">SC-46575</a>	SCREW, M4 X 8MM, PHH
13	<a href="#">1030560</a>	INNER DOOR LOCK
14	<a href="#">5028680</a>	ASSEMBLY, LED IN-DOOR
15	<a href="#">SC-22268</a>	SCREW,M3x0.5X8MM PAN
16	TM-34931	TERMINAL, 3.5MM PLUGGABLE, 7 POLE
17	CB-46182	CABLE HARNESS,HANDLE LIGHT,54" (not shown)
18	<a href="#">CB-46433</a>	CABLE HARNESS,CAVITY LIGHT,66" (not shown)
19	5032758	CONVERSION KIT, RH TO LH DOOR (not shown)

# Door Assembly, VWH2H LH Deluxe



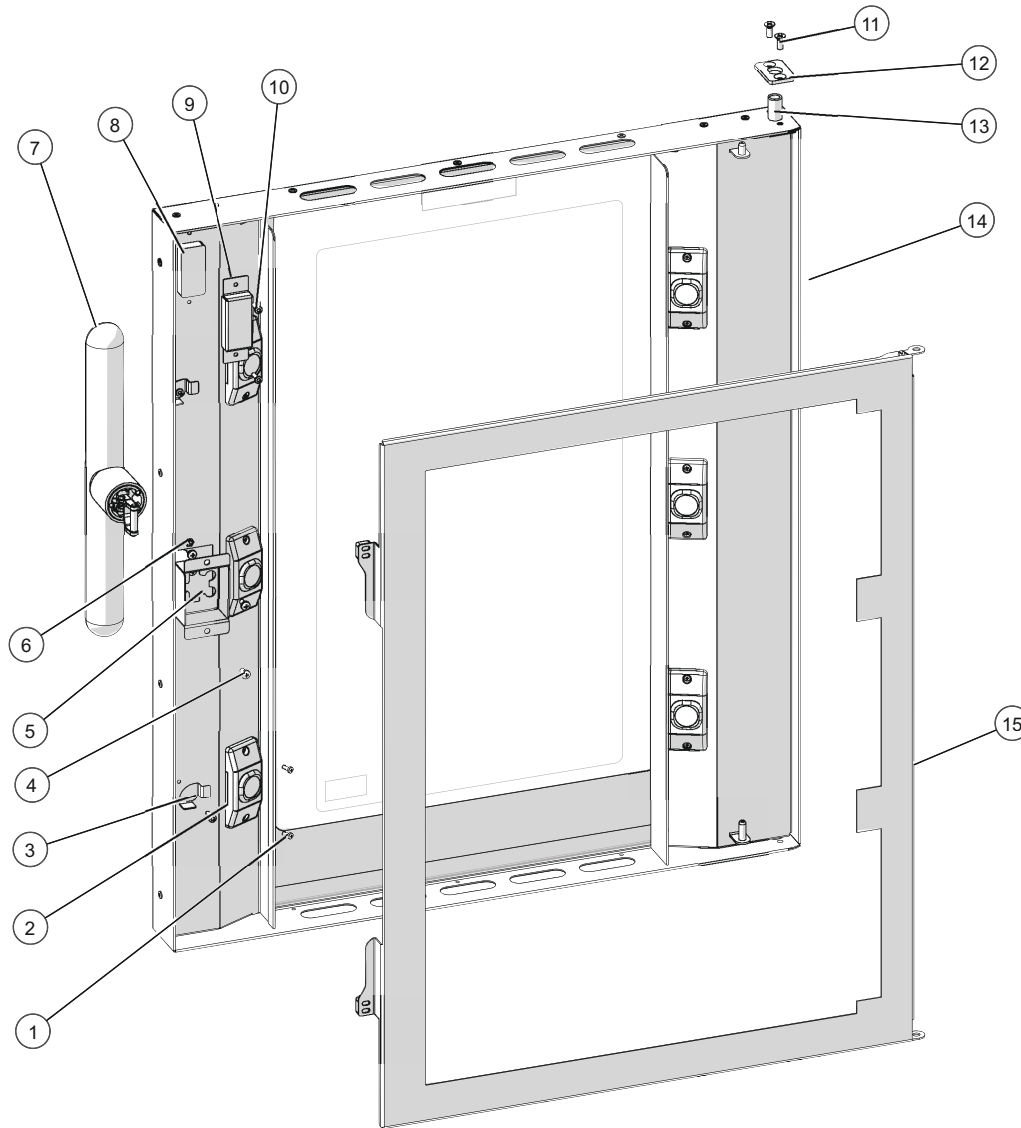
ID	Part No.	Description
1	5032182	DOOR, INNER GLASS, VWH2HL
2	5032186	DOOR ASSY, OUTER, VWH2HL DX
3	SC-22268	SCREW,M3x0.5X8MM PAN
4	5028680	ASSEMBLY, LED IN-DOOR
5	1032072	BRACKET, DOOR HANDLE ACCESS
6	NU-26866	NUT, HEX INSERT M4
7	1030762	CLIP, INNER DOOR GLASS
8	HD-39588	HANDLE, PENDULUM, LH, W/LIGHT
9	MA-25734	MAGNET, DOOR, AR-7E,BLACK
10	1007699	COVER, MAGNET, INSIDE, SINGLE
11	RI-27108	RIVET, SEALED
12	SC-46575	SCREW, M4 X 8MM, PHH
13	SC-46158	SCREW,M5x0.8X12MM FLAT
14	HG-39656	HINGE,PLATE,DOOR PIN
15	HG-39655	HINGE,PIN,DOOR,ADJUSTABLE
16	TM-34931	TERMINAL, 3.5MM PLUGGABLE, 7 POLE
17	CB-46182	CABLE HARNESS,HANDLE LIGHT,54" (not shown)
18	CB-46433	CABLE HARNESS,CAVITY LIGHT,66" (not shown)
19	5032766	CONVERSION KIT, LH TO RH DOOR (not shown)

## Door Assembly, Right, VWH3H Simple



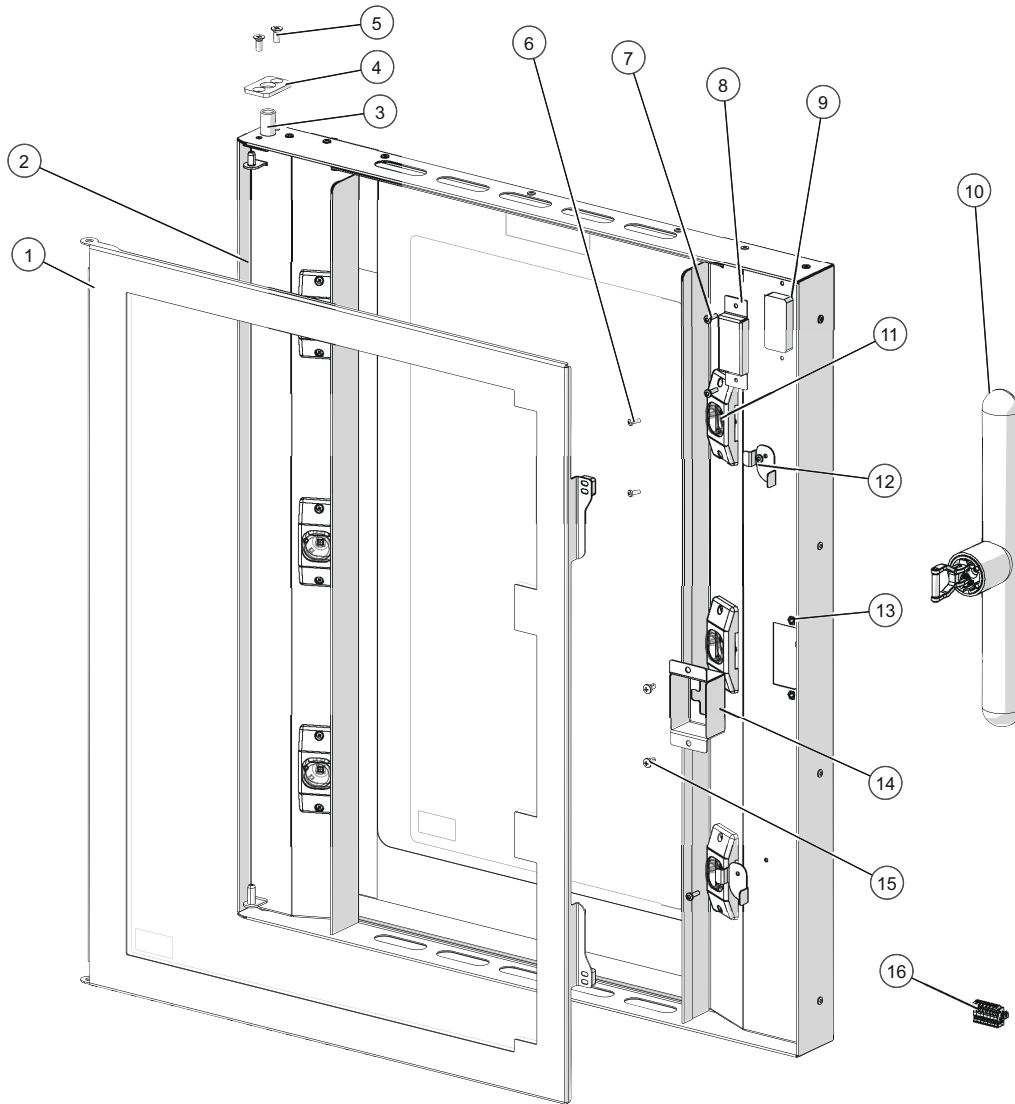
ID	Part No.	Description
1	5031901	DOOR, INNER GLASS, VWH3R
2	5032354	DOOR ASSY, OUTER, VWH3HR SX
3	<a href="#">HG-39655</a>	HINGE,PIN,DOOR,ADJUSTABLE
4	<a href="#">HG-39656</a>	HINGE,PLATE,DOOR PIN
5	SC-46158	SCREW,M5x0.8X12MM FLAT
6	<a href="#">RI-27108</a>	RIVET, SEALED
7	<a href="#">1007699</a>	COVER, MAGNET, INSIDE, SINGLE
8	MA-25734	MAGNET, DOOR, AR-7E,BLACK
9	<a href="#">HD-46397</a>	HANDLE, PENDULUM, LH, NO LED
10	<a href="#">1030560</a>	INNER DOOR LOCK
11	<a href="#">5028680</a>	ASSEMBLY, LED IN-DOOR
12	<a href="#">SC-22268</a>	SCREW,M3x0.5X8MM PAN
13	<a href="#">SC-46575</a>	SCREW, M4 X 8MM, PHH
14	NU-26866	NUT, HEX INSERT M4
15	1031270	BRACKET, DOOR HANDLE ACCESS
16	<a href="#">CB-46433</a>	CABLE HARNESS,CAVITY LIGHT,66" (not shown)
17	5032756	CONVERSION KIT, RH TO LH DOOR (not shown)

## Door Assembly, Left, VWH3H Simple



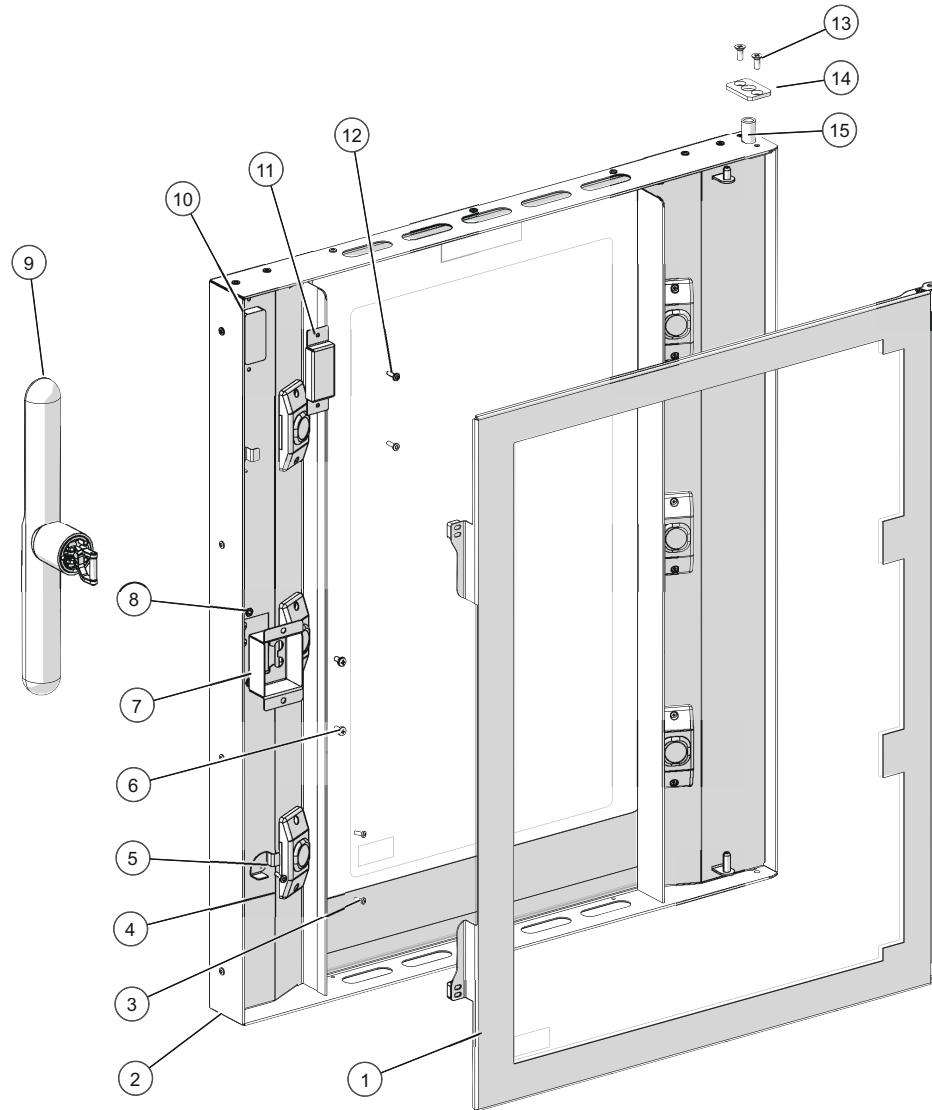
ID	Part No.	Description
1	<a href="#">SC-22268</a>	SCREW,M3x0.5X8MM PAN
2	<a href="#">5028680</a>	ASSEMBLY, LED IN-DOOR
3	1030762	CLIP, INNER DOOR GLASS
4	<a href="#">SC-46575</a>	SCREW, M4 X 8MM, PHH
5	1032072	BRACKET, DOOR HANDLE ACCESS
6	NU-26866	NUT, HEX INSERT M4
7	<a href="#">HD-46397</a>	HANDLE, PENDULUM, LH, NO LED
8	MA-25734	MAGNET, DOOR, AR-7E,BLACK
9	<a href="#">1007699</a>	COVER, MAGNET, INSIDE, SINGLE
10	<a href="#">RI-27108</a>	RIVET, SEALED
11	SC-46158	SCREW,M5x0.8X12MM FLAT
12	<a href="#">HG-39656</a>	HINGE,PLATE,DOOR PIN
13	<a href="#">HG-39655</a>	HINGE,PIN,DOOR,ADJUSTABLE
14	5031829	DOOR ASSY, OUTER, VWH3L, SX
15	5029068	DOOR, INNER GLASS, VWH3L
16	<a href="#">CB-46433</a>	CABLE HARNESS,CAVITY LIGHT,66" (not shown)
17	5032761	CONVERSION KIT, LH TO RH DOOR (not shown)

## Door Assembly, Right, VWH3H Deluxe



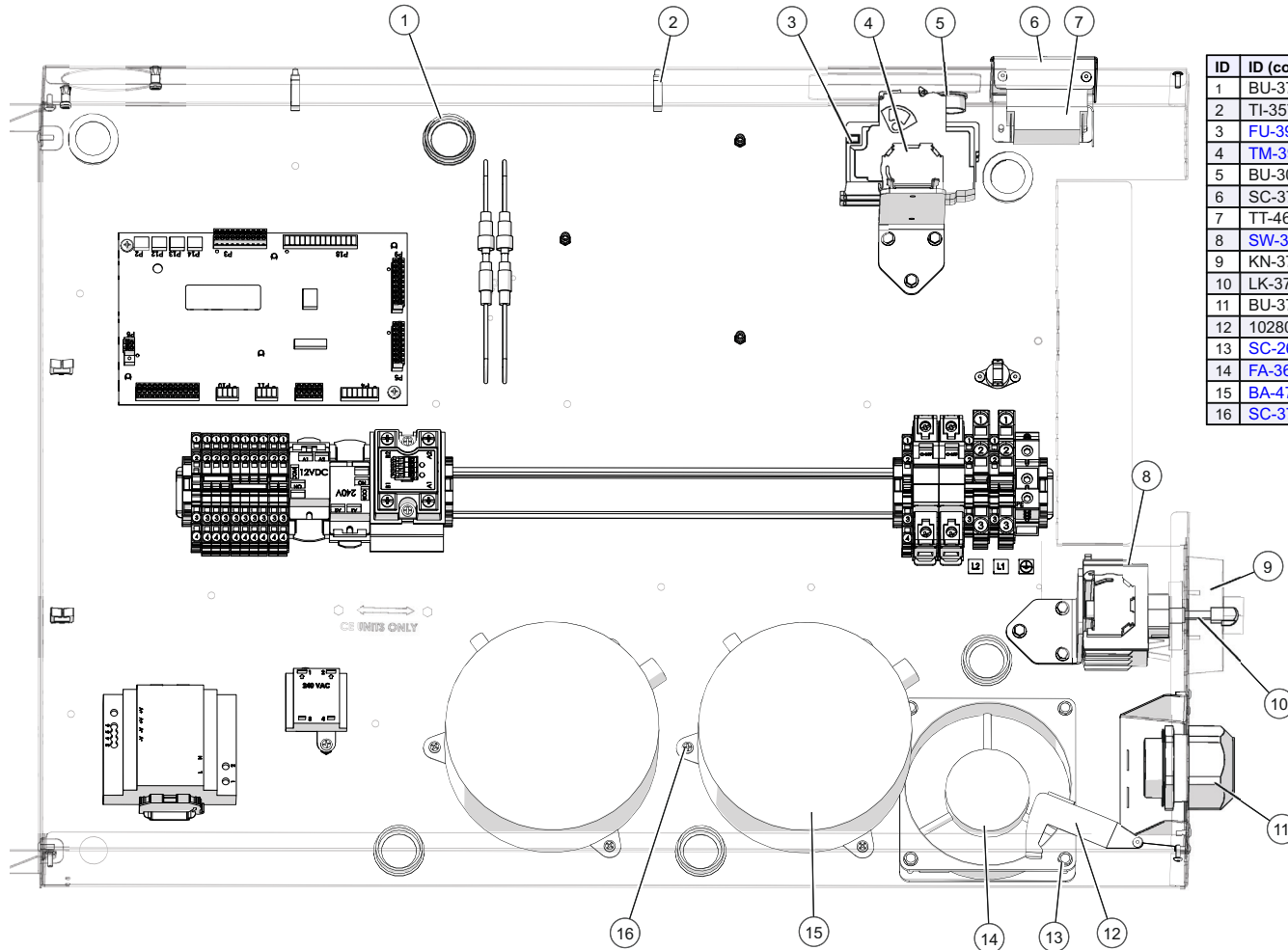
ID	Part No.	Description
1	5031901	DOOR, INNER GLASS, VWH3R
2	5031902	DOOR ASSY, OUTER, VWH3R DX
3	HG-39655	HINGE,PIN,DOOR,ADJUSTABLE
4	HG-39656	HINGE,PLATE,DOOR PIN
5	SC-46158	SCREW,M5x0.8X12MM FLAT
6	SC-22268	SCREW,M3x0.5X8MM PAN
7	RI-27108	RIVET, SEALED
8	1007699	COVER, MAGNET, INSIDE, SINGLE
9	MA-25734	MAGNET, DOOR, AR-7E,BLACK
10	HD-39588	HANDLE, PENDULUM, LH, W/LIGHT
11	5028680	ASSEMBLY, LED IN-DOOR
12	1030560	INNER DOOR LOCK
13	NU-26866	NUT, HEX INSERT M4
14	1031270	BRACKET, DOOR HANDLE ACCESS
15	SC-46575	SCREW, M4 X 8MM, PHH
16	TM-34931	TERMINAL, 3.5MM PLUGGABLE, 7 POLE
17	CB-46433	CABLE HARNESS,CAVITY LIGHT,66" (not shown)
18	CB-46902	CABLE HARNESS,HANDLE LIGHT,70" (not shown)
19	5032762	CONVERSION KIT, RH TO LH DOOR (not shown)

## Door Assembly, VWH3H LH Deluxe



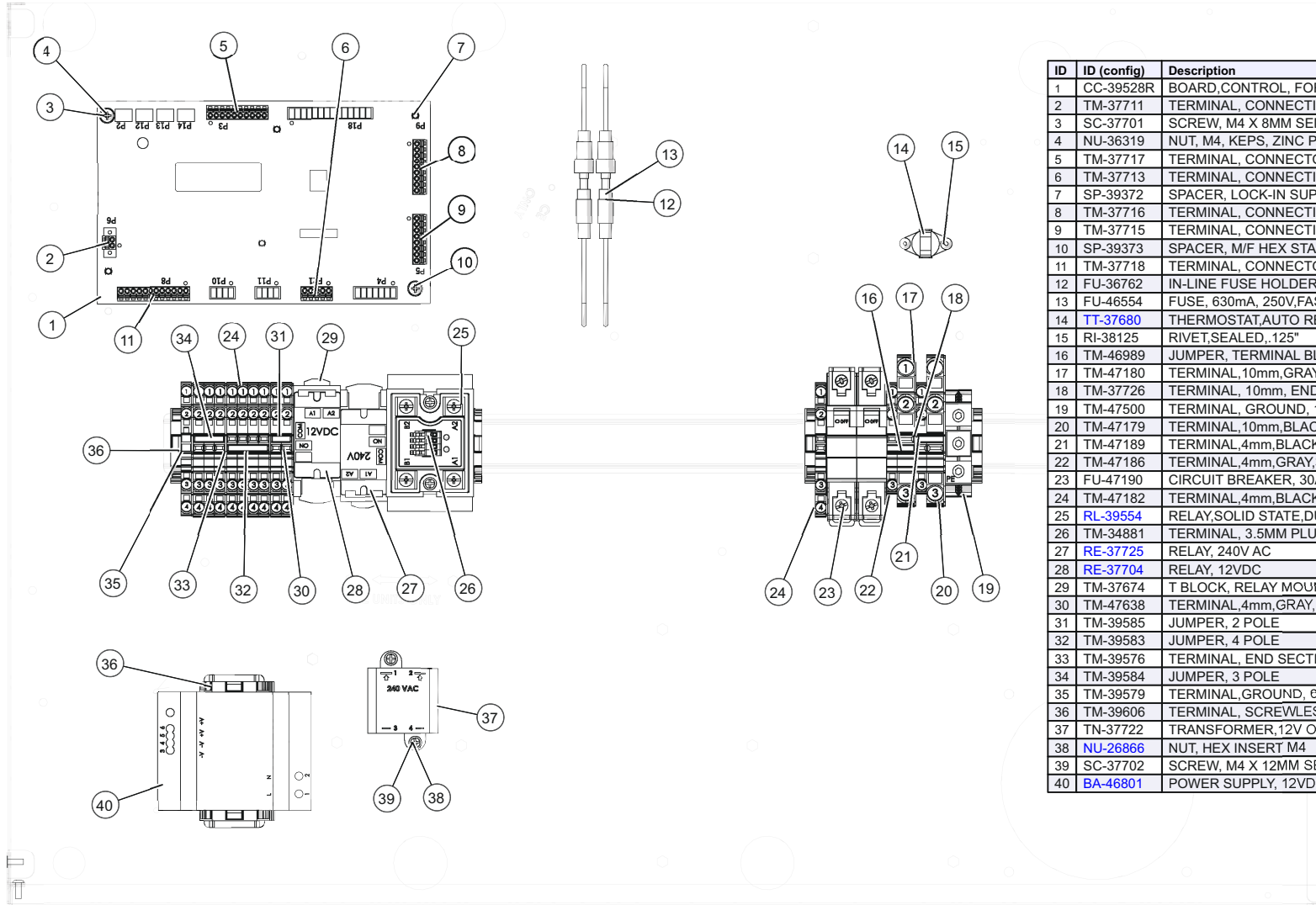
ID	Part No.	Description
1	5029068	DOOR, INNER GLASS, VWH3L
2	5029069	DOOR ASSY, OUTER, VWH3L DX
3	<a href="#">SC-22268</a>	SCREW,M3x0.5X8MM PAN
4	<a href="#">5028680</a>	ASSEMBLY, LED IN-DOOR
5	1030762	CLIP, INNER DOOR GLASS
6	<a href="#">SC-46575</a>	SCREW, M4 X 8MM, PHH
7	1032072	BRACKET, DOOR HANDLE ACCESS
8	<a href="#">NU-26866</a>	NUT, HEX INSERT M4
9	HD-39588	HANDLE, PENDULUM, LH, W/LIGHT
10	<a href="#">MA-25734</a>	MAGNET, DOOR, AR-7E,BLACK
11	<a href="#">1007699</a>	COVER, MAGNET, INSIDE, SINGLE
12	<a href="#">RI-27108</a>	RIVET, SEALED
13	<a href="#">SC-46158</a>	SCREW,M5x0.8X12MM FLAT
14	<a href="#">HG-39656</a>	HINGE,PLATE,DOOR PIN
15	<a href="#">HG-39655</a>	HINGE,PIN,DOOR,ADJUSTABLE
16	<a href="#">TM-34931</a>	TERMINAL, 3.5MM PLUGGABLE, 7 POLE
17	CB-46182	CABLE HARNESS,HANDLE LIGHT,54" (not shown)
18	<a href="#">CB-46433</a>	CABLE HARNESS,CAVITY LIGHT,66" (not shown)
19	5032763	CONVERSION KIT, LH TO RH DOOR (not shown)

# Electrical Assembly, VWH2H 208-240V 1Φ



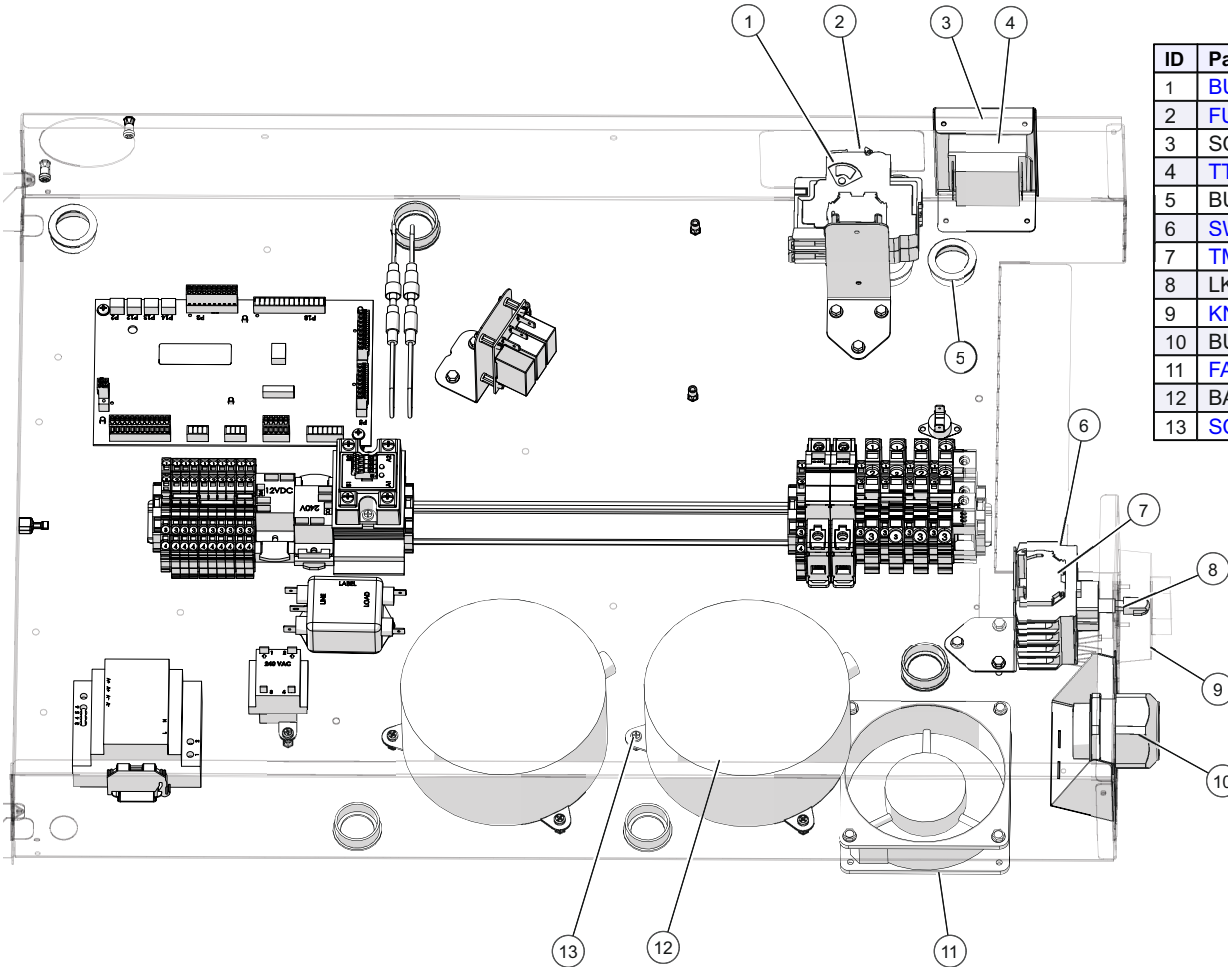
ID	ID (config)	Description
1	BU-37626	1-1/4" SNAP BUSHING
2	TI-35719	PUSH IN WIRE RETAINER
3	FU-39058	CIRCUIT BREAKER, 20A
4	TM-39606	TERMINAL, SCREWLESS END
5	BU-3008	3/4" WHITE SNAP BUSHING
6	SC-37701	SCREW, M4 X 8MM SEMS
7	TT-46376	THERMAL CUTOFF, MECHANICAL,
8	SW-37630	POWER SWITCH, DISCONNECT 60A
9	KN-37667	KNOB, POWER, INCLUDED W/SWITCH
10	LK-37670	SHAFT, 2" DISCONNECT, SWITCH
11	BU-37678	CORD GRIP, LIQUID TIGHT
12	1028096	STOP, TOP, VOLPI H
13	SC-26520	SCREW, #10X1/2" HEX SERR FLG
14	FA-36957	FAN, 230V, MECHATRONICS, HI-TEMP
15	BA-47164	DRIVE, 208/240V TELCO, 1/2 HP
16	SC-37702	SCREW, M4 X 12MM SEMS

# Terminals & Boards, VWH2H 208-240V 1Φ



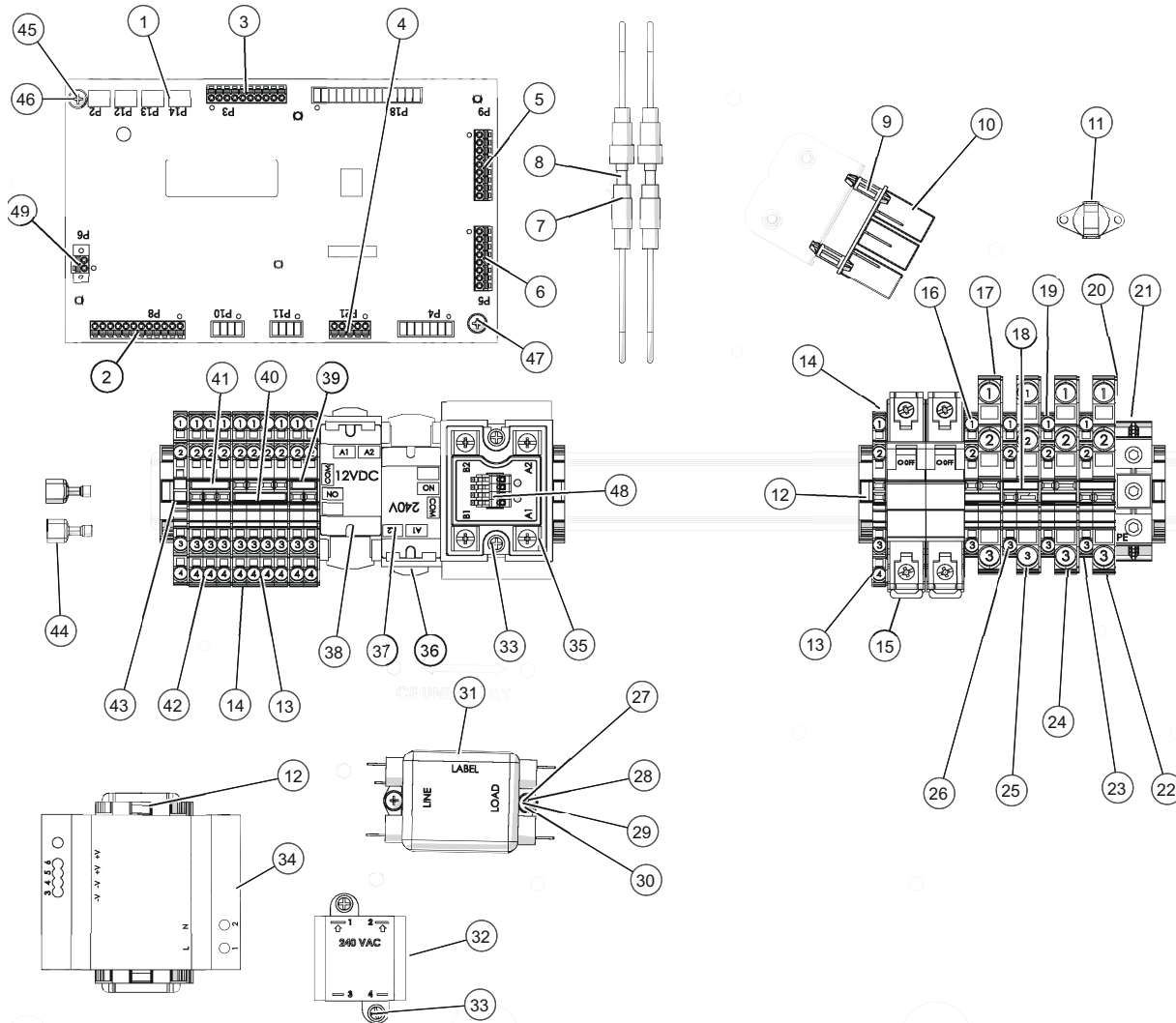
ID	ID (config)	Description
1	CC-39528R	BOARD,CONTROL, FOR VMC
2	TM-37711	TERMINAL, CONNECTION, 2 PIN
3	SC-37701	SCREW, M4 X 8MM SEMS
4	NU-36319	NUT, M4, KEPS, ZINC PLATED
5	TM-37717	TERMINAL, CONNECTOR, 10 PIN
6	TM-37713	TERMINAL, CONNECTION, 5 PIN
7	SP-39372	SPACER, LOCK-IN SUPPRT
8	TM-37716	TERMINAL, CONNECTION, 9 PIN
9	TM-37715	TERMINAL, CONNECTION, 8 PIN
10	SP-39373	SPACER, M/F HEX STANDOFF 6MM
11	TM-37718	TERMINAL, CONNECTOR, 12 PIN
12	FU-36762	IN-LINE FUSE HOLDER, 5X20MM 150 SER
13	FU-46554	FUSE, 630mA, 250V,FAST ACTING,
14	TT-37680	THERMOSTAT,AUTO RESET,
15	RI-38125	RIVET,SEALED,,.125"
16	TM-46989	JUMPER, TERMINAL BLOCK
17	TM-47180	TERMINAL, 10mm,GRAY,3-CONDUCTOR
18	TM-37726	TERMINAL, 10mm, END
19	TM-47500	TERMINAL, GROUND, 16MM, 800V
20	TM-47179	TERMINAL, 10mm,BLACK,3CONDUCTOR
21	TM-47189	TERMINAL,4mm,BLACK,3-CONDUCTOR
22	TM-47186	TERMINAL,4mm,GRAY,3-CONDUCTOR
23	FU-47190	CIRCUIT BREAKER, 30A
24	TM-47182	TERMINAL,4mm,BLACK,4-CONDUCTOR
25	RL-39554	RELAY,SOLID STATE,DUAL,50A
26	TM-34881	TERMINAL, 3.5MM PLUGGABLE, 4 POLE
27	RE-37725	RELAY, 240V AC
28	RE-37704	RELAY, 12VDC
29	TM-37674	T BLOCK, RELAY MOUNT
30	TM-47638	TERMINAL,4mm,GRAY,4-CONDUCTOR
31	TM-39585	JUMPER, 2 POLE
32	TM-39583	JUMPER, 4 POLE
33	TM-39576	TERMINAL, END SECTION, SPRING
34	TM-39584	JUMPER, 3 POLE
35	TM-39579	TERMINAL,GROUND, 6mm, SPRING
36	TM-39606	TERMINAL, SCREWLESS END
37	TN-37722	TRANSFORMER,12V OUT,240V IN,
38	NU-26866	NUT, HEX INSERT M4
39	SC-37702	SCREW, M4 X 12MM SEMS
40	BA-46801	POWER SUPPLY, 12VDC, 100W

# Electrical Assembly, VWH2H 208-240V 1Φ CE



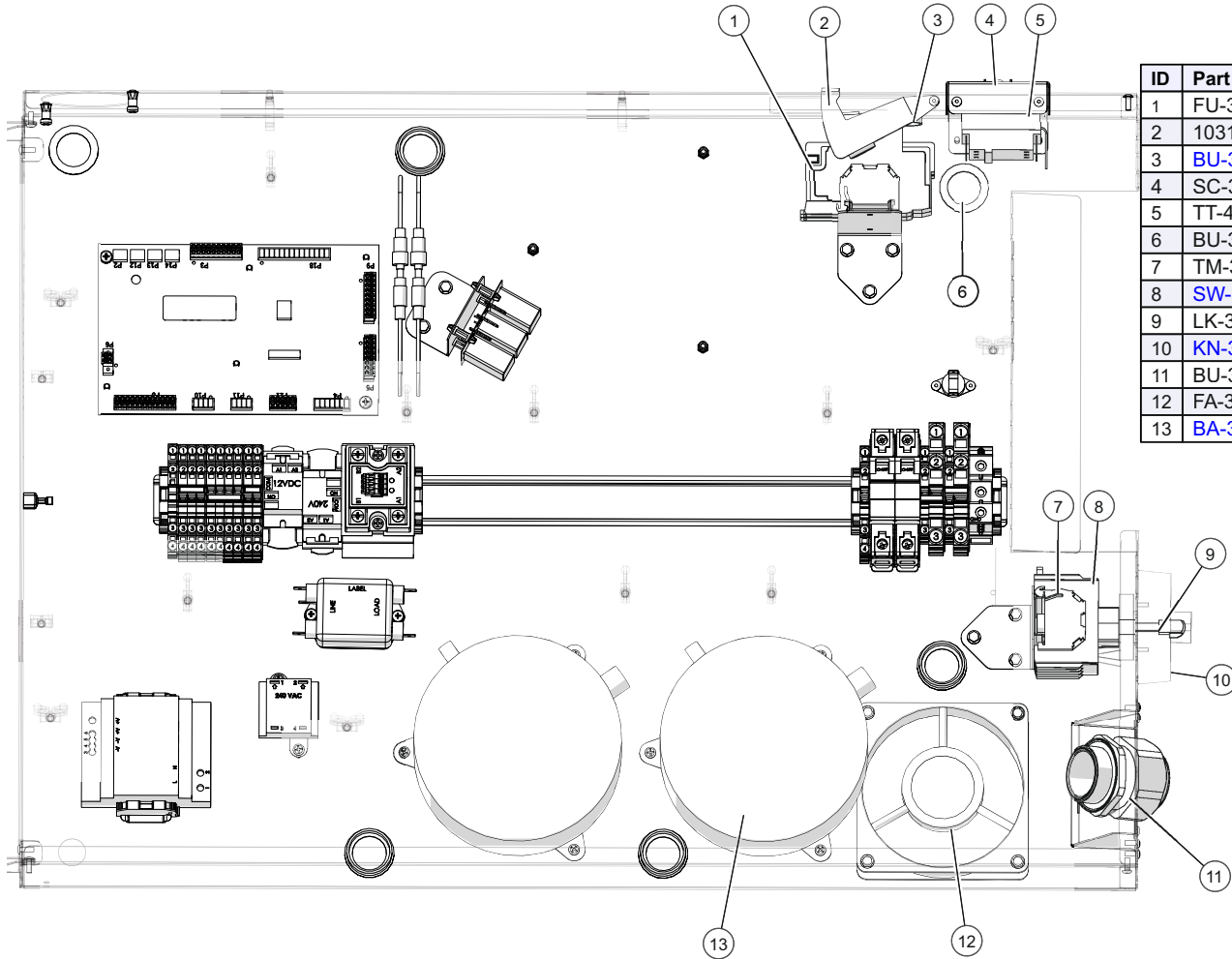
ID	Part No.	Description
1	<a href="#">BU-3008</a>	3/4" WHITE SNAP BUSHING
2	<a href="#">FU-39058</a>	CIRCUIT BREAKER, 20A
3	<a href="#">SC-37701</a>	SCREW, M4 X 8MM SEMS
4	<a href="#">TT-46376</a>	THERMAL CUTOFF, MECHANICAL,
5	<a href="#">BU-37626</a>	1-1/4" SNAP BUSHING
6	<a href="#">SW-39228</a>	POWER SWITCH,DISCONNECT 60A
7	<a href="#">TM-39606</a>	TERMINAL, SCREWLESS END
8	<a href="#">LK-37670</a>	SHAFT,2" DISCONNECT,SWITCH
9	<a href="#">KN-37667</a>	KNOB,POWER,INCLUDED W/SWITCH
10	<a href="#">BU-37678</a>	CORD GRIP, LIQUID TIGHT
11	<a href="#">FA-36957</a>	FAN,230V,MECHATRONICS,HI-TEMP
12	<a href="#">BA-39727</a>	BOARD CONTROLLER, TELCO
13	<a href="#">SC-37702</a>	SCREW, M4 X 12MM SEMS

# Terminal & Board Details, VWH2H 208-240V 1Φ CE



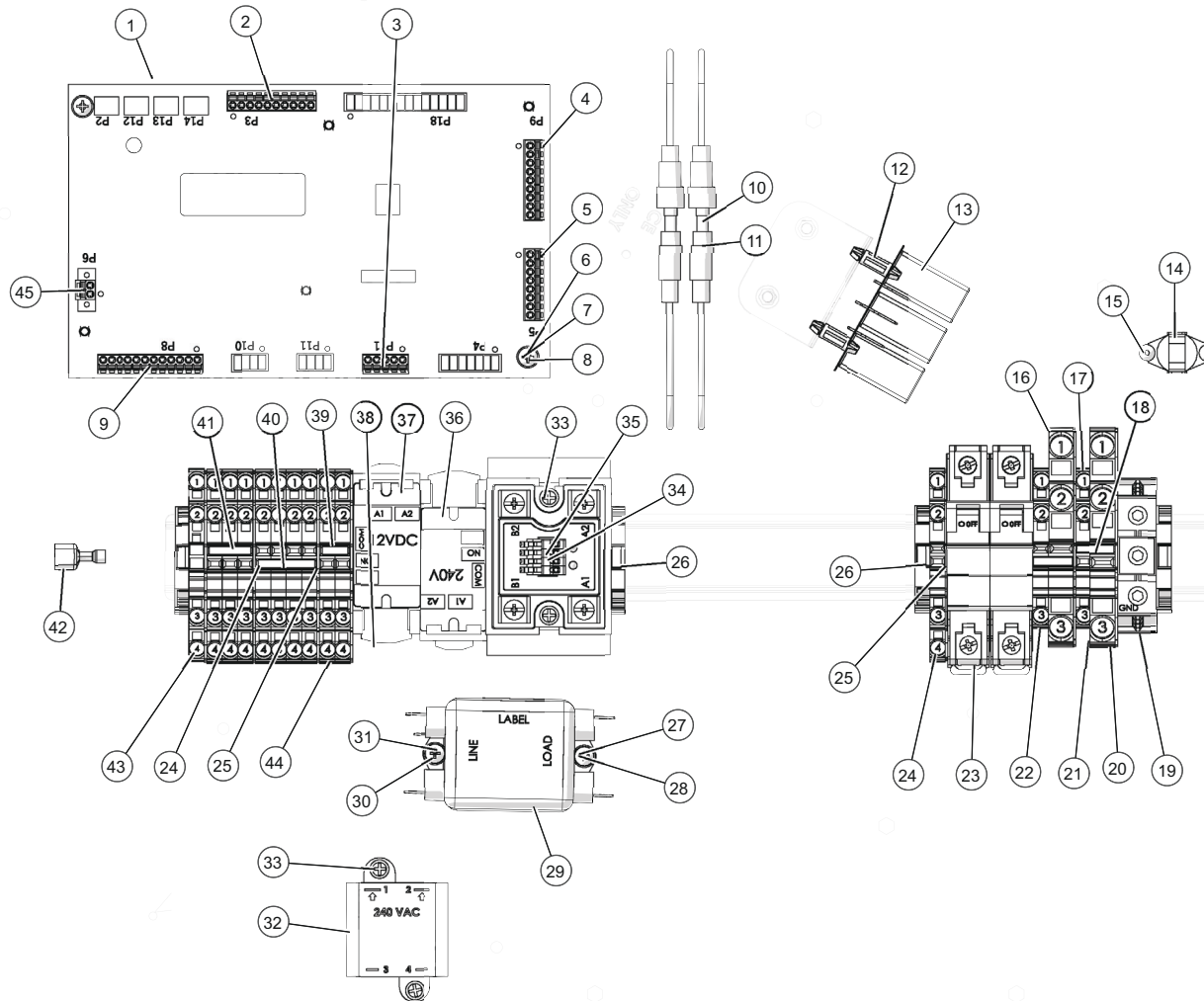
ID	Part No.	Description	Qty
1	CC-39528R	BOARD,CONTROL, FOR VMC	1
2	TM-37718	TERMINAL, CONNECTOR, 12 PIN	1
3	TM-37717	TERMINAL, CONNECTOR, 10 PIN	1
4	TM-37713	TERMINAL, CONNECTION, 5 PIN	1
5	TM-37716	TERMINAL, CONNECTION, 9 PIN	1
6	TM-37715	TERMINAL, CONNECTION, 8 PIN	1
7	FU-36762	IN-LINE FUSE HOLDER, 5X20MM 150 SER	2
8	FU-46554	FUSE 630mA, 250V,FAST ACTING,	2
9	SP-39372	SPACER, LOCK-IN SUPPRT	8
10	BA-39285	WYE/CAPACITOR	1
11	TT-37680	THERMOSTAT,AUTO RESET,	1
12	TM-39606	TERMINAL, SCREWLESS END	6
13	TM-47182	TERMINAL,4mm,BLACK,4-CONDUCTOR	5
14	TM-39576	TERMINAL, END SECTION, SPRING	5
15	FU-47190	CIRCUIT BREAKER, 30A	2
16	TM-47188	TERMINAL,4mm,BLUE,3-CONDUCTOR	1
17	TM-47181	TERMINAL,10mm,BLUE,3-CONDUCTOR	1
18	TM-46989	JUMPER, TERMINAL BLOCK	4
19	TM-47186	TERMINAL,4mm,GRAY,3-CONDUCTOR	1
20	TM-37726	TERMINAL, 10mm, END	4
21	TM-47500	TERMINAL, GROUND, 16MM, 800V	1
22	TM-47179	TERMINAL,10mm,BLACK,3CONDUCTOR	1
23	TM-47189	TERMINAL,4mm,BLACK,3-CONDUCTOR	1
24	TM-47180	TERMINAL,10mm,GRAY,3-CONDUCTOR	1
25	TM-37660	TERMINAL, 10mm, ORANGE, SPRING	1
26	TM-47187	TERMINAL,4mm,ORNG,3-CONDUCTOR	1
27	WS-22300	WASHER, M4 SPLIT LOCK	2
28	NU-26866	NUT, HEX INSERT M4	2
29	SC-22273	SCREW,M4x0.7X10MM PAN	2
30	WS-22294	WASHER, FLAT M4 18-8 S/S	2
31	FI-39629	FILTER, EMC, 10A, STD	1
32	TN-37722	TRANSFORMER,12V OUT,240V IN,	1
33	SC-37702	SCREW, M4 X 12MM SEMS	4
34	BA-46801	POWER SUPPLY, 12VDC, 100W	1
35	RL-39554	RELAY,SOLID STATE,DUAL,50A	1
36	TM-37674	T BLOCK, RELAY MOUNT	2
37	RE-37725	RELAY, 240V AC	1
38	RE-37704	RELAY, 12VDC	1
39	TM-39585	JUMPER, 2 POLE	1
40	TM-39583	JUMPER, 4 POLE	1
41	TM-39584	JUMPER, 3 POLE	1
42	TM-47638	TERMINAL,4mm,GRAY,4-CONDUCTOR	5
43	TM-39579	TERMINAL,GROUND, 6mm, SPRING	1
44	CR-34639	CONNECTOR, QUICK DISCONNECT	2
45	NU-36319	NUT, M4, KEPS, ZINC PLATED	2
46	SC-37701	SCREW, M4 X 8MM SEMS	2
47	SP-39373	SPACER, M/F HEX STANDOFF 6MM	2
48	TM-34881	TERMINAL, 3.5MM PLUGGABLE, 4 POLE	1
49	TM-37711	TERMINAL, CONNECTION, 2 PIN	1

# Electrical Assembly, VWH2H 200-240V 1Φ CE (Japan only)



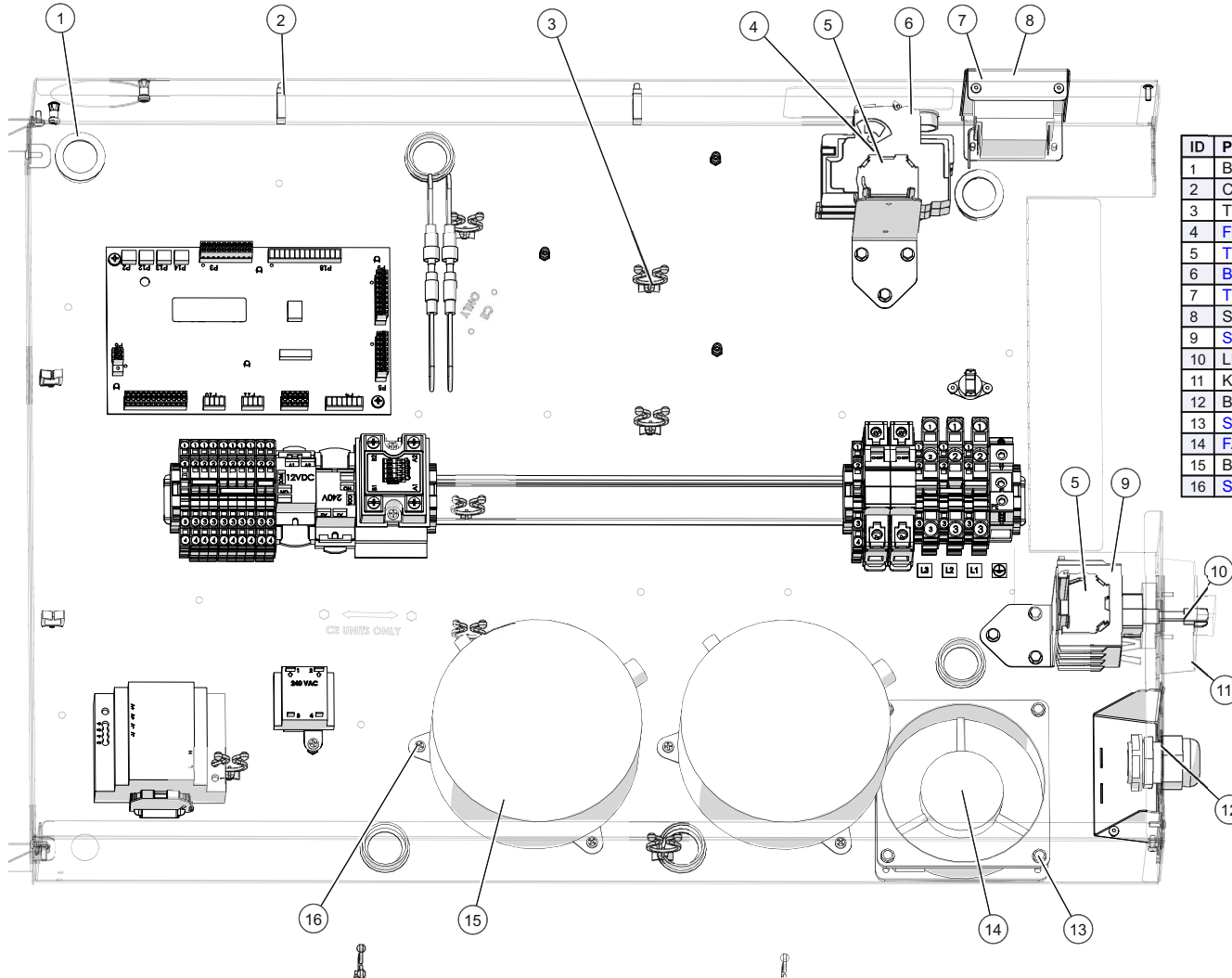
ID	Part No.	Description
1	FU-39058	CIRCUIT BREAKER, 20A
2	1031935	BRACKET, STOP, TOP,
3	<a href="#">BU-3008</a>	3/4" WHITE SNAP BUSHING
4	SC-37701	SCREW, M4 X 8MM SEMS
5	TT-46376	THERMAL CUTOFF, MECHANICAL,
6	BU-37626	1-1/4" SNAP BUSHING
7	TM-39606	TERMINAL, SCREWLESS END
8	<a href="#">SW-37630</a>	POWER SWITCH,DISCONNECT 60A
9	LK-37670	SHAFT,2" DISCONNECT,SWITCH
10	<a href="#">KN-37667</a>	KNOB,POWER,INCLUDED W/SWITCH
11	BU-37678	CORD GRIP, LIQUID TIGHT
12	FA-36957	FAN,230V,MECHATRONICS,HI-TEMP
13	<a href="#">BA-39727</a>	BOARD CONTROLLER, TELCO

# Terminal & Board Details, VWH2H 200-240V 1Φ CE (Japan only)



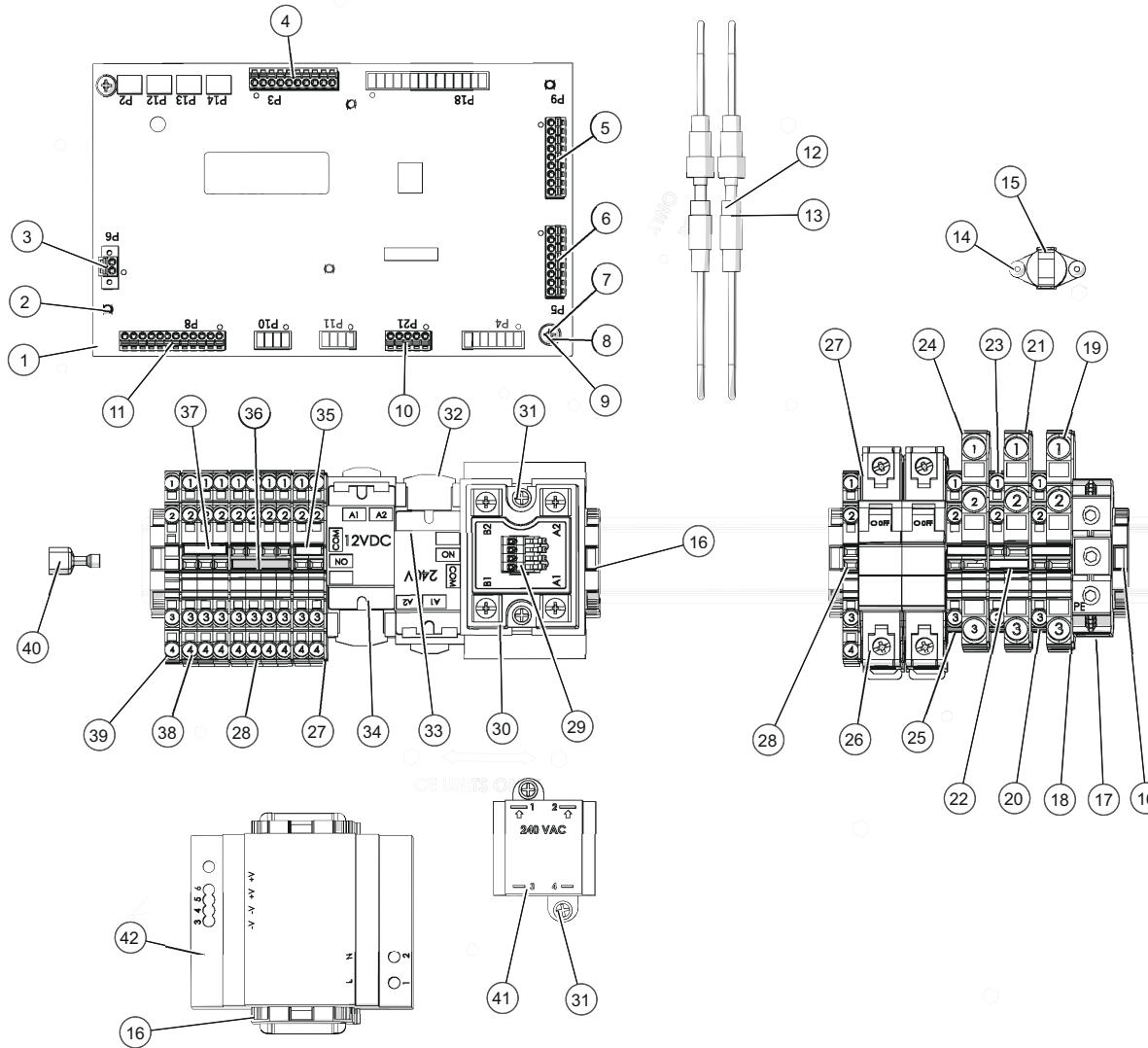
ID	Part No.	Description
1	<a href="#">CC-39528R</a>	BOARD,CONTROL, FOR VMC
2	<a href="#">TM-37717</a>	TERMINAL, CONNECTOR, 10 PIN
3	TM-37713	TERMINAL, CONNECTION, 5 PIN
4	TM-37716	TERMINAL, CONNECTION, 9 PIN
5	TM-37715	TERMINAL, CONNECTION, 8 PIN
6	SP-39373	SPACER, M/F HEX STANDOFF 6MM
7	SC-37701	SCREW, M4 X 8MM SEMS
8	NU-36319	NUT, M4, KEPS, ZINC PLATED
9	<a href="#">TM-37718</a>	TERMINAL, CONNECTOR, 12 PIN
10	<a href="#">FU-46554</a>	FUSE, 630mA, 250V,FAST ACTING,
11	FU-36762	IN-LINE FUSE HOLDER, 5X20MM 150 SER
12	SP-39372	SPACER, LOCK-IN SUPPRT
13	BA-47755	CIRCUIT BOARD, Y-CAP FILTER
14	<a href="#">TT-37680</a>	THERMOSTAT,AUTO RESET,
15	RI-38125	RIVET,SEALED, .125"
16	TM-47180	TERMINAL,10mm,GRAY,3-CONDUCTOR
17	TM-47189	TERMINAL,4mm,BLACK,3-CONDUCTOR
18	TM-46989	JUMPER, TERMINAL BLOCK
19	TM-47500	TERMINAL, GROUND, 16MM, 800V
20	TM-37726	TERMINAL, 10mm, END
21	TM-47179	TERMINAL,10mm,BLACK,3CONDUCTOR
22	TM-47186	TERMINAL,4mm,GRAY,3-CONDUCTOR
23	FU-47190	CIRCUIT BREAKER, 30A
24	TM-47182	TERMINAL,4mm,BLACK,4-CONDUCTOR
25	<a href="#">TM-39576</a>	TERMINAL, END SECTION, SPRING
26	<a href="#">TM-39606</a>	TERMINAL, SCREWLESS END
27	<a href="#">WS-22300</a>	WASHER, M4 SPLIT LOCK
28	<a href="#">SC-22273</a>	SCREW,M4x0.7X10MM PAN
29	FI-39629	FILTER, EMC, 10A, STD
30	WS-22294	WASHER, FLAT M4 18-8 S/S
31	NU-26866	NUT, HEX INSERT M4
32	TN-37722	TRANSFORMER,12V OUT,240V IN,
33	<a href="#">SC-37702</a>	SCREW, M4 X 12MM SEMS
34	RL-39554	RELAY,SOLID STATE,DUAL,50A
35	<a href="#">TM-34881</a>	TERMINAL, 3.5MM PLUGGABLE, 4 POLE
36	RE-37725	RELAY, 240V AC
37	RE-37704	RELAY, 12VDC
38	TM-37674	T BLOCK, RELAY MOUNT
39	TM-39585	JUMPER, 2 POLE
40	TM-39583	JUMPER, 4 POLE
41	TM-39584	JUMPER, 3 POLE
42	<a href="#">CR-34639</a>	CONNECTOR, QUICK DISCONNECT
43	<a href="#">TM-39579</a>	TERMINAL,GROUND, 6mm, SPRING
44	TM-47638	TERMINAL,4mm,GRAY,4-CONDUCTOR
45	TM-37711	TERMINAL, CONNECTION, 2 PIN

# Electrical Assembly, VWH2H 208-240V 3Φ



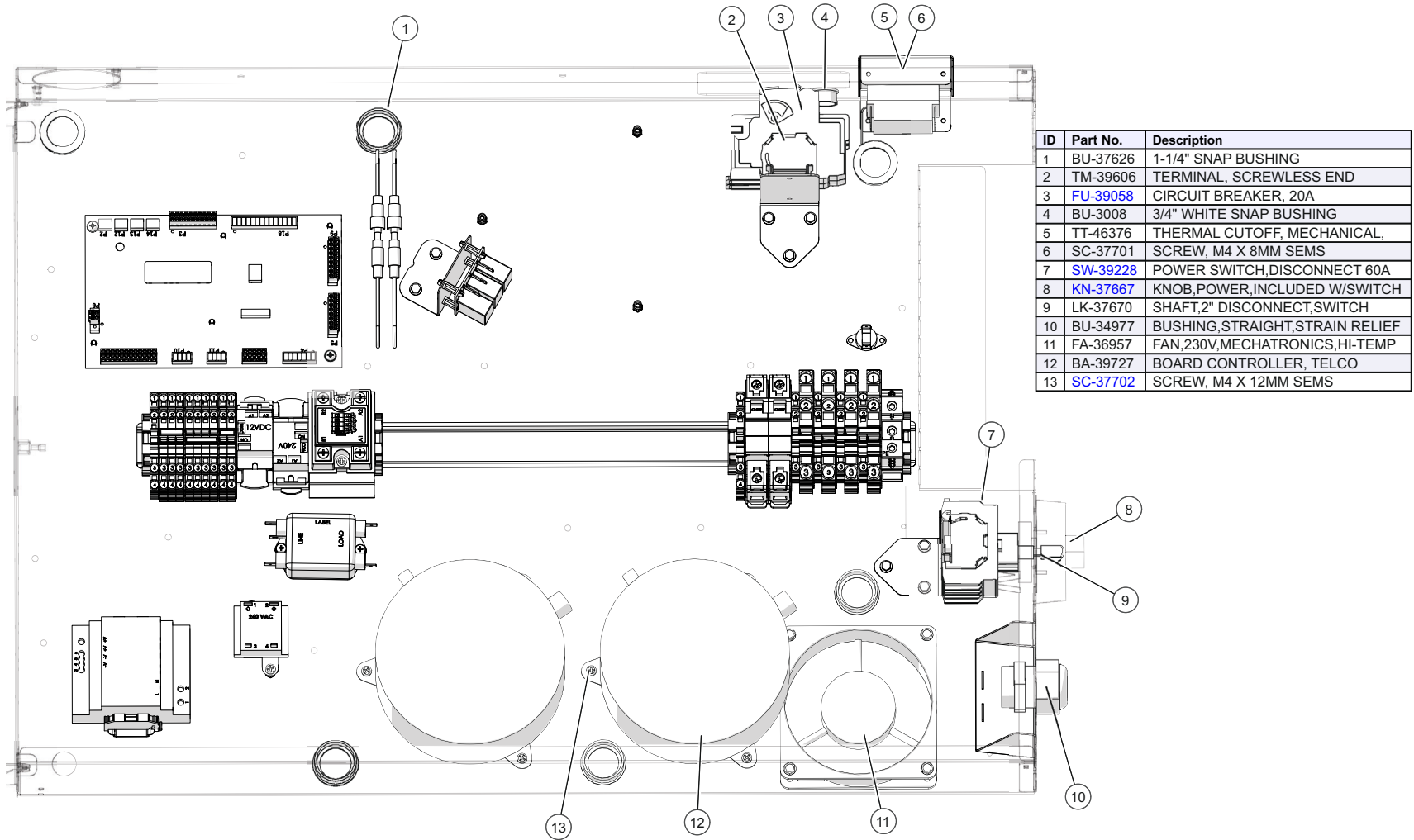
ID	Part No.	Description
1	BU-37626	1-1/4" SNAP BUSHING
2	CL-38422	PUSH IN WIRE RETAINER
3	TI-35719	TIE, TWIST LOCK 0.5" STANDOFF
4	FU-39058	CIRCUIT BREAKER, 20A
5	TM-39606	TERMINAL, SCREWLESS END
6	BU-3008	3/4" WHITE SNAP BUSHING
7	TT-46376	THERMAL CUTOFF, MECHANICAL,
8	SC-37701	SCREW, M4 X 8MM SEMS
9	SW-37630	POWER SWITCH, DISCONNECT 60A
10	LK-37670	SHAFT, 2" DISCONNECT, SWITCH
11	KN-37667	KNOB, POWER, INCLUDED W/SWITCH
12	BU-33505	BUSHING, STRAIN RELIEF, INT,
13	SC-26520	SCREW, #10X1/2" HEX SERR FLG
14	FA-36957	FAN, 230V, MECHATRONICS, HI-TEMP
15	BA-47164	DRIVE, 208/240V TELCO, 1/2 HP
16	SC-37702	SCREW, M4 X 12MM SEMS

# Terminal & Board Details, VWH2H 208-240V 3Φ

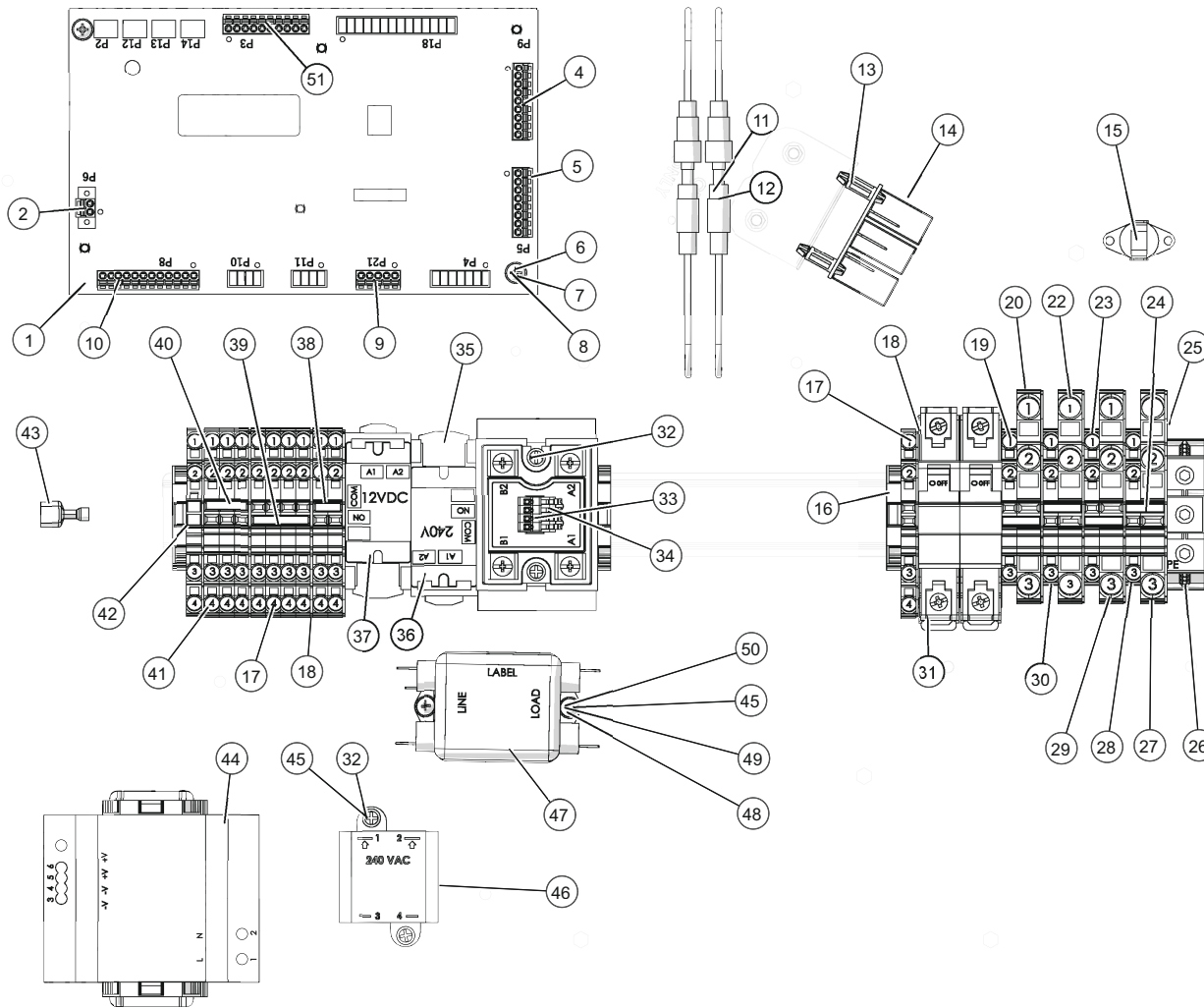


ID	Part No.	Description
1	<a href="#">CC-39528R</a>	BOARD,CONTROL, FOR VMC
2	SP-39372	SPACER, LOCK-IN SUPPRT
3	TM-37711	TERMINAL, CONNECTION, 2 PIN
4	TM-37717	TERMINAL, CONNECTOR, 10 PIN
5	TM-37716	TERMINAL, CONNECTION, 9 PIN
6	TM-37715	TERMINAL, CONNECTION, 8 PIN
7	SP-39373	SPACER, M/F HEX STANDOFF 6MM
8	NU-36319	NUT, M4, KEPS, ZINC PLATED
9	SC-37701	SCREW, M4 X 8MM SEMS
10	TM-37713	TERMINAL, CONNECTION, 5 PIN
11	TM-37718	TERMINAL, CONNECTOR, 12 PIN
12	<a href="#">FU-46554</a>	FUSE, 630mA, 250V,FAST ACTING,
13	<a href="#">FU-36762</a>	IN-LINE FUSE HOLDER, 5X20MM 150 SER
14	RI-38125	RIVET,SEALED, .125"
15	<a href="#">TT-37680</a>	THERMOSTAT,AUTO RESET,
16	TM-39606	TERMINAL, SCREWLESS END
17	TM-47500	TERMINAL, GROUND, 16MM, 800V
18	TM-37726	TERMINAL, 10mm, END
19	TM-47179	TERMINAL,10mm,BLACK,3CONDUCTOR
20	TM-47189	TERMINAL,4mm,BLACK,3-CONDUCTOR
21	TM-47180	TERMINAL,10mm,GRAY,3-CONDUCTOR
22	TM-46989	JUMPER, TERMINAL BLOCK
23	TM-47186	TERMINAL,4mm,GRAY,3-CONDUCTOR
24	TM-37660	TERMINAL, 10mm, ORANGE, SPRING
25	TM-47187	TERMINAL,4mm,ORNG,3-CONDUCTOR
26	FU-47190	CIRCUIT BREAKER, 30A
27	TM-39576	TERMINAL, END SECTION, SPRING
28	TM-47182	TERMINAL,4mm,BLACK,4-CONDUCTOR
29	TM-34881	TERMINAL, 3.5MM PLUGGABLE, 4 POLE
30	RL-39554	RELAY,SOLID STATE,DUAL,50A
31	<a href="#">SC-37702</a>	SCREW, M4 X 12MM SEMS
32	TM-37674	T BLOCK, RELAY MOUNT
33	<a href="#">RE-37725</a>	RELAY, 240V AC
34	<a href="#">RE-37704</a>	RELAY, 12VDC
35	TM-39585	JUMPER, 2 POLE
36	TM-39583	JUMPER, 4 POLE
37	TM-39584	JUMPER, 3 POLE
38	TM-47638	TERMINAL,4mm,GRAY,4-CONDUCTOR
39	TM-39579	TERMINAL,GROUND, 6mm, SPRING
40	<a href="#">CR-34639</a>	CONNECTOR, QUICK DISCONNECT
41	TN-37722	TRANSFORMER,12V OUT,240V IN,
42	<a href="#">BA-46801</a>	POWER SUPPLY, 12VDC, 100W

# Electrical Assembly, VWH2H 208-240V 3Φ CE

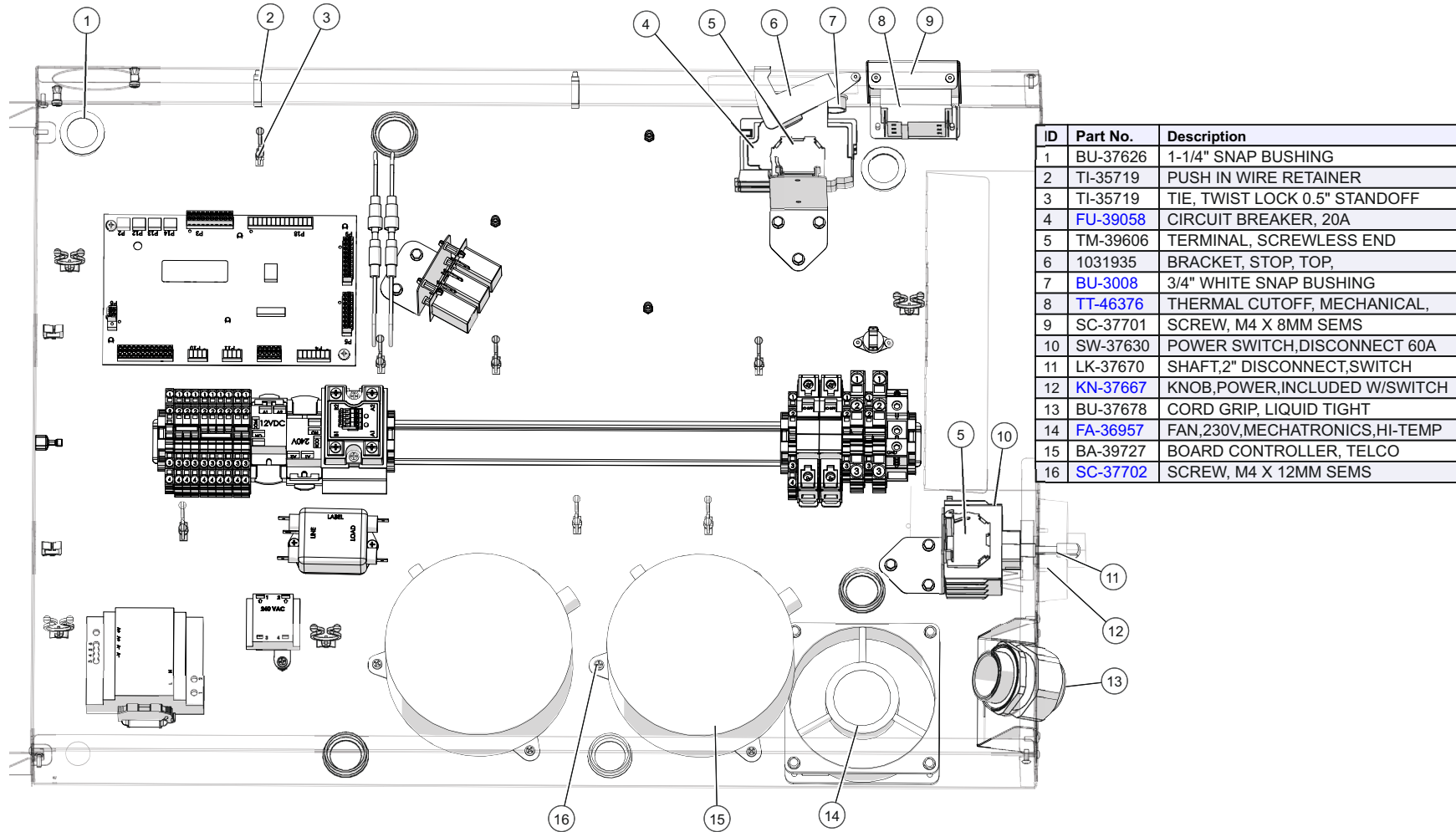


# Terminal & Board Details, VWH2H 208-240V 3Φ CE

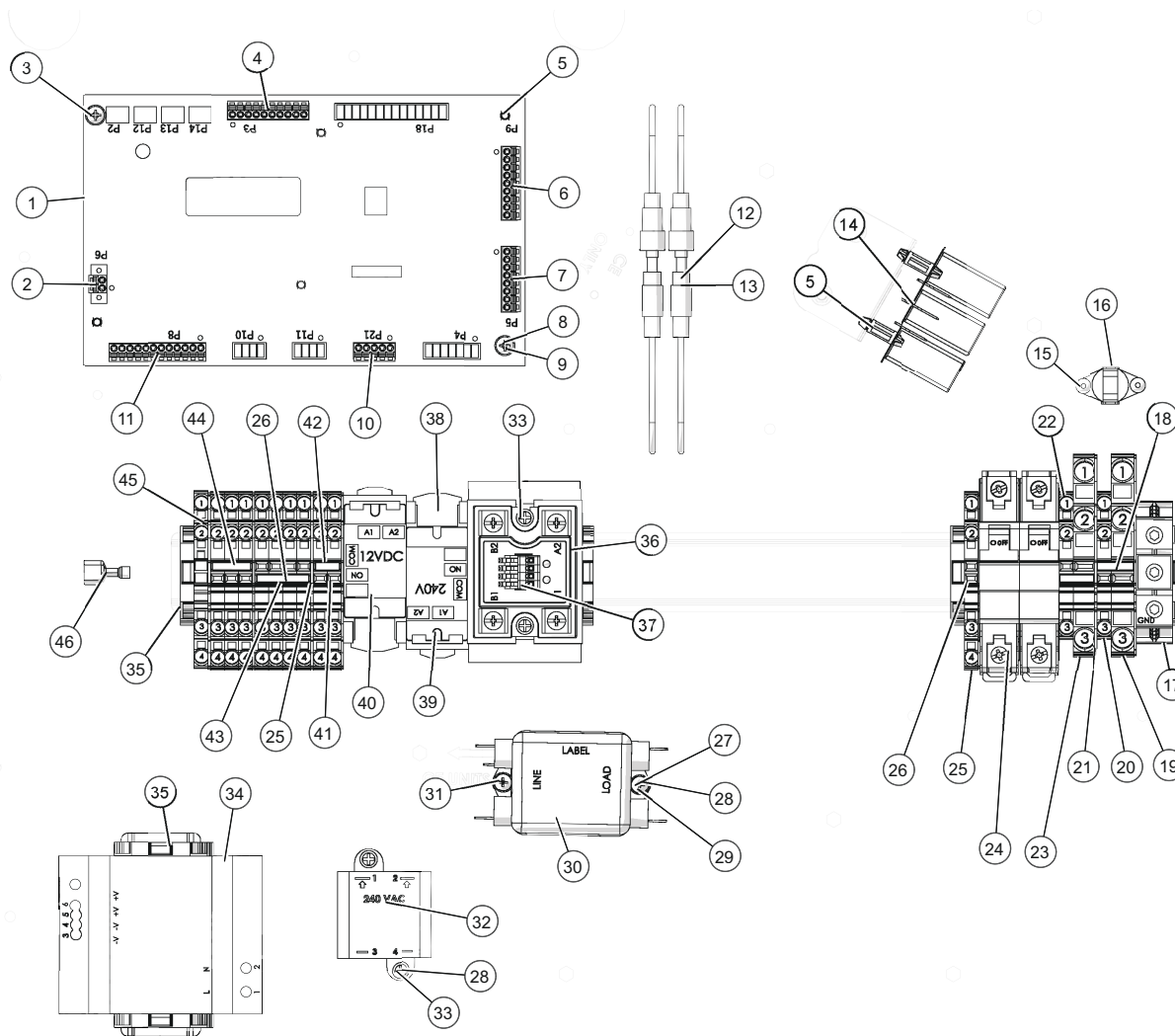


ID	Part No.	Description
1	CC-39528R	BOARD, CONTROL, FOR VMC
2	TM-37711	TERMINAL, CONNECTION, 2 PIN
4	TM-37716	TERMINAL, CONNECTION, 9 PIN
5	TM-37715	TERMINAL, CONNECTION, 8 PIN
6	SP-39373	SPACER, M/F HEX STANDOFF 6MM
7	NU-36319	NUT, M4, KEPS, ZINC PLATED
8	SC-37701	SCREW, M4 X 8MM SEMS
9	TM-37713	TERMINAL, CONNECTION, 5 PIN
10	TM-37718	TERMINAL, CONNECTOR, 12 PIN
11	FU-46554	FUSE, 630mA, 250V, FAST ACTING,
12	FU-36762	IN-LINE FUSE HOLDER, 5X20MM 150 SER
13	SP-39372	SPACER, LOCK-IN SUPPRT
14	BA-39285	WYE/CAPACITOR
15	TT-37680	THERMOSTAT, AUTO RESET,
16	TM-39606	TERMINAL, SCREWLESS END
17	TM-47182	TERMINAL, 4mm, BLACK, 4-CONDUCTOR
18	TM-39576	TERMINAL, END SECTION, SPRING
19	TM-47188	TERMINAL, 4mm, BLUE, 3-CONDUCTOR
20	TM-47181	TERMINAL, 10mm, BLUE, 3-CONDUCTOR
22	TM-37660	TERMINAL, 10mm, ORANGE, SPRING
23	TM-47186	TERMINAL, 4mm, GRAY, 3-CONDUCTOR
24	TM-46989	JUMPER, TERMINAL BLOCK
25	TM-37726	TERMINAL, 10mm, END
26	TM-47500	TERMINAL, GROUND, 16MM, 800V
27	TM-47179	TERMINAL, 10mm, BLACK, 3CONDUCTOR
28	TM-47189	TERMINAL, 4mm, BLACK, 3-CONDUCTOR
29	TM-47180	TERMINAL, 10mm, GRAY, 3-CONDUCTOR
30	TM-47187	TERMINAL, 4mm, ORNG, 3-CONDUCTOR
31	FU-47190	CIRCUIT BREAKER, 30A
32	SC-37702	SCREW, M4 X 12MM SEMS
33	RL-39554	RELAY SOLID STATE DUAL, 50A
34	TM-34881	TERMINAL, 3.5MM PLUGGABLE, 4 POLE
35	TM-37674	T BLOCK, RELAY MOUNT
36	RE-37725	RELAY, 240V AC
37	RE-37704	RELAY, 12VDC
38	TM-39585	JUMPER, 2 POLE
39	TM-39583	JUMPER, 4 POLE
40	TM-39584	JUMPER, 3 POLE
41	TM-47638	TERMINAL, 4mm, GRAY, 4-CONDUCTOR
42	TM-39579	TERMINAL, GROUND, 6mm, SPRING
43	CR-34639	CONNECTOR, QUICK DISCONNECT
44	BA-46801	POWER SUPPLY, 12VDC, 100W
45	NU-26866	NUT, HEX INSERT M4
46	TN-37722	TRANSFORMER, 12V OUT, 240V IN,
47	FI-39629	FILTER, EMC, 10A, STD
48	WS-22294	WASHER, FLAT M4 18-8 S/S
49	SC-22273	SCREW, M4x0.7X10MM PAN
50	WS-22300	WASHER, M4 SPLIT LOCK
51	TM-37717	TERMINAL, CONNECTOR, 10 PIN

## Electrical Assembly, VWH2H 200-240V 3Φ CE (Japan only)

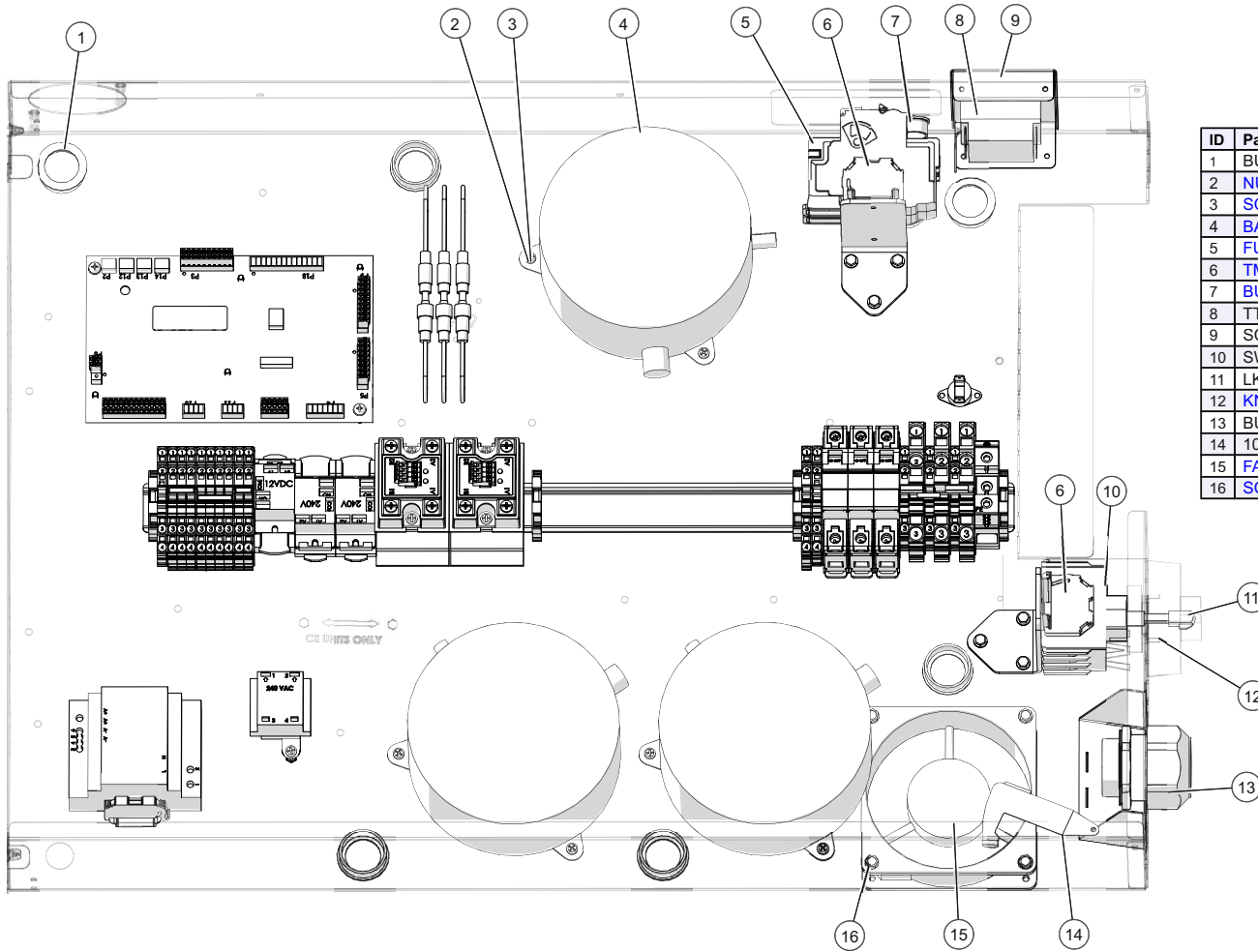


# Terminal & Board Details, VWH2H 200-240V 3Φ CE (Japan only)



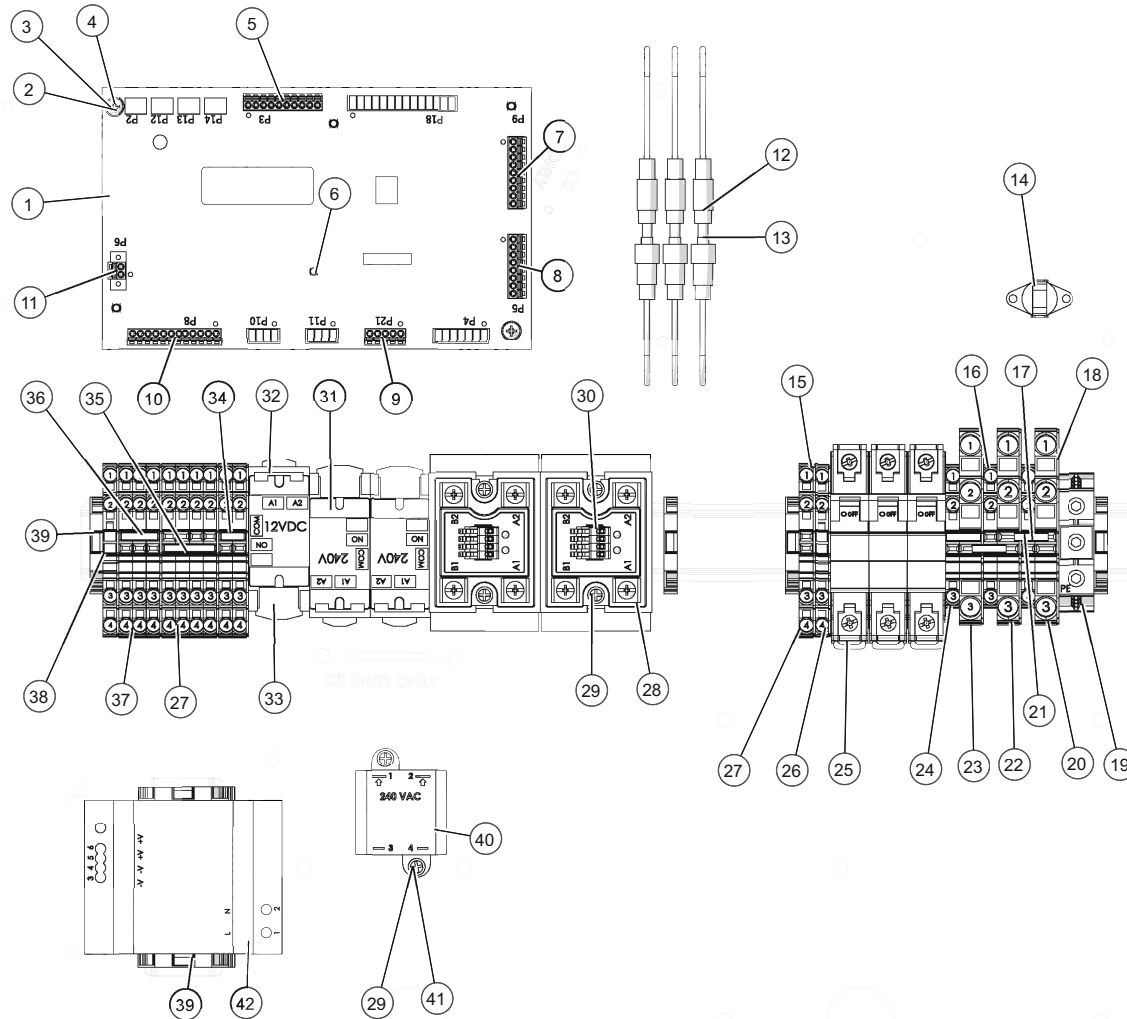
ID	Part No.	Description	Qty
1	CC-39528R	BOARD,CONTROL, FOR VMC	1
2	TM-37711	TERMINAL, CONNECTION, 2 PIN	1
3	SC-37701	SCREW, M4 X 8MM SEMS	2
4	TM-37717	TERMINAL, CONNECTOR, 10 PIN	1
5	SP-39372	SPACER, LOCK-IN SUPPRT	8
6	TM-37716	TERMINAL, CONNECTION, 9 PIN	1
7	TM-37715	TERMINAL, CONNECTION, 8 PIN	1
8	SP-39373	SPACER, M/F HEX STANDOFF 6MM	2
9	NU-36319	NUT, M4, KEPS, ZINC PLATED	2
10	TM-37713	TERMINAL, CONNECTION, 5 PIN	1
11	TM-37718	TERMINAL, CONNECTOR, 12 PIN	1
12	FU-46554	FUSE, 630mA, 250V,FAST ACTING,	2
13	FU-36762	IN-LINE FUSE HOLDER, 5X20MM 150 SER	2
14	BA-47755	CIRCUIT BOARD, Y-CAP FILTER	1
15	RI-38125	RIVET,SEALED, .125"	2
16	TT-37680	THERMOSTAT,AUTO RESET,	1
17	TM-47500	TERMINAL, GROUND, 16MM, 800V	1
18	TM-46989	JUMPER, TERMINAL BLOCK	2
19	TM-47179	TERMINAL, 10mm,BLACK,3CONDUCTOR	1
20	TM-47189	TERMINAL,4mm,BLACK,3-CONDUCTOR	1
21	TM-37726	TERMINAL, 10mm, END	2
22	TM-47186	TERMINAL,4mm,GRAY,3-CONDUCTOR	1
23	TM-47180	TERMINAL,10mm,GRAY,3-CONDUCTOR	1
24	FU-47190	CIRCUIT BREAKER, 30A	1
25	TM-39576	TERMINAL, END SECTION, SPRING	5
26	TM-47182	TERMINAL,4mm,BLACK,4-CONDUCTOR	5
27	SC-22273	SCREW,M4x0.7X10MM PAN	2
28	NU-26866	NUT, HEX INSERT M4	4
29	WS-22294	WASHER, FLAT M4 18-8 S/S	2
30	FI-39629	FILTER, EMC, 10A, STD	1
31	WS-22300	WASHER, M4 SPLIT LOCK	2
32	TN-37722	TRANSFORMER,12V OUT,240V IN,	1
33	SC-37702	SCREW, M4 X 12MM SEMS	4
34	BA-46801	POWER SUPPLY, 12VDC, 100W	1
35	TM-39606	TERMINAL, SCREWLESS END	6
36	RL-39554	RELAY,SOLID STATE,DUAL,50A	1
37	TM-34881	TERMINAL, 3.5MM PLUGGABLE, 4 POLE	1
38	TM-37674	T BLOCK, RELAY MOUNT	2
39	RE-37725	RELAY, 240V AC	1
40	RE-37704	RELAY, 12VDC	1
41	TM-47638	TERMINAL,4mm,GRAY,4-CONDUCTOR	5
42	TM-39585	JUMPER, 2 POLE	1
43	TM-39583	JUMPER, 4 POLE	1
44	TM-39584	JUMPER, 3 POLE	1
45	TM-39579	TERMINAL,GROUND, 6mm, SPRING	1
46	CR-34639	CONNECTOR, QUICK DISCONNECT	2

# Electrical Assembly, VWH3H 208-240V 3Φ



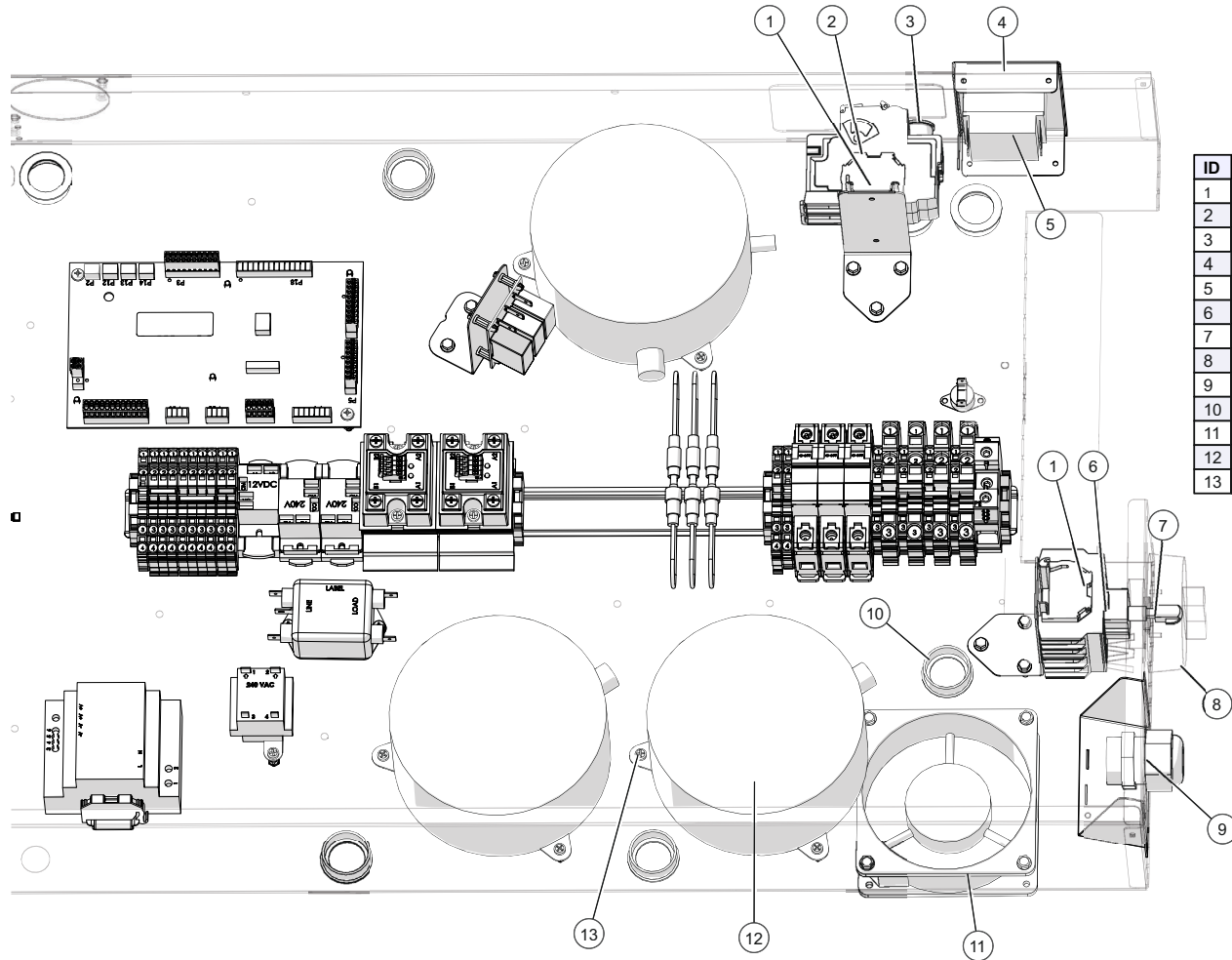
ID	Part No.	Description
1	BU-37626	1-1/4" SNAP BUSHING
2	NU-26866	NUT, HEX INSERT M4
3	SC-37702	SCREW, M4 X 12MM SEMS
4	BA-47164	DRIVE, 208/240V TELCO, 1/2 HP
5	FU-39058	CIRCUIT BREAKER, 20A
6	TM-39606	TERMINAL, SCREWLESS END
7	BU-3008	3/4" WHITE SNAP BUSHING
8	TT-46376	THERMAL CUTOFF, MECHANICAL,
9	SC-37701	SCREW, M4 X 8MM SEMS
10	SW-37630	POWER SWITCH, DISCONNECT 60A
11	LK-37670	SHAFT, 2" DISCONNECT, SWITCH
12	KN-37667	KNOB, POWER, INCLUDED W/SWITCH
13	BU-37678	CORD GRIP, LIQUID TIGHT
14	1028096	STOP, TOP, VOLPI H
15	FA-36957	FAN, 230V, MECHATRONICS, HI-TEMP
16	SC-26520	SCREW, #10X1/2" HEX SERR FLG

# Terminal & Board Details, VWH3H 208-240V 3Φ



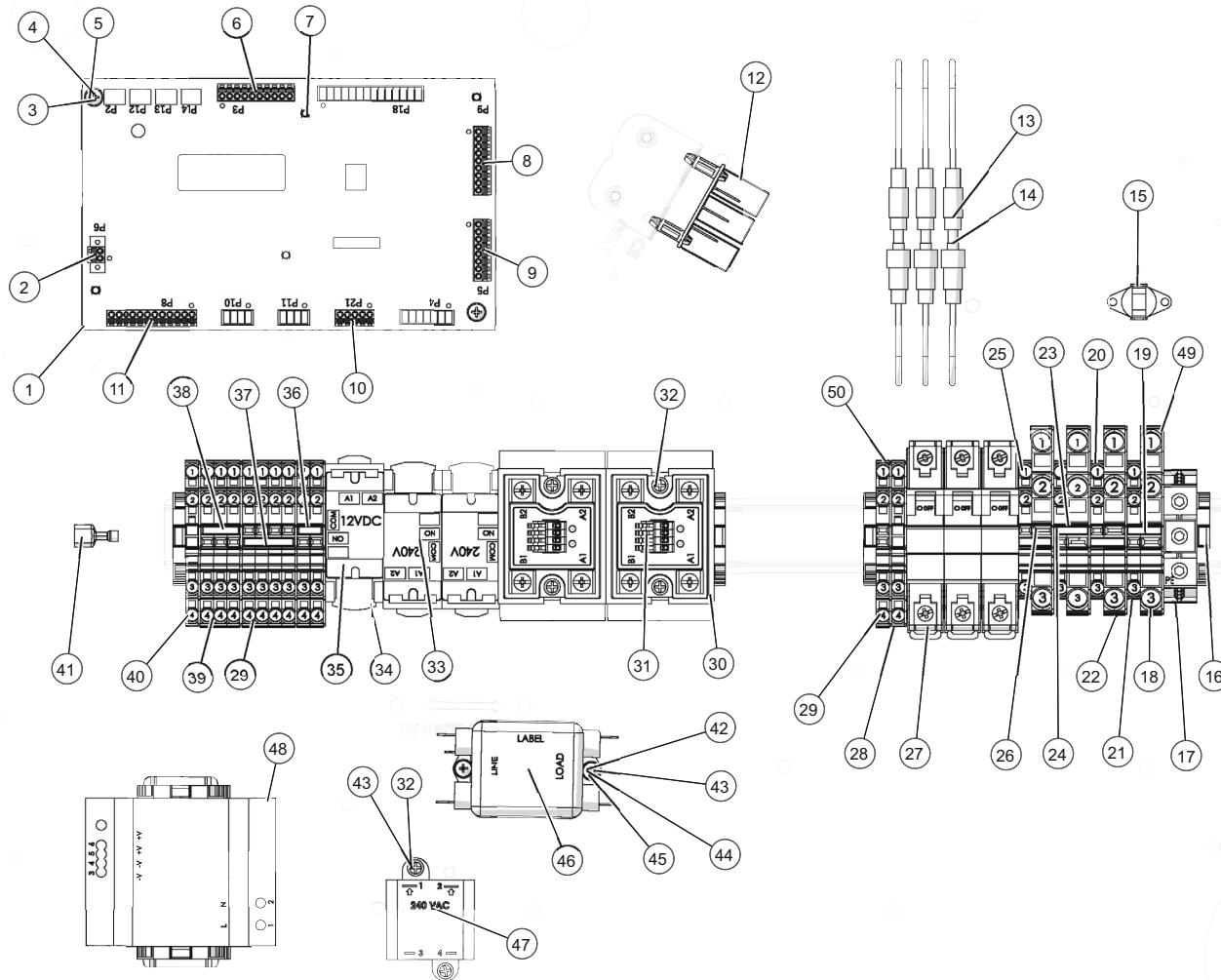
ID	Part No.	Description
1	CC-39528R	BOARD,CONTROL, FOR VMC
2	NU-36319	NUT, M4, KEPS, ZINC PLATED
3	SC-37701	SCREW, M4 X 8MM SEMS
4	SP-39373	SPACER, M/F HEX STANDOFF 6MM
5	TM-37717	TERMINAL, CONNECTOR, 10 PIN
6	SP-39372	SPACER, LOCK-IN SUPPRT
7	TM-37716	TERMINAL, CONNECTION, 9 PIN
8	TM-37715	TERMINAL, CONNECTION, 8 PIN
9	TM-37713	TERMINAL, CONNECTION, 5 PIN
10	TM-37718	TERMINAL, CONNECTOR, 12 PIN
11	TM-37711	TERMINAL, CONNECTION, 2 PIN
12	FU-36762	IN-LINE FUSE HOLDER, 5X20MM 150 SERIES
13	FU-46554	FUSE, 630mA, 250V,FAST ACTING,
14	TT-37680	THERMOSTAT,AUTO RESET,
15	TM-39576	TERMINAL, END SECTION, SPRING
16	TM-47186	TERMINAL,4mm,GRAY,3-CONDUCTOR
17	TM-46989	JUMPER, TERMINAL BLOCK
18	TM-37726	TERMINAL, 10mm, END
19	TM-47500	TERMINAL, GROUND, 16MM, 800V
20	TM-47179	TERMINAL,10mm,BLACK,3CONDUCTOR
21	TM-47189	TERMINAL,4mm,BLACK,3-CONDUCTOR
22	TM-47180	TERMINAL,10mm,GRAY,3-CONDUCTOR
23	TM-37660	TERMINAL, 10mm, ORANGE, SPRING
24	TM-47187	TERMINAL,4mm,ORNG,3-CONDUCTOR
25	FU-47190	CIRCUIT BREAKER, 30A
26	TM-39574	TERMINAL, 6mm, ORANGE, SPRING
27	TM-47182	TERMINAL,4mm,BLACK,4-CONDUCTOR
28	RL-39554	RELAY,SOLID STATE,DUAL,50A
29	SC-37702	SCREW, M4 X 12MM SEMS
30	TM-34881	TERMINAL, 3.5MM PLUGGABLE, 4 POLE
31	RE-37725	RELAY, 240V AC
32	RE-37704	RELAY, 12VDC
33	TM-37674	T BLOCK, RELAY MOUNT
34	TM-39585	JUMPER, 2 POLE
35	TM-39583	JUMPER, 4 POLE
36	TM-39584	JUMPER, 3 POLE
37	TM-47638	TERMINAL,4mm,GRAY,4-CONDUCTOR
38	TM-39579	TERMINAL,GROUND, 6mm, SPRING
39	TM-39606	TERMINAL, SCREWLESS END
40	TN-37722	TRANSFORMER,12V OUT,240V IN,
41	NU-26866	NUT, HEX INSERT M4
42	BA-46801	POWER SUPPLY, 12VDC, 100W

# Electrical Assembly, VWH3H 208-240V 3Φ CE



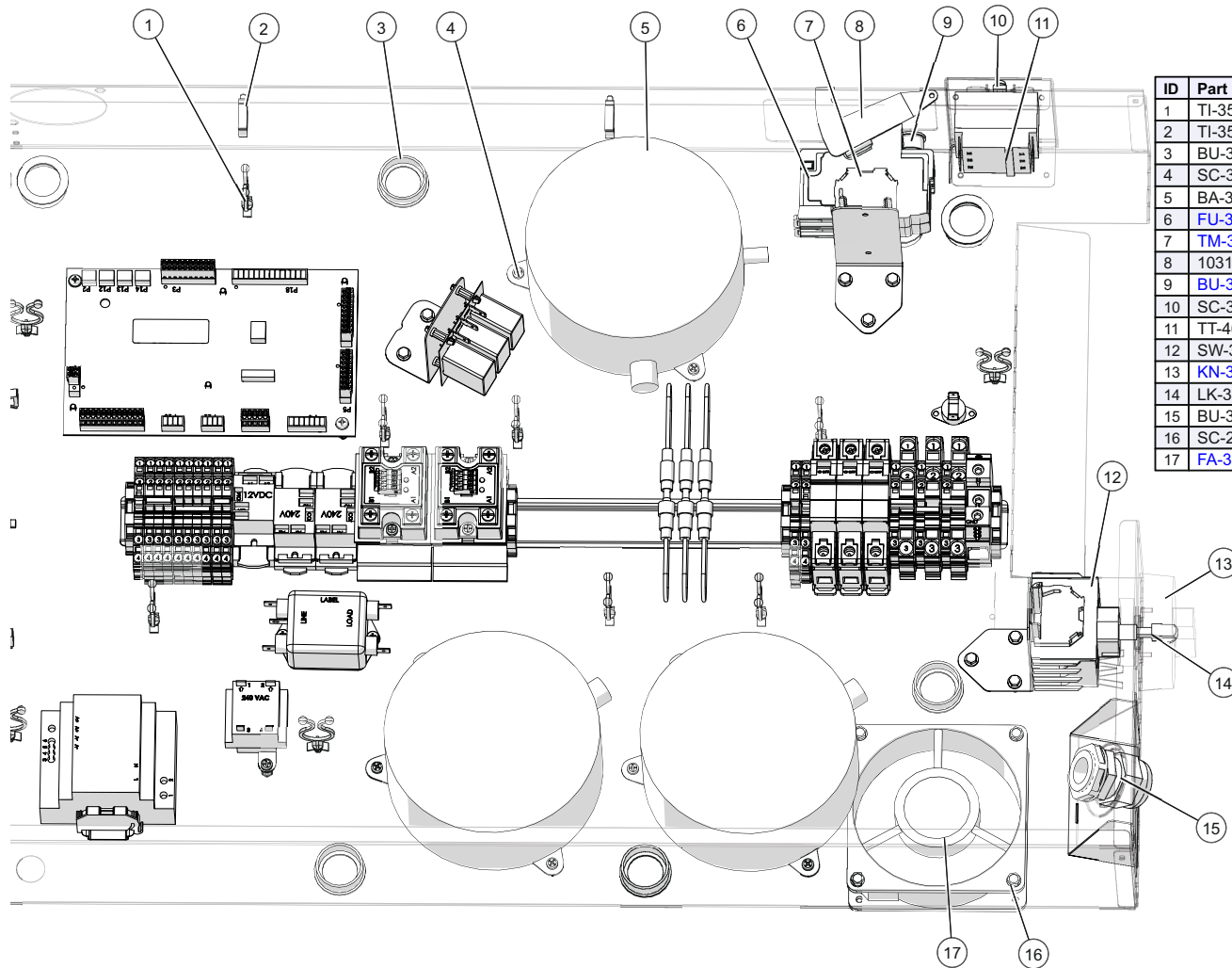
ID	Part No.	Description
1	<a href="#">TM-39606</a>	TERMINAL, SCREWLESS END
2	<a href="#">FU-39058</a>	CIRCUIT BREAKER, 20A
3	<a href="#">BU-3008</a>	3/4" WHITE SNAP BUSHING
4	<a href="#">SC-37701</a>	SCREW, M4 X 8MM SEMS
5	<a href="#">TT-46376</a>	THERMAL CUTOFF, MECHANICAL,
6	<a href="#">SW-39228</a>	POWER SWITCH,DISCONNECT 60A
7	<a href="#">LK-37670</a>	SHAFT,2" DISCONNECT,SWITCH
8	<a href="#">KN-37667</a>	KNOB,POWER,INCLUDED W/SWITCH
9	<a href="#">BU-34977</a>	BUSHING,STRAIGHT,STRAIN RELIEF
10	<a href="#">BU-37626</a>	1-1/4" SNAP BUSHING
11	<a href="#">FA-36957</a>	FAN,230V,MECHATRONICS,HI-TEMP
12	<a href="#">BA-39727</a>	BOARD CONTROLLER, TELCO
13	<a href="#">SC-37702</a>	SCREW, M4 X 12MM SEMS

# Terminal & Board Details, VWH3H 208-240V 3Φ CE



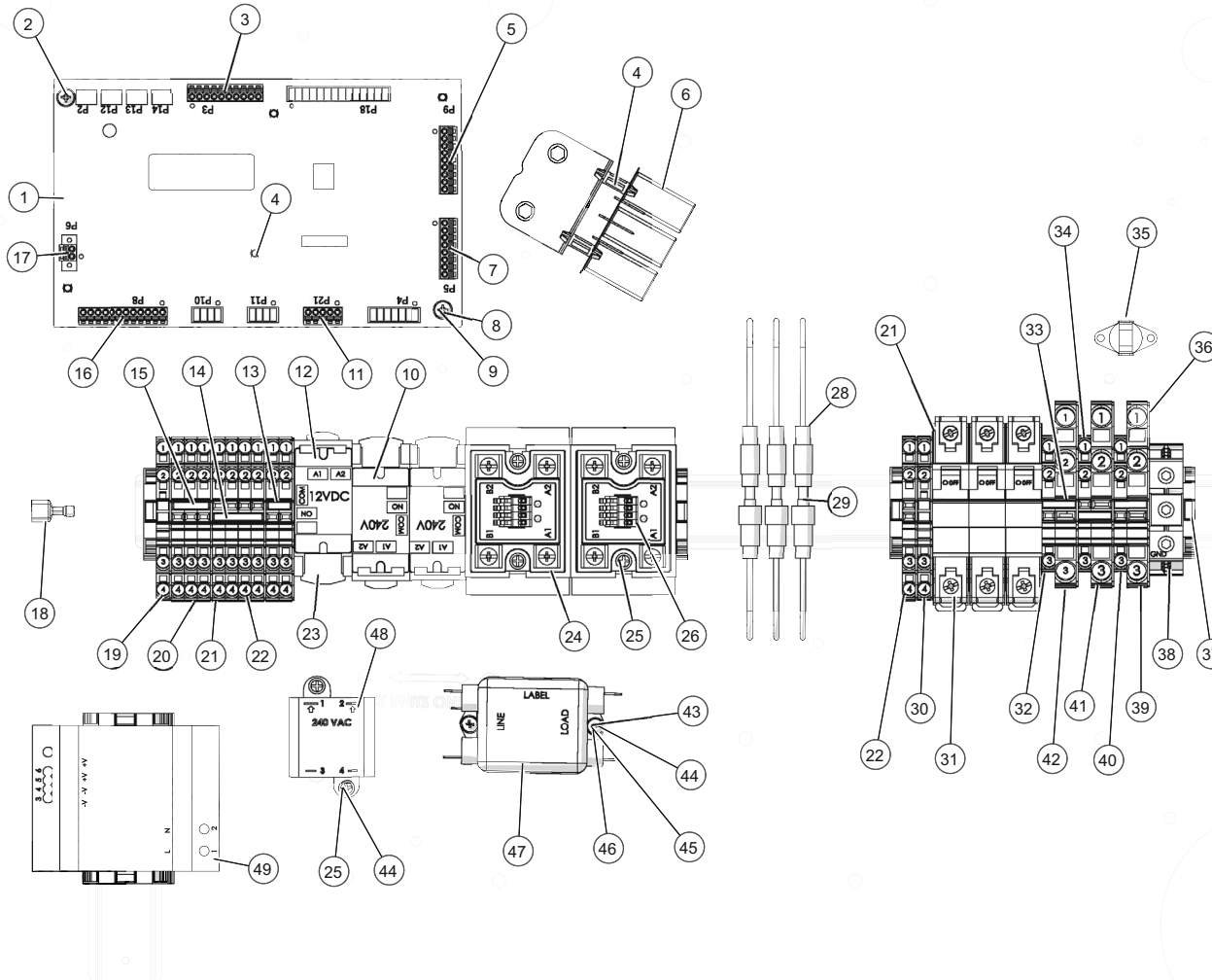
ID	Part No.	Description
1	CC-39528R	BOARD, CONTROL, FOR VMC
2	TM-37711	TERMINAL, CONNECTION, 2 PIN
3	NU-36319	NUT, M4, KEPS, ZINC PLATED
4	SP-39373	SPACER, M/F HEX STANDOFF 6MM
5	SC-37701	SCREW, M4 X 8MM SEMS
6	TM-37717	TERMINAL, CONNECTOR, 10 PIN
7	SP-39372	SPACER, LOCK-IN SUPPRT
8	TM-37716	TERMINAL, CONNECTION, 9 PIN
9	TM-37715	TERMINAL, CONNECTION, 8 PIN
10	TM-37713	TERMINAL, CONNECTION, 5 PIN
11	TM-37718	TERMINAL, CONNECTOR, 12 PIN
12	BA-39285	WYE/CAPACITOR
13	FU-36762	IN-LINE FUSE HOLDER, 5X20MM 150 SER
14	FU-46554	FUSE, 630mA, 250V,FAST ACTING,
15	TT-37680	THERMOSTAT,AUTO RESET,
16	TM-39606	TERMINAL, SCREWLESS END
17	TM-47500	TERMINAL, GROUND, 16MM, 800V
18	TM-47179	TERMINAL, 10mm,BLACK,3CONDUCTOR
19	TM-46989	JUMPER, TERMINAL BLOCK
20	TM-47186	TERMINAL, 4mm,GRAY,3-CONDUCTOR
21	TM-47189	TERMINAL, 4mm,BLACK,3-CONDUCTOR
22	TM-47180	TERMINAL, 10mm,GRAY,3-CONDUCTOR
23	TM-37660	TERMINAL, 10mm, ORANGE, SPRING
24	TM-47187	TERMINAL, 4mm, ORNG, 3-CONDUCTOR
25	TM-47188	TERMINAL, 4mm, BLUE, 3-CONDUCTOR
26	TM-47181	TERMINAL, 10mm, BLUE, 3-CONDUCTOR
27	FU-47190	CIRCUIT BREAKER, 30A
28	TM-39574	TERMINAL, 6mm, ORANGE, SPRING
29	TM-47182	TERMINAL, 4mm, BLACK, 4-CONDUCTOR
30	RL-39554	RELAY, SOLID STATE, DUAL, 50A
31	TM-34881	TERMINAL, 3.5MM PLUGGABLE, 4 POLE
32	SC-37702	SCREW, M4 X 12MM SEMS
33	RE-37725	RELAY, 240V AC
34	TM-37674	T BLOCK, RELAY MOUNT
35	RE-37704	RELAY, 12VDC
36	TM-39585	JUMPER, 2 POLE
37	TM-39583	JUMPER, 4 POLE
38	TM-39584	JUMPER, 3 POLE
39	TM-47638	TERMINAL, 4mm, GRAY, 4-CONDUCTOR
40	TM-39579	TERMINAL, GROUND, 6mm, SPRING
41	CR-34639	CONNECTOR, QUICK DISCONNECT
42	WS-22300	WASHER, M4 SPLIT LOCK
43	NU-26866	NUT, HEX INSERT M4
44	SC-22273	SCREW, M4x0.7X10MM PAN
45	WS-22294	WASHER, FLAT M4 18-8 S/S
46	FI-39629	FILTER, EMC, 10A, STD
47	TN-37722	TRANSFORMER, 12V OUT, 240V IN,
48	BA-46801	POWER SUPPLY, 12VDC, 100W
49	TM-37726	TERMINAL, 10mm, END
50	TM-39576	TERMINAL, END SECTION, SPRING

# Electrical Assembly, VWH3H 208-240V 3Φ CE (Japan only)



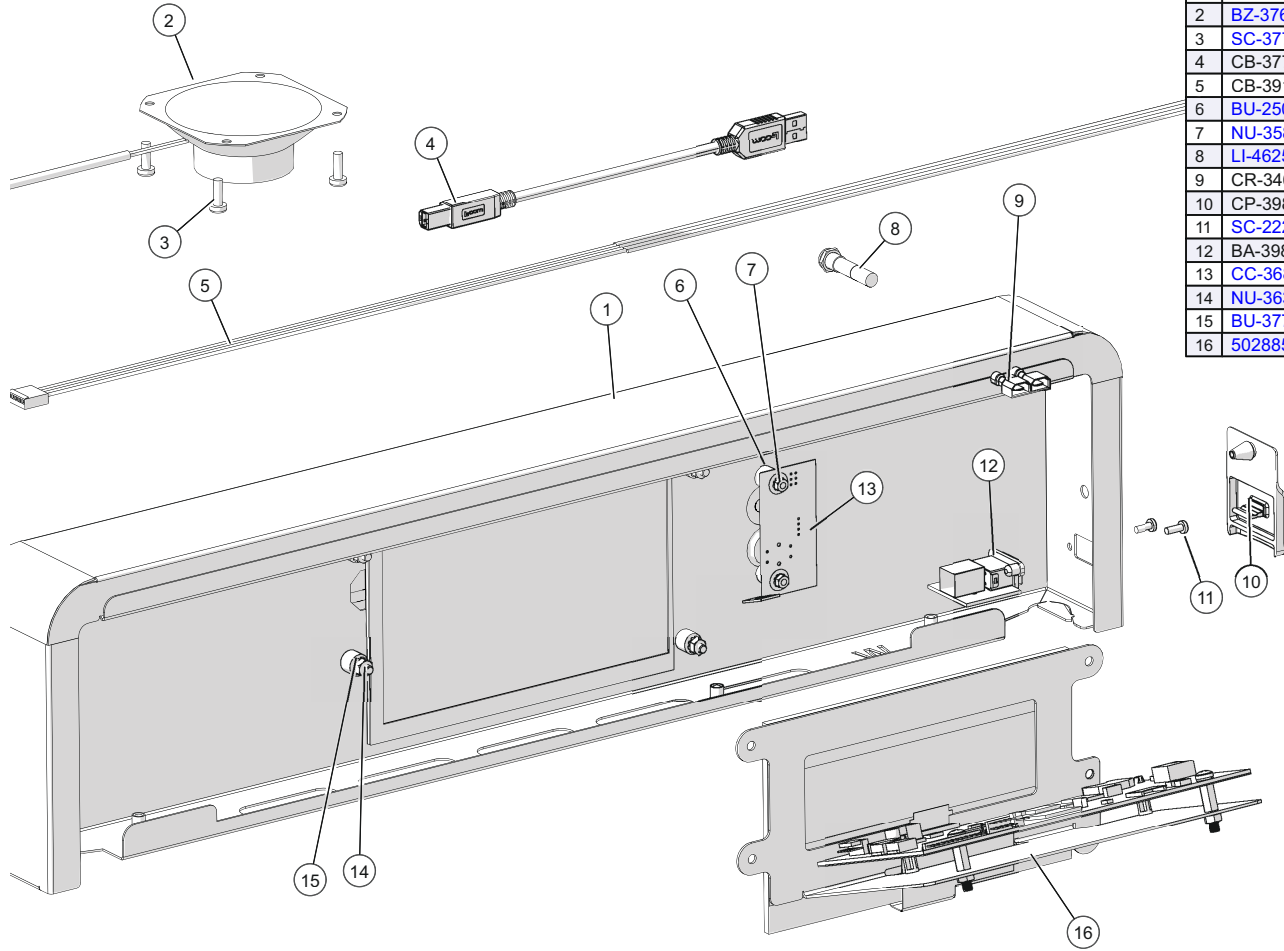
ID	Part No.	Description	Qty
1	TI-35719	TIE, TWIST LOCK 0.5" STANDOFF	11
2	TI-35719	PUSH IN WIRE RETAINER	4
3	BU-37626	1-1/4" SNAP BUSHING	7
4	SC-37702	SCREW, M4 X 12MM SEMS	15
5	BA-39727	BOARD CONTROLLER, TELCO	3
6	<a href="#">FU-39058</a>	CIRCUIT BREAKER, 20A	2
7	<a href="#">TM-39606</a>	TERMINAL, SCREWLESS END	2
8	1031935	BRACKET, STOP, TOP,	1
9	<a href="#">BU-3008</a>	3/4" WHITE SNAP BUSHING	1
10	SC-37701	SCREW, M4 X 8MM SEMS	4
11	TT-46376	THERMAL CUTOFF, MECHANICAL,	1
12	SW-37630	POWER SWITCH,DISCONNECT 60A	1
13	<a href="#">KN-37667</a>	KNOB,POWER,INCLUDED W/SWITCH	1
14	LK-37670	SHAFT,2" DISCONNECT,SWITCH	1
15	BU-33505	BUSHING,STRAIN RELIEF,INT,	1
16	SC-26520	SCREW, #10X1/2" HEX SERR FLG	4
17	<a href="#">FA-36957</a>	FAN,230V,MECHATRONICS,HI-TEMP	1

# Terminal & Board Details, VWH3H 208-240V 3Φ CE (Japan only)



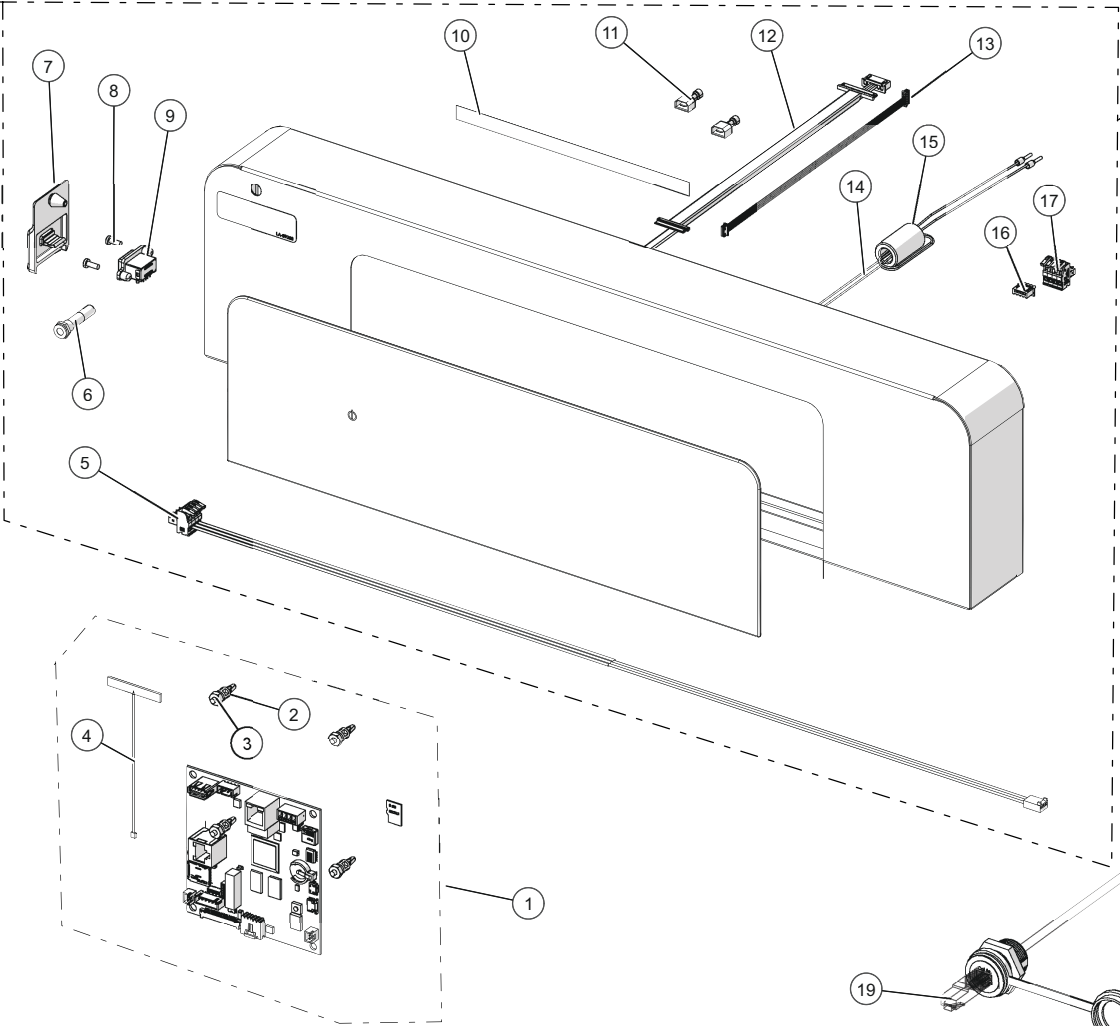
ID	Part No.	Description	Qty
1	CC-39528R	BOARD, CONTROL, FOR VMC	1
2	SP-39373	SPACER, MF HEX STANDOFF 6MM	2
3	TM-37717	TERMINAL, CONNECTOR, 10 PIN	1
4	SP-39372	SPACER, LOCK-IN SUPPRT	8
5	TM-37716	TERMINAL, CONNECTION, 9 PIN	1
6	BA-47755	CIRCUIT BOARD, Y-CAP FILTER	1
7	TM-37715	TERMINAL, CONNECTION, 8 PIN	1
8	NU-36319	NUT, M4, KEPS, ZINC PLATED	2
9	SC-37701	SCREW, M4 X 8MM SEMS	2
10	RE-37725	RELAY, 240V AC	2
11	TM-37713	TERMINAL, CONNECTION, 5 PIN	1
12	RE-37704	RELAY, 12VDC	1
13	TM-39585	JUMPER, 2 POLE	1
14	TM-39583	JUMPER, 4 POLE	1
15	TM-39584	JUMPER, 3 POLE	1
16	TM-37718	TERMINAL, CONNECTOR, 12 PIN	1
17	TM-37711	TERMINAL, CONNECTION, 2 PIN	1
18	CR-34639	CONNECTOR, QUICK DISCONNECT	1
19	TM-39579	TERMINAL, GROUND, 6mm, SPRING	1
20	TM-47638	TERMINAL, 4mm, GRAY, 4-CONDUCTOR	5
21	TM-39576	TERMINAL, END SECTION, SPRING	6
22	TM-47182	TERMINAL, 4mm, BLACK, 4-CONDUCTOR	5
23	TM-37674	T BLOCK, RELAY MOUNT	3
24	RL-39554	RELAY, SOLID STATE, DUAL 50A	2
25	SC-37702	SCREW, M4 X 12MM SEMS	6
26	TM-34881	TERMINAL, 3.5MM PLUGGABLE, 4 POLE	2
28	FU-36762	IN-LINE FUSE HOLDER, 5X20MM 150 SER	3
29	FU-46554	FUSE, 630mA, 250V, FAST ACTING	3
30	TM-39574	TERMINAL, 6mm, ORANGE, SPRING	1
31	FU-47190	CIRCUIT BREAKER, 30A	3
32	TM-47187	TERMINAL, 4mm, ORNG, 3-CONDUCTOR	1
33	TM-46989	JUMPER, TERMINAL BLOCK	3
34	TM-47186	TERMINAL, 4mm, GRAY, 3-CONDUCTOR	1
35	TT-37680	THERMOSTAT, AUTO RESET	1
36	TM-37726	TERMINAL, 10mm, END	3
37	TM-39606	TERMINAL, SCREWLESS END	5
38	TM-47500	TERMINAL, GROUND, 16MM, 800V	1
39	TM-47179	TERMINAL, 10mm, BLACK, 3-CONDUCTOR	1
40	TM-47189	TERMINAL, 4mm, BLACK, 3-CONDUCTOR	1
41	TM-47180	TERMINAL, 10mm, GRAY, 3-CONDUCTOR	1
42	TM-37660	TERMINAL, 10mm, ORANGE, SPRING	1
43	WS-22300	WASHER, M4 SPLIT LOCK	2
44	NU-26866	NUT, HEX INSERT M4	4
45	SC-22273	SCREW, M4x0.7X10MM PAN	2
46	WS-22294	WASHER, FLAT M4 18-8 S/S	2
47	FI-39629	FILTER, EMC, 10A, STD	1
48	TN-37722	TRANSFORMER, 12V OUT, 240V IN	1
49	BA-46801	POWER SUPPLY, 12VDC, 100W	1

# Control Panel Assembly, Simple



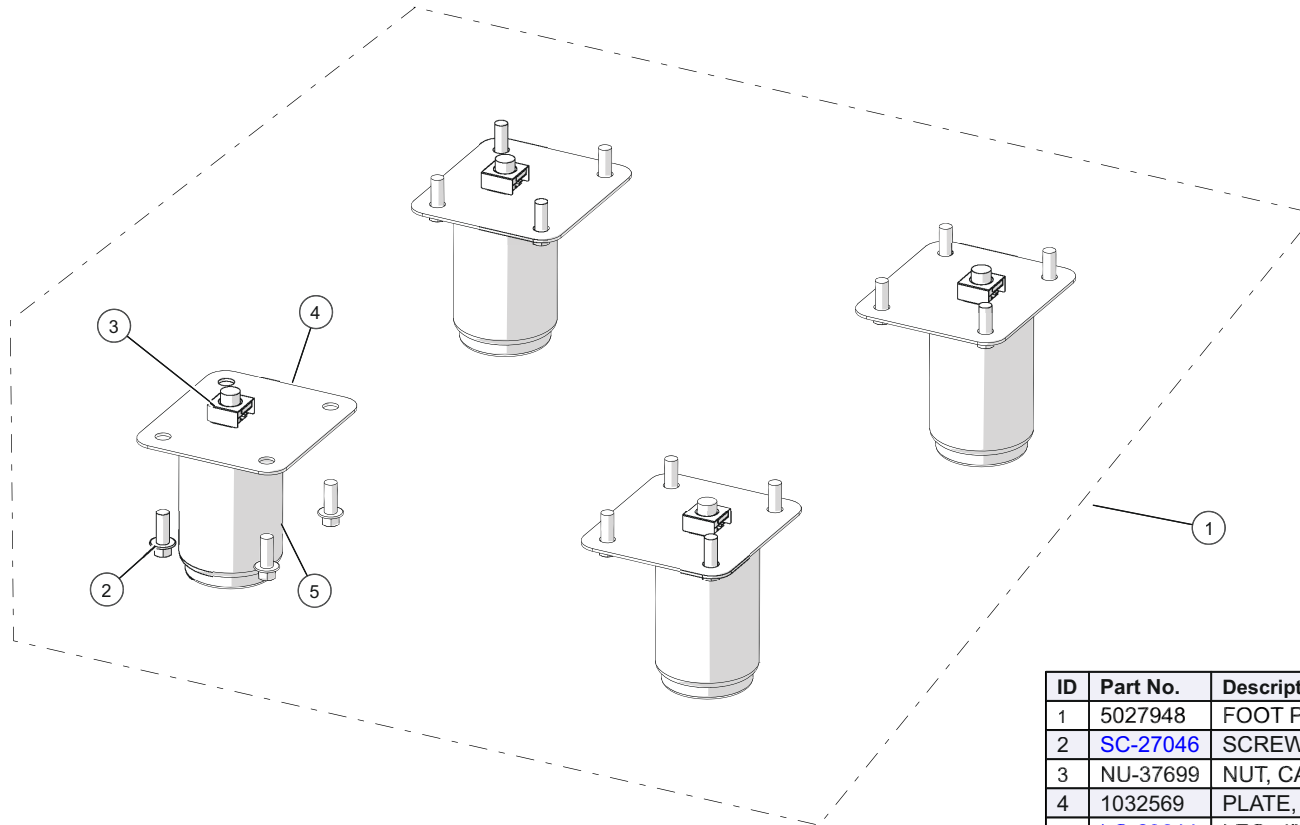
ID	Part No.	Description
1	5032760	SVC KIT, REPLACEMENT TOUCH PANEL, SX
2	BZ-37655	BUZZER, SPEAKER, W/LEADS
3	SC-37702	SCREW, M4 X 12MM SEMS
4	CB-37723	USB CABLE
5	CB-39169	CABLE, USER INTERFACE
6	BU-25094	BUSHING, *CT,ML,BRASS,DISTANCE
7	NU-35846	NUT, KEPS, M3X0.5, SS
8	LI-46257	LIGHT, INDICATOR, 220V, AMBER
9	CR-34639	CONNECTOR, QUICK DISCONNECT
10	CP-39848	CAP,USB
11	SC-22268	SCREW,M3x0.5X8MM PAN
12	BA-39847	BOARD,USB RECEPTACLE
13	CC-36871	BOARD, ON/OFF, ONE BUTTON
14	NU-36319	NUT, M4, KEPS, ZINC PLATED
15	BU-37710	BUSHING, BRASS, .280X .394
16	5028850R	SERVICE KIT, LCD IB COMBO

# Control Panel Assembly, Deluxe



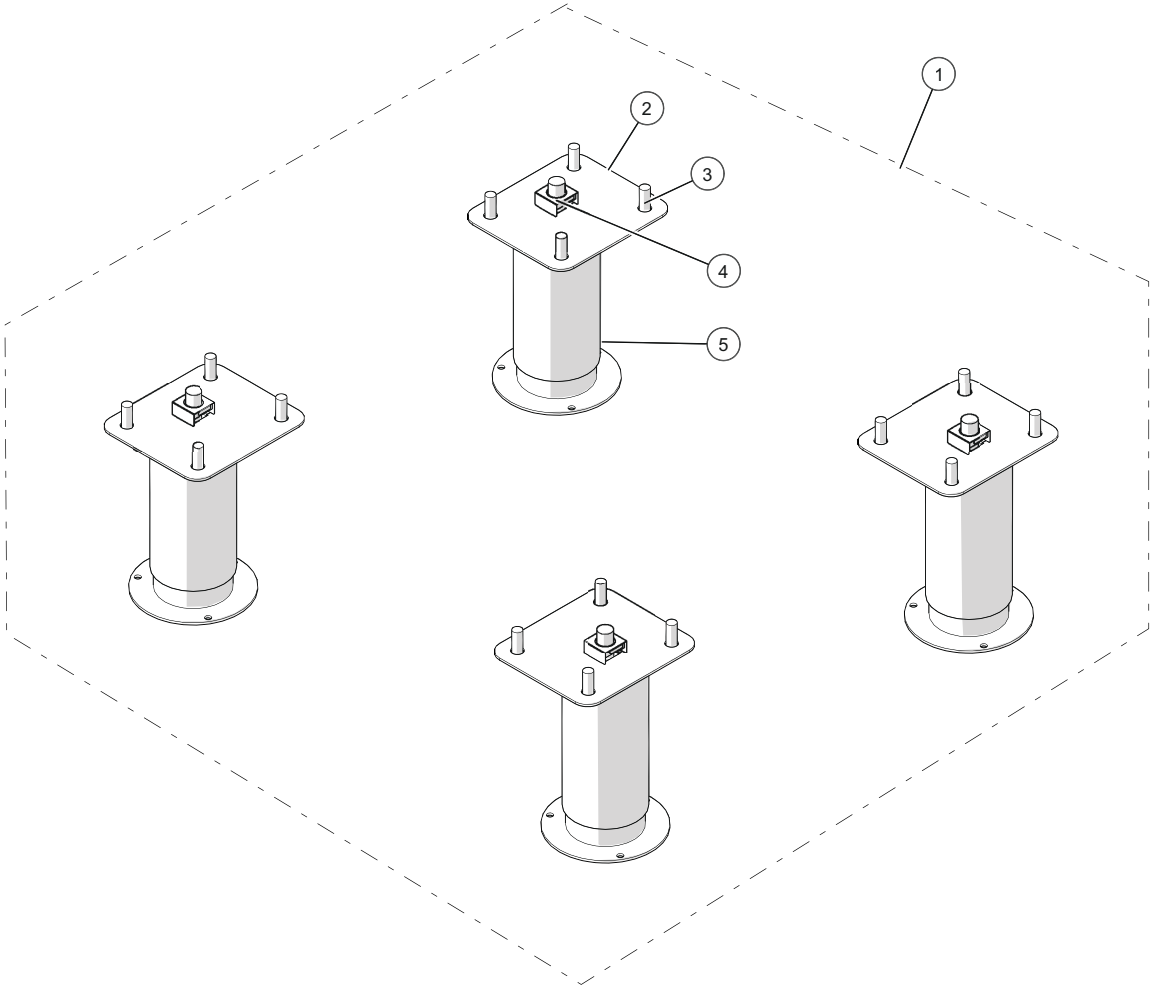
ID	Part No.	Description
1	5028178	KIT,SERVICE IB/WIFI ANTENNA
2	SP-33902	SPACER, 1/4", CIRCUIT BRD
3	NU-39735	NUT,HEX,6-32,NYLON
4	CC-46559	ANTENNA, WIFI CONTROL
5	CB-39703	CABLE, USER INTERFACE TO CB
6	LI-46257	LIGHT, INDICATOR, 220V, AMBER
7	CP-39848	CAP,USB
8	SC-22268	SCREW,M3x0.5X8MM PAN
9	BA-39847	BOARD,USB RECEPTACLE
10	TA-46558	TAPE,SHIELDING,COND., 7" LONG
11	CR-34639	CONNECTOR, QUICK DISCONNECT
12	CB-46664	CABLE, LVDS & BL, AMPIRE
13	CB-39912	CABLE,PCAP
14	5026359	WIRE ASSY,PWR,BOUNDARY BOARD
15	FI-46736	FILTER,FERRITE CORE, ROUND
16	CB-34917	CABLE,ON-OFF/BOARD,TOUCH
17	TM-34881	TERMINAL, 3.5MM PLUGGABLE, 4 POLE
18	5032759R	SERVICE KIT, DX CONTROL, NO IB
19	5030518	KIT, ETHERNET ACCESSORY
20	BZ-39711	BUZZER, SPEAKER, W/24" CABLE
21	SC-37702	SCREW, M4 X 12MM SEMS
22	CB-46764	CABLE, ETHERNET, 2M 8P8C (not shown)

# Foot Plate Assembly



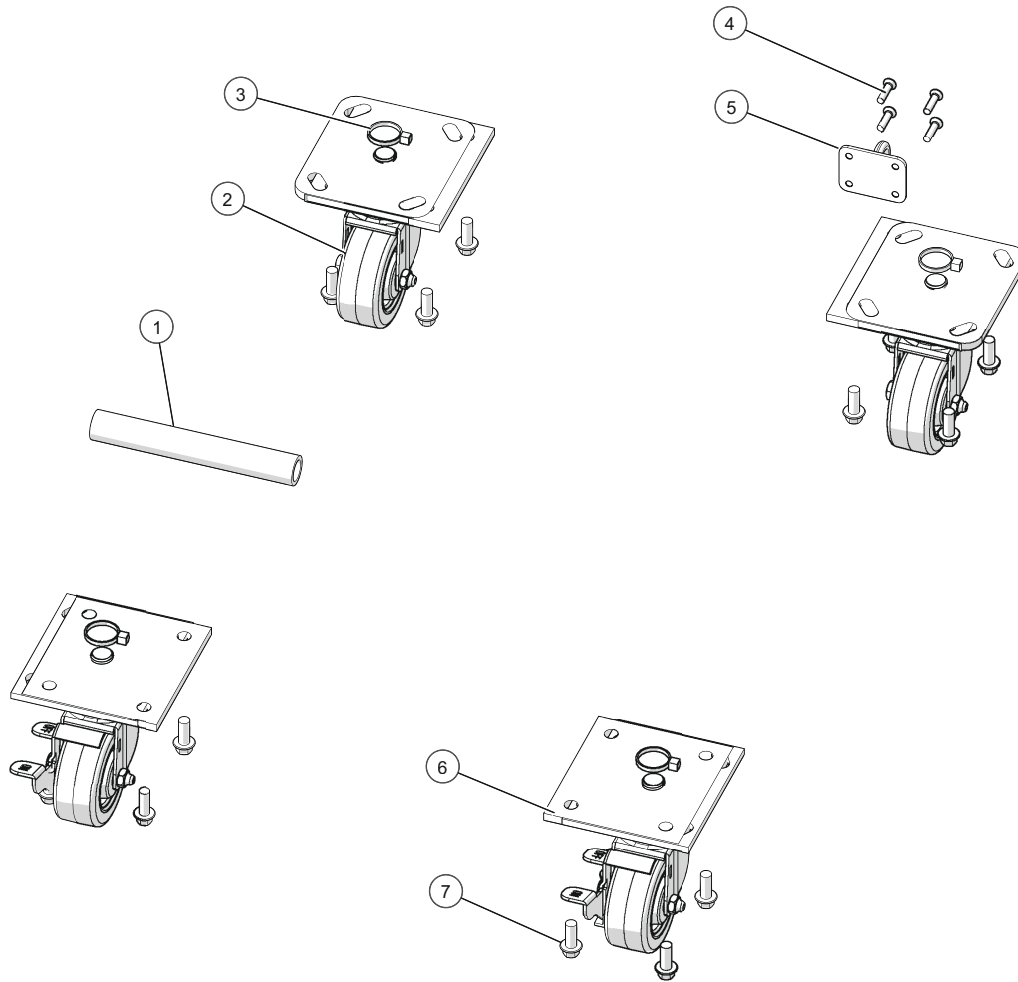
ID	Part No.	Description
1	5027948	FOOT PLATE ASSEMBLY
2	<a href="#">SC-27046</a>	SCREW, M8X1.25X20MM HEX FLG
3	NU-37699	NUT, CAGE M12 X 1.75 THREAD
4	1032569	PLATE, FOOT MOUNTING
5	<a href="#">LG-29644</a>	LEG, 4" ADJUSTABLE

# Seismic Leg Assembly



ID	Part No.	Description
1	5030582	SEISMIC LEG ASSEMBLY
2	1032569	PLATE, FOOT MOUNTING
3	SC-27046	SCREW, M8X1.25X20MM HEX FLG
4	NU-37699	NUT, CAGE M12 X 1.75 THREAD
5	FT-29080	FEET, SEISMIC FLANGE, TABLE TOP

# Caster Assembly



ID	Part No.	Description
1	<a href="#">SL-46233</a>	M16 THREAD SLEEVE
2	CS-46617	CASTER, NON-LOCKING PLATE ASM
3	TI-46253	TIE CABLE, NYLON, 6.00 LG.
4	<a href="#">SC-23868</a>	SCREW, M5x0.8X20MM FLAT
5	<a href="#">BT-26884</a>	BRACKET, TETHER.
6	CS-46618	CASTER, LOCKING PLATE ASSEMBLY
7	<a href="#">SC-27046</a>	SCREW, M8X1.25X20MM HEX FLG





# ALTO-SHAAM

Menomonee Falls, WI U.S.A.

Phone 800-558-8744 | +1-26 2-251-3800 | [alto-shaam.com](http://alto-shaam.com)

## ASIA

Shanghai, China  
Phone +86-21-6173-0336

## AUSTRALIA

Brisbane, Queensland  
Phone 800-558-8744

## CANADA

Concord, Ontario Canada  
Toll Free Phone 866-577-4484  
Phone +1-905-660-6781

## FRANCE

Aix en Provence, France  
Phone +33(0)4-88-78-21-73

## GMBH

Bochum, Germany  
Phone +49 (0)234 298798-0

## ITALY

Padua, Italy  
Phone +39 3476073504

## INDIA

Pune, India  
Phone +91 9657516999

## MEXICO

Phone +52 1 477-717-3108

## MIDDLE EAST & AFRICA

Dubai, UAE  
Phone +971-4-321-9712

## CENTRAL & SOUTH AMERICA

Miami, FL USA  
Phone +1 954-655-5727

## RUSSIA

Moscow, Russia  
Phone +7 903 7932331