

Vector™ H-Series

MULTI-COOK OVEN

Parts Manual



VMC-H2
VMC-H3
VMC-H4
VMC-H2H
VMC-H3H
VMC-H4H

EN

MN-38979-HP
REV.1
06/18

ALTO-SHAAM®

This manual covers the following models:

Vector H Series	Variations
Half-Size Sheet Pan Models VMC-H2 VMC-H3 VMC-H4 Hotel Pan Models VMC-H2H VMC-H3H VMC-H4H	RH - Right-Hand Swing Door LH - Left-Hand Swing Door US (UL Certified) Models International (CE Certified) Models

Fasteners.	5
External Panels	
H2.	9
External Panels	
H3.	10
External Panels	
H4.	11
External Panels	
H2H	12
External Panels	
H3H	13
External Panels	
H4H	14
Door Assemblies	
H2/H2H	15
Door Assemblies	
H3/H3H	16
Door Assemblies	
H4/H4H	17
Door Hardware	
All Models	18
Door Assembly	
H4 prior to 07/17	19
Door Hardware	
H4 prior to 07/17	20
Control Housing	
All Models	21
Control Panel Terminals	
All Models	22
Electrical Chassis, Rear Half	
US (UL Certified) Models	23
Electrical Chassis, Front Half	
US (UL Certified) Models	24
Electrical Chassis, Rear Half	
International (CE Certified) Models	25
Electrical Chassis, Front Half	
International (CE Certified) Models	26
Terminal Blocks	
H2/H2H	27
Terminal Blocks	
H3/H3H	28
Terminal Blocks	
H4/H4H	29
Rear Panel Fans and Filters	
All Models	30
Cavity Filters, Lights and Sensors	
All Models	31
Jet Plates and Racks	
H2, H3, H4	32
Jet Plates and Racks	
H2H, H3H, H4H	33
Air Channel Return — Blower, Heater, Catalyst	
All Models	34
Accessories.	35

TABLE OF CONTENTS

Fasteners

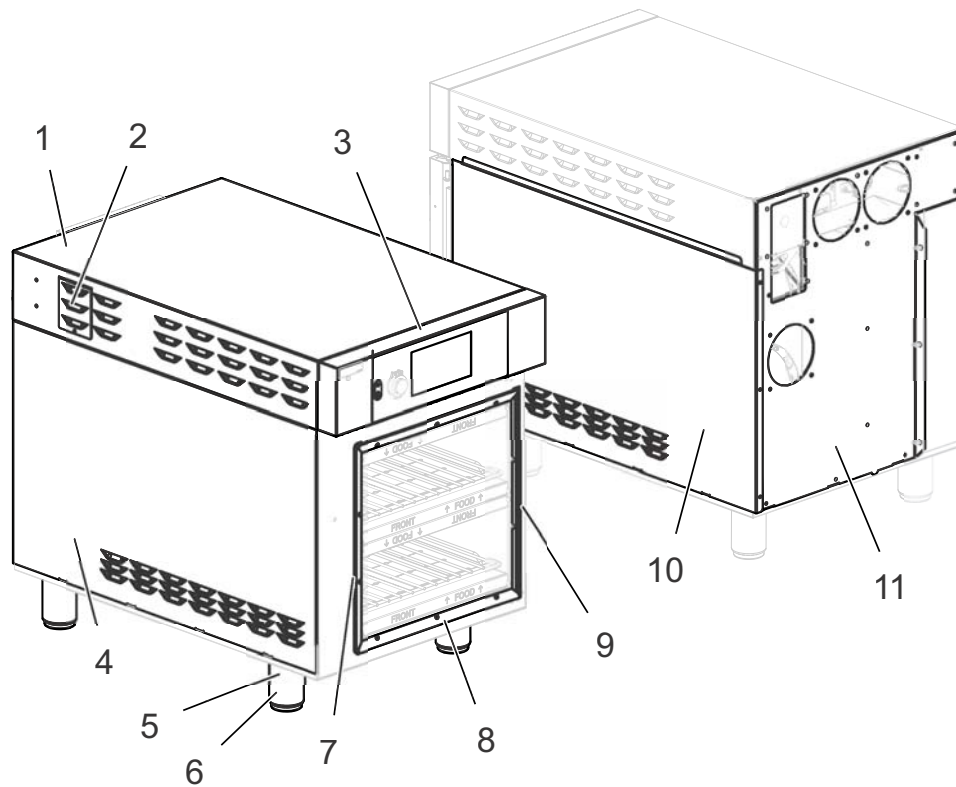
Part No.	Part Description	Fastener Part No.	Fastener Description	Qty.
External Panels H2 - page 9				
1023549	Panel, Exterior, Rear	SC-39147	Screw, 8-18 x 480mm, Washer, Hex	16
1023550	Gasket, Cavity, Vertical	SC-22268	Screw, M3 x 0.5 x 8mm, Pan, Phillips	3
1023551	Panel, Exterior, Left Side	SC-37702	Screw, M4 x 12mm, SEMS, Pan, Phillips	3
1023552	Panel, Exterior, Right Side	SC-37702	Screw, M4 x 12mm, SEMS, Pan, Phillips	3
1023561	Gasket, Cavity, Horizontal	SC-22268	Screw, M3 x 0.5 x 8mm, Pan, Phillips	3
1023563	Gasket, Cavity, Vertical	SC-22268	Screw, M3 x 0.5 x 8mm, Pan, Phillips	3
1023688	Access Panel, Circuit Breakers	SC-22273	Screw, M4 x 0.7 x 10mm, Pan, Phillips	1
5023992	Panel, Exterior, Top Cover	SC-37702	Screw, M4 x 12mm, SEMS, Pan, Phillips	4
5023994	Panel, Control Housing	SC-39147	Screw, 8-18 x 480mm, Washer, Hex	4
LG-29644	Leg, Adjustable	NU-37699	Nut, M12 x 1.75, Cage	1
External Panels H3 - page 10				
1023538	Panel, Exterior, Rear	SC-39147	Screw, 8-18 x 480mm, Washer, Hex	17
1023539	Gasket, Cavity, Vertical	SC-22268	Screw, M3 x 0.5 x 8mm, Pan, Phillips	2
1023540	Panel, Exterior, Left Side	SC-37702	Screw, M4 x 12mm, SEMS, Pan, Phillips	3
1023541	Panel, Exterior, Right Side	SC-37702	Screw, M4 x 12mm, SEMS, Pan, Phillips	3
1023561	Gasket, Cavity, Horizontal	SC-22268	Screw, M3 x 0.5 x 8mm, Pan, Phillips	3
1023564	Gasket, Cavity, Vertical	SC-22268	Screw, M3 x 0.5 x 8mm, Pan, Phillips	2
1023688	Access Panel, Circuit Breakers	SC-22273	Screw, M4 x 0.7 x 10mm, Pan, Phillips	1
5023992	Panel, Exterior, Top Cover	SC-37702	Screw, M4 x 12mm, SEMS, Pan, Phillips	4
5023994	Panel, Control Housing	SC-39147	Screw, 8-18 x 480mm, Washer, Hex	4
LG-29644	Leg, Adjustable	NU-37699	Nut, M12 x 1.75, Cage	1
External Panels H4 - page 11				
1023496	Panel, Exterior, Rear	SC-39147	Screw, 8-18 x 480mm, Washer, Hex	18
1023510	Gasket, Cavity, Vertical	SC-22268	Screw, M3 x 0.5 x 8mm, Pan, Phillips	4
1023511	Panel, Exterior, Left Side	SC-37702	Screw, M4 x 12mm, SEMS, Pan, Phillips	3
1023512	Panel, Exterior, Right Side	SC-37702	Screw, M4 x 12mm, SEMS, Pan, Phillips	3
1023561	Gasket, Cavity, Horizontal	SC-22268	Screw, M3 x 0.5 x 8mm, Pan, Phillips	3
1023565	Gasket, Cavity, Vertical	SC-22268	Screw, M3 x 0.5 x 8mm, Pan, Phillips	4
1023688	Access Panel, Circuit Breakers	SC-22273	Screw, M4 x 0.7 x 10mm, Pan, Phillips	1
5023992	Panel, Exterior, Top Cover	SC-37702	Screw, M4 x 12mm, SEMS, Pan, Phillips	4
5023994	Panel, Control Housing	SC-39147	Screw, 8-18 x 480mm, Washer, Hex	4
LG-29644	Leg, Adjustable	NU-37699	Nut, M12 x 1.75, Cage	1

Part No.	Part Description	Fastener Part No.	Fastener Description	Qty.
External Panels H2H - page 12				
1023549	Panel, Exterior, Rear	SC-39147	Screw, 8-18 x 480mm, Washer, Hex	16
1023550	Gasket, Cavity, Vertical	SC-22268	Screw, M3 x 0.5 x 8mm, Pan, Phillips	3
1023561	Gasket, Cavity, Horizontal	SC-22268	Screw, M3 x 0.5 x 8mm, Pan, Phillips	3
1023563	Gasket, Cavity, Vertical	SC-22268	Screw, M3 x 0.5 x 8mm, Pan, Phillips	3
1023688	Access Panel, Circuit Breakers	SC-22273	Screw, M4 x 0.7 x 10mm, Pan, Phillips	1
1023714	Panel, Exterior, Left Side	SC-37702	Screw, M4 x 12mm, SEMS, Pan, Phillips	3
1023715	Panel, Exterior, Right Side	SC-37702	Screw, M4 x 12mm, SEMS, Pan, Phillips	3
5024117	Panel, Exterior, Top Cover	SC-37702	Screw, M4 x 12mm, SEMS, Pan, Phillips	4
5023994	Panel, Control Housing	SC-39147	Screw, 8-18 x 480mm, Washer, Hex	4
LG-29644	Leg, Adjustable	NU-37699	Nut, M12 x 1.75, Cage	1
External Panels H3H - page 13				
1023538	Panel, Exterior, Rear	SC-39147	Screw, 8-18 x 480mm, Washer, Hex	17
1023539	Gasket, Cavity, Vertical	SC-22268	Screw, M3 x 0.5 x 8mm, Pan, Phillips	2
1023561	Gasket, Cavity, Horizontal	SC-22268	Screw, M3 x 0.5 x 8mm, Pan, Phillips	3
1023564	Gasket, Cavity, Vertical	SC-22268	Screw, M3 x 0.5 x 8mm, Pan, Phillips	2
1023688	Access Panel, Circuit Breakers	SC-22273	Screw, M4 x 0.7 x 10mm, Pan, Phillips	1
1023712	Panel, Exterior, Left Side	SC-37702	Screw, M4 x 12mm, SEMS, Pan, Phillips	3
1023713	Panel, Exterior, Right Side	SC-37702	Screw, M4 x 12mm, SEMS, Pan, Phillips	3
5024117	Panel, Exterior, Top Cover	SC-37702	Screw, M4 x 12mm, SEMS, Pan, Phillips	4
5023994	Panel, Control Housing	SC-39147	Screw, 8-18 x 480mm, Washer, Hex	4
LG-29644	Leg, Adjustable	NU-37699	Nut, M12 x 1.75, Cage	1
External Panels H4H - page 14				
1023496	Panel, Exterior, Rear	SC-39147	Screw, 8-18 x 480mm, Washer, Hex	18
1023510	Gasket, Cavity, Vertical	SC-22268	Screw, M3 x 0.5 x 8mm, Pan, Phillips	4
1023561	Gasket, Cavity, Horizontal	SC-22268	Screw, M3 x 0.5 x 8mm, Pan, Phillips	3
1023565	Gasket, Cavity, Vertical	SC-22268	Screw, M3 x 0.5 x 8mm, Pan, Phillips	4
1023688	Access Panel, Circuit Breakers	SC-22273	Screw, M4 x 0.7 x 10mm, Pan, Phillips	1
1023696	Panel, Exterior, Left Side	SC-37702	Screw, M4 x 12mm, SEMS, Pan, Phillips	3
1023697	Panel, Exterior, Right Side	SC-37702	Screw, M4 x 12mm, SEMS, Pan, Phillips	3
5024117	Panel, Exterior, Top Cover	SC-37702	Screw, M4 x 12mm, SEMS, Pan, Phillips	4
5023994	Panel, Control Housing	SC-39147	Screw, 8-18 x 480mm, Washer, Hex	4
LG-29644	Leg, Adjustable	NU-37699	Nut, M12 x 1.75, Cage	1
Door Hardware All Models - page 18				
1007698	Cover, Door Magnet	SC-22273	Screw, M4 x 0.7 x 10mm, Pan, Phillips	2
		WS-22300	Washer, M4, Split Lock	2
1023527	Plate, Door Hinge	SC-38246	Screw, M4 x 0.7 x 35mm, Flat, Phillips	2
1023528	Plate, Door Hinge, Lower, RH	SC-38246	Screw, M4 x 0.7 x 35mm, Flat, Phillips	2
1023879	Plate, Door Hinge, Upper, LH	SC-38246	Screw, M4 x 0.7 x 35mm, Flat, Phillips	2
HD-29635	Handle, Door	SC-29735	Screw, M5 x 0.8 x 35mm, Pan, Phillips	3
		WS-22301	Washer, M5, Split Lock, DIN #127B	3

Part No.	Part Description	Fastener Part No.	Fastener Description	Qty.
Control Housing All Models - page 21				
5023995R	Interface Board/LCD Display Assembly	BU-37710	Bushing, Brass	4
		NU-36319	Nut, M4, Keps	4
CC-36871	Board, ON/OFF Switch, Touch	BU-25094	Bushing, Brass	2
		NU-35846	Nut, M3 x 0.5, Keps	2
CC-39528	Control Board	SC-35729	Screw, M4 x 0.7 x 8mm, Pan, Phillips	2
		SP-39372	Spacer, Lock-In	4
		SP-39373	Spacer, Hex Standoff, 6mm	2
Control Panel Terminals All Models - page 22				
CC-39528	Control Board	SC-35729	Screw, M4 x 0.7 x 8mm, Pan, Phillips	2
		SP-39372	Spacer, Lock-In	4
		SP-39373	Spacer, Hex Standoff, 6mm	2
Electrical Chassis, Rear Half US (UL Certified) Models - page 23				
1023501	Bracket, Mounting	SC-39147	Screw, 8-18 x 480mm, Washer, Hex	3
TT-37636	Thermal Cutoff	SC-37701	Screw, M4 x 8mm, SEMS Pan, Phillips	2
TT-37680	Thermostat, Auto Reset	SC-38693	Screw, 8-18 x 1/2", Self Driller, Pan, Phillips	2
Electrical Chassis, Front Half US (UL Certified) Models - page 24				
1023504	Bracket, Door Interlock Switch	SC-39147	Screw, 8-18 x 480mm, Washer, Hex	2
BA-39023	Controller Board, Telco	SC-37702	Screw, M4 x 12mm, SEMS, Pan, Phillips	3
BZ-37655	Speaker	SC-37702	Screw, M4 x 12mm, SEMS, Pan, Phillips	2
LT-3738	Latch, Door Interlock Switch	SC-22268	Screw, M3 x 0.5 x 8mm, Pan, Phillips	2
TN-37722	Transformer, 12V Out/240V In	SC-37702	Screw, M4 x 12mm, SEMS, Pan, Phillips	2
Electrical Chassis, Rear Half International (CE Certified) Models - page 25				
1023501	Bracket, Mounting	SC-39147	Screw, 8-18 x 480mm, Washer, Hex	3
1024693	Bracket, Wye Filter Holder	SC-39147	Screw, 8-18 x 480mm, Washer, Hex	2
TT-37636	Thermal Cutoff	SC-37701	Screw, M4 x 8mm, SEMS Pan, Phillips	2
TT-37680	Thermostat, Auto Reset	SC-38693	Screw, 8-18 x 1/2", Self Driller, Pan, Phillips	2
Electrical Chassis, Front Half International (CE Certified) Models - page 26				
1023504	Bracket, Door Interlock Switch	SC-39147	Screw, 8-18 x 480mm, Washer, Hex	2
BA-39023	Controller Board, Telco	SC-37702	Screw, M4 x 12mm, SEMS, Pan, Phillips	3
BZ-37655	Speaker	SC-37702	Screw, M4 x 12mm, SEMS, Pan, Phillips	2
FI-39226	Filter, RFI Power Line	SC-22273	Screw, M4 x 0.7 x 10mm, Pan, Phillips	2
		WS-22294	Washer, M4, Flat, DIN #125A	2
		WS-22300	Washer, Split Lock	2
LT-3738	Latch, Door Interlock Switch	SC-22268	Screw, M3 x 0.5 x 8mm, Pan, Phillips	2
TN-37722	Transformer, 12V Out/240V In	SC-37702	Screw, M4 x 12mm, SEMS, Pan, Phillips	2
Terminal Blocks H2/H2H - page 27				
RL-33829	Relay, 230V, 20A	SC-39151	Screw, M4 x 0.7 x 16mm, SEMS, Pan, Phillips	2
Terminal Blocks H3/H3H - page 28				
RL-33829	Relay, 230V, 20A	SC-39151	Screw, M4 x 0.7 x 16mm, SEMS, Pan, Phillips	2
Terminal Blocks H4/H4H - page 29				
RL-33829	Relay, 230V, 20A	SC-39151	Screw, M4 x 0.7 x 16mm, SEMS, Pan, Phillips	2

Part No.	Part Description	Fastener Part No.	Fastener Description	Qty.
Rear Panel Fans and Filters All Models - page 30				
1023497	Holder, Filter, Single	SC-38887	Screw, M5 x 0.8 x 16mm, Pan, Phillips	4
		SC-39147	Screw, 8-18 x 480mm, Washer, Hex	1
1023498	Holder, Filter, Double	SC-38887	Screw, M5 x 0.8 x 16mm, Pan, Phillips	4
		SC-39147	Screw, 8-18 x 480mm, Washer, Hex	1
FA-36957	Fan w/ Housing	SC-38887	Screw, M5 x 0.8 x 16mm, Pan, Phillips	4
GD-37653	Guard, Fan	SC-38887	Screw, M5 x 0.8 x 16mm, Pan, Phillips	4
Cavity Filters, Lights and Sensors All Models - page 31				
1023525	Bracket, Light Stiffener	SC-26388	Screw, 4-40 x 1/2", Pan, Phillips	1
LI-37663	Light, Fixture	SC-26388	Screw, 4-40 x 1/2", Pan, Phillips	1
PR-37668	Thermocouple	SC-22268	Screw, M3 x 0.5 x 8mm, Pan, Phillips	2
Air Channel Return — Blower, Heater, Catalyst All Models - page 34				
1023476	Bracket	SC-39147	Screw, 8-18 x 480mm, Washer, Hex	1
1023490	Bracket, Motor Mounting	SC-37702	Screw, M4 x 12mm, SEMS, Pan, Phillips	4
1023491	Plate, Motor Mounting	SC-39147	Screw, 8-18 x 480mm, Washer, Hex	4
1023492	Bracket, Catalytic Converter	SC-39147	Screw, 8-18 x 480mm, Washer, Hex	4
1023557	Plate, Seal Retainer	SC-39147	Screw, 8-18 x 480mm, Washer, Hex	3
1026315	Bracket, Motor Support H2/H2H	SC-37702	Screw, M4 x 12mm, SEMS	1
1026980	Bracket, Motor Support, H3/H3H	SC-37702	Screw, M4 x 12mm, SEMS	1
1026988	Bracket, Motor Support H4,H4H	SC-37702	Screw, M4 x 12mm, SEMS	1
EL-37664	Convection Heater	SC-39147	Screw, 8-18 x 480mm, Washer, Hex	12
HS-37633	Inlet Ring	SC-38693	Screw, 8-18 x 1/2", Self Driller, Pan, Phillips	3
MO-39010	Motor, Single Shaft	NU-36319	Nut, M4, Keps	8

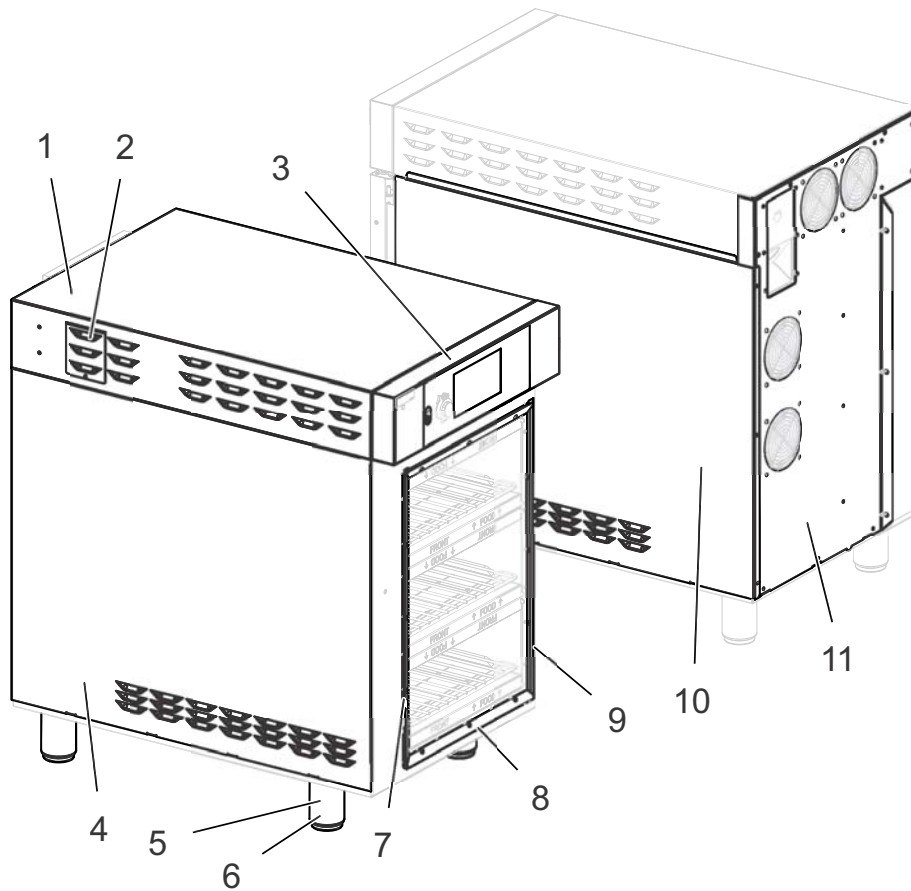
External Panels H2



ID	Part No.	Description
1	5023992	Panel, Exterior, Top Cover, H2/H3/H4*
2	1023688	Access Panel, Circuit Breakers*
3	5023994R	Panel, Control Housing, with Overlay*
4	1023551	Panel, Exterior, Left Side, H2*
5	5014178	Leg Package, Set of 4
6	LG-29644	Leg, Adjustable*
7	1023550	Gasket, Cavity, Vertical, H2/H2H*
8	1023561	Gasket, Cavity, Horizontal*
9	1023563	Gasket, Cavity, Vertical, H2/H2H*
10	1023552	Panel, Exterior, Right Side, H2*
11	5024423R	Panel, Exterior, Rear, H2/H2H*

* = [Refer to Fasteners Page](#) for list of fasteners for this part.

External Panels H3

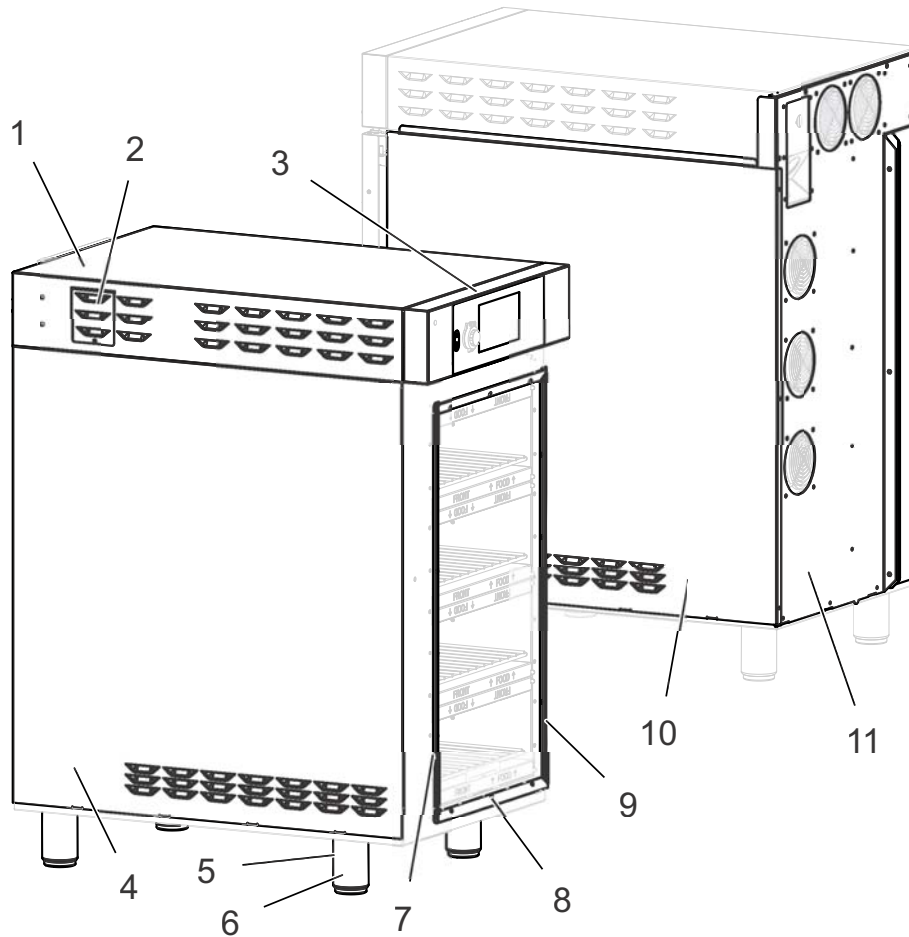


ID	Part No.	Description
1	5023992	Panel, Exterior, Top Cover, H2/H3/H4*
2	1023688	Access Panel, Circuit Breakers*
3	5023994R	Panel, Control Housing, with Overlay*
4	1023540	Panel, Exterior, Left Side, H3*
5	5014178	Leg Package, Set of 4
6	LG-29644	Leg, Adjustable*
7	1023539	Gasket, Cavity, Vertical, H3/H3H*
8	1023561	Gasket, Cavity, Horizontal*
9	1023564	Gasket, Cavity, Vertical, H3/H3H*
10	1023541	Panel, Exterior, Right Side, H3*
11	5024424R	Panel, Exterior, Rear, H3/H3H*

* = [Refer to Fasteners Page](#) for list of fasteners for this part.

External Panels

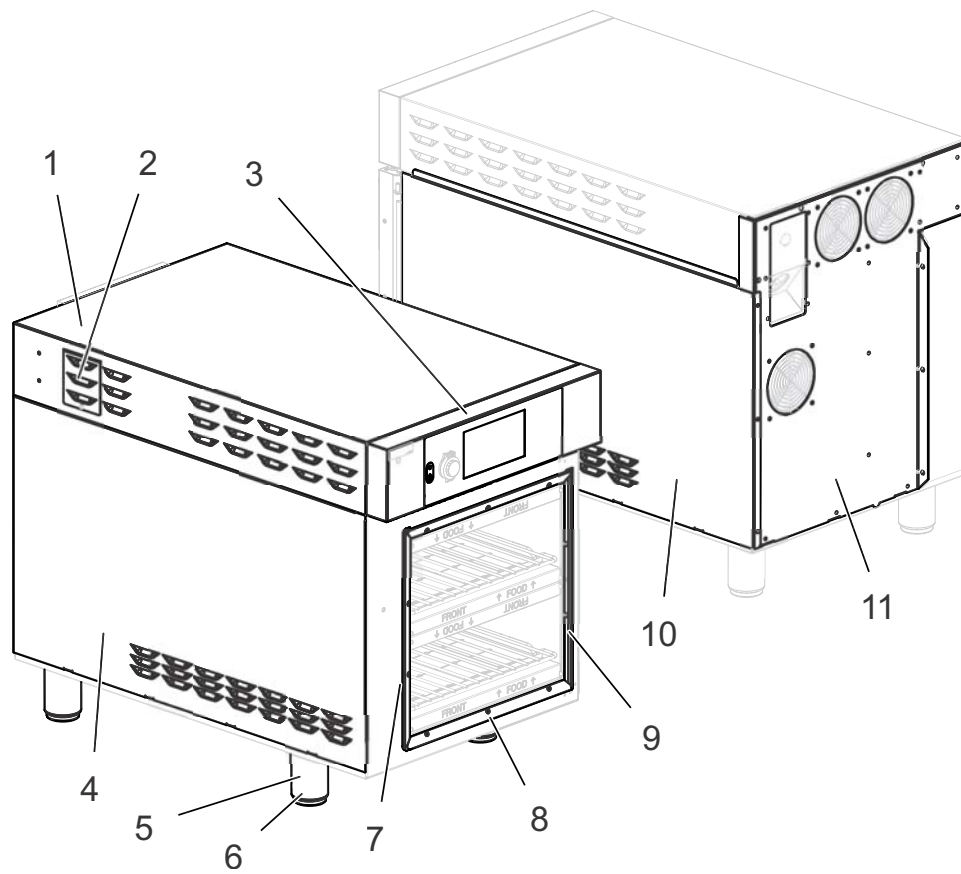
H4



ID	Part No.	Description
1	5023992	Panel, Exterior, Top Cover*
2	1023688	Access Panel, Circuit Breakers*
3	5023994R	Panel, Control Housing, with Overlay*
4	1023511	Panel, Exterior, Left Side, H4*
5	5014178	Leg Package, Set of 4
6	LG-29644	Leg, Adjustable*
7	1023510	Gasket, Cavity, Vertical, H4/H4H*
8	1023561	Gasket, Cavity, Horizontal*
9	1023565	Gasket, Cavity, Vertical, H4/H4H*
10	1023512	Panel, Exterior, Right Side, H4*
11	5024425R	Panel, Exterior, Rear, H4/H4H*

* = [Refer to Fasteners Page](#) for list of fasteners for this part.

External Panels H2H

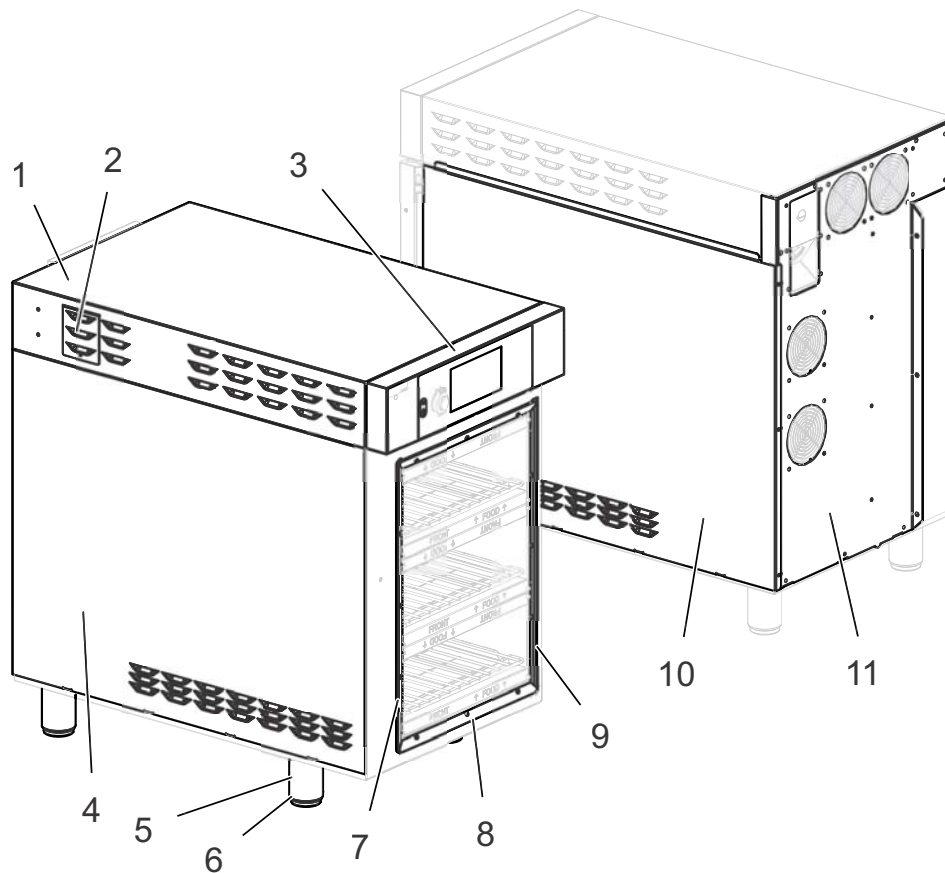


ID	Part No.	Description
1	5024117	Panel, Exterior, Top Cover*
2	1023688	Access Panel, Circuit Breakers*
3	5023994R	Panel, Control Housing, with Overlay*
4	1023714	Panel, Exterior, Left Side, H2H*
5	5014178	Leg Package, Set of 4
6	LG-29644	Leg, Adjustable*
7	1023550	Gasket, Cavity, Vertical, H2/H2H*
8	1023561	Gasket, Cavity, Horizontal*
9	1023563	Gasket, Cavity, Vertical, H2/H2H*
10	1023715	Panel, Exterior, Right Side, H2H*
11	5024423R	Panel, Exterior, Rear, H2/H2H*

* = [Refer to Fasteners Page](#) for list of fasteners for this part.

External Panels

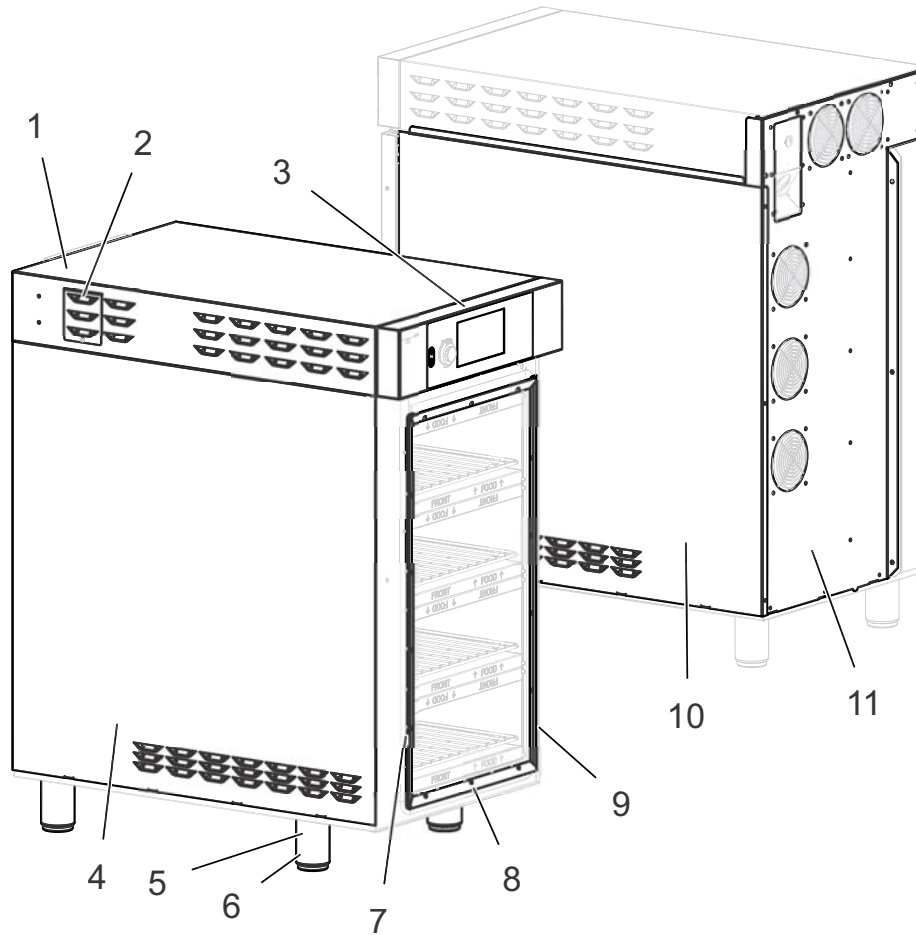
H3H



ID	Part No.	Description
1	5024117	Panel, Exterior, Top Cover, H2H/H3H/H4H*
2	1023688	Access Panel, Circuit Breakers*
3	5023994R	Panel, Control Housing, with Overlay*
4	1023712	Panel, Exterior, Left Side, H3H*
5	5014178	Leg Package, Set of 4
6	LG-29644	Leg, Adjustable*
7	1023539	Gasket, Cavity, Vertical, H3/H3H*
8	1023561	Gasket, Cavity, Horizontal*
9	1023564	Gasket, Cavity, Vertical, H3/H3H*
10	1023713	Panel, Exterior, Right Side, H3H*
11	5024424R	Panel, Exterior, Rear, H3/H3H*

* = [Refer to Fasteners Page](#) for list of fasteners for this part.

External Panels H4H

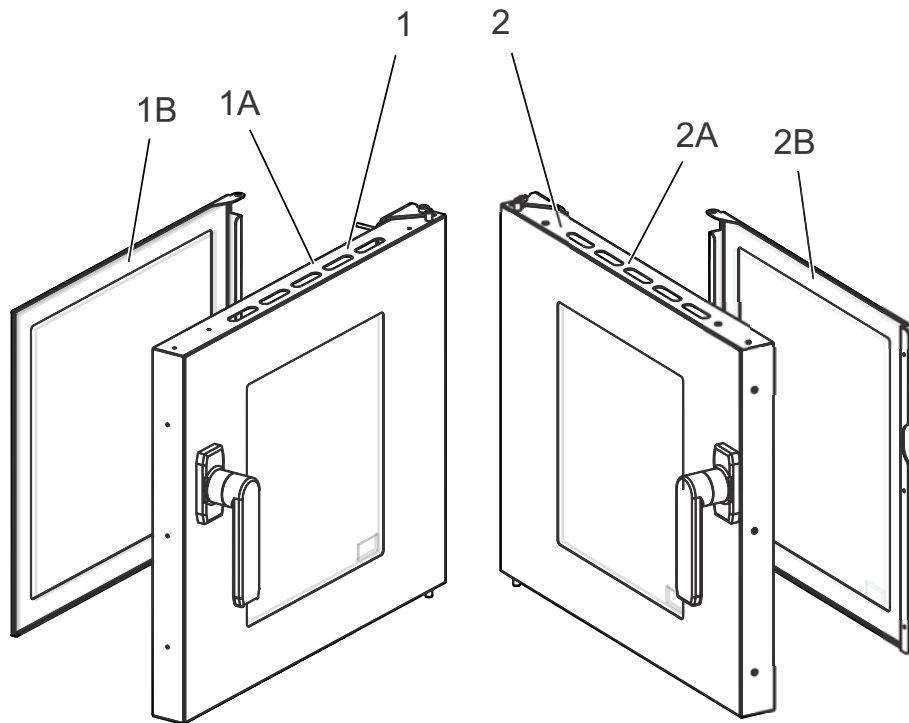


ID	Part No.	Description
1	5024117	Panel, Exterior, Top Cover, H2H/H3H/H4H*
2	1023688	Access Panel, Circuit Breakers*
3	5023994R	Panel, Control Housing, with Overlay*
4	1023696	Panel, Exterior, Left Side, H4H*
5	5014178	Leg Package, Set of 4
6	LG-29644	Leg, Adjustable*
7	1023510	Gasket, Cavity, Vertical, H4/H4H*
8	1023561	Gasket, Cavity, Horizontal*
9	1023565	Gasket, Cavity, Vertical, H4/H4H*
10	1023697	Panel, Exterior, Right Side, H4H*
11	5024425R	Panel, Exterior, Rear, H4/H4H*

* = Refer to Fasteners Page for list of fasteners for this part.

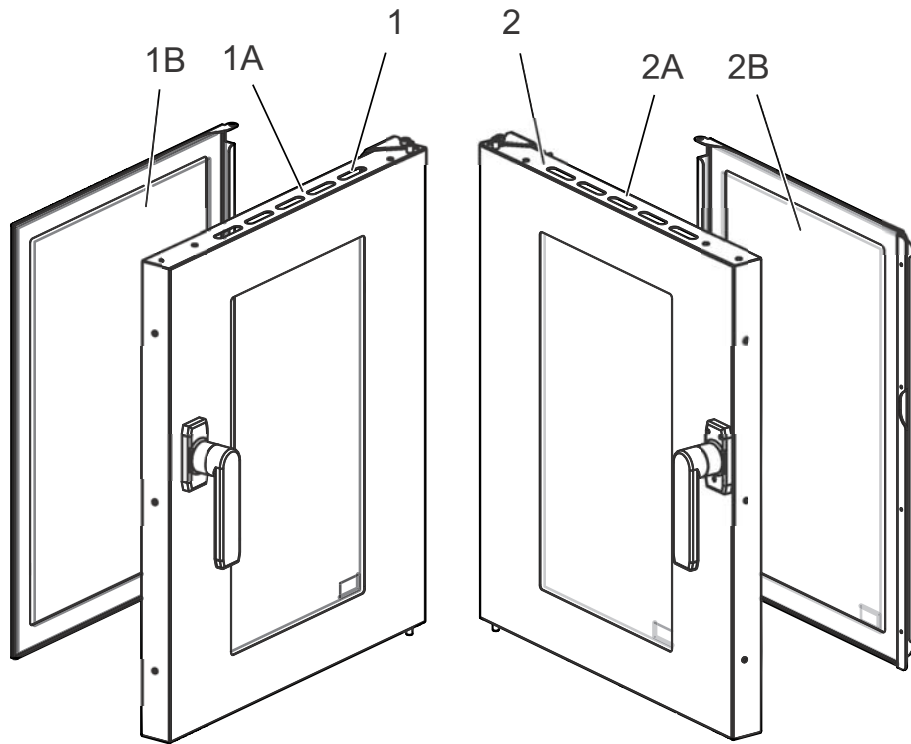
Door Assemblies

H2/H2H



ID	Part No.	Description
1	5024024	Door Assembly, H2, RH (includes hardware)
1A	5024086	Outer Door Assembly, H2, RH (includes hardware)
1B	5024089	Inner Glass Assembly, H2, RH
2	5024183	Door Assembly, H2, LH (includes hardware)
2A	5024182	Outer Door Assembly, H2, LH (includes hardware)
2B	5024179	Inner Glass Assembly, H2, LH

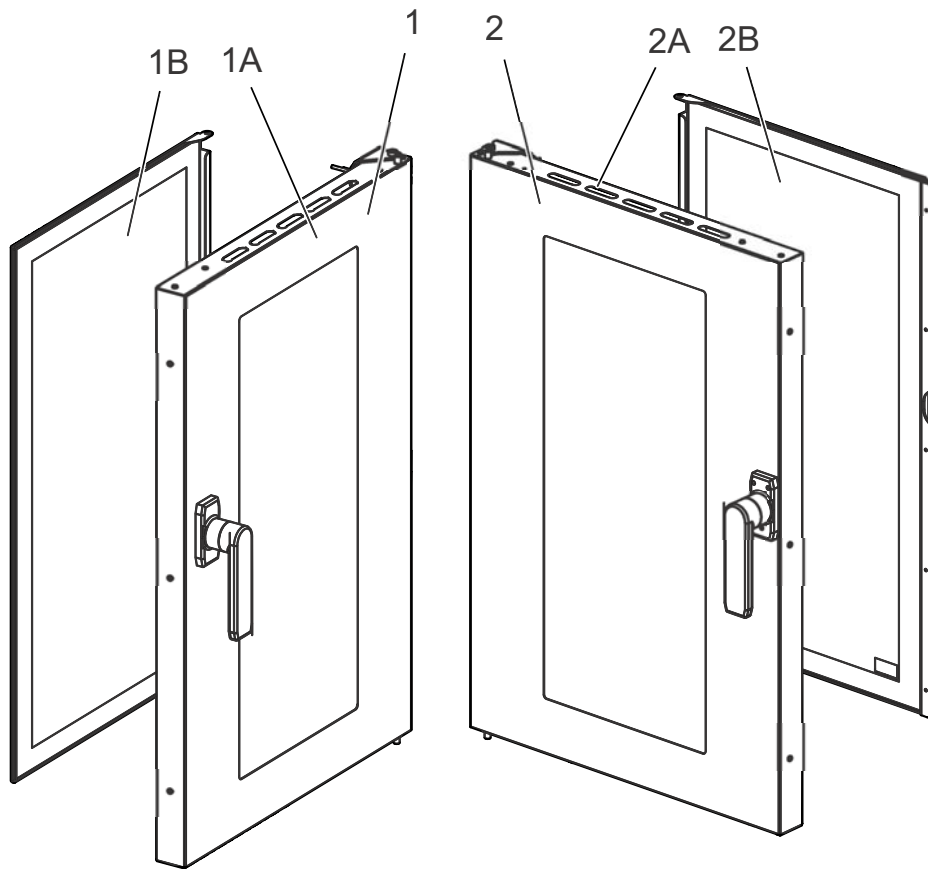
Door Assemblies H3/H3H



ID	Part No.	Description
1	5024012	Door Assembly, H3, RH (includes hardware)
1A	5024013	Outer Door Assembly, H3, RH (includes hardware)
1B	5024016	Inner Glass Assembly, H3, RH
2	5024196	Door Assembly, H3, LH (includes hardware)
2A	5024195	Outer Door Assembly, H3, LH (includes hardware)
2B	5024192	Inner Glass Assembly, H3, LH

Door Assemblies

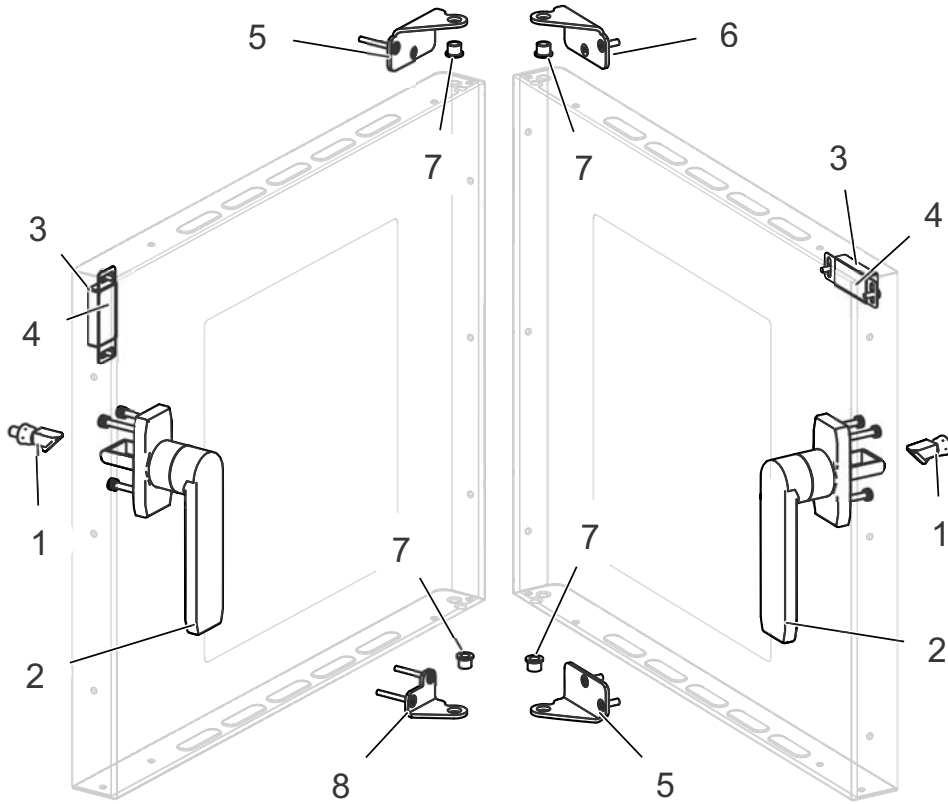
H4/H4H



ID	Part No.	Description
1	5023997	Door Assembly, H4, RH (includes hardware)
1A	5023998	Outer Door Assembly, H4, RH (includes hardware)
1B	5024002	Inner Glass Assembly, H4, RH
2	5024201	Door Assembly, H4, LH (includes hardware)
2A	5024200	Outer Door Assembly, H4, LH (includes hardware)
2B	5024197	Inner Glass Assembly, H4, LH

Door Hardware

All Models

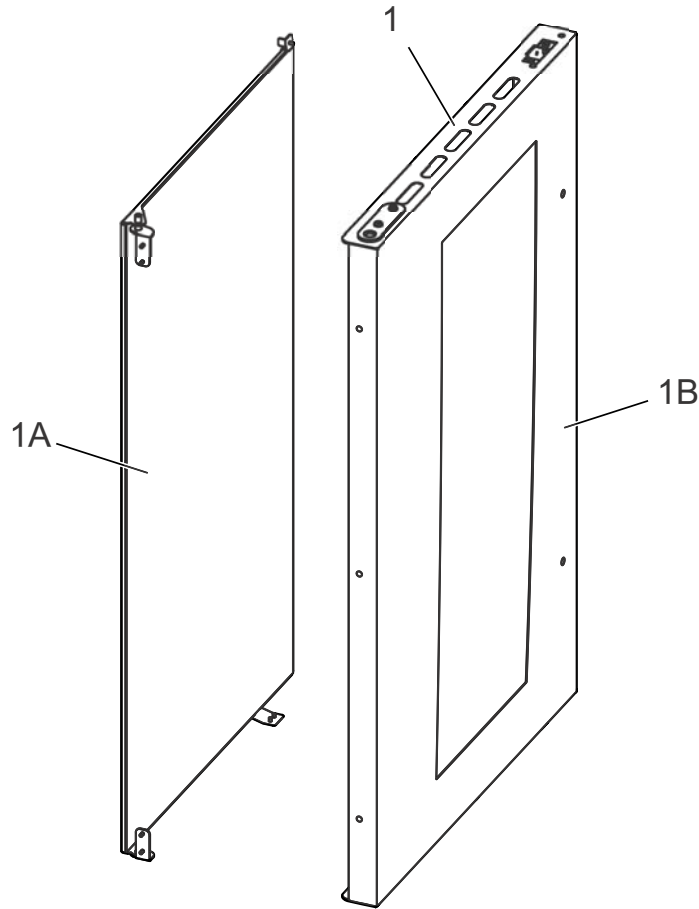


ID	Part No.	Description
1	LT-38342	Latch, Door (includes nut and silicone cap)
2	HD-29635	Handle, Door*
3	1007698	Cover, Door Magnet*
4	MA-25734	Magnet, Door
5	1023527	Plate, Door Hinge*
6	1023879	Plate, Door Hinge, Upper, LH*
7	BU-37709	Bushing, Hinge
8	1023528	Plate, Door Hinge, Lower, RH*

* = [Refer to Fasteners Page](#) for list of fasteners for this part.

Door Assembly

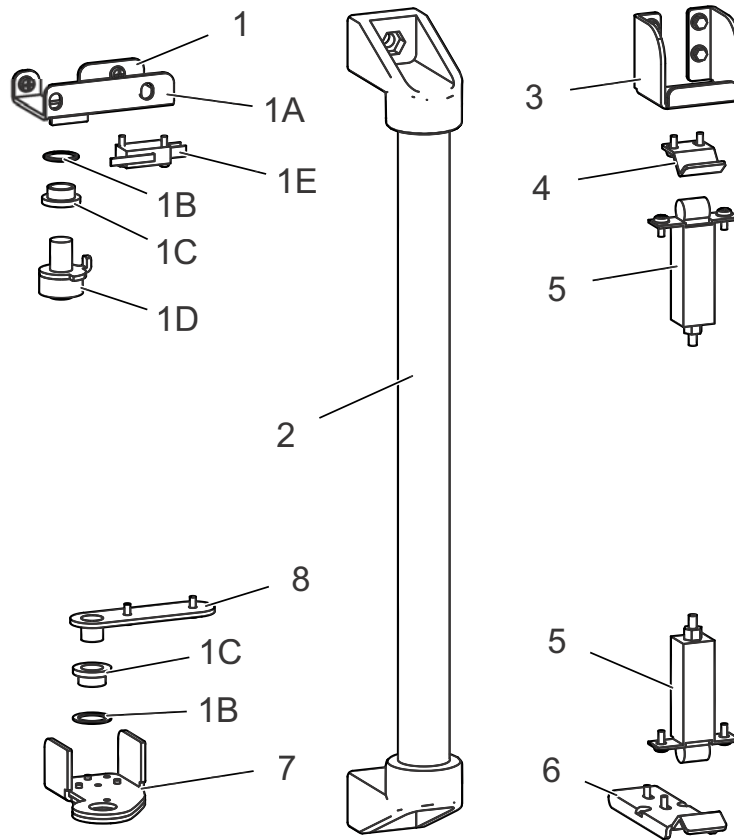
H4 prior to 07/17



ID	Part No.	Description
1	0859-2008	Door Assembly
1A	0859-2011	Inner Glass Assembly
1B	0859-2009	Outer Door Assembly

Door Hardware

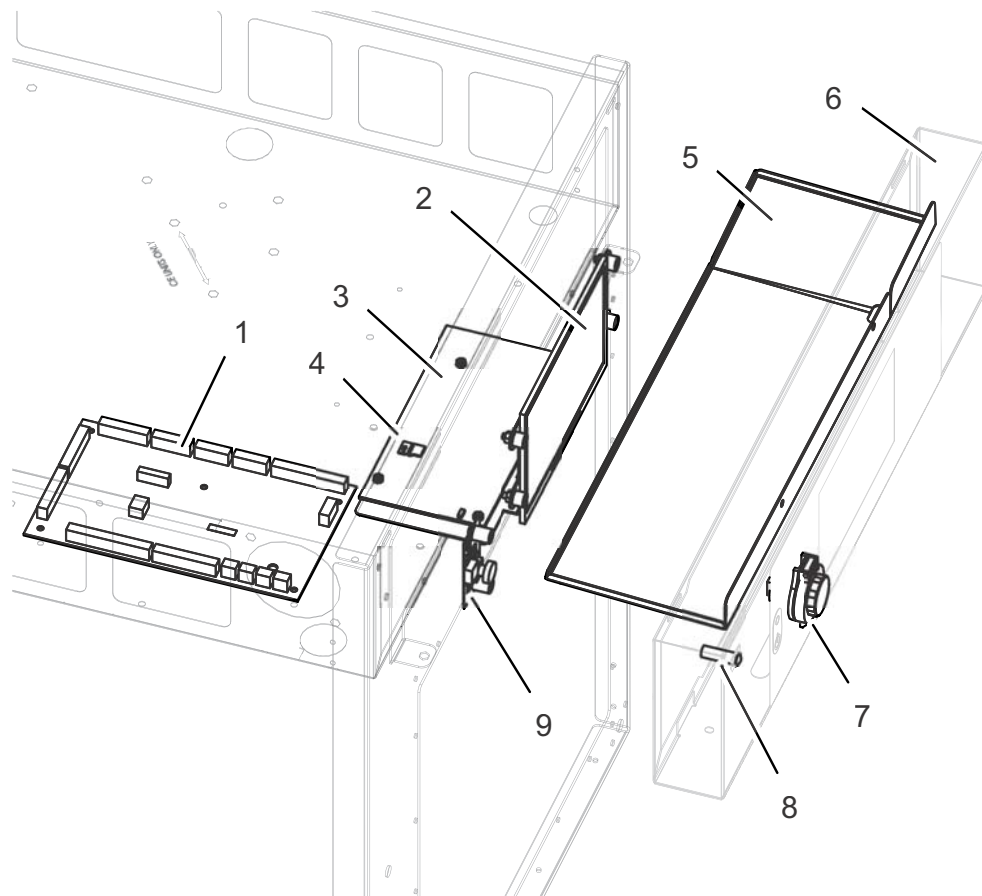
H4 prior to 07/17



ID	Part No.	Description
1	0857-2033	Hinge, Upper
1A	0857-3091	Bracket, Upper Hinge
1B	98430A140	Retainer
1C	6338K417	Bushing
1D	0857-2050	Hinge, Upper
1E	7779K63	Sensor
2	0862-1000	Door Handle
3	0857-3052	Bracket, Upper Latch
4	0857-3053	Flange, Upper Latch
5	153801	Roller Latch
6	0859-3006	Bracket/Flange, Lower Latch
7	0857-2044	Bracket, Lower Hinge
8	0854-2006	Hinge, Lower

Control Housing

All Models

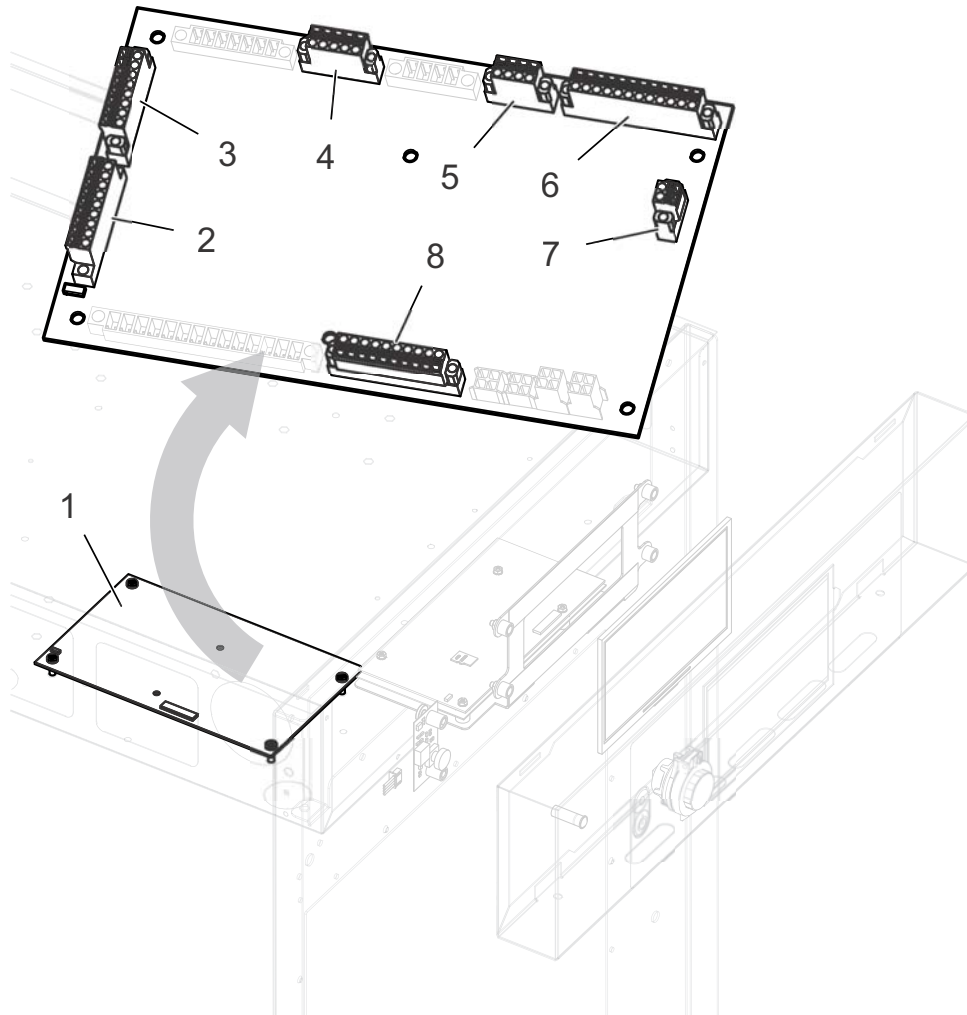


ID	Part No.	Description
1	CC-39528	Control Board
2	5023995R	Interface Board/LCD Display Assembly (incl. CC-39509)*
3	5025698	Interface Board Replacement Kit (.incl CC-39509)*
4	CC-39509	Micro SD Card, 4GB/SDHC
5	1025366	Drip Tray, Control Panel
6	5023994R	Panel, Control Housing, with Overlay
7	CB-35746	USB Connector, Panel Mount
8	LI-37681R	LED, Panel Mount, 125/250V
9	CC-36871	Board, ON/OFF Switch, Touch*

* = [Refer to Fasteners Page](#) for list of fasteners for this part.

Control Panel Terminals

All Models

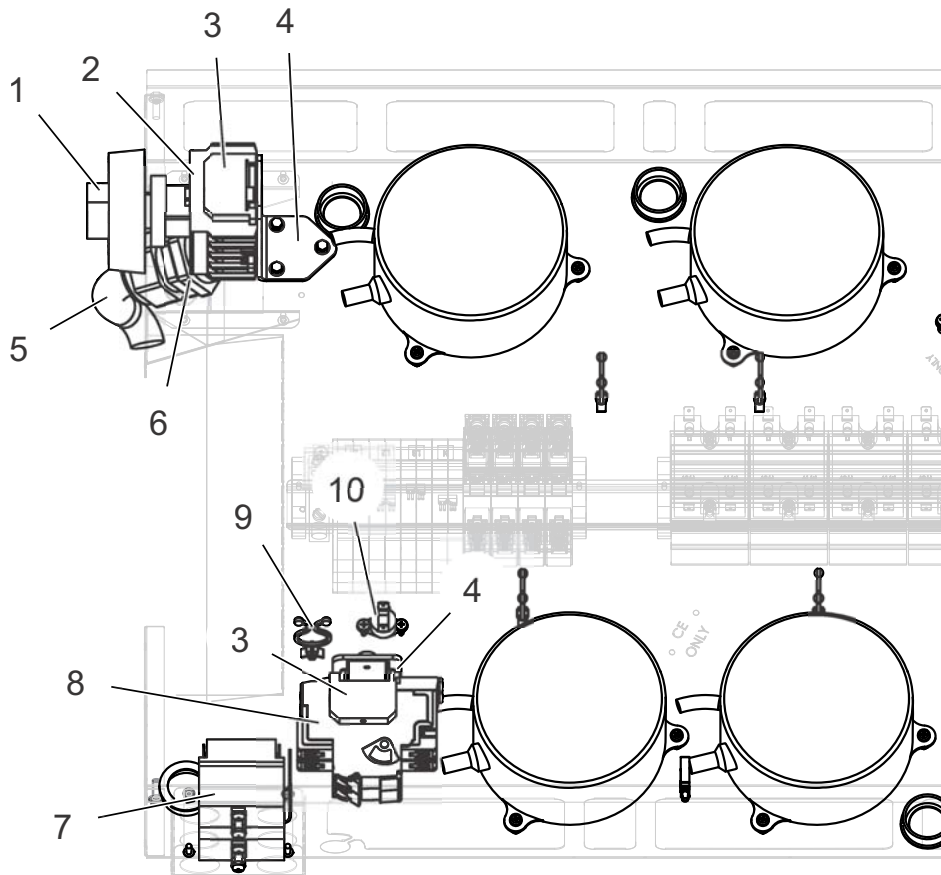


ID	Part No.	Description
1	CC-39528	Control Board*
2	TM-37716	Terminal Connector, 9-Pin
3	TM-37715	Terminal Connector, 8-Pin
4	TM-37713	Terminal Connector, 5-Pin
5	TM-37712	Terminal Connector, 4-Pin
6	TM-37718	Terminal Connector, 12-Pin
7	TM-37711	Terminal Connector, 2-Pin
8	TM-37717	Terminal Connector, 10-Pin

* = [Refer to Fasteners Page](#) for list of fasteners for this part.

Electrical Chassis, Rear Half

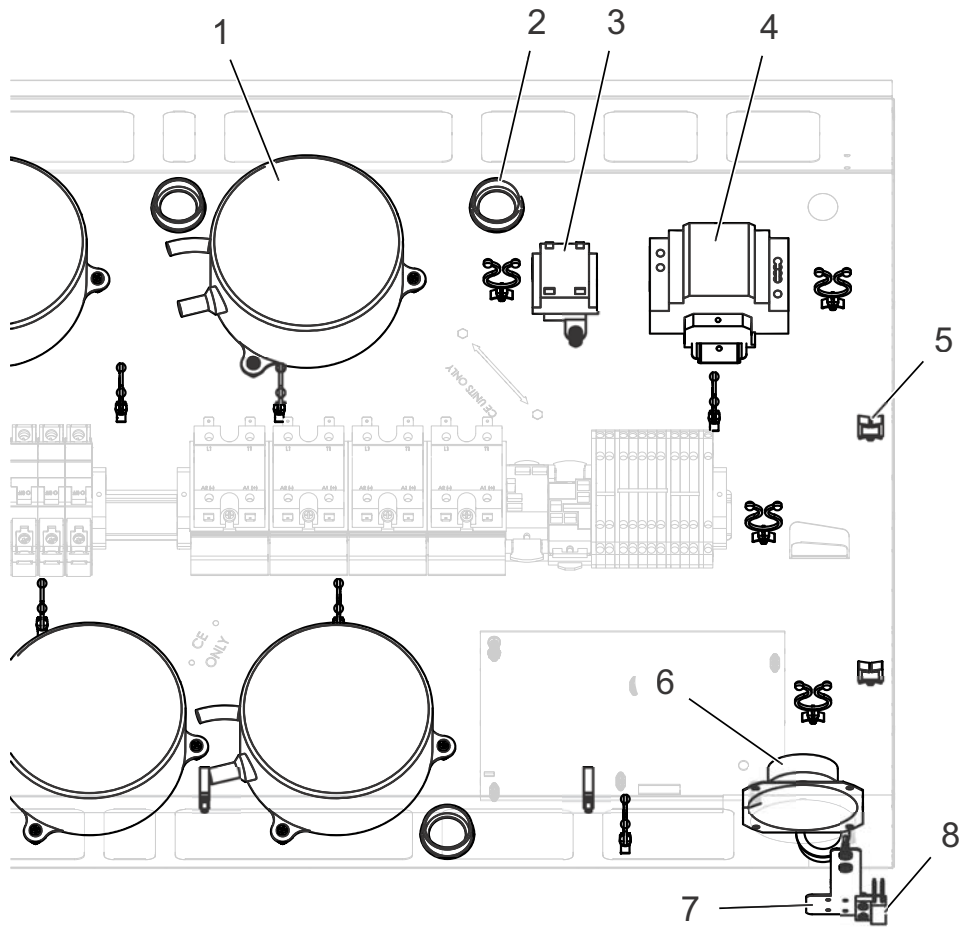
US (UL Certified) Models



ID	Part No.	Description
1	KN-37667	Knob, Power Switch
2	SW-39228	Disconnect, Power Switch, 60A
3	TM-34305	End Stop, Clip
4	1023501	Bracket, Mounting*
5	CD-37679	Cord, 6-50/RT, 250V, 50A (where included)
6	BU-37678	Cord Grip, Liquid Tight (where included)
7	TT-37636	Thermal Cuoff, 300°F (149°C)*
8	FU-39058	Circuit Breaker, 20A
9	TI-35719	Wire Tie, Twist Lock
10	TT-37680	Thermostat, 500°F (260°C), Auto Reset*

* = [Refer to Fasteners Page](#) for list of fasteners for this part.

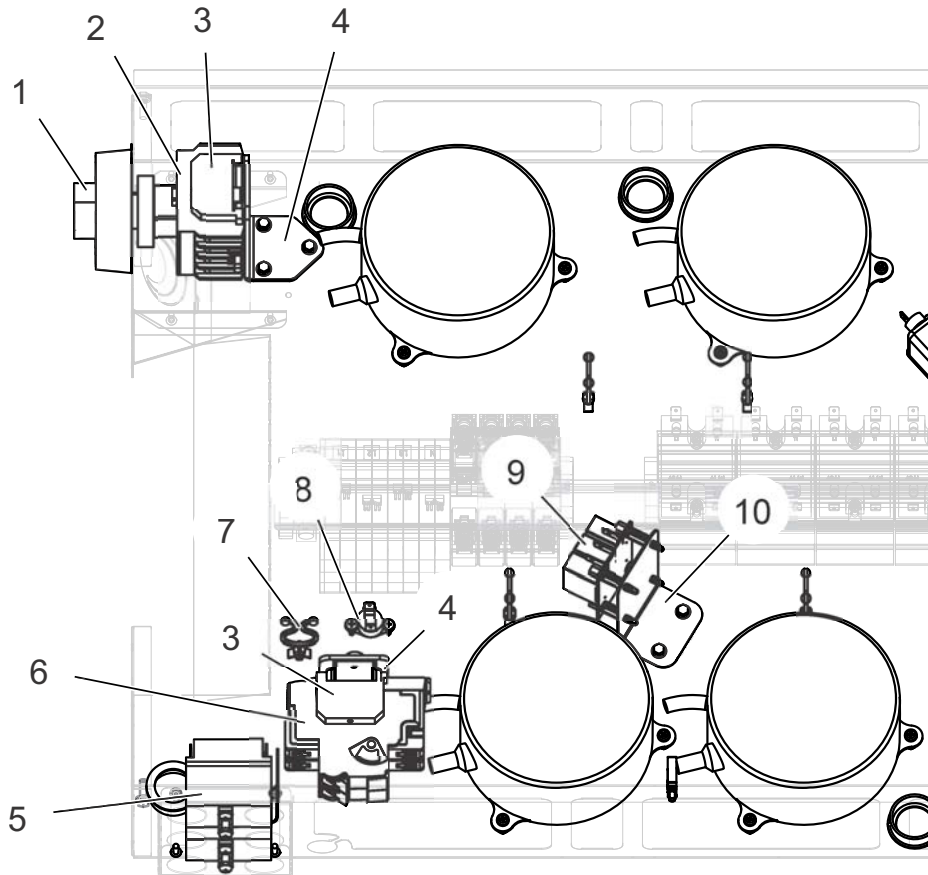
Electrical Chassis, Front Half US (UL Certified) Models



ID	Part No.	Description
1	BA-39023	Controller Board*
2	BU-37626	Bushing, Snap
3	TN-37722	Transformer, 12V out/240V In, 2.5VA*
4	BA-37724	Power Supply, 12VDC
5	CL-38422	Wire Retainer, Push-In
6	BZ-37655	Speaker*
7	1023504	Bracket, Door Interlock Switch*
8	LT-3738	Latch, Door Interlock Switch*

* = [Refer to Fasteners Page](#) for list of fasteners for this part.

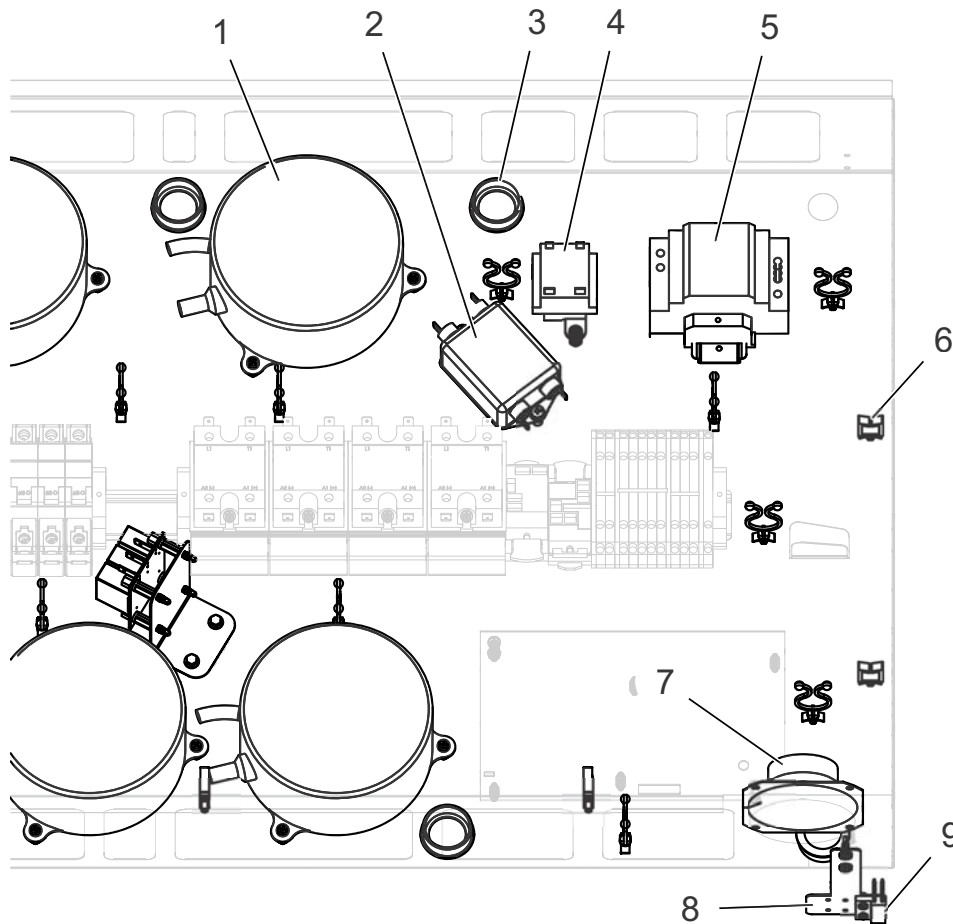
Electrical Chassis, Rear Half International (CE Certified) Models



ID	Part No.	Description
1	KN-37667	Knob, Power Switch
2	SW-39228	Disconnect, Power Switch, 60A
3	TM-34305	End Stop, Clip
4	1023501	Bracket, Mounting*
5	TT-37636	Thermal Cuoff, 300°F (149°C)*
6	FU-39058	Circuit Breaker, 20A
7	TI-35719	Wire Tie, Twist Lock
8	TT-37680	Thermostat, 500°F (260°C), Auto Reset*
9	BA-39285	Wye Filter
10	1024693	Bracket, Wye Filter Holder*

* = [Refer to Fasteners Page](#) for list of fasteners for this part.

Electrical Chassis, Front Half International (CE Certified) Models



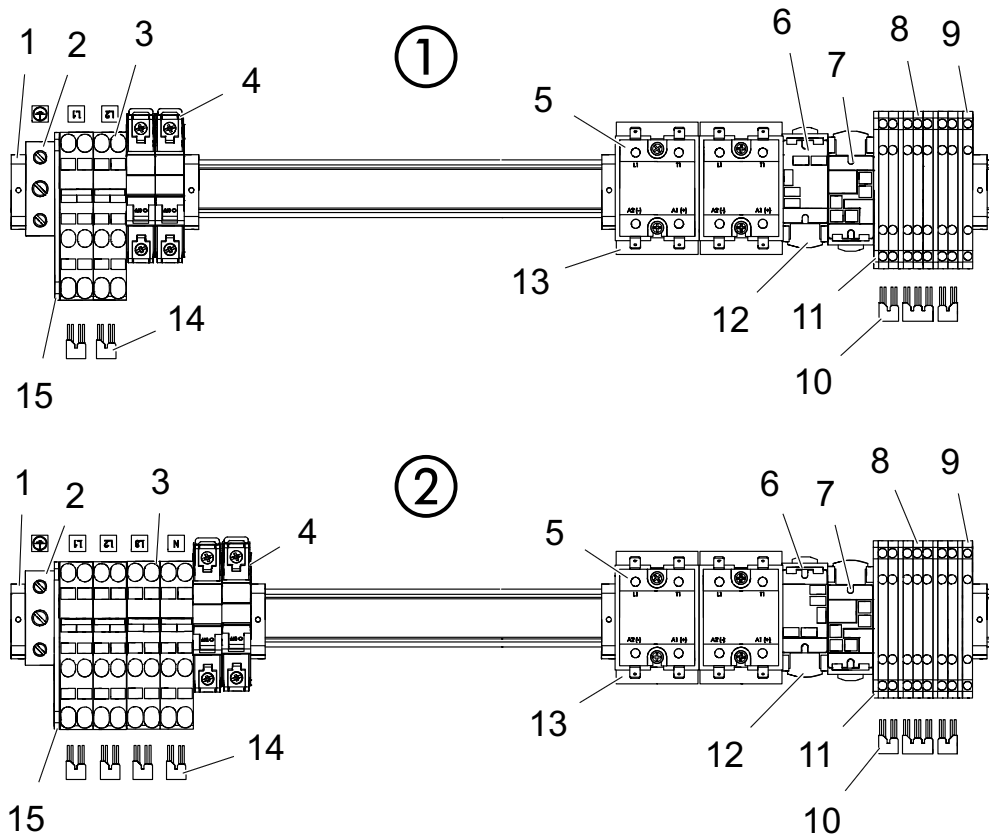
ID	Part No.	Description
1	BA-39023	Controller Board*
2	FI-39226	Filter, RFI Power Line
3	BU-37626	Bushing, Snap
4	TN-37722	Transformer, 12V out/240V In, 2.5VA*
5	BA-37724	Power Supply, 12VDC
6	CL-38422	Wire Retainer, Push-In
7	BZ-37655	Speaker*
8	1023504	Bracket, Door Interlock Switch*
9	LT-3738	Latch, Door Interlock Switch*

BA-39023 quantity: H2/H2H=2, H3/H3H=3, H4/H4H=4.

* = [Refer to Fasteners Page](#) for list of fasteners for this part.

Terminal Blocks

H2/H2H



ID	Part No.	Description	Qty ^①	Qty ^②
1	TM-34305	End Stop, Clip	4	4
2	TM-3782	Terminal, Ground, 35mm	1	1
3	TM-37660	T-Block, 2-Position	4	8
4	FU-39058	Circuit Breaker, 20A	2	2
5	RL-33829	Relay, 230V, 25A*	2	2
6	RE-37725	Relay, 240VAC	1	1
7	RE-37704	Relay, 12VDC	1	1
8	TM-34307	Terminal, 6mm, Spring Type, Orange	7	7
9	TM-34306	Terminal, Ground, 6mm, Spring Type	1	1
10	TM-34310	Jumper Bar, Comb	3	3
11	TM-34309	Separator	4	4
12	TM-37674	Relay Mount	2	2
13	HE-37689	Heat Sink	2	2
14	TM-37727	Jumper Bar, Comb	2	4
15	TM-37726	Separator	1	1

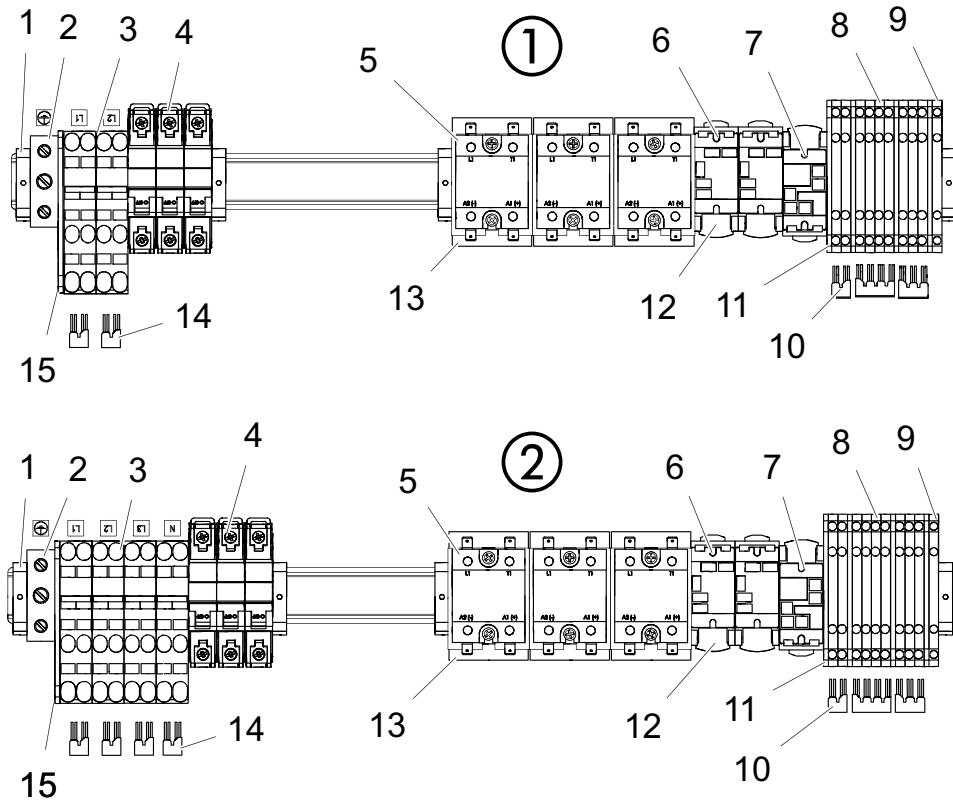
① = US (UL certified) models

② = International (CE certified) models

* = [Refer to Fasteners Page](#) for list of fasteners for this part.

Terminal Blocks

H3/H3H



ID	Part No.	Description	Qty ^①	Qty ^②
1	TM-34305	End Stop, Clip	4	4
2	TM-3782	Terminal, Ground, 35mm	1	1
3	TM-37660	T-Block, 2-Position	4	8
4	FU-39058	Circuit Breaker, 20A	3	3
5	RL-33829	Relay, 230V, 25A*	3	3
6	RE-37725	Relay, 240VAC	2	2
7	RE-37704	Relay, 12VDC	1	1
8	TM-34307	Terminal, 6mm, Spring Type, Orange	9	9
9	TM-34306	Terminal, Ground, 6mm, Spring Type	1	1
10	TM-34310	Jumper Bar, Comb	3	3
11	TM-34309	Separator	4	4
12	TM-37674	Relay Mount	3	3
13	HE-37689	Heat Sink	3	3
14	TM-37727	Jumper Bar, Comb	2	4
15	TM-37726	Separator	1	1

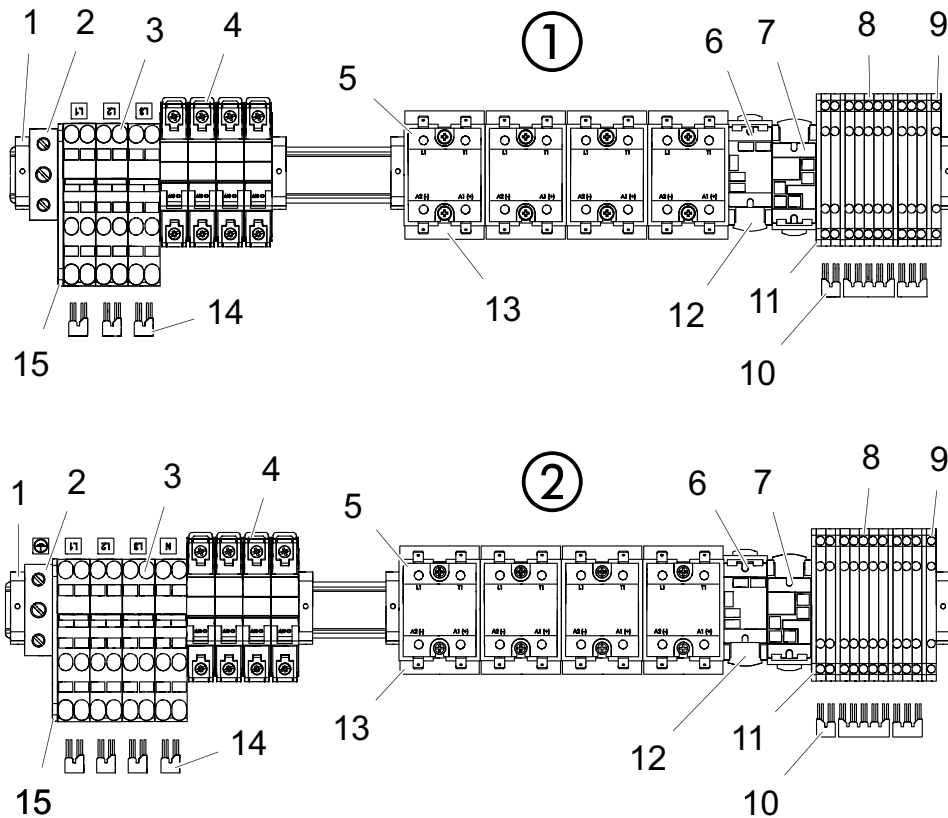
① = US (UL certified) models **NOTE:** for 3-phase models, TM-37660 quantity = 6

② = International (CE certified) models

* = [Refer to Fasteners Page](#) for list of fasteners for this part.

Terminal Blocks

H4/H4H



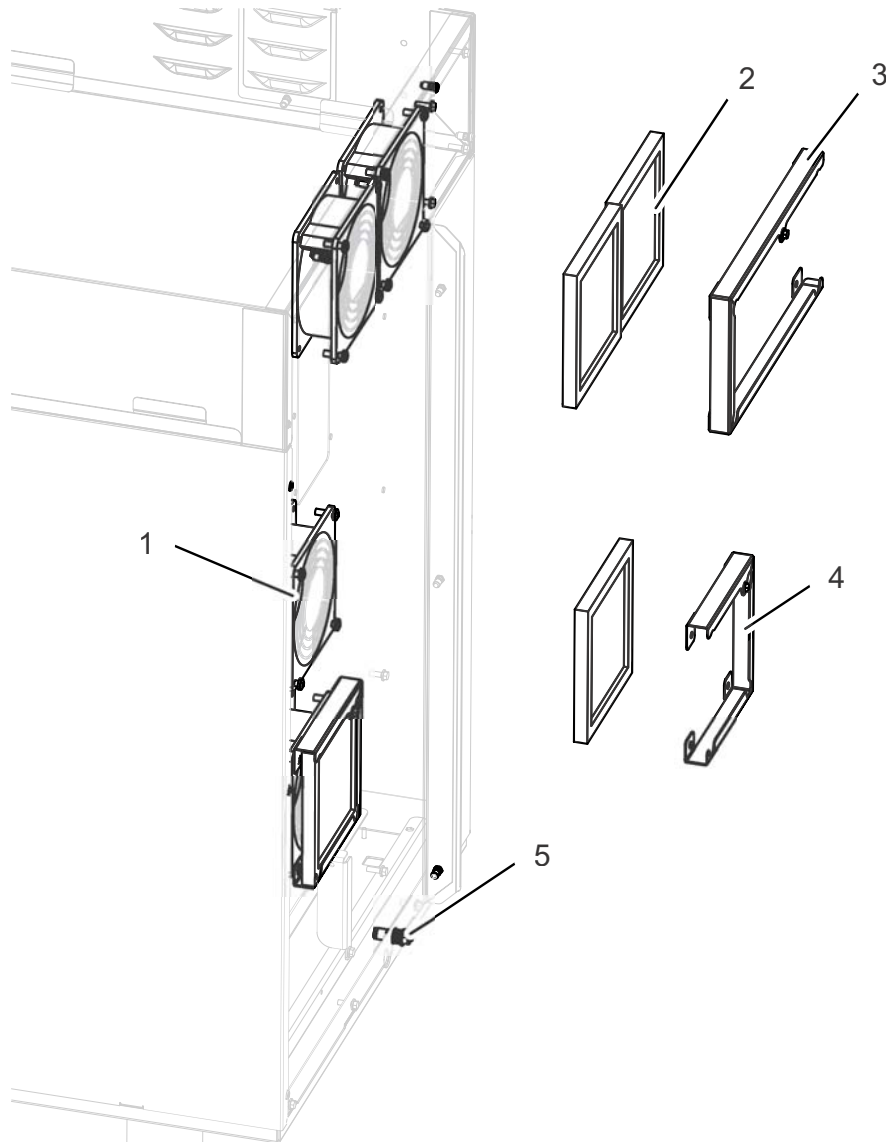
ID	Part No.	Description	Qty ^①	Qty ^②
1	TM-34305	End Stop, Clip	4	4
2	TM-3782	Terminal, Ground, 35mm	1	1
3	TM-37660	T-Block, 2-Position	6	8
4	FU-39058	Circuit Breaker, 20A	4	4
5	RL-33829	Relay, 230V, 25A*	4	4
6	RE-37725	Relay, 240VAC	1	1
7	RE-37704	Relay, 12VDC	1	1
8	TM-34307	Terminal, 6mm, Spring Type, Orange	10	10
9	TM-34306	Terminal, Ground, 6mm, Spring Type	1	1
10	TM-34310	Jumper Bar, Comb	3	3
11	TM-34309	Separator	4	4
12	TM-37674	Relay Mount	2	2
13	HE-37689	Heat Sink	4	4
14	TM-37727	Jumper Bar, Comb	3	4
15	TM-37726	Separator	1	1

① = US (UL certified) models

② = International (CE certified) models

* = [Refer to Fasteners Page](#) for list of fasteners for this part.

Rear Panel Fans and Filters All Models



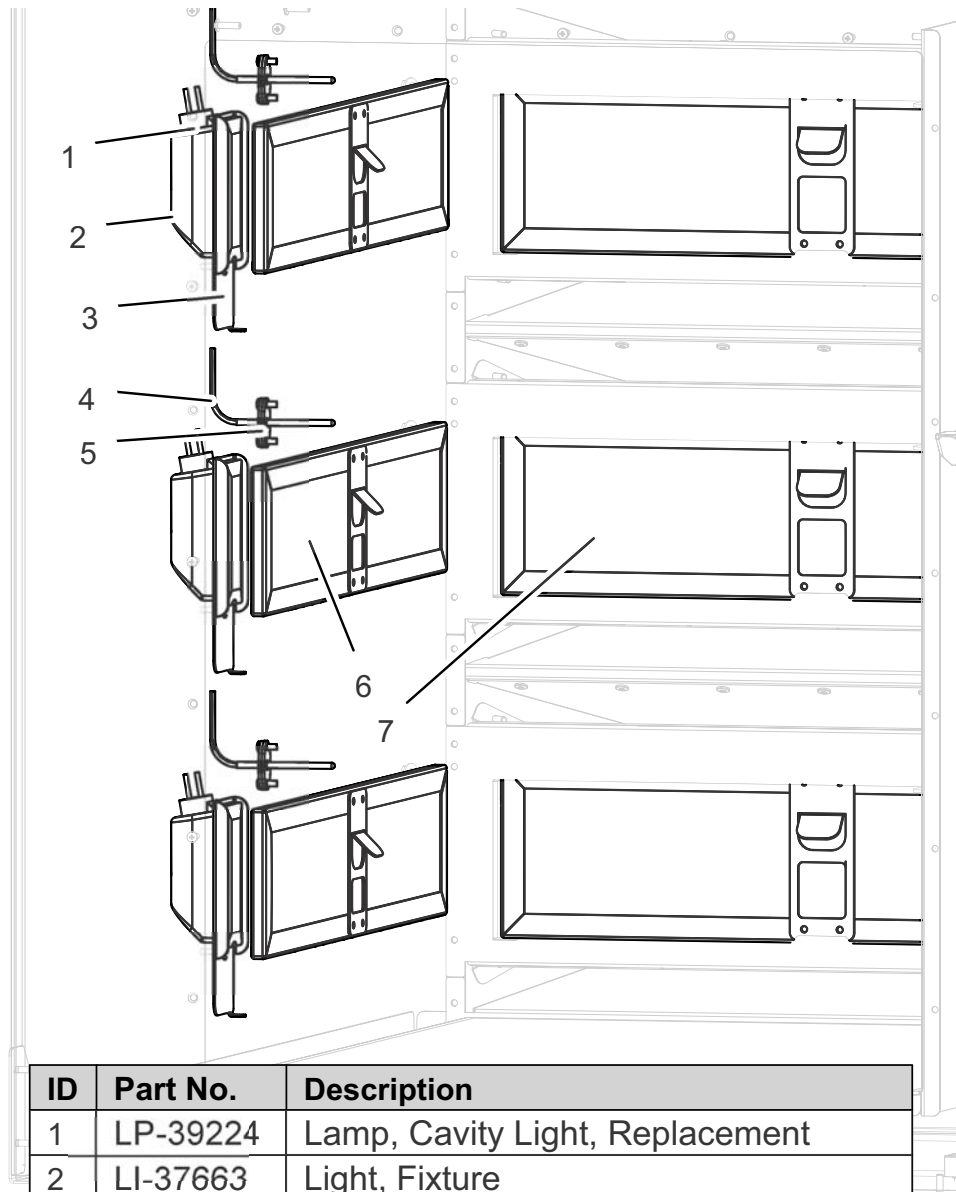
ID	Part No.	Description
1	FA-36957	Fan, 60mA, 230V, w/ Housing
2	FI-37700	Filter
3	1023498	Holder, Filter, Double
4	1023497	Holder, Filter, Single
5	NU-39369	Equipotential Ground Stud

FA-36957, GD-37653 and FI-37700 quantity: H2/H2H=3, H3/H3H=4, H4/H4H=5
 1023497 quantity: H2/H2H=1, H3/H3H=2, H4/H4H=3

* = [Refer to Fasteners Page](#) for list of fasteners for this part.

Cavity Filters, Lights and Sensors

All Models

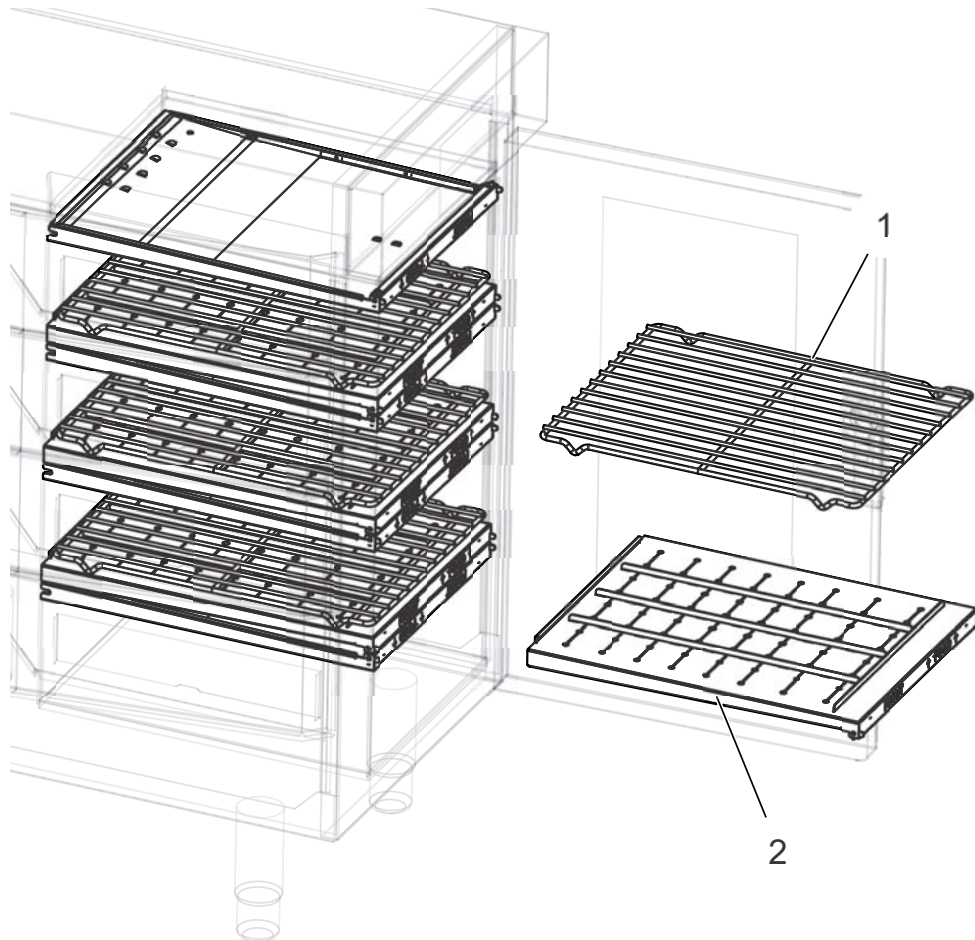


ID	Part No.	Description
1	LP-39224	Lamp, Cavity Light, Replacement
2	LI-37663	Light, Fixture
3	1023525	Bracket, Light Stiffener*
4	PR-37668	Thermocouple*
5	GS-39145	Gasket, Thermocouple
6	5024003	Filter Assembly, Side
7	5024004	Filter Assembly, Back

All parts, quantity: H2/H2H=2, H3/H3H=3, H4/H4H=4
 * = [Refer to Fasteners Page](#) for list of fasteners for this part.

Jet Plates and Racks

H2, H3, H4

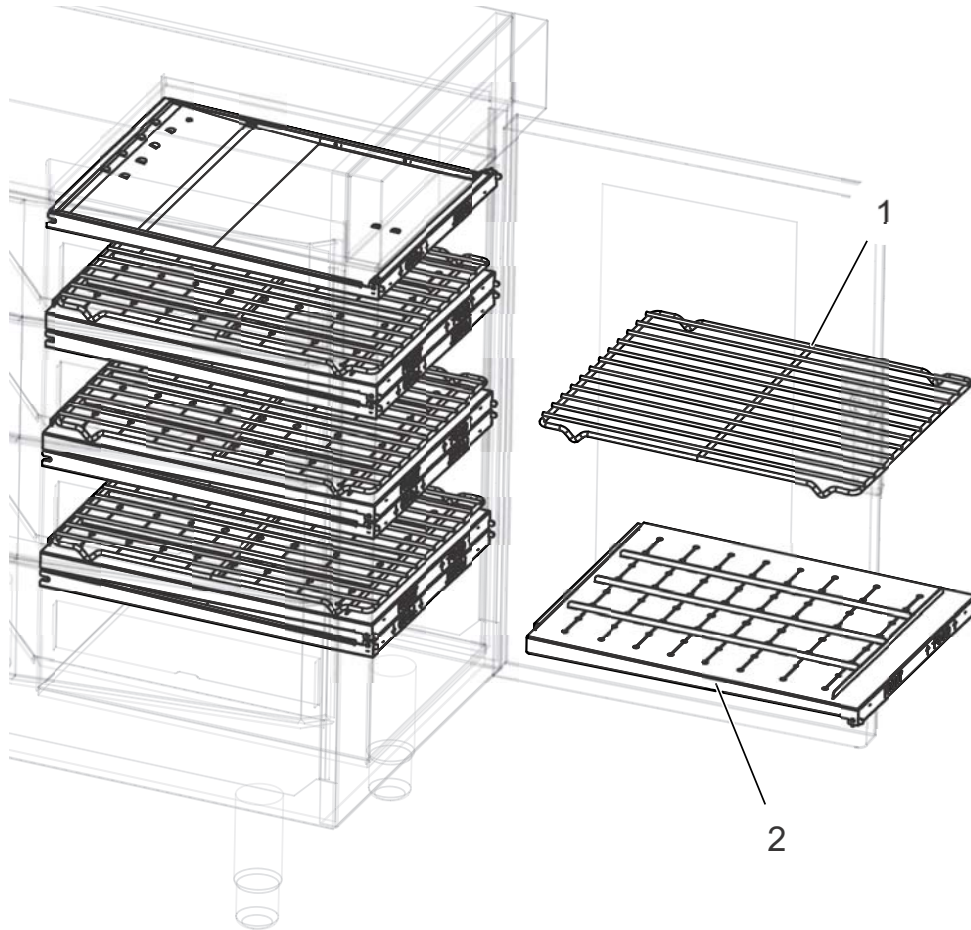


ID	Part No.	Description
1	SH-37662	Shelf, Wire
2	5025235	Jet Plate Assembly

5025235 quantity: H2=4, H3=6, H4=8
 SH-37662 quantity: H2=2, H3=3, H4=4

Jet Plates and Racks

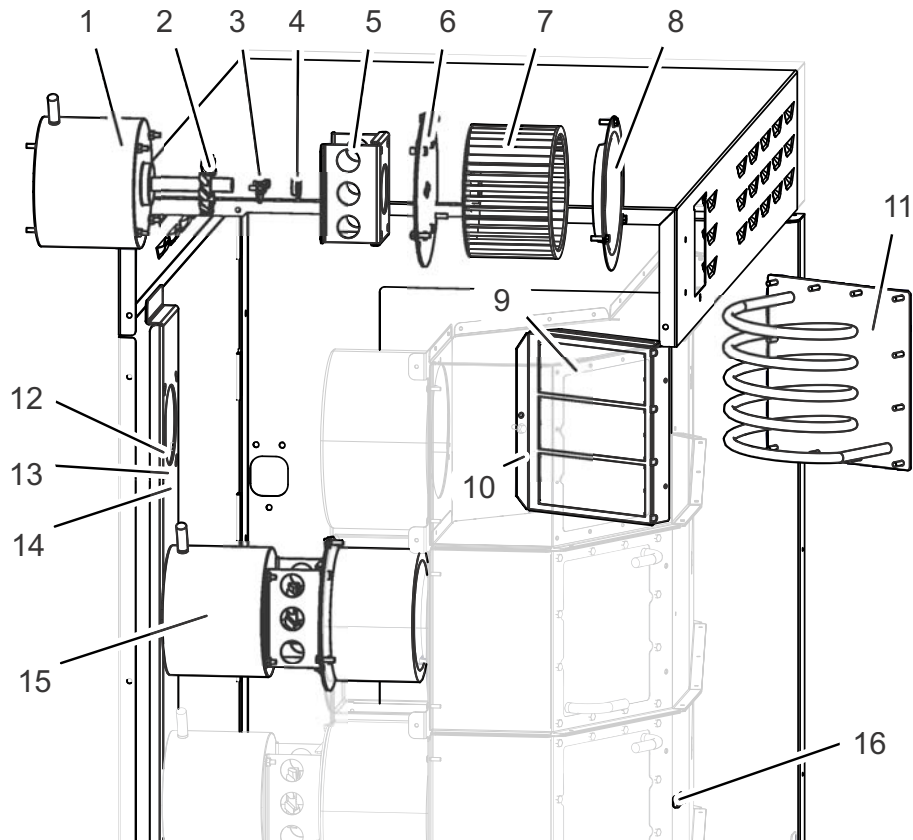
H2H, H3H, H4H



ID	Part No.	Description
1	SH-37662	Shelf, Wire
2	5025236	Jet Plate Assembly

5025236 quantity: H2H=4, H3H=6, H4H=8
 SH39077 quantity: H2H=2, H3H=3, H4H=4

Air Channel Return — Blower, Heater, Catalyst All Models

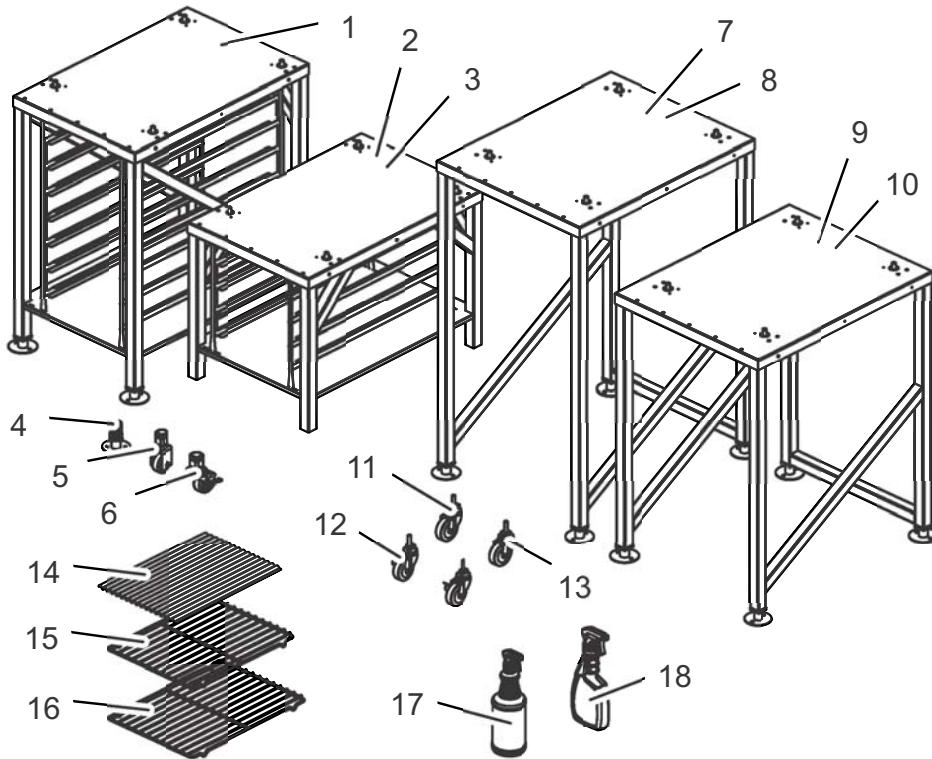


ID	Part No.	Description
1	MO-39010	Motor, Single shaft*
2	WH-37632	Blower Wheel, Radial, 12-Blade
3	1023557	Plate, Seal Retainer*
4	BU-37698	Bushing
5	1023490	Bracket, Motor Mounting*
6	1023491	Plate, Motor Mounting*
7	WH-39202	Wheel, Blower, 126mm x 76mm
8	HS-37633	Inlet Ring*
9	FI-37634	Catalytic converter
10	1023492	Bracket, Catalytic Converter*
11	EL-37664R	Convection Heater*
12	1026315	Bracket, Motor Support, H2/H2H*
13	1026980	Bracket, Motor Support, H3/H3H*
14	1026988	Bracket, Motor Support, H4/H4H*
15	5023985	Fan Motor Assembly*
16	1023476	Bracket

All parts, quantity: H2H=4, H3H=6, H4H=8

* = [Refer to Fasteners Page](#) for list of fasteners for this part.

Accessories



ID	Part No.	Description
1	5024348	Stand, Stainless Steel, 36" (915mm) Height
2	5025818	Stand, 24" (610mm) Height, with Feet
3	5025819	Stand, 24" (610mm) Height, with Casters
4	FE-2916	Foot, Adjustable
5	CS-38265	Caster, 2.5", Rigid
6	CS-38264	Caster, 2.5", Swivel with Brake
7	5025842	Stacking Package over H4/H4H (incl. 5024553)
8	5024351	Stand, Stacking, over H4/H4H
9	5025841	Stacking Package over H3/H3H (incl. 5024553)
10	5024350	Stand, Stacking, over H3/H3H
11	5024553	Caster Package, 3" (76mm), Set of 4
12	CS-24857	Caster, 3" (76mm), Swivel with Brake
13	CS-24856	Caster, 3" (76mm), Swivel
14	PA-39135	Grill Pan
15	SH-37662	Wire Rack, H2/H3/H4
16	SH39077	Wire Rack, H2H/H3H/H4h
17	CE-39136	EcoLab Greaselift Cleaner
18	CE-39137	ChemCo Dirt Buster III Cleaner

Vector™ H Series



Alto-Shaam World Headquarters

W164 N9221 Water Street, PO Box 450
Menomonee Falls, WI 53052-0450, U.S.A.
Phone 800-558-8744; +1-262-251-3800

Alto-Shaam Asia

Shanghai, China
Phone +86-21-6173 0336

Alto-Shaam Central & South America

Miami, FL USA
Phone +1-954-655-5727

Alto-Shaam France, L.L.C.

Aix en Provence, France
Phone +33(0)4-88-78-21-73

Alto-Shaam Mexico

Leon, Mexico
Phone +52 1 477-754-1305

Alto-Shaam Canada

Concord, Ontario Canada
Toll Free Phone 866-577-4484
Phone +1-905-660-6781

Alto-Shaam Middle East & Africa

Dubai, UAE
Phone +971 4 321 9712

Alto-Shaam GmbH

Bochum, Germany
Phone +49(0)234-298798-0

Alto-Shaam Russia

Moscow, Russia
Phone +7-903-793-2331