

OPERATION and CARE MANUAL



HEATED DISPLAY CASE

MODELS:

TY-96	TYSYS-96
TY-96/PR	TYSYS-96/PR
TY-96/PL	TYSYS-96/PL
TY-96/41L	TYSYS-96/4R
TY-96/41R	TYSYS-96/41R
	TYSYS-96/4L
	TYSYS-96/41L



COOK/HOLD/SERVE SYSTEMS

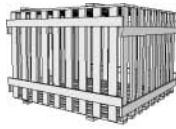


W164 N9221 Water Street • P.O. Box 450 • Menomonee Falls, Wisconsin 53052-0450 U.S.A.
PHONE: 262.251.3800 FAX: 262.251.7067 • 800.329.8744 U.S.A. ONLY WEBSITE:
800.558.8744 U.S.A./CANADA 262.251.1907 INTERNATIONAL www.alto-shaam.com

ALTO-SHAAM® HEATED DISPLAY CASES

UNPACKING and SET-UP

The Alto-Shaam Hot Display Case has been thoroughly tested, checked for calibration, and inspected to insure only the highest quality unit is provided. When you receive your display case, check for any possible shipping damage and report it at once to the delivering carrier. See *Transportation Damage and Claims* section located in this manual.



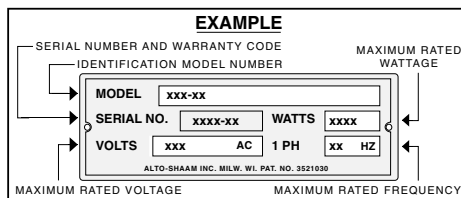
In order to maintain established National Sanitation Foundation standards, all floor models must be sealed to the floor with a R.T.V. or silastic meeting N.S.F. requirements or have 6" (152mm) unobstructed clearance beneath the unit. Counter and table units must be mounted on legs of a sufficient 4" (102mm) height to provide minimum unobstructed space beneath the unit. These legs are supplied with the unit. Warranty will become null and void if these directions are not followed.

Save all the information and instructions packed inside the display case. Complete and return the warranty card to the factory as soon as possible to assure prompt service in the event of a warranty parts and labor claim.

NOTE: Any and all claims for warranty must include the full model and serial number of the display case.

ELECTRICAL INSTALLATION

1. An identification tag is permanently mounted on the case.



2. Plug the case into a properly grounded receptacle **ONLY**. A proper receptacle or outlet configuration or permanent wiring for this unit must be installed by a licensed electrician in accordance with applicable, local electrical codes. Arcing will occur when connecting or disconnecting the display case unless all controls are in the OFF position.



**ENSURE POWER SOURCE
MATCHES VOLTAGE STAMPED
ON NAMEPLATE OF UNIT**

3. **REGARDING INTERNATIONAL STANDARD UNITS:** If the unit is not equipped with flexible cord with plug, an all-pole country approved disconnection device which has a contact separation of at least 3mm in all poles must be incorporated in the fixed wiring for disconnection. When using a cord without a plug, the green/yellow conductor shall be connected to the terminal which is marked with the ground symbol. If a plug is used, the socket outlet must be easily accessible. If the power cord needs replacement, use a similar one obtained from the distributor.

PROCEDURES

1. **DO NOT ADD WATER TO THE DISPLAY CASE**
Halo Heat display cases maintain a constant but gentle temperature and eliminate much of the moisture loss associated with conventional display cases. Because of this gentle heat, it is not necessary to add water to the unit. As a matter of fact, **adding water is not recommended** since water will accelerate the deterioration of the product and may damage the unit.
2. **PLACE DIVIDERS and SERVING PANS IN CASE**
Refer to the pan layout diagrams for different types of pan accommodations. A complete pan configuration layout is located in this manual. **It is VERY important to note**, no matter what type of pan configuration you choose, **pan divider bars with the desired pans must be in place prior to preheating the unit**. If air gaps are not closed, heat distribution will be uneven, and uniform temperature will be difficult to maintain. Additional pan divider bars are available if needed.
3. **TURN ON DISPLAY LIGHTS AND SET THE THERMOSTAT(s) AT NUMBER "10" TO PREHEAT**
It is recommended that the bulbs be warmed for a minimum of 15 minutes before use. An indicator light will illuminate when the thermostat(s) is (are) turned "ON." The indicator(s) will remain lit as long as the unit is preheating or calling for heat. The unit should be preheated, at the number 10 setting, for a minimum of thirty minutes before loading the case with food. When preheating is completed, or whenever the unit reaches any temperature set by the operator between 1 and 10, the indicator light(s) will go "OUT".
4. **LOAD HOT FOODS INTO THE CASE**
Be certain only hot food is transferred into the case. Before loading food into the case, use a pocket-type meat thermometer to make certain all products have reached an internal temperature of 140° to 160° F (60° to 71°C). If any food product is not at proper serving temperature, use a Halo Heat cooking and holding oven, set at 250° to 275°F (121° to 135°C), or use a Combitherm oven to bring the product within the correct temperature range.
 - ✓ Use hand protection when handling hot items.
 - ✓ Be certain only hot PREPACKAGED foods in appropriate heat tested containers are used in the self service section of the display case.
 - ✓ Do not stack food containers.
5. **LOAD HOT FOODS INTO THE CASE**
After all product is loaded into the unit and the doors are closed, reset the thermostat. For fully enclosed cases, reset the thermostat to number 8. For self-service sections, maintain the thermostat at number 9 or 10. Cases with a self-service section should be set at number 9 or 10 for the self-service section only. *These settings will not necessarily be final.* Proper temperature range depends on the type of products and the quantities being held (140° to 160° F or 60° to 71°C), so it is necessary to periodically use a pocket thermometer to check each item to make certain the correct temperatures are being maintained. Normally this will require a thermostat setting between 6 and 8 in fully enclosed cases. Self-service cases or sections will always require a higher thermostat setting.

6. MULTIPLE TIMER/PROBE OPTION

A multiple timer/probe system is available for this case. This system is a timer-based food management system, utilized with HACCP programs, that ensures proper rotation, food integrity, safety and quality. The multiple-timer station keys correspond to various pan locations in the display case. Please contact the factory for further information.

7. PLACEMENT OF FOOD PROBE (OPTIONAL)

If the unit is equipped with the probe accessory, wipe each probe and probe tip with a disposable alcohol pad to clean and sanitize before using. If the probe is left in its bracket, the LED temperature display will indicate the ambient air temperature inside the case. To place a probe into food kept in the case, remove the probe from the bracket and push the probe tip halfway into the product, positioning the tip at the center of the food mass. If placing into solid foods such as meat roast or poultry breasts, push the probe in from a straight downward position or in from the side to the center position.

If placing into a semi-liquid or liquid product, the probe cable will probably need to be secured to keep the probe positioned properly. Do not let the probe tip touch the edges or side of the container. Tape the probe cable to the lip or edge of the container. Wipe each probe tip with a clean paper towel to remove food debris after each use. Follow by wiping probes with a disposable alcohol pad. Return each probe to the proper bracket position.

8. SERVE FRESH HOT FOOD

Keep hot foods looking fresh. Occasionally stir or rotate foods as needed. Serve products in the proper package or container. Keep doors closed after serving. Wipe spills immediately to assure maximum eye appeal and to ease end of the day cleanup.

CARE and CLEANING

THOROUGHLY CLEAN THE DISPLAY CASE DAILY

1. Turn lights and adjustable thermostat(s) to the "OFF" position. Remove, cover or wrap, and store unused products under refrigeration.
2. Clean the interior metal surfaces of the cabinet with a damp cloth and any good alkaline or alkaline chlorinated based commercial detergent or grease solvent at the recommended strength. Use a plastic scouring pad or oven cleaner for difficult areas. Avoid the use of abrasive cleaning compounds, chloride based cleaners, or cleaners containing quaternary salts. Rinse carefully to remove all residue and wipe dry.



NO SCRAPERS



NO STEEL PADS

NOTE: Never use hydrochloric acid (muriatic acid) on stainless steel.

3. Clean the glass with glass cleaner.
4. Maintain the protective film coating on polished stainless steel by cleaning the exterior with a cleaner recommended

for stainless steel. Spray the cleaning agent on a clean cloth and wipe with the grain of the stainless steel.

Remember to follow appropriate state or local health (hygiene) regulations regarding all applicable cleaning and sanitation requirements for food service equipment.


DISCONNECT THE UNIT FROM THE POWER SOURCE BEFORE CLEANING OR SERVICING.



AT NO TIME SHOULD THE CASE BE FLOODED WITH WATER OR LIQUID SOLUTION. NEVER STEAM CLEAN. DO NOT USE WATER JET TO CLEAN. SEVERE DAMAGE OR ELECTRICAL HAZARD COULD RESULT, VOIDING THE WARRANTY.


CLEAN THE PROBES DAILY

Remove all food soil from probes. Wipe entire probe and cable assembly with warm detergent solution and a clean cloth. Remove detergent by wiping each probe and cable with clean rinse water and a cloth. Wipe probes with disposable alcohol pad or sanitizing solution recommended for food contact surfaces. Allow probe and cable to air dry in probe holding bracket.




Hood glass extended to the full upright position is stabilized through the use of gas struts designed for the full load bearing weight. These struts could weaken or fail due to wear, environmental conditions or aging. Operators should be aware of any decrease in effort to lift the hood and initiate an immediate gas strut safety check. **DO NOT LIFT THE HOOD IN THIS CONDITION.**

SAFETY ALERT



This unit's performance has been optimized using the factory provided bulbs. These bulbs should be replaced with an exact replacement or with a factory recommended replacement. These bulbs have been treated to resist breakage and must be replaced with similarly treated bulbs in order to maintain compliance with NSF standards. Do not over-tighten bulbs in their receptacles as this can cause damage to the bulb filament.



SANITATION GUIDELINE

Food flavor and aroma are usually so closely related that it is difficult, if not impossible, to separate them. There is also an important, inseparable relationship between cleanliness and food flavor. Cleanliness, top operating efficiency, and appearance of equipment contribute considerably to savory, appetizing foods. Good equipment that is kept clean, works better and lasts longer.

Most food imparts its own particular aroma and many foods also absorb existing odors. Unfortunately, during this absorption, there is no distinction between **GOOD** and **BAD** odors. The majority of objectionable flavors and odors troubling food service operations are caused by bacteria growth. Sourness, rancidity, mustiness, stale or other **OFF** flavors are usually the result of germ activity.

The easiest way to insure full, natural food flavor is through comprehensive cleanliness. This means good control of both visible soil (dirt) and invisible soil (germs). A thorough approach to sanitation will provide essential cleanliness. It will assure an attractive appearance of equipment, along with maximum efficiency and utility. More importantly, a good sanitation program provides one of the key elements in the prevention of food-borne illnesses. A controlled holding environment for prepared foods is just one of the important factors involved in the prevention of food-borne illnesses. Temperature monitoring and control during receiving, storage, preparation, and the service of foods are of equal importance.

The most accurate method of measuring safe temperatures of both

INTERNAL FOOD PRODUCT TEMPERATURES		
HOT FOODS		
DANGER ZONE	40° TO 140°F	(4° TO 60°C)
CRITICAL ZONE	70° TO 120°F	(21° TO 49°C)
SAFE ZONE	140° TO 165°F	(60° TO 74°C)
COLD FOODS		
DANGER ZONE	ABOVE 40°F	(ABOVE 4°C)
SAFE ZONE	36°F TO 40°F	(2°C TO 4°C)
FROZEN FOODS		
DANGER ZONE	ABOVE 32°F	(ABOVE 0°C)
CRITICAL ZONE	0° TO 32°F	(-18° TO 0°C)
SAFE ZONE	0°F OR BELOW	(-18°C OR BELOW)

hot and cold foods is by internal product temperature. A quality thermometer is an effective tool for this purpose, and should be routinely

used on all products that require holding at a specific temperature.

A comprehensive sanitation program should focus on the training of staff in basic sanitation procedures. This includes personal hygiene, proper handling of raw foods, cooking to a safe internal product temperature, and the routine monitoring of internal temperatures from receiving through service.

Most food-borne illnesses can be prevented through proper temperature control and a comprehensive program of sanitation. Both these factors are important to build quality service as the foundation of customer satisfaction. Safe food handling practices to prevent food-borne illness is of critical importance to the health and safety of your customers. HACCP, an acronym for Hazard Analysis (at) Critical Control Points, is a quality control program of operating procedures to assure food integrity, quality, and safety. Taking steps necessary to augment food safety practices are both cost effective and relatively simple. While HACCP guidelines go far beyond the scope of this manual, additional information is available by contacting the USDA/FDA Food-borne Illness Education Information Center at (301)504-6803.

GENERAL HOLDING GUIDELINE

Chefs, cooks and other specialized food service personnel employ varied methods of cooking. Proper holding temperatures for a specific food product must be based on the moisture content of the product, product density, volume, and proper serving temperatures. Safe holding temperatures must also be correlated with palatability in determining the length of holding time for a specific product.

Halo Heat maintains the maximum amount of product moisture content without the addition of water, water vapor, or steam. Maintaining maximum natural product moisture preserves the natural flavor of the product and provides a more genuine taste. In addition to product moisture retention, the gentle properties of Halo Heat maintain a consistent temperature throughout the cabinet without the necessity of a heat distribution fan, thereby preventing further moisture loss due to evaporation or dehydration.

In an enclosed holding environment, too much moisture content is a condition which can be relieved. A product achieving extremely high temperatures in preparation must be allowed to decrease in temperature before being placed in a controlled holding atmosphere. If the product is not allowed to decrease in temperature, excessive condensation will form increasing the moisture content on the outside of the product.

Most Halo Heat Holding Equipment is provided with a thermostat control between 60° and 200°F (16° to 93°C). If the unit is equipped with vents, close the vents for moist holding and open the vents for crisp holding.

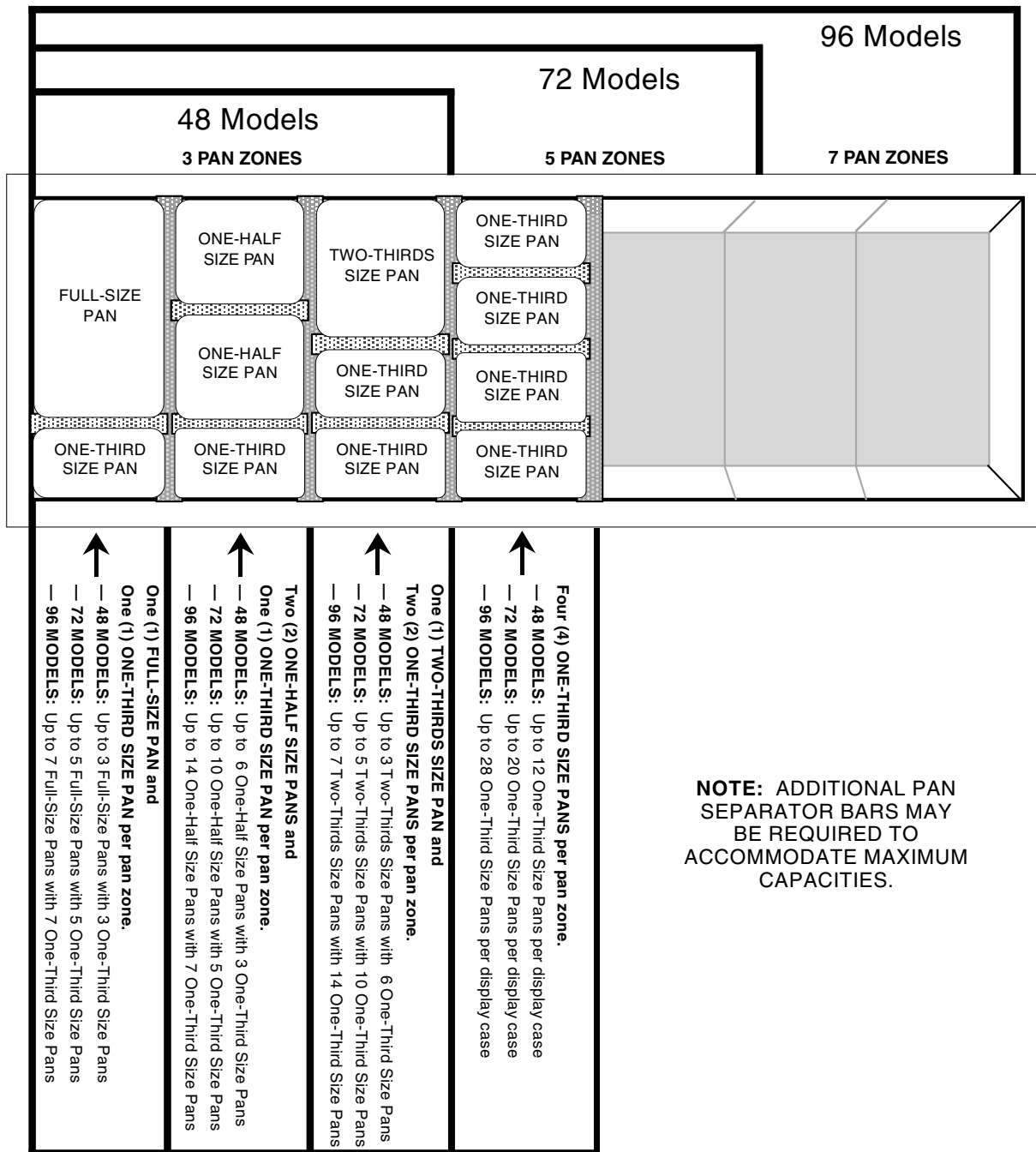
If the unit is equipped with a thermostat indicating a range of between 1 and 10, use a metal-stemmed indicating thermometer to measure the internal temperature of the product(s) being held. Adjust the thermostat setting to achieve the best overall setting based on internal product temperature.

HOLDING TEMPERATURE RANGE		
	FAHRENHEIT	CELSIUS
MEAT		
BEEF ROAST — Rare	140°F	60°C
BEEF ROAST — Med/Well Done	160°F	71°C
BEEF BRISKET	160° — 175°F	71° — 79°C
CORN BEEF	160° — 175°F	71° — 79°C
PASTRAMI	160° — 175°F	71° — 79°C
PRIME RIB — Rare	140°F	60°C
STEAKS — Broiled/Fried	140° — 160°F	60° — 71°C
RIBS — Beef or Pork	160°F	71°C
VEAL	160° — 175°F	71° — 79°C
HAM	160° — 175°F	71° — 79°C
PORK	160° — 175°F	71° — 79°C
LAMB	160° — 175°F	71° — 79°C
POULTRY		
CHICKEN — Fried/Baked	160° — 175°F	71° — 79°C
DUCK	160° — 175°F	71° — 79°C
TURKEY	160° — 175°F	71° — 79°C
GENERAL	160° — 175°F	71° — 79°C
FISH/SEAFOOD		
FISH — Baked/Fried	160° — 175°F	71° — 79°C
LOBSTER	160° — 175°F	71° — 79°C
SHRIMP — Fried	160° — 175°F	71° — 79°C
BAKED GOODS		
BREADS/ROLLS	120° — 140°F	49° — 60°C
MISCELLANEOUS		
CASSEROLES	160° — 175°F	71° — 79°C
DOUGH — Proofing	80° — 100°F	27° — 38°C
EGGS — Fried	150° — 160°F	66° — 71°C
FROZEN ENTREES	160° — 175°F	71° — 79°C
HORS D'OEUVRES	160° — 180°F	71° — 82°C
PASTA	160° — 180°F	71° — 82°C
PIZZA	160° — 180°F	71° — 82°C
POTATOES	180°F	82°C
PLATED MEALS	180°F	82°C
SAUCES	140° — 200°F	60° — 93°C
SOUP	140° — 200°F	60° — 93°C
VEGETABLES	160° — 175°F	71° — 79°C

THE HOLDING TEMPERATURES LISTED ARE SUGGESTED GUIDELINES.

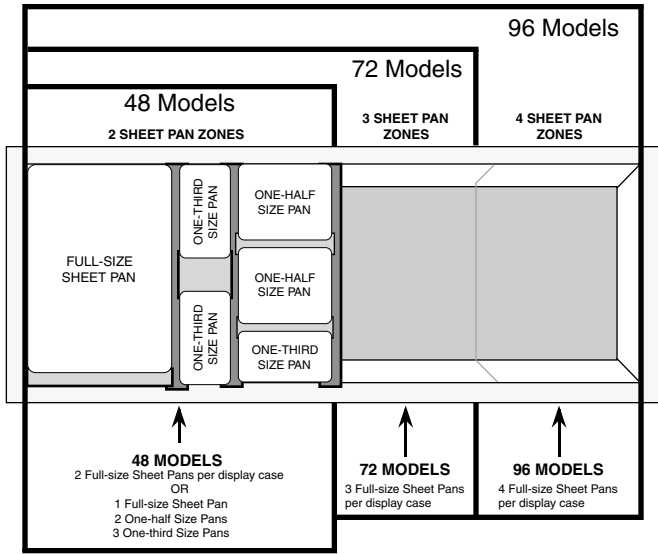
PAN CONFIGURATIONS

DISPLAY CASES



STANDARD PAN DIVIDER & SEPARATOR BARS							
ITEM NO.	DESCRIPTION	SIZE (W x L)		MODELS			
				48	72	96	
11046	SHEET PAN DIVIDER BAR	1-3/8"	27-13/16"	(35mm x 706mm)	1	—	—
11047	ONE-THIRD SIZE PAN	3-1/4"	7"	(83mm x 178mm)	1	—	—
11317	FULL, HALF & THIRD SIZE - LONG	1"	27-7/8"	(25mm x 708mm)	2	4	6
11318	FULL, HALF & THIRD SIZE - SHORT	1"	12-3/4"	(25mm x 324mm)	9	15	21
11319	SHEET PAN DIVIDER BAR	3-1/4"	27-3/16"	(83mm x 706mm)	1	—	—
11320	SHEET PAN DIVIDER BAR	1-3/4"	17-3/4"	(45mm x 451mm)	2	3	4
11357	SHEET PAN DIVIDER BAR	5-29/32"	27-13/16"	(150mm x 706mm)	—	2	3
11732	SHEET PAN FILLER	3-3/4"	27-13/16"	(95mm x 706mm)	—	—	1
1865	GASTRONORM DIVIDER (220V)	7/8"	27-7/8"	(22mm x 708mm)	2	4	6

SHEET PAN CONFIGURATIONS • HOT DISPLAY CASES



SAFETY ALERT

This unit's performance has been optimized using the factory provided bulbs. These bulbs should be replaced with an exact replacement or with a factory recommended replacement. These bulbs have been treated to resist breakage and must be replaced with similarly treated bulbs in order to maintain compliance with NSF standards. Do not over-tighten bulbs in their receptacles as this can cause damage to the bulb filament.

CAUTION

CAUTION

ACCESSORIES

- Custom Panel, End Panel & Bumper Colors **FACTORY QUOTE**
- End Panels
 - Black Patch [PE-22708](#)
 - Solid Black Patch, Right Hand [PE-23674](#)
 - Solid Black Patch, Left Hand [PE-23675](#)
- End Patch/Kiosk Assembly Kit, s/s, TY ONLY 14600
- Bulbs
 - 100 Watt, 130V STANDARD, HALOGEN [LP-33592](#)
 - 100 Watt, 130V, BLUE TINT [LP-33253](#)
 - 100 Watt, 230V STANDARD, HALOGEN [LP-3384](#)
- Carvery Station, single well [55299](#)
- Independent Circuit Cordset Pkg. TY 120V ONLY 14221
- Independent Load Center Pkg. TYSYS 120V ONLY 14220
- NOT CSA APPROVED
- Interior Ambient Temperature Gauge [GU-33384](#)
- Multiple Timer/Probe Package **CONTACT FACTORY**
- Pan, Self-Serve, Insert, 4" DEEP (TY-96/4R, 4L) 14988
- Product Probe Package: 120V ONLY
 - TY-96 5297
 - TY-96/PL, /PR. 5296
 - TY-96/4L, /4R, /41L, /41R. [5295](#)
- Reflective Tempered Glass Case End Panes
 - RIGHT-HAND [GL-22539](#)
 - LEFT-HAND [GL-22538](#)
- Scale Platform Package 120V ONLY [14102](#)
- Stainless Steel Front Panel 12646
- Tempered Glass End Spacer [GL-22719](#)

CAUTION

Hood glass extended to the full upright position is stabilized through the use of gas struts designed for the full load bearing weight. These struts could weaken or fail due to wear, environmental conditions or aging. Operators should be aware of any decrease in effort to lift the hood and initiate an immediate gas strut safety check. **DO NOT LIFT THE HOOD IN THIS CONDITION.**

CAUTION

Cable Heating Service Kits for TY-96/PL & TY-96/PR and TYSYS-96/PL or PR

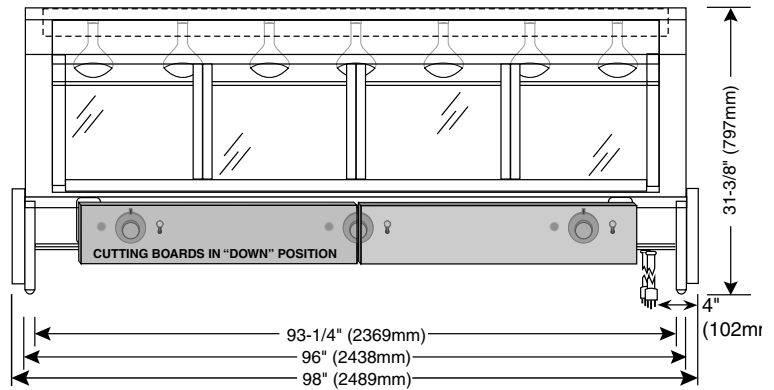
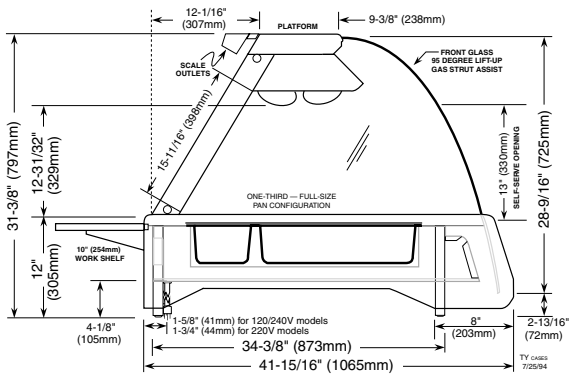
	#4881 (full-service)	#4878 (self-service)
includes:		
CB-3045 Cable Heating Element	210'	72'
CR-3226 Ring Connector	12	4
IN-3488 Insulation Corner	1'	1'
BU-3105 Shoulder Bushing	12	4
BU-3106 Cup Bushing	12	4
SL-3063 Insulating Sleeve	12	4
TA-3540 Electrical Tape	1 roll	1 roll
NU-2215 10x32 Hex Nut	24	8
ST-2439 Stud	12	4

CAUTION

At no time should the inside or outside of the cabinet be flooded with water or liquid solution. **NEVER STEAM CLEAN. Do not use water jet to clean.** Severe damage or electrical hazard could result, voiding the warranty.

CAUTION

TY-96 HOT DISPLAY CASE

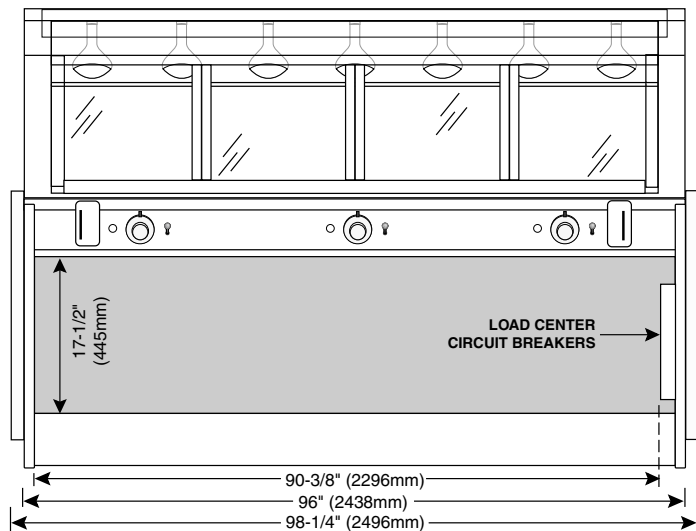
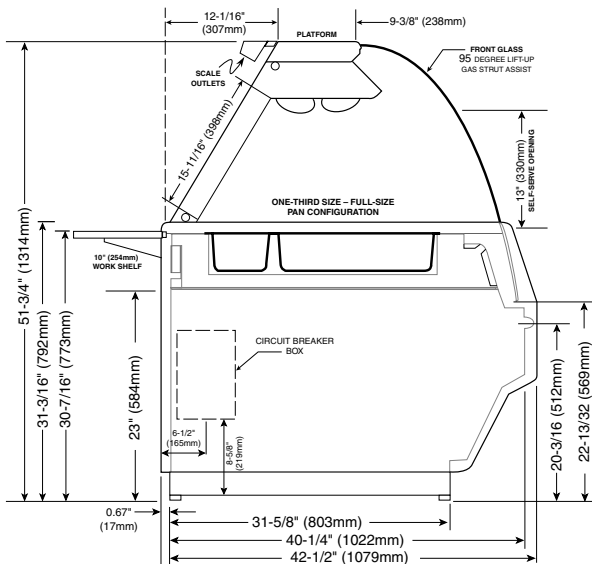


Cable Heating Service Kit No. 14228 for TY-96 & TYSYS-96

includes:

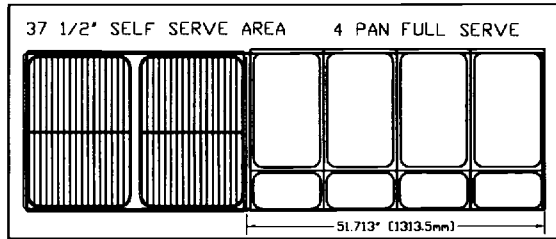
CB-3045	Cable Heating Element	265 feet
CR-3226	Ring Connector	8
IN-3488	Insulation Corner	1 foot
BU-3105	Shoulder Bushing	8
BU-3106	Cup Bushing	8
SL-3063	Insulating Sleeve	8
TA-3540	Electrical Tape	1 roll
NU-2215	10x32 Hex Nut	32
ST-2439	Stud	8

TYSYS-96 HOT DISPLAY CASE

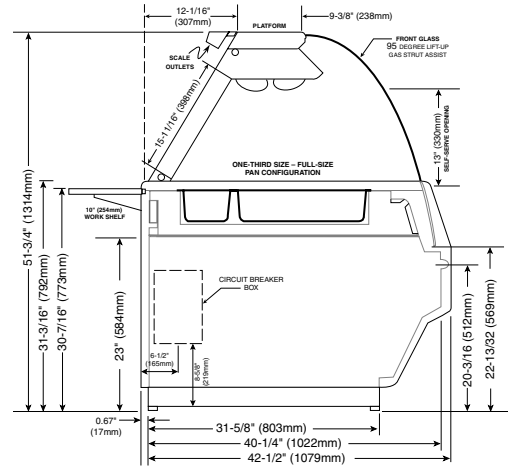
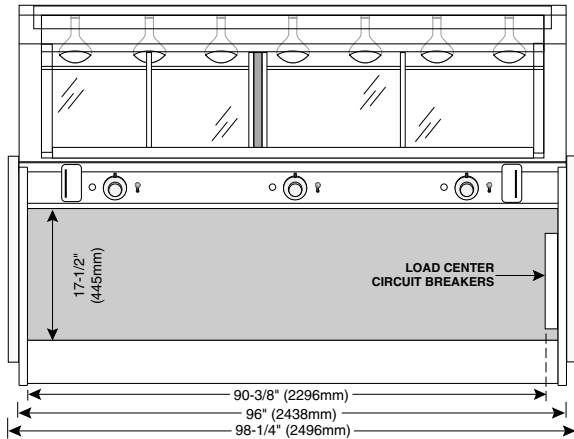


TYSYS-96/41R

- CUSTOMER SIDE -

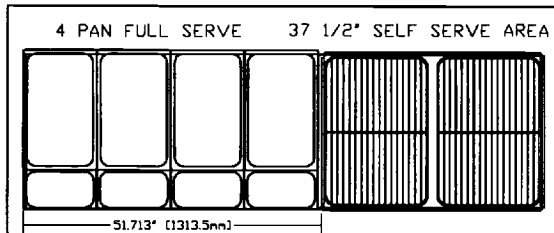


- OPERATER SIDE -

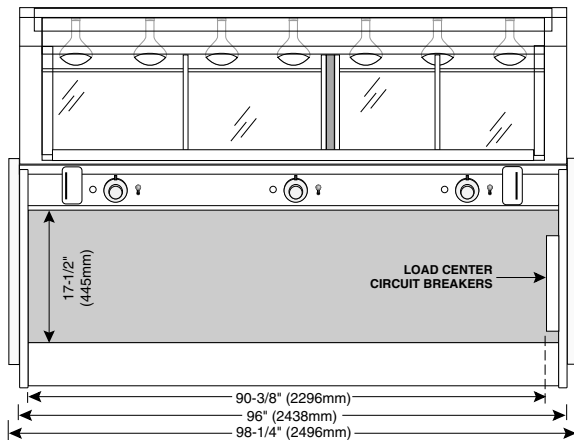


TYSYS-96/41L

- CUSTOMER SIDE -



- OPERATER SIDE -



Cable Heating Service Kit No. 14228 for TYSYS-96/4L & TYSYS-96/4R TYSYS-96/41L & TYSYS-96/41R

includes:

CB-3045	Cable Heating Element	265 feet
CR-3226	Ring Connector	8
IN-3488	Insulation Corner	1 foot
BU-3105	Shoulder Bushing	8
BU-3106	Cup Bushing	8
SL-3063	Insulating Sleeve	8
TA-3540	Electrical Tape	1 roll
NU-2215	10x32 Hex Nut	32
ST-2439	Stud	8

TY-96

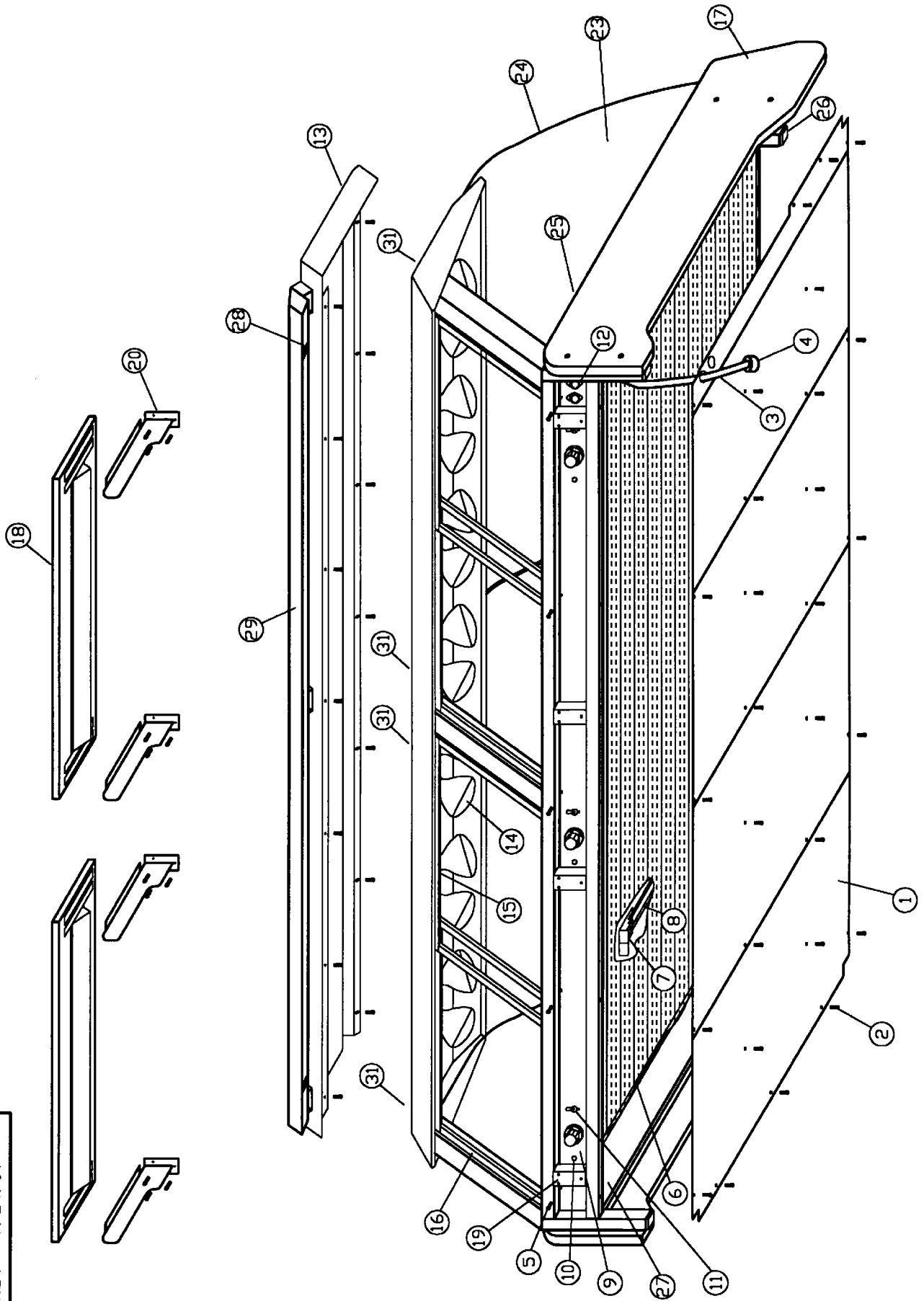
1-15-01	PART DESCRIPTION	QTY	A/S PT NO.
1.	END PANEL BOTTOM	1	13028
	END PANEL BOTTOM, 230V	1	13986
	4' (1219mm) RIGHT-HAND BOTTOM PANEL	1	13029
	8' (2438mm) BOTTOM PANEL	1	13032
	6' (1829mm) BOTTOM PANEL	1	13031
	4' (1219mm) LEFT-HAND BOTTOM PANEL	1	13030
2.	8-32x1/2" S/S TRUSS HEAD SCREWS	29	SC-2425
	8-32x1/4" S/S TRUSS HEAD SCREWS	2	SC-2459
3.	CORD, 120/240V	1	CD-3987
	CORD, 230V, NO PLUG	1	CD-33489
4.	PLUG, 120/240V	1	PG-3988
5.	CONTROL PANEL MOUNTING SCREWS	5	SC-2459
6.	INSULATION 1.5"x25.5"x120" (38mmx648mmx3048mm)	2.5	IN-22364
7.	CABLE CONNECTION HARDWARE		
8.	HEATING CABLE, 264' (80467mm)		CB-3045
9.	THERMOSTAT	3	TT-3498
	THERMOSTAT KNOB	3	KN-3473
10.	INDICATOR LIGHT	3	LI-3025
	INDICATOR LIGHT, 230V	3	LI-3951
	INDICATOR LIGHT MOUNTING NUT	3	NU-3335
11.	BULB SWITCH	3	SW-3616
12.	FUSEHOLDER, 120/240V	2	FU-33041
	INCLUDES:		
	FUSE, 15 AMP	2	FU-3775
	FUSEHOLDER MOUNTING SCREWS	4	SC-2077
13.	TOP	1	4449
	TOP MOUNTING SCREWS	7	SC-2425
	TOP MOUNTING SCREWS	7	SC-2459
14.	BULB	14	LP-33592
	BULB, 230V	14	LP-3384
15.	BULB SOCKETS	14	RP-3952
	BULB SOCKETS, 230V	14	RP-3955
16.	DOOR ASSEMBLY	1	DR-22482
	INCLUDES:		
	LEFT HAND GLASS DOOR - IN	2	DR-22482A
	RIGHT HAND GLASS DOOR - OUT	2	DR-22482B
	TOP TRACK	2	TK-23750
	BOTTOM TRACK, 8' (2438mm)	2	TK-24267
	GUIDES #44049	16	DR-22480F
	DOOR BUMPER ASSEMBLY	2	DR-22480G
17.	END PANEL, WHITE	2	PE-22585
18.	CUTTING BOARD ASSEMBLY	2	4016
19.	CUTTING BOARD BRACKET (BASE)	4	12069
	CUTTING BOARD BRACKET MTG. SCREWS	12	SC-24520
20.	CUTTING BOARD BRACKET	4	BT-2342
23.	END GLASS	2	GL-22479
	END GLASS GASKET: 4' (1219mm)	1	GS-22547
24.	FRONT GLASS	2	GL-22477
25.	PAN DIVIDER BARS (not shown)		
	FULL/HALF/THIRD (LONG BAR)	6	11317
	FULL/HALF/THIRD (SHORT BAR)	21	11318
	SHEET PAN	4	11320
	S-PAN DIVIDER (LONG)	3	11357
	SHEET PAN FILLER BAR: 3-3/4" (95mm)	1	11732
26.	ADJUSTABLE LEGS	4	LG-22686
27.	TERMINAL BLOCK	1or2	BK-3597
28.	SNAP-IN RECEPTACLES, FOR SCALE, 120/240V	2	RP-3396
	RECEPTACLE FUSE, 15A, 120/240V	1	FU-33351
	RECEPTACLE FUSEHOLDER, 15A	1	FU-33352
29.	OUTLET HOUSING COVER	1	4981
30.	8' PROBE PACKAGE OPTION (not shown) 120/240V	1	5297
31.	FRONT GLASS STRUTS	4	SU-22702
32.	OPTION (not shown) *NOT CSA APPROVED		
	INDEPENDENT CIRCUIT CORDSET 120/240V	1	14221
	INDEPENDENT CIRCUIT CORDSET 230V	1	14222

TYSYS-96

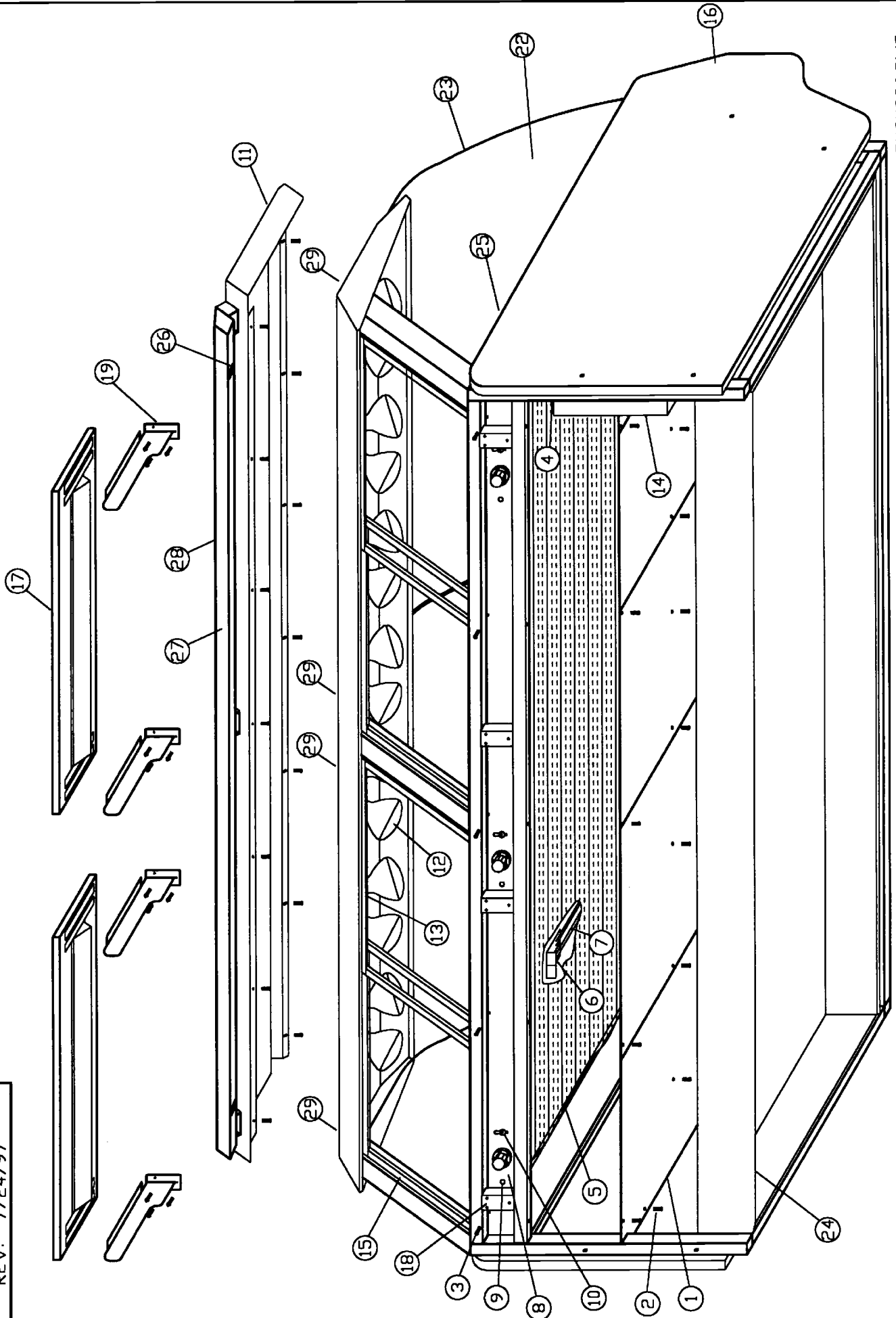
12-22-00	PART DESCRIPTION	QTY	A/S PT NO.
1.	END PANEL BOTTOM	1	13028
	4' (1219mm) RIGHT-HAND BOTTOM PANEL	1	13029
	8' (2438mm) BOTTOM PANEL	1	13032
	6' (1829mm) BOTTOM PANEL	1	13031
	4' (1219mm) LEFT-HAND BOTTOM PANEL	1	13030
2.	8-32x1/2" S/S TRUSS HEAD SCREWS	29	SC-2425
	8-32x1/4" S/S TRUSS HEAD SCREWS	2	SC-2459
3.	CONTROL PANEL MOUNTING SCREWS	5	SC-2459
4.	CONDUIT TUBING: .7' (213mm)	2	TU-3874
5.	INSULATION 1.5"x25.5"x120" (38mmx648mmx3048mm)	2.5	IN-22364
6.	CABLE CONNECTION HARDWARE		
7.	HEATING CABLE, 264' (80467mm)		CB-3045
8.	THERMOSTAT	3	TT-3498
	THERMOSTAT KNOB	3	KN-3473
9.	INDICATOR LIGHT	3	LI-3025
	INDICATOR LIGHT, 230V	3	LI-3951
	INDICATOR LIGHT MOUNTING NUT	3	NU-3335
10.	BULB SWITCH	3	SW-3616
11.	TOP	1	4449
	TOP MOUNTING SCREWS	7	SC-2425
	TOP MOUNTING SCREWS	7	SC-2459
12.	BULB	14	LP-33592
	BULB, 230V	14	LP-3384
13.	BULB SOCKET	14	RP-3952
	BULB SOCKET, 230V	14	RP-3955
14.	CIRCUIT BOX	1	CI-3906
	INCLUDES: BREAKER, 15 AMP	2	CI-33071
	BREAKER, 30 AMP	2	CI-3908
	GROUND BAR KIT	1	CI-3878
15.	DOOR ASSEMBLY	1	DR-22482
	INCLUDES: LEFT HAND GLASS DOOR - IN	2	DR-22482A
	RIGHT HAND GLASS DOOR - OUT	2	DR-22482B
	TOP TRACK	2	TK-23750
	BOTTOM TRACK, 8' (2438mm)	2	TK-24267
	GUIDES #44049	16	DR-22480F
	DOOR BUMPER ASSEMBLY	2	DR-22480G
16.	END PANEL, WHITE	2	PE-22493
17.	CUTTING BOARD ASSEMBLY	2	4016
18.	CUTTING BOARD BRACKET (BASE)	4	12069
	CUTTING BOARD BRACKET MTG. SCREWS	12	SC-24520
19.	CUTTING BOARD BRACKET	4	BT-2342
22.	END GLASS	2	GL-22479
	END GLASS GASKET: 4' (1219mm)	1	GS-22547
23.	FRONT GLASS	2	GL-22477
24.	BASE BOTTOM	1	1420
25.	PAN DIVIDER BARS (not shown)		
	FULL/HALF/THIRD (LONG BAR)	6	11317
	FULL/HALF/THIRD (SHORT BAR)	21	11318
	SHEET PAN	4	11320
	S-PAN DIVIDER (LONG)	3	11357
	SHEET PAN FILLER BAR: 3-3/4" (95mm)	1	11732
26.	SNAP-IN RECEPTACLES, FOR SCALE, 120/240V	2	RP-3396
27.	OUTLET HOUSING COVER, 120V	1	4981
28.	RECEPTACLE FUSE, 15A, 120/240V	1	FU-33351
	RECEPTACLE FUSEHOLDER, 15A	1	FU-33352
29.	FRONT GLASS STRUTS	4	SU-22702
30.	8' PROBE PACKAGE OPTION (not shown) 120/240V	1	5297
31.	OPTIONAL LOAD CENTER PACKAGE (not shown)	1	14220
	INCLUDES: LOAD CENTER	1	CI-3877
	GROUND BAR KIT	1	CI-3878
	BREAKER, 15 AMP	1	CI-33071
	CONNECTOR	1	CR-3953
	NUT	1	NU-3954

TY-96
SERVICE VIEW
REV: 7/24/97

11-08-94



TYSYS-96
SERVICE VIEW
REV: 7/24/97



TY-96/PL PASS-THRU LEFT

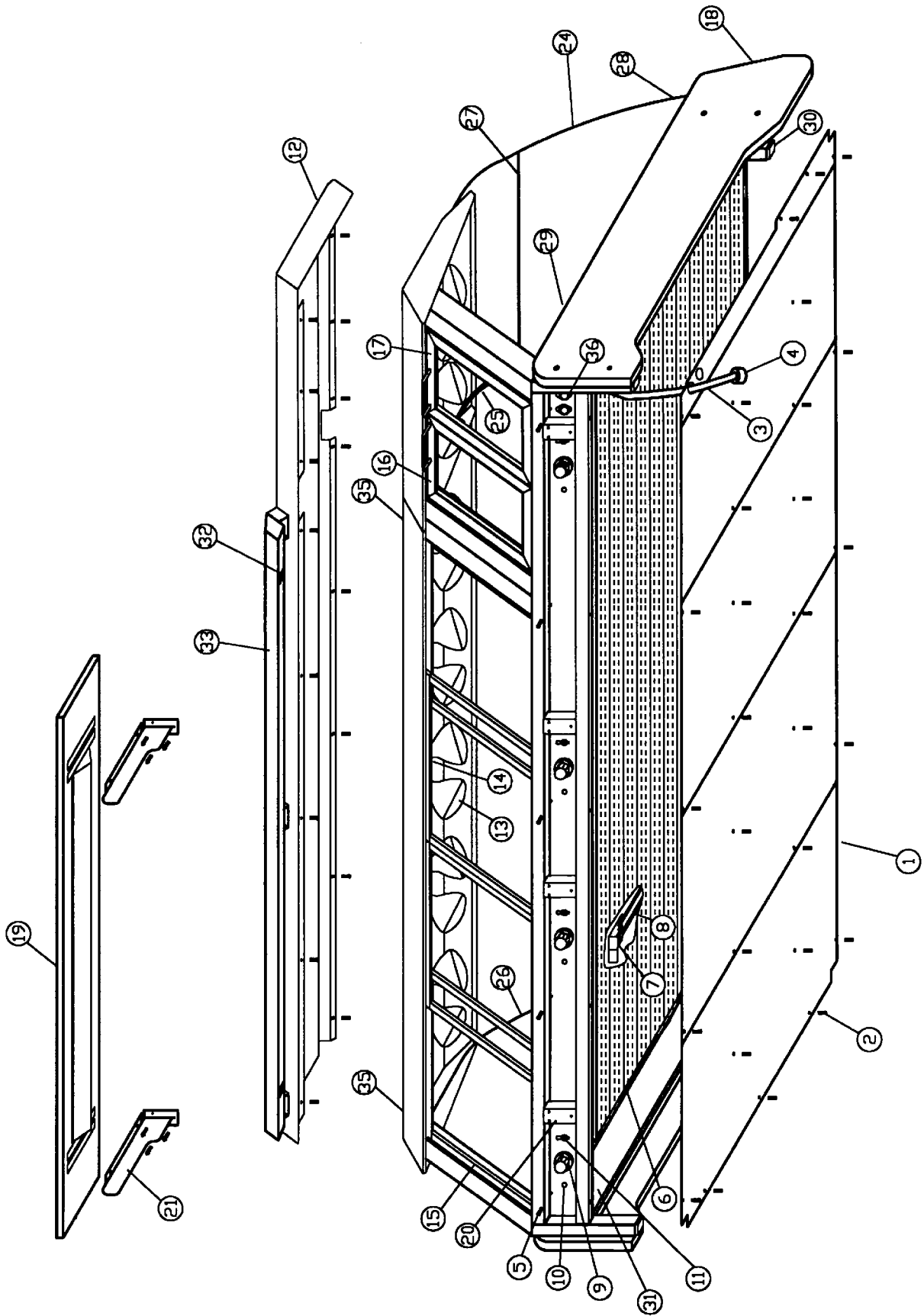
12-22-00	PART DESCRIPTION	QTY	A/S PT NO.
1.	END PANEL BOTTOM	1	13028
	END PANEL BOTTOM, 230V	1	13986
	4' (1219mm) RIGHT-HAND BOTTOM PANEL	1	13029
	8' (2438mm) BOTTOM PANEL	1	13032
	6' (1829mm) BOTTOM PANEL	1	13031
	4' (1219mm) LEFT-HAND BOTTOM PANEL	1	13030
2.	8-32x1/2" S/S TRUSS HEAD SCREWS	29	SC-2425
	8-32x1/4" S/S TRUSS HEAD SCREWS	2	SC-2459
3.	CORD, 120/240V	1	CD-3987
	CORD, 230V, NO PLUG	1	CD-33489
4.	PLUG, 120/240V	1	PG-3988
5.	CONTROL PANEL MOUNTING SCREWS	5	SC-2459
6.	INSULATION 1.5"x25.5"x120" (38mmx648mmx3048mm)	2.5	IN-22364
7.	CABLE CONNECTION HARDWARE		
8.	HEATING CABLE: 66' (20117mm)		CB-3045
	HEATING CABLE: 205' (62484mm)		CB-3045
9.	THERMOSTAT	4	TT-3498
	THERMOSTAT KNOB	4	KN-3473
10.	INDICATOR LIGHT	4	LI-3025
	INDICATOR LIGHT, 230V	4	LI-3951
	INDICATOR LIGHT MOUNTING NUT	4	NU-3335
11.	BULB SWITCH	3	SW-3616
12.	TOP	1	4469
	TOP MOUNTING SCREWS	7	SC-2425
	TOP MOUNTING SCREWS	7	SC-2459
13.	BULBS	14	LP-33592
	BULBS, 230V	14	LP-3384
14.	BULB SOCKETS	14	RP-3952
	BULB SOCKETS, 230V	14	RP-3955
15.	DOOR ASSEMBLY	1	DR-22481
	INCLUDES: LEFT HAND GLASS DOOR - IN	1	DR-22481A
	RIGHT HAND GLASS DOOR - IN	1	DR-22481B
	TOP TRACK	1	TK-23749
	BOTTOM TRACK, 6' (2438mm)	1	TK-24266
	CENTER GLASS - DOOR OUT	2	DR-22481E
	GUIDES #44049	16	DR-22480F
	DOOR BUMPER ASSEMBLY	2	DR-22480G
16.	SELF-SERVE DOOR, LEFT HAND	1	4407
	HINGE, LEFT-HAND	2	HG-22167
17.	SELF-SERVE DOOR, RIGHT-HAND	1	4409
	HINGE, RIGHT-HAND	2	HG-22168
	HINGE BUSHING	4	BU-2722
	HINGE MOUNTING SCREWS	8	SC-2352
18.	END PANEL, WHITE	2	PE-22585
19.	CUTTING BOARD ASSEMBLY	1	4017
20.	CUTTING BOARD BRACKET (BASE)	2	12069
	CUTTING BOARD BRACKET MTG. SCREWS	6	SC-24520
21.	CUTTING BOARD BRACKET	2	BT-2342
24.	END GLASS	2	GL-22479
	END GLASS GASKET: 4' (1219mm)	1	GS-22547
25.	INNER END GLASS	1	GL-22497
	DIVIDER GLASS GASKET: 3' (914mm)	1	GS-22548
26.	FRONT GLASS: 6' (1829mm)	1	GL-22478
27.	SELF-SERVE GLASS: 2' (610mm)	1	GL-22474
28.	CUSTOMER HEAT GUARD, 2' (610mm)	1	11115
29.	PAN DIVIDER BARS (not shown)		
	FULL/HALF/THIRD SIZE (LONG BAR)	6	11317
	FULL/HALF/THIRD SIZE (SHORT BAR)	21	11318
	SHEET PAN	4	11320
	S-PAN DIVIDER (LONG)	3	11357
	PAN GRID	1	PN-2115
	SELF-SERVE PAN	1	1405
	SHEET PAN FILLER BAR: 3-3/4" (95mm)	1	11732
30.	ADJUSTABLE LEGS	4	LG-22686
31.	TERMINAL BLOCKS	1or2	BK-3597
32.	SNAP-IN RECEPTACLES, FOR SCALE, 120/240V	2	RP-3396
	RECEPTACLE FUSE, 15 AMP	1	FU-33351
	RECEPTACLE FUSEHOLDER, 15 AMP	1	FU-33352
33.	OUTLET HOUSING COVER, 120/240V	1	4980
34.	6' PROBE PKG. OPTION (not shown) 120/240V	1	5296
35.	FRONT GLASS STRUTS	2	SU-2870
36.	FUSEHOLDER, 120/240V	2	FU-33041
	INCLUDES: FUSE, 15 AMP	2	FU-3775
	FUSEHOLDER MTG SCREWS	4	SC-2077
37.	OPTION (not shown) *NOT CSA APPROVED		
	INDEPENDENT CIRCUIT CORDSET 120/240V	1	14221
	INDEPENDENT CIRCUIT CORDSET 230V	1	14222

TYSYS-96/PL PASS-THRU LEFT

12-22-00	PART DESCRIPTION	QTY	A/S PT NO.
1.	END PANEL BOTTOM	1	13028
	4' (1219mm) RIGHT-HAND BOTTOM PANEL	1	13029
	8' (2438mm) BOTTOM PANEL	1	13032
	6' (1829mm) BOTTOM PANEL	1	13031
	4' (1219mm) LEFT-HAND BOTTOM PANEL	1	13030
2.	8-32x1/2" S/S TRUSS HEAD SCREWS	29	SC-2425
	8-32x1/4" S/S TRUSS HEAD SCREWS	2	SC-2459
3.	CONTROL PANEL MOUNTING SCREWS	5	SC-2459
4.	CONDUIT TUBING: .7" (213mm)	1	TU-3874
5.	INSULATION 1.5"x25.5"x120" (38mmx648mmx3048mm)	2.5	IN-22364
6.	CABLE CONNECTION HARDWARE		
7.	HEATING CABLE: 66' (20117mm)		CB-3045
	HEATING CABLE: 205' (62484mm)		CB-3045
8.	THERMOSTAT	4	TT-3498
	THERMOSTAT KNOB	4	KN-3473
9.	INDICATOR LIGHT	4	LI-3025
	INDICATOR LIGHT, 230V	4	LI-3951
	INDICATOR LIGHT MOUNTING NUT	4	NU-3335
10.	BULB SWITCH	4	SW-3616
11.	TOP	1	4469
	TOP MOUNTING SCREWS	7	SC-2425
	TOP MOUNTING SCREWS	7	SC-2459
12.	BULB	14	LP-33592
	BULB, 230V	14	LP-3384
13.	BULB SOCKET	14	RP-3952
	BULB SOCKET, 230V	14	RP-3955
14.	CIRCUIT BOX	1	CI-3906
	INCLUDES: BREAKER, 15 AMP	2	CI-33071
	BREAKER, 20 AMP	3	CI-3907
	GROUND BAR KIT	1	CI-3878
15.	DOOR ASSEMBLY	1	DR-22481
	INCLUDES: LEFT HAND GLASS DOOR - IN	1	DR-22481A
	RIGHT HAND GLASS DOOR - IN	1	DR-22481B
	TOP TRACK	1	TK-23749
	BOTTOM TRACK, 6' (2438mm)	1	TK-24266
	CENTER GLASS - DOOR OUT	2	DR-22481E
	GUIDES #44049	16	DR-22480F
	DOOR BUMPER ASSEMBLY	2	DR-22480G
16.	SELF-SERVE DOOR, LEFT-HAND	1	4407
	HINGE, LEFT-HAND	2	HG-22167
17.	SELF-SERVE DOOR, RIGHT-HAND	1	4409
	HINGE, RIGHT-HAND	2	HG-22168
	HINGE BUSHING	4	BU-2722
	HINGE MOUNTING SCREWS	8	SC-2352
18.	END PANEL, WHITE	2	PE-22493
19.	CUTTING BOARD ASSEMBLY	1	4017
20.	CUTTING BOARD BRACKET (BASE)	2	12069
	CUTTING BOARD BRACKET MTG. SCREWS	6	SC-24520
21.	CUTTING BOARD BRACKET	2	BT-2342
24.	END GLASS	2	GL-22479
	END GLASS GASKET: 4' (1219mm)	1	GS-22547
25.	INNER END GLASS	1	GL-22497
	DIVIDER GLASS GASKET: 3' (914mm)	1	GS-22548
26.	FRONT GLASS: 6' (1829mm)	1	GL-22478
27.	SELF-SERVE GLASS: 2' (610mm)	1	GL-22474
28.	BASE BOTTOM	1	1420
29.	CUSTOMER HEAT GUARD: 2' (610mm)	1	11115
30.	PAN DIVIDER BARS (not shown)		
	FULL/HALF/THIRD SIZE (LONG BAR)	6	11317
	FULL/HALF/THIRD SIZE (SHORT BAR)	21	11318
	SHEET PAN	4	11320
	S-PAN DIVIDER (LONG)	3	11357
	PAN GRID	1	PN-2115
	SELF-SERVE PAN	1	1405
	SHELF	1	1407
	SHEET PAN FILLER BAR: 3-3/4" (95mm)	1	11732
31.	SNAP-IN RECEPTACLES, FOR SCALE, 120/240V	2	RP-3396
32.	OUTLET HOUSING COVER, 120/240V	1	4980
33.	RECEPTACLE FUSE, 15 AMP, 120/240V	1	FU-33351
	RECEPTACLE FUSEHOLDER, 15 AMP	1	FU-33352
34.	FRONT GLASS STRUTS	2	SU-2870
35.	6' PROBE PKG. OPTION (not shown) 120/240V	1	5296
36.	OPTIONAL LOAD CENTER PKG. (not shown)	1	14220
	INCLUDES: LOAD CENTER	1	CI-3877
	GROUND BAR KIT	1	CI-3878
	BREAKER, 15 AMP	1	CI-33071
	CONNECTOR	1	CR-3953
	NUT	1	NU-3954

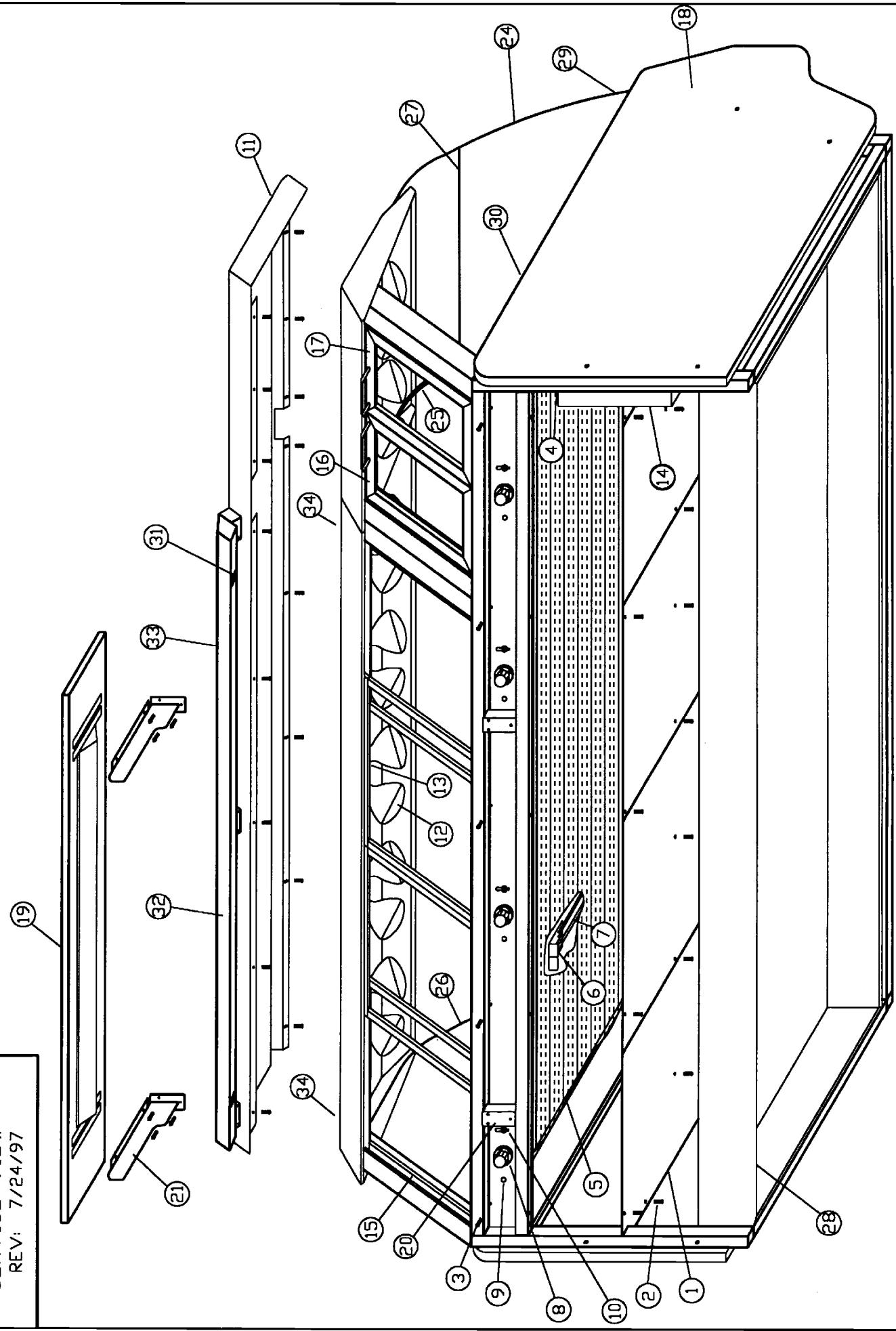
TY-96/PL
SERVICE VIEW
REV: 7/24/97

02-16-95



TYSYS-96/PL
SERVICE VIEW
REV: 7/24/97

11-08-94



K:\SM\TYS96PL.DWG

TY-96/PR PASS-THRU RIGHT

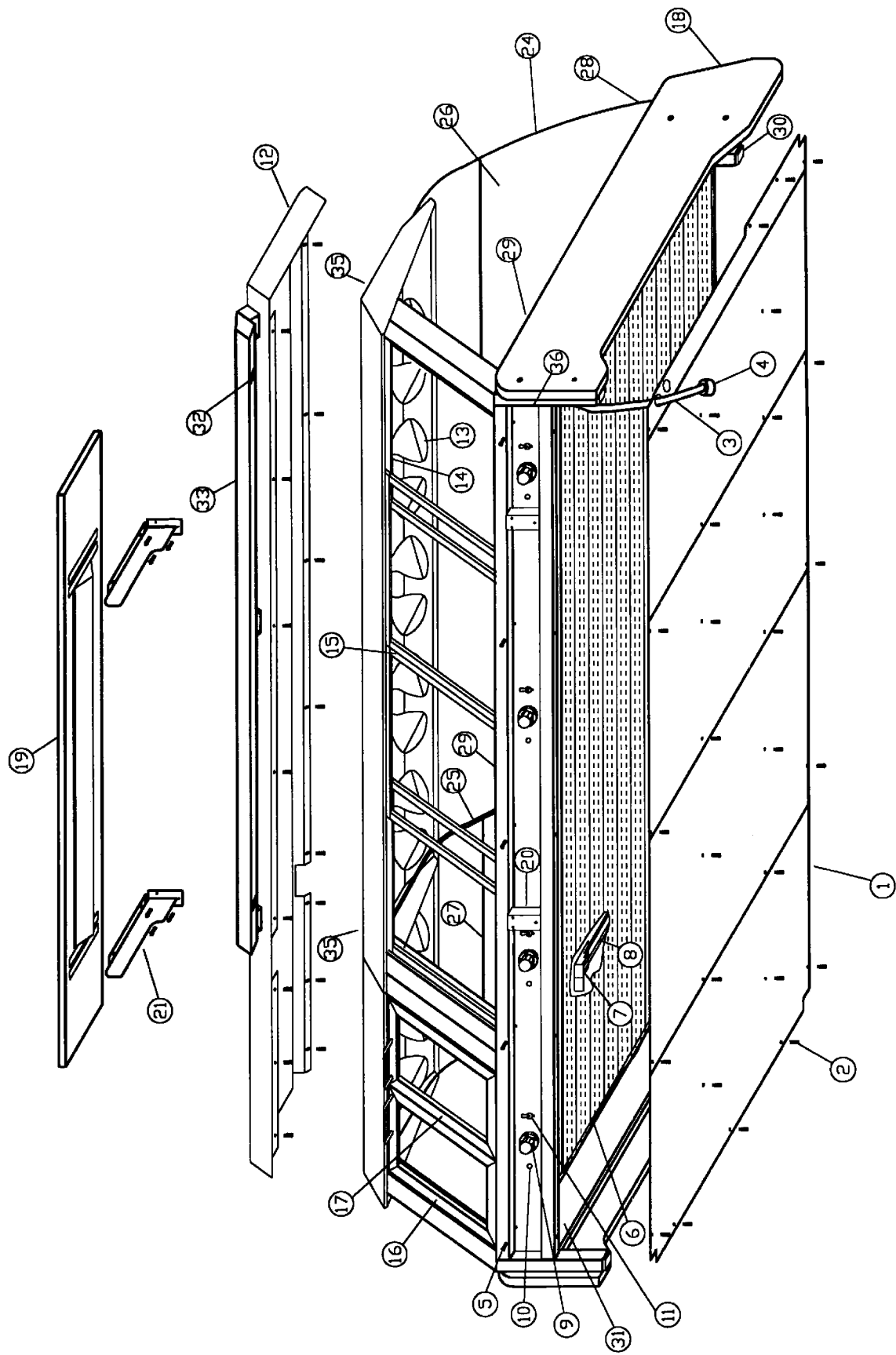
12-22-00	PART DESCRIPTION	QTY	A/S PT NO.
1.	END PANEL BOTTOM	1	13028
	END PANEL BOTTOM, 230V	1	13986
	4' (1219mm) RIGHT-HAND BOTTOM PANEL	1	13029
	8' (2438mm) BOTTOM PANEL	1	13032
	6' (1829mm) BOTTOM PANEL	1	13031
	4' (1219mm) LEFT-HAND BOTTOM PANEL	1	13030
2.	8-32x1/2" S/S TRUSS HEAD SCREWS	29	SC-2425
	8-32x1/4" S/S TRUSS HEAD SCREWS	2	SC-2459
3.	CORD, 120/240V	1	CD-3987
	CORD, 230V, NO PLUG	1	CD-33489
4.	PLUG, 120/240V	1	PG-3988
5.	CONTROL PANEL MOUNTING SCREWS	5	SC-2459
6.	INSULATION 1.5"x25.5"x120" (38mmx648mmx3048mm)	2.5	IN-22364
7.	CABLE CONNECTION HARDWARE		
8.	HEATING CABLE: 66' (20117mm)		CB-3045
	HEATING CABLE: 205' (62484mm)		CB-3045
9.	THERMOSTAT	4	TT-3498
	THERMOSTAT KNOB	4	KN-3473
10.	INDICATOR LIGHT	4	LI-3025
	INDICATOR LIGHT, 230V	4	LI-3951
	INDICATOR LIGHT MOUNTING NUT	4	NU-3335
11.	BULB SWITCH	4	SW-3616
12.	TOP	1	4456
	TOP MOUNTING SCREWS	7	SC-2425
	TOP MOUNTING SCREWS	7	SC-2459
13.	BULB	14	LP-33592
	BULB, 230V	14	LP-3384
14.	BULB SOCKET	14	RP-3952
	BULB SOCKET, 230V	14	RP-3955
15.	DOOR ASSEMBLY	1	DR-22481
	INCLUDES: LEFT HAND GLASS DOOR - IN	1	DR-22481A
	RIGHT HAND GLASS DOOR - IN	1	DR-22481B
	TOP TRACK	1	TK-23479
	BOTTOM TRACK, 6' (2438mm)	1	TK-24266
	CENTER GLASS - DOOR OUT	2	DR-22481E
	GUIDES #44049	16	DR-22480F
	DOOR BUMPER ASSEMBLY	2	DR-22480G
16.	SELF-SERVE DOOR, LEFT-HAND	1	4407
	HINGE, LEFT-HAND	2	HG-22167
17.	SELF-SERVE DOOR, RIGHT-HAND	1	4409
	HINGE, RIGHT-HAND	2	HG-22168
	HINGE BUSHING	4	BU-2722
	HINGE MOUNTING SCREWS	8	SC-2352
18.	END PANEL, WHITE	2	PE-22585
19.	CUTTING BOARD ASSEMBLY	1	4017
20.	CUTTING BOARD BRACKET (BASE)	2	12069
	CUTTING BOARD BRACKET MTG. SCREWS	6	SC-24520
21.	CUTTING BOARD BRACKET	2	BT-2342
24.	END GLASS	2	GL-22479
	END GLASS GASKET: 4' (1219mm)	1	GS-22547
25.	INNER END GLASS	1	GL-22497
	DIVIDER GLASS GASKET: 3' (914mm)	1	GS-22548
26.	FRONT GLASS: 6' (1829mm)	1	GL-22478
27.	SELF-SERVE GLASS: 2' (610mm)	1	GL-22474
28.	CUSTOMER HEAT GUARD: 2' (610mm)	1	11115
29.	PAN DIVIDER BARS (not shown)		
	FULL/HALF/THIRD SIZE (LONG BAR)	6	11317
	FULL/HALF/THIRD SIZE (SHORT BAR)	21	11318
	SHEET PAN	4	11320
	S-PAN DIVIDER (LONG)	3	11357
	PAN GRID	1	PN-2115
	SELF-SERVE PAN	1	1405
	SHEET PAN FILLER BAR: 3-3/4" (95mm)	1	11732
30.	ADJUSTABLE LEGS	4	LG-22686
31.	TERMINAL BLOCKS	2	BK-3597
32.	SNAP-IN RECEPTACLES, 120/240V	2	RP-3396
	RECEPTACLE FUSE, 15 AMP	1	FU-33351
	RECEPTACLE FUSEHOLDER, 15 AMP	1	FU-33352
33.	OUTLET HOUSING COVER, 120/240V	1	4980
34.	6' PROBE PACKAGE OPTION (not shown)120/240V	1	5296
35.	FRONT GLASS STRUTS	2	SU-2870
36.	FUSEHOLDER,120/240V	2	FU-33041
	INCLUDES: FUSE, 15 AMP	2	FU-3775
	FUSEHOLDER MTG SCREWS	4	SC-2077
37.	OPTION (not shown) *NOT CSA APPROVED		
	INDEPENDENT CIRCUIT CORDSET, 120/240V	1	14221
	INDEPENDENT CIRCUIT CORDSET, 230V	1	14222

TYSYS-96/PR PASS-THRU RIGHT

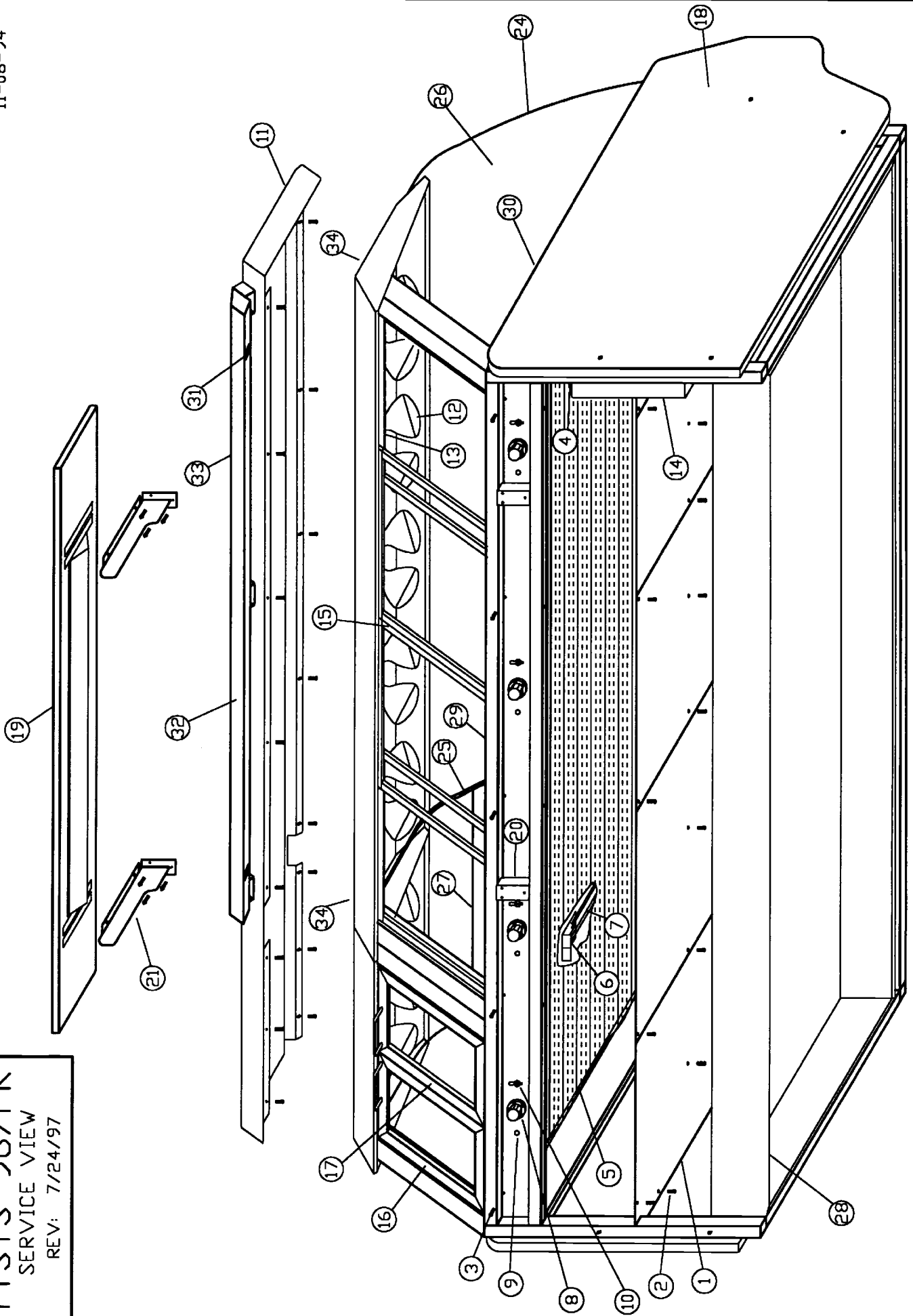
12-22-00	PART DESCRIPTION	QTY	A/S PT NO.
1.	END PANEL BOTTOM	1	13028
	4' (1219mm) RIGHT-HAND BOTTOM PANEL	1	13029
	8' (2438mm) BOTTOM PANEL	1	13032
	6' (1829mm) BOTTOM PANEL	1	13031
	4' (1219mm) LEFT-HAND BOTTOM PANEL	1	13030
2.	8-32x1/2" S/S TRUSS HEAD SCREWS	29	SC-2425
	8-32x1/4" S/S TRUSS HEAD SCREWS	2	SC-2459
3.	CONTROL PANEL MOUNTING SCREWS	5	SC-2459
4.	CONDUIT TUBING: .7" (213mm)	1	TU-3874
5.	INSULATION 1.5"x25.5"x120" (38mmx648mmx3048mm)	2.5	IN-22364
6.	CABLE CONNECTION HARDWARE		
7.	HEATING CABLE: 66' (20117mm)		CB-3045
	HEATING CABLE: 205' (62484mm)		CB-3045
8.	THERMOSTAT	4	TT-3498
	THERMOSTAT KNOB	4	KN-3473
9.	INDICATOR LIGHT	4	LI-3025
	INDICATOR LIGHT, 230V	4	LI-3951
	INDICATOR LIGHT MOUNTING NUT	4	NU-3335
10.	BULB SWITCH	4	SW-3616
11.	TOP	1	4456
	TOP MOUNTING SCREWS	7	SC-2425
	TOP MOUNTING SCREWS	7	SC-2459
12.	BULB	14	LP-33592
	BULB, 230V	14	LP-3384
13.	BULB SOCKET	14	RP-3952
	BULB SOCKET, 230V	14	RP-3955
14.	CIRCUIT BOX	1	CI-3906
	INCLUDES: BREAKER, 15 AMP	2	CI-33071
	BREAKER, 20 AMP	3or4	CI-3907
	GROUND BAR KIT	1	CI-3878
15.	DOOR ASSEMBLY	1	DR-22481
	INCLUDES: LEFT HAND GLASS DOOR - IN	1	DR-22481A
	RIGHT HAND GLASS DOOR - IN	1	DR-22481B
	TOP TRACK	1	TK-23479
	BOTTOM TRACK, 6' (2438mm)	1	TK-24266
	CENTER GLASS - DOOR OUT	2	DR-22481E
	GUIDES #44049	16	DR-22480F
16.	SELF-SERVE DOOR, LEFT-HAND	1	4407
	HINGE, LEFT-HAND	2	HG-22167
17.	SELF-SERVE DOOR, RIGHT-HAND	1	4409
	HINGE, RIGHT-HAND	2	HG-22168
	HINGE BUSHING	4	BU-2722
	HINGE MOUNTING SCREWS	8	SC-2352
18.	END PANEL, WHITE	2	PE-22493
19.	CUTTING BOARD ASSEMBLY	1	4017
20.	CUTTING BOARD BRACKET (BASE)	2	12069
	CUTTING BOARD BRACKET MTG. SCREWS	6	SC-24520
21.	CUTTING BOARD BRACKET	2	BT-2342
24.	END GLASS	2	GL-22479
	END GLASS GASKET: 4' (1219mm)	1	GS-22547
25.	INNER END GLASS	1	GL-22497
	DIVIDER GLASS GASKET: 3' (914mm)	1	GS-22548
26.	FRONT GLASS: 6' (1829mm)	1	GL-22478
27.	SELF-SERVE GLASS: 2' (610mm)	1	GL-22474
28.	BASE BOTTOM	1	1420
29.	CUSTOMER HEAT GUARD: 2' (610mm)	1	11115
30.	PAN DIVIDER BARS (not shown)		
	FULL/HALF/THIRD SIZE (LONG BAR)	6	11317
	FULL/HALF/THIRD SIZE (SHORT BAR)	21	11318
	SHEET PAN	4	11320
	S-PAN DIVIDER (LONG)	3	11357
	PAN GRID	1	PN-2115
	SELF-SERVE PAN	1	1405
	SHELF	1	1407
	SHEET PAN FILLER BAR: 3-3/4" (95mm)	1	11732
31.	SNAP-IN RECEPTACLES, 120/240V	2	RP-3396
32.	OUTLET HOUSING COVER, 120/240V	1	4980
33.	RECEPTACLE FUSE, 15 AMP, 120/240V	1	FU-33351
	RECEPTACLE FUSEHOLDER, 15 AMP	1	FU-33352
34.	FRONT GLASS STRUTS	2	SU-2870
35.	6' PROBE PACKAGE OPTION (not shown) 120/240V	1	5296
36.	OPTIONAL LOAD CENTER PKG. (not shown)	1	14220
	INCLUDES: LOAD CENTER	1	CI-3877
	GROUND BAR KIT	1	CI-3878
	BREAKER, 15 AMP	1	CI-33071
	CONNECTOR	1	CR-3953
	NUT	1	NU-3954

TY-96/PR
SERVICE VIEW

5/15/98



TYSYS-96/PR
SERVICE VIEW
REV: 7/24/97



TYSYS-96/4L PASS-THRU LEFT

8/27/02		PART DESCRIPTION	QTY	A/S PT. NO.
1.	END PANEL BOTTOM		1	13028
	4' (1219mm) RIGHT-HAND BOTTOM PANEL		1	13029
	8' (2438mm) BOTTOM PANEL		1	13032
	6' (1829mm) BOTTOM PANEL		1	13031
	4' (1219mm) LEFT-HAND BOTTOM PANEL		1	13030
2.	8-32x1/2" S/S TRUSS HEAD SCREWS		29	SC-2425
	8-32x1/4" S/S TRUSS HEAD SCREWS		2	SC-2459
3.	CONTROL PANEL MOUNTING SCREWS		5	SC-2459
4.	CONDUIT TUBING: .7' (213mm)		1	TU-3874
5.	INSULATION 1.5"x25.5"x120" (38mmx648mmx3048mm)		2.5	IN-22364
6.	CABLE CONNECTION HARDWARE			
7.	HEATING CABLE: 264' (80467mm)		1	CB-3045
8.	THERMOSTAT		3	TT-3498
	THERMOSTAT KNOB		3	KN-3473
9.	INDICATOR LIGHT		3	LI-3025
	INDICATOR LIGHT, 230V		3	LI-3951
	INDICATOR LIGHT MOUNTING NUT		3	NU-3335
10.	BULB SWITCH		3	SW-3616
11.	TOP		1	14025
	TOP MOUNTING SCREWS		7	SC-2425
	TOP MOUNTING SCREWS		7	SC-2459
12.	BULBS		14	LP-33592
	BULBS, 230V		14	LP-3384
13.	BULB SOCKET		14	RP-3952
	BULB SOCKET, 230V		14	RP-3955
14.	CIRCUIT BOX		1	CI-3906
	INCLUDES: BREAKER, 15 AMP		2	CI-33071
	BREAKER, 20 AMP		2	CI-3908
	GROUND BAR KIT		1	CI-3878
15.	DOOR ASSEMBLY		1	DR-22807
16.	END PANEL, WHITE		2	PE-22493
17.	CUTTING BOARD ASSEMBLY		2	4016
18.	CUTTING BOARD BRACKET (BASE)		4	12069
	CUTTING BOARD BRACKET MTG. SCREWS		12	SC-24520
19.	CUTTING BOARD BRACKET		4	BT-2342
22.	END GLASS		2	GL-22479
	END GLASS GASKET: 5' (1524mm)		1	GS-22547
23.	DIVIDER GLASS		1	GL-22719
	DIVIDER GLASS GASKET: 3' (914mm)		1	GS-22548
24.	FRONT DOUBLE CURVED GLASS		1	GL-22808
25.	SELF-SERVE GLASS		1	GL-22809
26.	BASE BOTTOM		1	1420
27.	CUSTOMER HEAT GUARD		1	11117
28.	PAN DIVIDER BARS (not shown)			
	FULL/HALF/THIRD SIZE (LONG BAR)		2	11317
	FULL/HALF/THIRD SIZE (SHORT BAR)		9	11318
	SHEET PAN		2	11320
	PAN GRID		2	PN-22805
	SELF-SERVE PAN ASSEMBLY		1	14021
29.	SNAP-IN RECEPTACLES, 120/240V, FOR SCALE		2	RP-3396
30.	OUTLET HOUSING COVER, 120/240V		1	4951
31.	RECEPTACLE FUSE, 15 AMP, 120/240V		1	FU-33351
	RECEPTACLE FUSEHOLDER, 15 AMP, 120/240V		1	FU-33352
32.	FRONT GLASS STRUTS		2	SU-22702
33.	4' PROBE PKG. OPTION (not shown) 120/240V		1	5295
34.	OPTIONAL LOAD CENTER PKG. (not shown)		1	14220
	INCLUDES: LOAD CENTER		1	CI-3877
	GROUND BAR KIT		1	CI-3878
	BREAKER, 15 AMP		1	CI-33071
	CONNECTOR		1	CR-3953
	NUT		1	NU-3954

TYSYS-96/4R PASS-THRU RIGHT

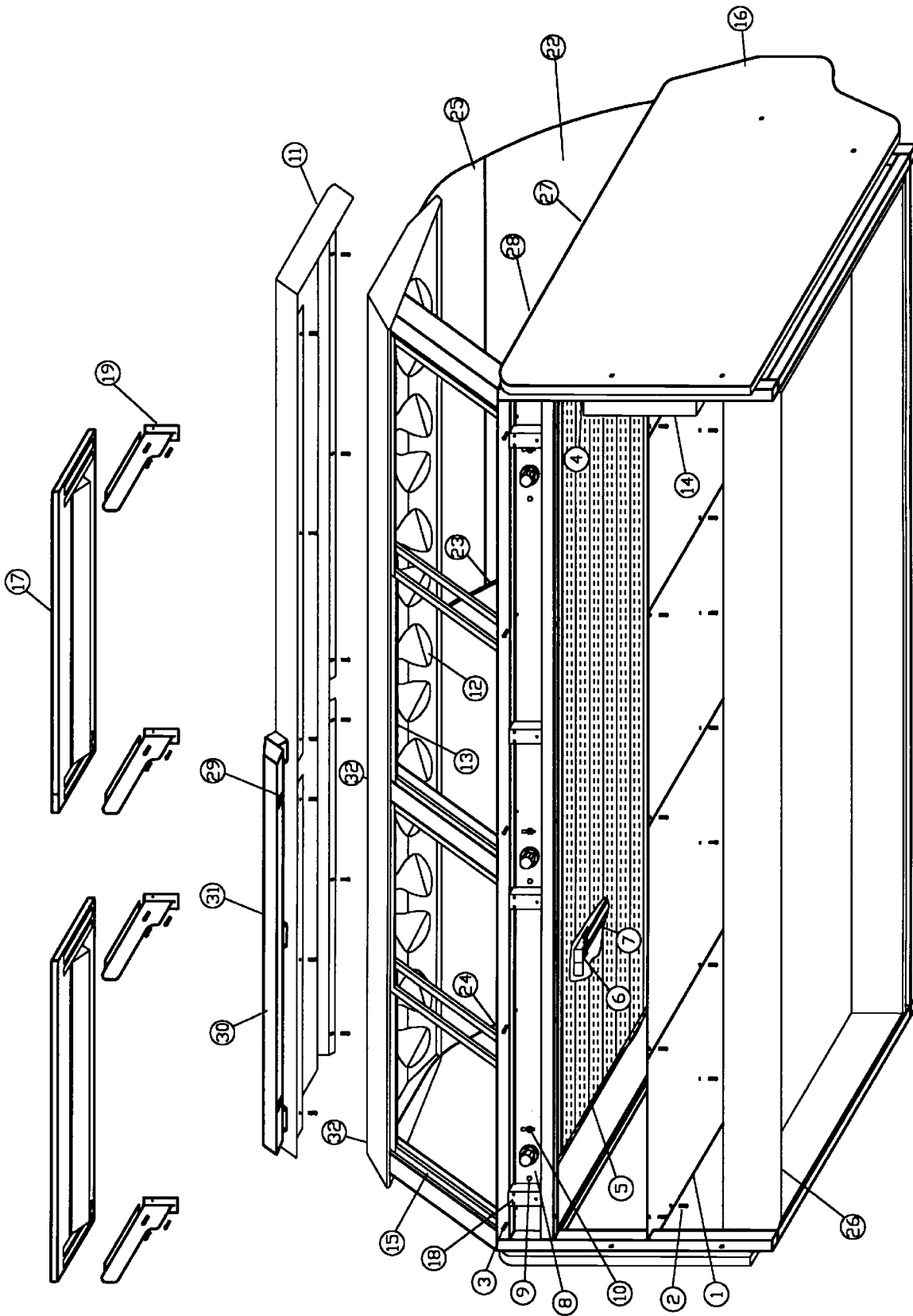
8/27/02		PART DESCRIPTION	QTY	A/S PT. NO.
1.	END PANEL BOTTOM		1	13028
	4' (1219mm) RIGHT-HAND BOTTOM PANEL		1	13029
	8' (2438mm) BOTTOM PANEL		1	13032
	6' (1829mm) BOTTOM PANEL		1	13031
	4' (1219mm) LEFT-HAND BOTTOM PANEL		1	13030
2.	8-32x1/2" S/S TRUSS HEAD SCREWS		29	SC-2425
	8-32x1/4" S/S TRUSS HEAD SCREWS		2	SC-2459
3.	CONTROL PANEL MOUNTING SCREWS		5	SC-2459
4.	CONDUIT TUBING: .7' (213mm)		1	TU-3874
5.	INSULATION 1.5"x25.5"x120" (38mmx648mmx3048mm)		2.5	IN-22364
6.	CABLE CONNECTION HARDWARE			
7.	HEATING CABLE: 264' (80467mm)		1	CB-3045
8.	THERMOSTAT		3	TT-3498
	THERMOSTAT KNOB		3	KN-3473
9.	INDICATOR LIGHT		3	LI-3025
	INDICATOR LIGHT, 230V		3	LI-3951
	INDICATOR LIGHT MOUNTING NUT		3	NU-3335
10.	BULB SWITCH		3	SW-3616
11.	TOP		1	14023
	TOP MOUNTING SCREWS		7	SC-2425
	TOP MOUNTING SCREWS		7	SC-2459
12.	BULBS		14	LP-33592
	BULBS, 230V		14	LP-3384
13.	BULB SOCKET		14	RP-3952
	BULB SOCKET, 230V		14	RP-3955
14.	CIRCUIT BOX		1	CI-3906
	INCLUDES: BREAKER, 15 AMP		2	CI-33071
	BREAKER, 20 AMP		2	CI-3908
	GROUND BAR KIT		1	CI-3878
15.	DOOR ASSEMBLY		1	DR-22807
16.	END PANEL, WHITE		2	PE-22493
17.	CUTTING BOARD ASSEMBLY		2	4016
18.	CUTTING BOARD BRACKET (BASE)		4	12069
	CUTTING BOARD BRACKET MTG. SCREWS		12	SC-24520
19.	CUTTING BOARD BRACKET		4	BT-2342
22.	END GLASS, RIGHT-HAND, MIRRORRED		2	GL-22479
	END GLASS GASKET: 5' (1524mm)		1	GS-22547
23.	DIVIDER GLASS		1	GL-22719
	DIVIDER GLASS GASKET: 3' (914mm)		1	GS-22548
24.	FRONT DOUBLE CURVED GLASS		1	GL-22808
25.	SELF-SERVE GLASS		1	GL-22809
26.	BASE BOTTOM		1	1420
27.	CUSTOMER HEAT GUARD		1	11117
28.	PAN DIVIDER BARS (not shown)			
	FULL/HALF/THIRD SIZE (LONG BAR)		2	11317
	FULL/HALF/THIRD SIZE (SHORT BAR)		9	11318
	SHEET PAN		2	11320
	PAN GRID		2	PN-22805
	SELF-SERVE PAN ASSEMBLY		1	14021
29.	SNAP-IN RECEPTACLES, FOR SCALE, 120/240V		2	RP-3396
30.	OUTLET HOUSING COVER, 120/240V		1	4951
31.	RECEPTACLE FUSE, 15 AMP, 120/240V		1	FU-33351
	RECEPTACLE FUSEHOLDER, 15 AMP, 120/240V		1	FU-33352
32.	FRONT GLASS STRUTS		2	SU-22702
33.	4' PROBE PKG. OPTION (not shown) 120/240V		1	5295
34.	OPTIONAL LOAD CENTER PKG. (not shown)		1	14220
	INCLUDES: LOAD CENTER		1	CI-3877
	GROUND BAR KIT		1	CI-3878
	BREAKER, 15 AMP		1	CI-33071
	CONNECTOR		1	CR-3953
	NUT		1	NU-3954

TYSYS-96/4L

SERVICE VIEW 1/16"=1'

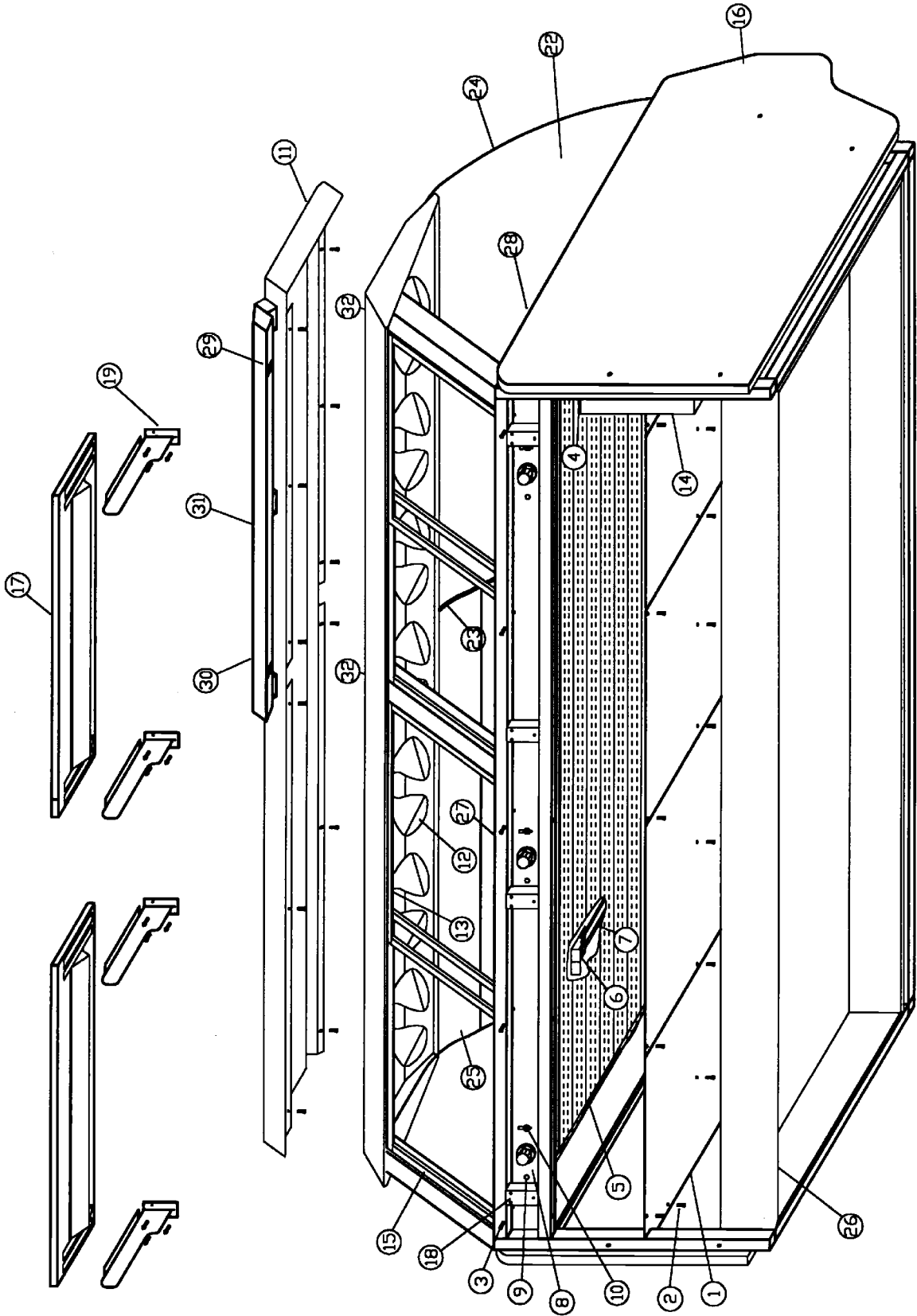
REV: 7/24/97

11/28/94 LRP



K:\SM\TYS96-4L.DWG

TYSYS-96/4R
SERVICE VIEW 1/16"=1"
REV: 7/24/97



TY-96/41L PASS-THRU LEFT

12-4-01			
PART DESCRIPTION	QTY	A/S	PT. NO.
1. END PANEL BOTTOM	1		13028
4' (1219mm) RIGHT-HAND BOTTOM PANEL	1		13029
8' (2438mm) BOTTOM PANEL	1		13032
6' (1829mm) BOTTOM PANEL	1		13031
4' (1219mm) LEFT-HAND BOTTOM PANEL	1		13030
2. 8-32x1/2" S/S TRUSS HEAD SCREWS	25		SC-2425
8-32x1/4" S/S TRUSS HEAD SCREWS	29		SC-2459
3. CONTROL PANEL MOUNTING SCREWS	5		SC-2459
4. CORD	1		CD-3987
PLUG	1		PG-3988
5. INSULATION 1.5"x25.5"x120" (38mmx648mmx3048mm)	2.5		IN-22364
6. CABLE CONNECTION HARDWARE			
7. HEATING CABLE: 264' (80467mm)			CB-3045
8. THERMOSTAT	3		TT-3498
THERMOSTAT KNOB	3		KN-3473
9. INDICATOR LIGHT	3		LI-3025
INDICATOR LIGHT MOUNTING NUT	3		NU-3335
10. BULB SWITCH	3		SW-3616
11. TOP	1		13461
TOP MOUNTING SCREWS	7		SC-2425
TOP MOUNTING SCREWS	7		SC-2459
12. BULB	14		LP-33592
13. BULB SOCKET	14		RP-3952
14. DOOR ASSEMBLY	1		DR-23956
15. END PANEL, WHITE	2		PE-22585
16. CUTTING BOARD ASSEMBLY	2		4016
17. CUTTING BOARD BRACKET (BASE)	2		12069
CUTTING BOARD BRACKET MTG. SCREWS	6		SC-24520
18. CUTTING BOARD BRACKET	2		BT-2342
19. END GLASS, CLEAR	2		GL-22479
END GLASS GASKET: 5' (1524mm) U-channel	1		GS-22547
20. DIVIDER GLASS SPACER	1		GL-22719
DIVIDER GLASS GASKET: 3' (914mm)	1		GS-22548
21. FRONT DOUBLE CURVED GLASS	1		GL-23958
22. SELF-SERVE GLASS	1		GL-23959
23. LEGS	4		LG-22686
24. CUSTOMER HEAT GUARD	1		11118
25. PAN DIVIDER BARS			
FULL/HALF/THIRD SIZE (LONG BAR)	3		11317
FULL/HALF/THIRD SIZE (SHORT BAR)	12		11318
SHEET PAN	2		11320
PAN GRID	2		PN-22048
SELF-SERVE PAN ASSEMBLY	1		14481
26. SNAP-IN RECEPTACLES, FOR SCALE, 120/240V	2		RP-3396
27. RECEPTACLE FUSE, 15 AMP, 120/240V	1		FU-33351
RECEPTACLE FUSEHOLDER, 15 AMP	1		FU-33352
FUSE, INLINE, 15A	2		FU-3775
28. OUTLET HOUSING COVER	1		4951
29. FRONT GLASS STRUTS, 195#	2		SU-22704
30. 4' PROBE PACKAGE OPTION	1		5295
31. OPTIONAL LOAD CTR. PKG. 120/240V	1		14220
INCLUDES: LOAD CENTER	1		CI-3877
GROUND BAR KIT	1		CI-3878
BREAKER, 15 AMP	1		CI-33071
CONNECTOR	1		CR-3953
NUT	1		NU-3954
32. TERMINAL BLOCKS	2		BK-3597
33. OPTION *NOT CSA APPROVED			
INDEPENDENT CIRCUIT CORDSET 120/240V	1		14221
INDEPENDENT CIRCUIT CORDSET 230V	1		14222

NO SERVICE VIEW

TY-96/41R PASS-THRU RIGHT

12-4-01			
PART DESCRIPTION	QTY	A/S	PT. NO.
1. END PANEL BOTTOM	1		13028
4' (1219mm) RIGHT-HAND BOTTOM PANEL	1		13029
8' (2438mm) BOTTOM PANEL	1		13032
6' (1829mm) BOTTOM PANEL	1		13031
4' (1219mm) LEFT-HAND BOTTOM PANEL	1		13030
2. 8-32x1/2" S/S TRUSS HEAD SCREWS	25		SC-2425
8-32x1/4" S/S TRUSS HEAD SCREWS	29		SC-2459
3. CONTROL PANEL MOUNTING SCREWS	5		SC-2459
4. CORD	1		CD-3987
PLUG	1		PG-3988
5. INSULATION 1.5"x25.5"x120" (38mmx648mmx3048mm)	2.5		IN-22364
6. CABLE CONNECTION HARDWARE			
7. HEATING CABLE: 264' (80467mm)			CB-3045
8. THERMOSTAT	3		TT-3498
THERMOSTAT KNOB	3		KN-3473
9. INDICATOR LIGHT	3		LI-3025
INDICATOR LIGHT MOUNTING NUT	3		NU-3335
10. BULB SWITCH	3		SW-3616
11. TOP	1		13465
TOP MOUNTING SCREWS	7		SC-2425
TOP MOUNTING SCREWS	7		SC-2459
12. BULB	14		LP-33592
13. BULB SOCKET	14		RP-3952
14. DOOR ASSEMBLY	1		DR-23956
15. END PANEL, WHITE	2		PE-22585
16. CUTTING BOARD ASSEMBLY	2		4016
17. CUTTING BOARD BRACKET (BASE)	2		12069
CUTTING BOARD BRACKET MTG. SCREWS	6		SC-24520
18. CUTTING BOARD BRACKET	2		BT-2342
19. END GLASS, CLEAR	2		GL-22479
END GLASS GASKET: 5' (1524mm) U-channel	1		GS-22547
20. DIVIDER GLASS SPACER	1		GL-22719
DIVIDER GLASS GASKET: 3' (914mm)	1		GS-22548
21. FRONT DOUBLE CURVED GLASS	1		GL-23958
22. SELF-SERVE GLASS	1		GL-23959
23. LEGS	4		LG-22686
24. CUSTOMER HEAT GUARD	1		11118
25. PAN DIVIDER BARS			
FULL/HALF/THIRD SIZE (LONG BAR)	3		11317
FULL/HALF/THIRD SIZE (SHORT BAR)	12		11318
SHEET PAN	2		11320
PAN GRID	2		PN-22048
SELF-SERVE PAN ASSEMBLY	1		14481
26. SNAP-IN RECEPTACLES	2		RP-3396
27. RECEPTACLE FUSE, 15 AMP, 120/240V	1		FU-33351
RECEPTACLE FUSEHOLDER, 15 AMP	1		FU-33352
FUSE, INLINE, 15A	2		FU-3775
28. OUTLET HOUSING COVER	1		4951
29. FRONT GLASS STRUTS, 195#	2		SU-22704
30. 4' PROBE PACKAGE OPTION	1		5295
31. OPTIONAL LOAD CTR. PKG. 120/240V	1		14220
INCLUDES: LOAD CENTER	1		CI-3877
GROUND BAR KIT	1		CI-3878
BREAKER, 15 AMP	1		CI-33071
CONNECTOR	1		CR-3953
NUT	1		NU-3954
32. TERMINAL BLOCKS	2		BK-3597
33. OPTION *NOT CSA APPROVED			
INDEPENDENT CIRCUIT CORDSET 120/240V	1		14221
INDEPENDENT CIRCUIT CORDSET 230V	1		14222

NO SERVICE VIEW

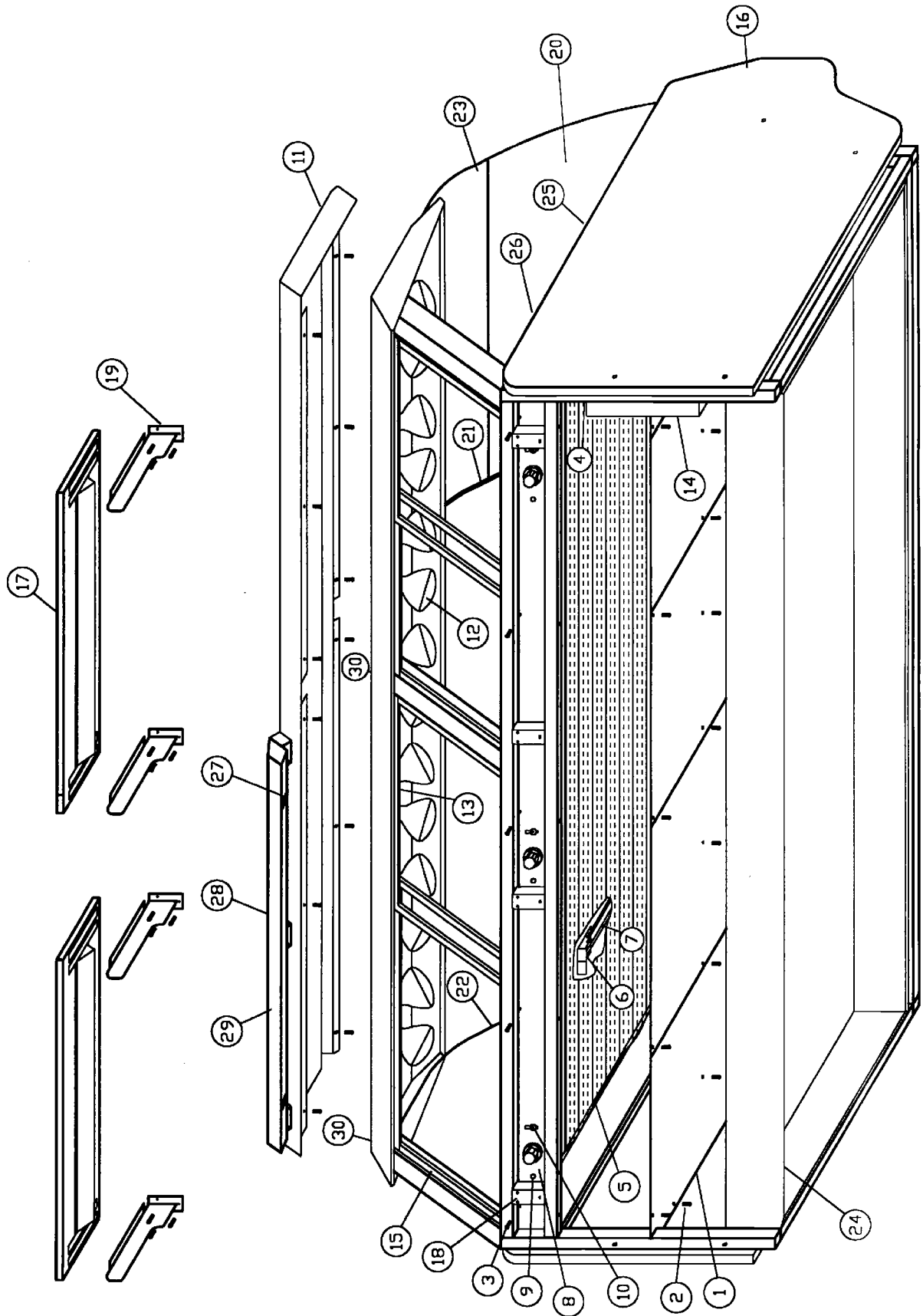
TYSYS-96/41L PASS-THRU LEFT

8-27-02	PART DESCRIPTION	QTY	A/S PT NO.
1.	END PANEL BOTTOM	1	13028
	4' (1219mm) RIGHT-HAND BOTTOM PANEL	1	13029
	8' (2438mm) BOTTOM PANEL	1	13032
	6' (1829mm) BOTTOM PANEL	1	13031
	4' (1219mm) LEFT-HAND BOTTOM PANEL	1	13030
2.	8-32x1/2" S/S TRUSS HEAD SCREWS	29	SC-2425
	8-32x1/4" S/S TRUSS HEAD SCREWS	2	SC-2459
3.	CONTROL PANEL MOUNTING SCREWS	5	SC-2459
4.	CONDUIT TUBING: .7' (213mm)	1	TU-3874
5.	INSULATION 1.5"x25.5"x120" (38mmx648mmx3048mm)	2.5	IN-22364
6.	CABLE CONNECTION HARDWARE		
7.	HEATING CABLE: 264' (80467mm)		CB-3045
8.	THERMOSTAT	3	TT-3498
	THERMOSTAT KNOB	3	KN-3473
9.	INDICATOR LIGHT	3	LI-3025
	INDICATOR LIGHT, 230V	3	LI-3951
	INDICATOR LIGHT MOUNTING NUT	3	NU-3335
10.	BULB SWITCH	3	SW-3616
11.	TOP	1	13461
	TOP MOUNTING SCREWS	7	SC-2425
	TOP MOUNTING SCREWS	7	SC-2459
12.	BULB	14	LP-33592
	BULB, 230V	14	LP-3384
13.	BULB SOCKET	14	RP-3952
	BULB SOCKET, 230V	14	RP-3955
14.	CIRCUIT BOX	1	CI-3906
	BREAKER, 15 AMP	2	CI-33071
	BREAKER, 20 AMP	2	CI-3908
	GROUND BAR KIT	1	CI-3878
15.	DOOR ASSEMBLY	1	DR-23956
16.	END PANEL, WHITE	2	PE-22493
17.	CUTTING BOARD ASSEMBLY	2	4016
18.	CUTTING BOARD BRACKET (BASE)	4	12069
	CUTTING BOARD BRACKET MTG. SCREWS	12	SC-24520
19.	CUTTING BOARD BRACKET	4	BT-2342
20.	END GLASS, CLEAR	2	GL-22479
	END GLASS GASKET: 5' (1524mm)	1	GS-22547
21.	DIVIDER GLASS	1	GL-22719
	DIVIDER GLASS GASKET: 3' (914mm)	1	GS-22548
22.	FRONT, FULL SERVE GLASS	1	GL-23958
23.	FRONT, SELF-SERVE GLASS	1	GL-23959
24.	BASE BOTTOM	1	1420
25.	CUSTOMER HEAT GUARD	1	11118
26.	PAN DIVIDER BARS (not shown)		
	FULL/HALF/THIRD SIZE (LONG BAR)	3	11317
	FULL/HALF/THIRD SIZE (SHORT BAR)	12	11318
	SHEET PAN	2	11320
	PAN GRID	2	PN-22048
	SELF-SERVE PAN ASSEMBLY	1	14481
27.	SNAP-IN RECEPTACLES, 120/240V, FOR SCALE	2	RP-3396
28.	RECEPTACLE FUSE, 15 AMP, 120/240V	1	FU-33351
	RECEPTACLE FUSEHOLDER, 15 AMP, 120/240V	1	FU-33352
29.	OUTLET HOUSING COVER, 120/240V	1	4951
30.	FRONT GLASS STRUTS	2	SU-22704
31.	4' PROBE PACKAGE OPTION (not shown)	1	5295
32.	OPTIONAL LOAD CTR. PKG. (not shown) 120/240V	1	14220
	INCLUDES: LOAD CENTER	1	CI-3877
	GROUND BAR KIT	1	CI-3878
	BREAKER, 15 AMP	1	CI-33071
	CONNECTOR	1	CR-3953
	NUT	1	NU-3954

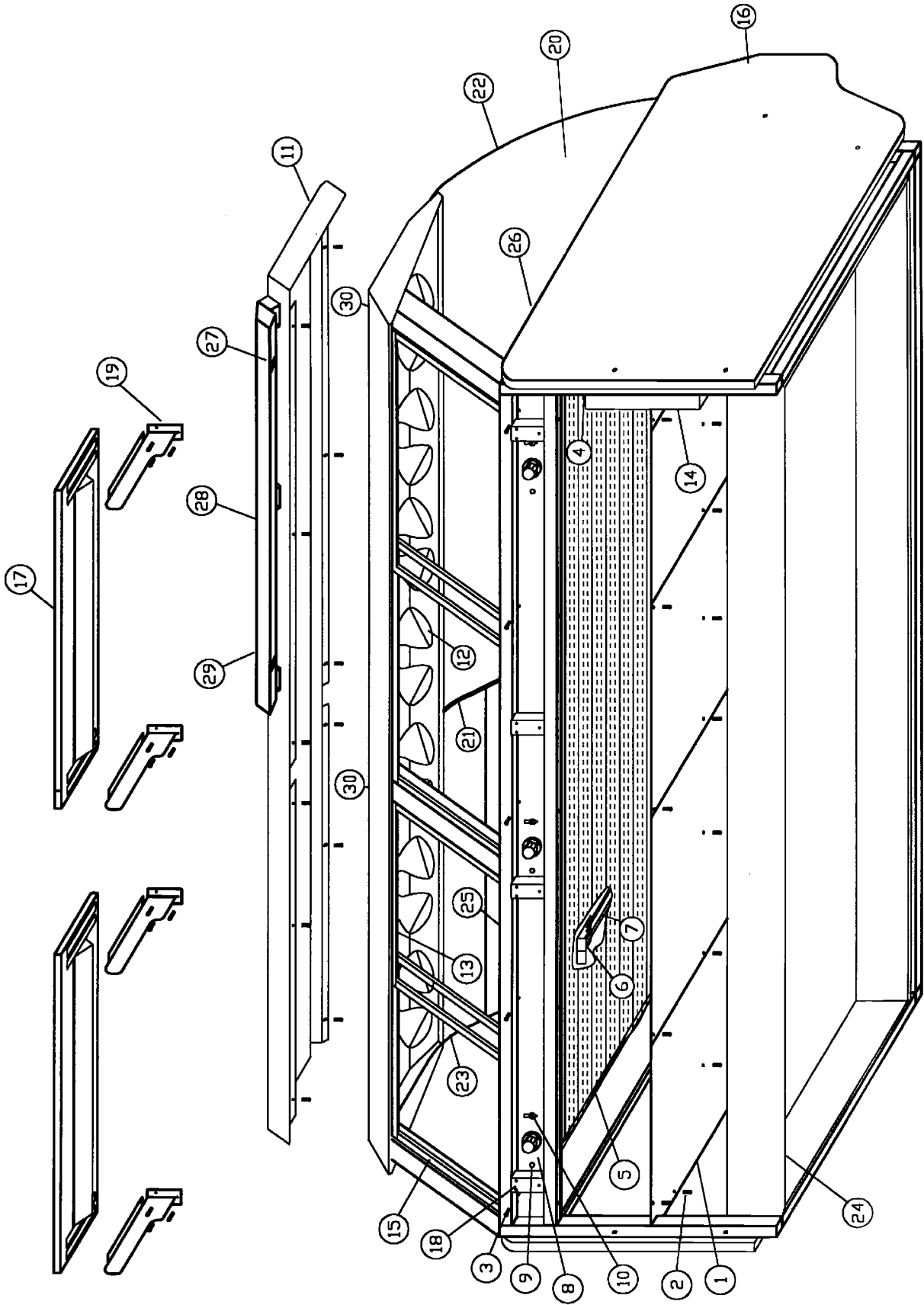
TYSYS-96/41R PASS-THRU RIGHT

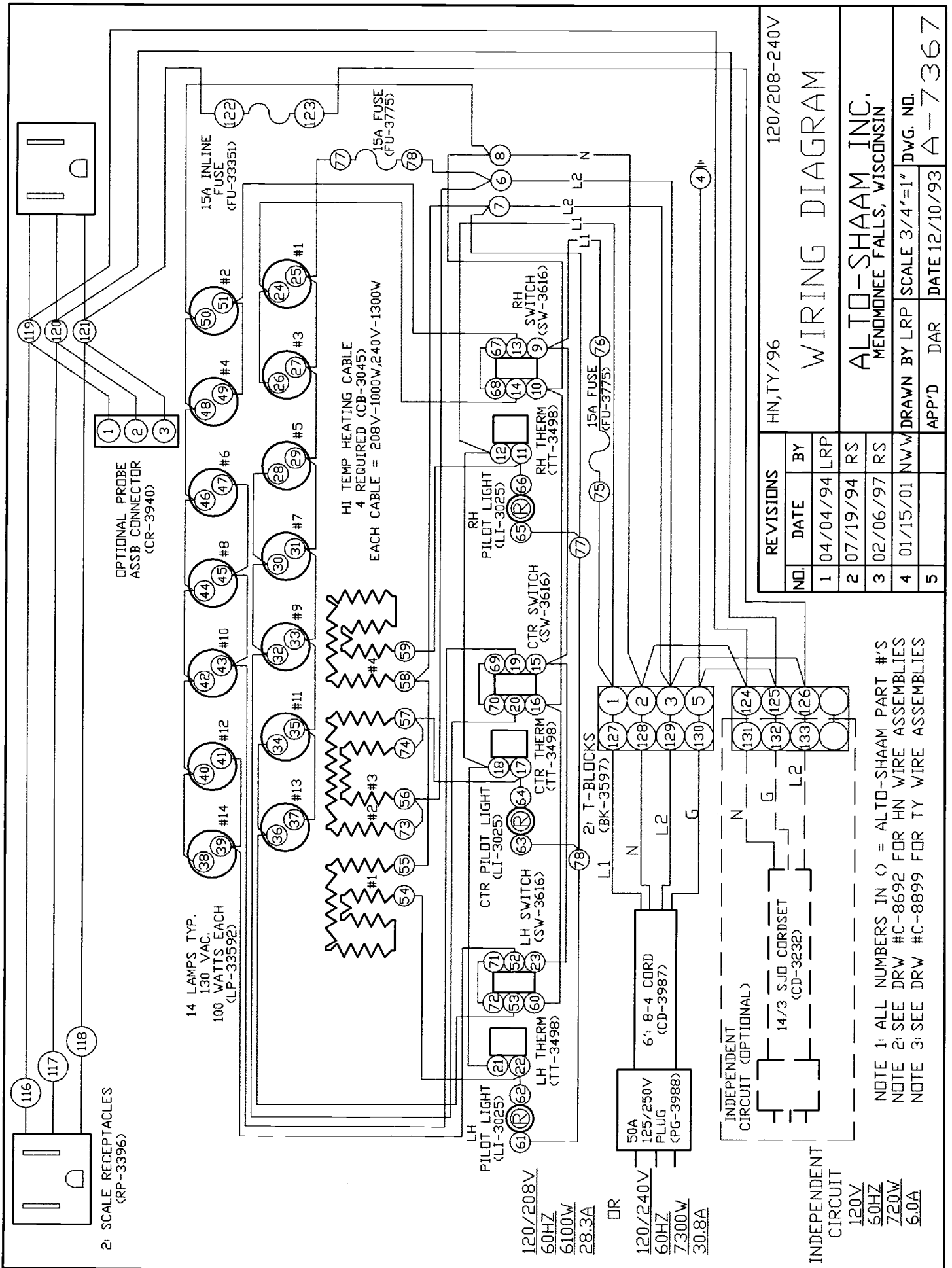
8-27-02	PART DESCRIPTION	QTY	A/S PT NO.
1.	END PANEL BOTTOM	1	13028
	4' (1219mm) RIGHT-HAND BOTTOM PANEL	1	13029
	8' (2438mm) BOTTOM PANEL	1	13032
	6' (1829mm) BOTTOM PANEL	1	13031
	4' (1219mm) LEFT-HAND BOTTOM PANEL	1	13030
2.	8-32x1/2" S/S TRUSS HEAD SCREWS	29	SC-2425
	8-32x1/4" S/S TRUSS HEAD SCREWS	2	SC-2459
3.	CONTROL PANEL MOUNTING SCREWS	5	SC-2459
4.	CONDUIT TUBING: .7' (213mm)	1	TU-3874
5.	INSULATION 1.5"x25.5"x120" (38mmx648mmx3048mm)	2.5	IN-22364
6.	CABLE CONNECTION HARDWARE		
7.	HEATING CABLE: 264' (80467mm)		CB-3045
8.	THERMOSTAT	3	TT-3498
	THERMOSTAT KNOB	3	KN-3473
9.	INDICATOR LIGHT	3	LI-3025
	INDICATOR LIGHT, 230V	3	LI-3951
	INDICATOR LIGHT MOUNTING NUT	3	NU-3335
10.	BULB SWITCH	3	SW-3616
11.	TOP	1	13461
	TOP MOUNTING SCREWS	7	SC-2425
	TOP MOUNTING SCREWS	7	SC-2459
12.	BULB	14	LP-33592
	BULB, 230V	14	LP-3384
13.	BULB SOCKET	14	RP-3952
	BULB SOCKET, 230V	14	RP-3955
14.	CIRCUIT BOX, ALL	1	CI-3906
	BREAKER, 15 AMP	2	CI-33071
	BREAKER, 20 AMP	2	CI-3908
	GROUND BAR KIT	1	CI-3878
15.	DOOR ASSEMBLY	1	DR-23945
16.	END PANEL, WHITE	2	PE-22493
17.	CUTTING BOARD ASSEMBLY	2	4016
18.	CUTTING BOARD BRACKET (BASE)	4	12069
	CUTTING BOARD BRACKET MTG. SCREWS	12	SC-24520
19.	CUTTING BOARD BRACKET	4	BT-2342
20.	END GLASS	2	GL-22479
	END GLASS GASKET: 5' (1524mm)	1	GS-22547
21.	DIVIDER GLASS	1	GL-22719
	DIVIDER GLASS GASKET: 3' (914mm)	1	GS-22548
22.	FRONT, FULL SERVICE GLASS	1	GL-23958
23.	FRONT, SELF-SERVE GLASS	1	GL-23959
24.	BASE BOTTOM	1	1420
25.	CUSTOMER HEAT GUARD	1	11118
26.	PAN DIVIDER BARS (not shown)		
	FULL/HALF/THIRD SIZE (LONG BAR)	3	11317
	FULL/HALF/THIRD SIZE (SHORT BAR)	12	11318
	SHEET PAN	2	11320
	PAN GRID	2	PN-22048
	SELF-SERVE PAN ASSEMBLY	1	14481
27.	SNAP-IN RECEPTACLES, 120/240V, FOR SCALE	2	RP-3396
28.	RECEPTACLE FUSE, 15 AMP, 120/240V	1	FU-33351
	RECEPTACLE FUSEHOLDER, 15 AMP, 120/240V	1	FU-33352
29.	OUTLET HOUSING COVER, 120/240V	1	4951
30.	FRONT GLASS STRUTS	2	SU-22704
31.	4' PROBE PACKAGE OPTION (not shown)	1	5295
32.	OPTIONAL LOAD CTR. PKG. (not shown) 120/240V	1	14220
	INCLUDES: LOAD CENTER	1	CI-3877
	GROUND BAR KIT	1	CI-3878
	BREAKER, 15 AMP	1	CI-33071
	CONNECTOR	1	CR-3953
	NUT	1	NU-3954

TYSYS-96/41L
 SERVICE VIEW 1/16"=1'
 1/23/98 RS



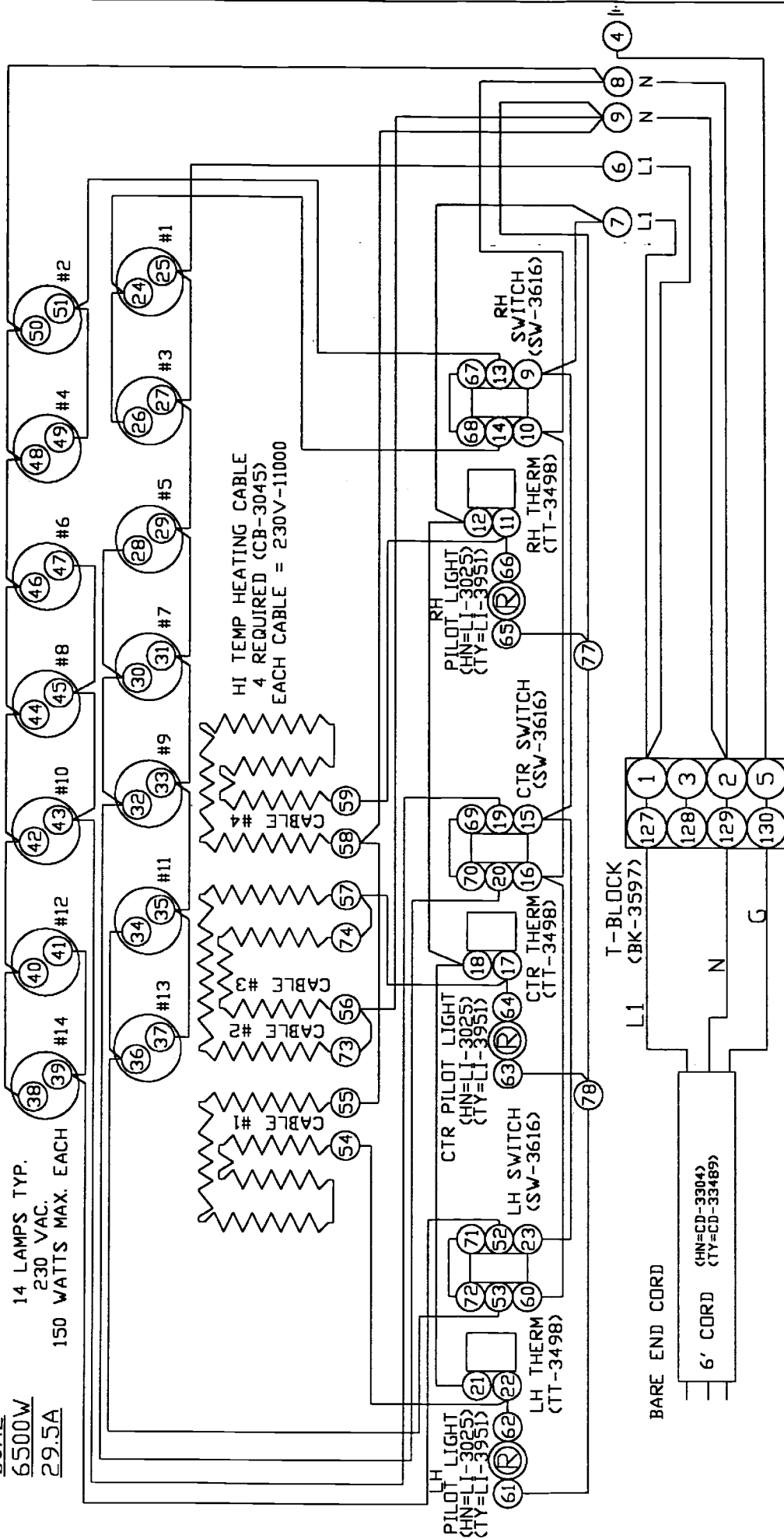
TYSYS-96/41R
 SERVICE VIEW 1/16"=1'
 1/23/98 RS





230V
50HZ
6500W
29.5A

14 LAMPS TYP.
230 VAC.
150 WATTS MAX. EACH



HI TEMP HEATING CABLE
4 REQUIRED (CB-3045)
EACH CABLE = 230V-11000

CABLE
CABLE
CABLE
CABLE

REVISIONS		HN, TY-96		230V	
NO.	DATE	BY	RS		
1	02/06/97	RS			
2	06/18/98	RS			
3	03/02/99	JMM			
4					
5					

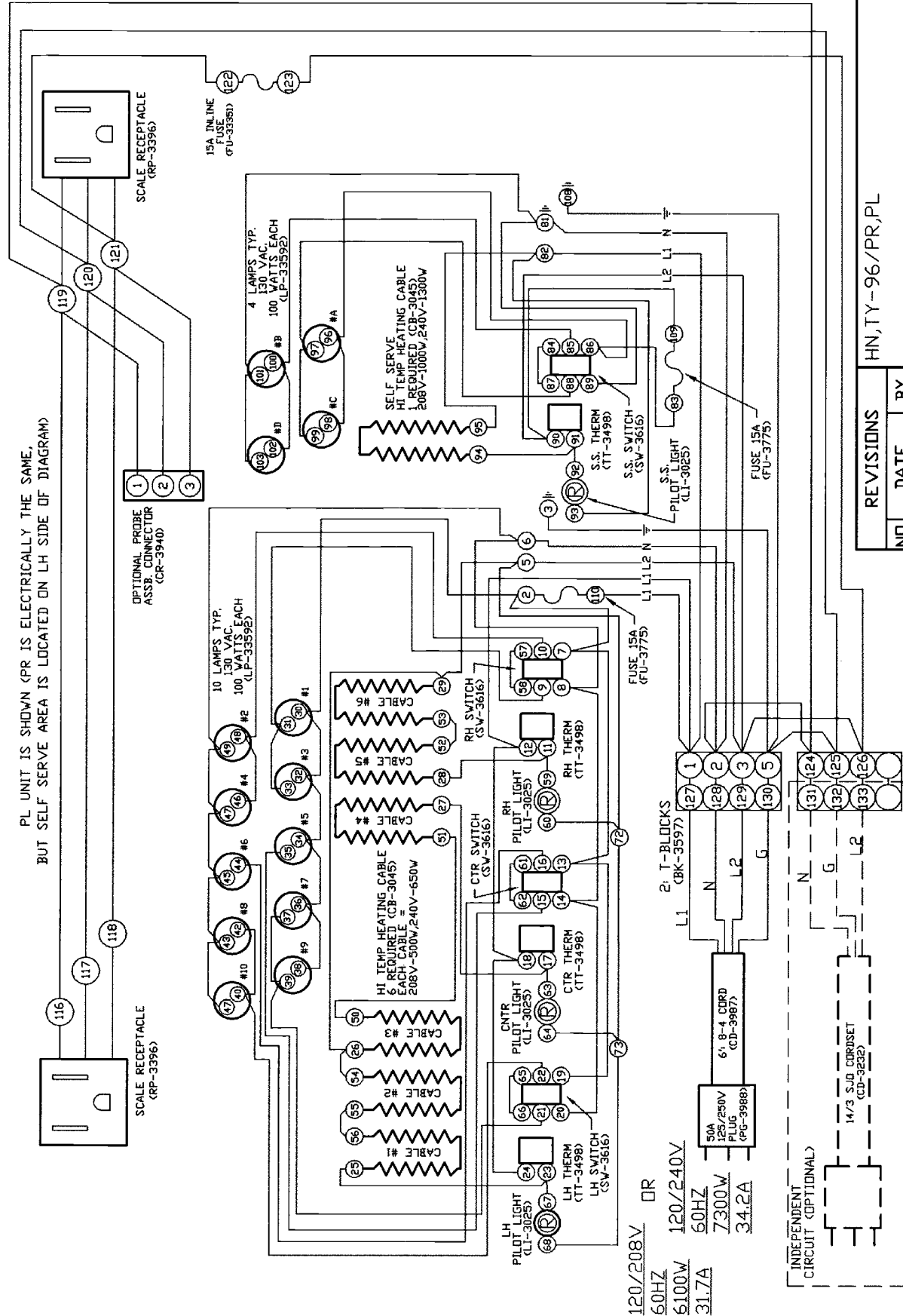
WIRING DIAGRAM

ALTO-SHAAM INC.
MEMMONEE FALLS, WISCONSIN

DRAWN BY RS	SCALE 3/4"=1'	DWG. NO.
APP'D MSM	DATE 11-22-94	A-7400

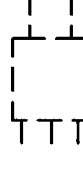
NOTE 1: ALL NUMBERS IN () = ALTO-SHAAM PART NUMBERS
NOTE 2: SEE DRW #C-8723 FOR WIRE ASSEMBLIES

PL UNIT IS SHOWN (PR IS ELECTRICALLY THE SAME,
BUT SELF SERVE AREA IS LOCATED ON LH SIDE OF DIAGRAM)



120/208V OR
60HZ 120/240V
6100W
31.7A
60HZ 7300W
34.2A
50A/250V
PLUG (FG-3988)
61.8-4 CORD
(CB-3987)
2-T-BLOCKS
(CBK-3597)
L1 L2 N G
N L2 G L2
N G L2
N G L2

INDEPENDENT
CIRCUIT (OPTIONAL)



INDEPENDENT
CIRCUIT
120V
60HZ
720W
6.0A

REVISIONS		HN, TY-96/PR, PL		120/240V	
NO.	DATE	BY	RS	SCALE	DWG. NO.
1	02/15/95	RS			
2	02/06/97	RS			
3	01/15/01	NW/W			
4					
5					

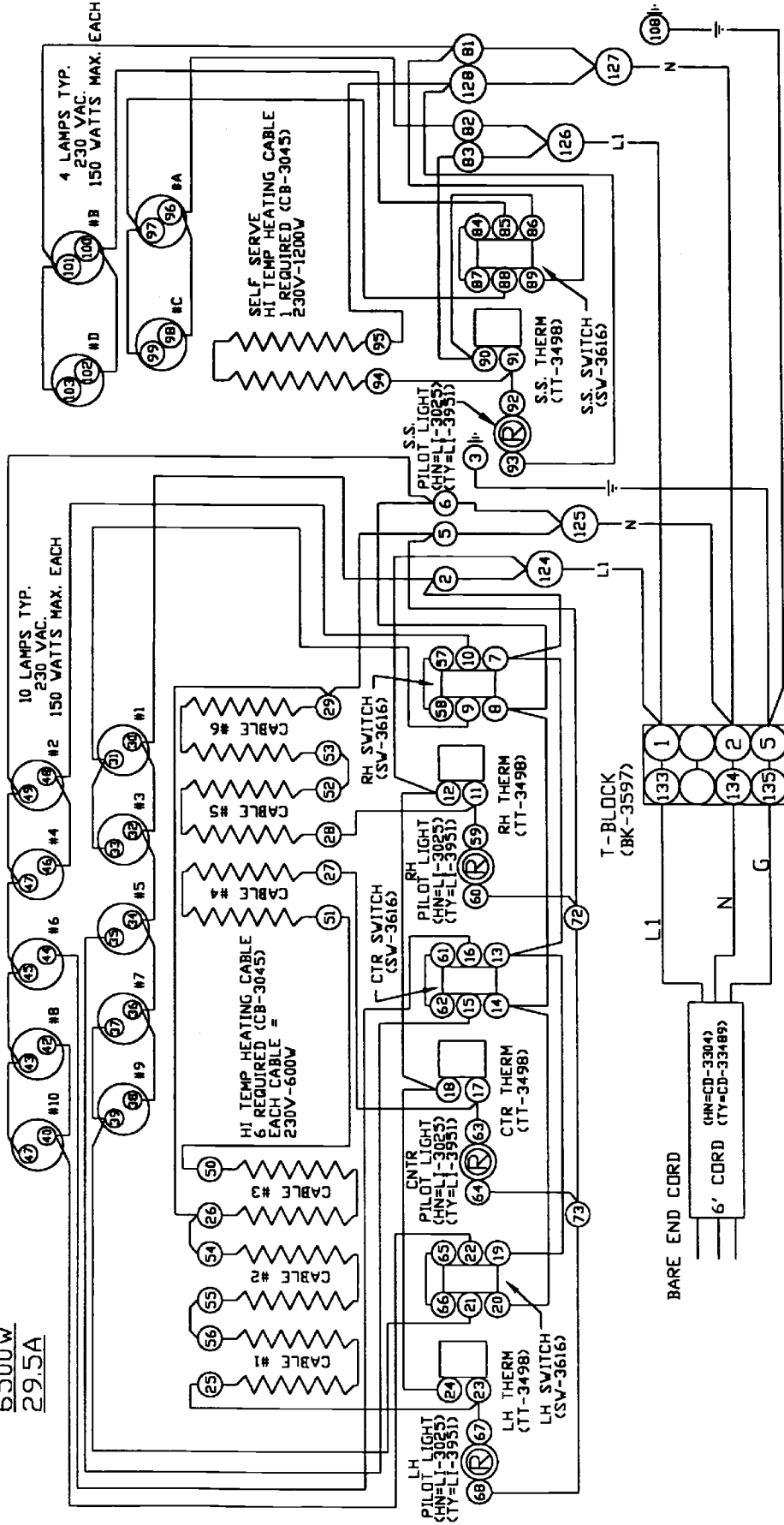
WIRING DIAGRAM

ALTO-SHAAM INC.
MENDONEE FALLS, WISCONSIN

DRAWN BY RS SCALE NONE DWG. NO. A-7401
APP'D DAR DATE 11-28-94

NOTE #1: ALL NUMBERS IN () = ALTO-SHAAM PART NO'S
NOTE #2: SEE DRW. #C-8724 FOR WIRE ASSEMBLIES

230V
50HZ
6500W
29.5A



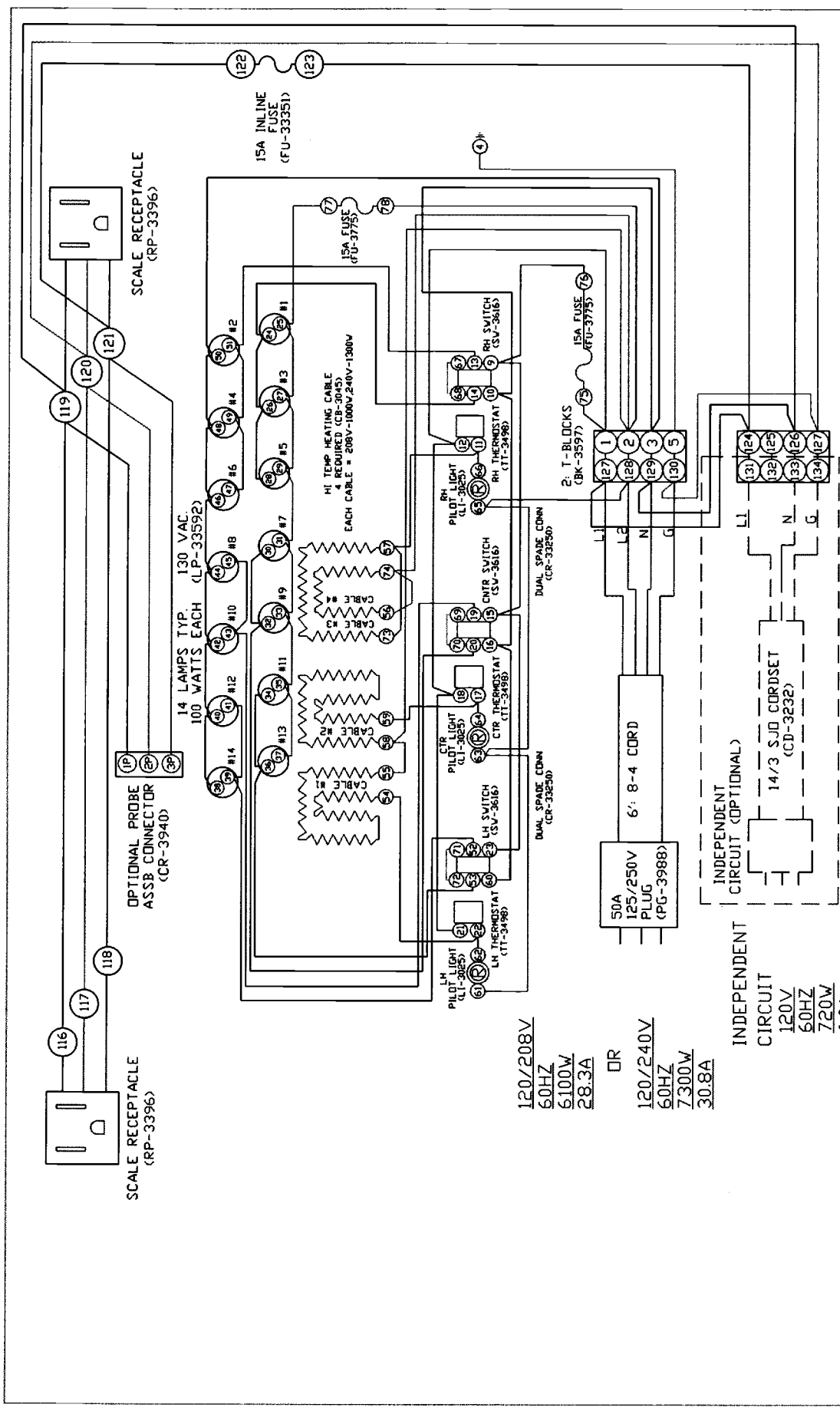
REVISIONS		HN, TY-96/PR, PL		230V
NO.	DATE	BY		
1	02/06/97	RS		
2	06/18/98	RS		
3	03/02/99	JMM		
4				
5				

WIRING DIAGRAM

ALTO-SHAAM INC.
MENDONNEE FALLS, WISCONSIN

DRAWN BY	RS	SCALE	NONE	DWG. NO.
APP'D	MSM	DATE	11-22-94	A-7402

NOTE #1: ALL NUMBERS IN () = ALTO-SHAAM PART NO'S
NOTE #2: SEE DRV. #C-8725 FOR WIRE ASSEMBLIES



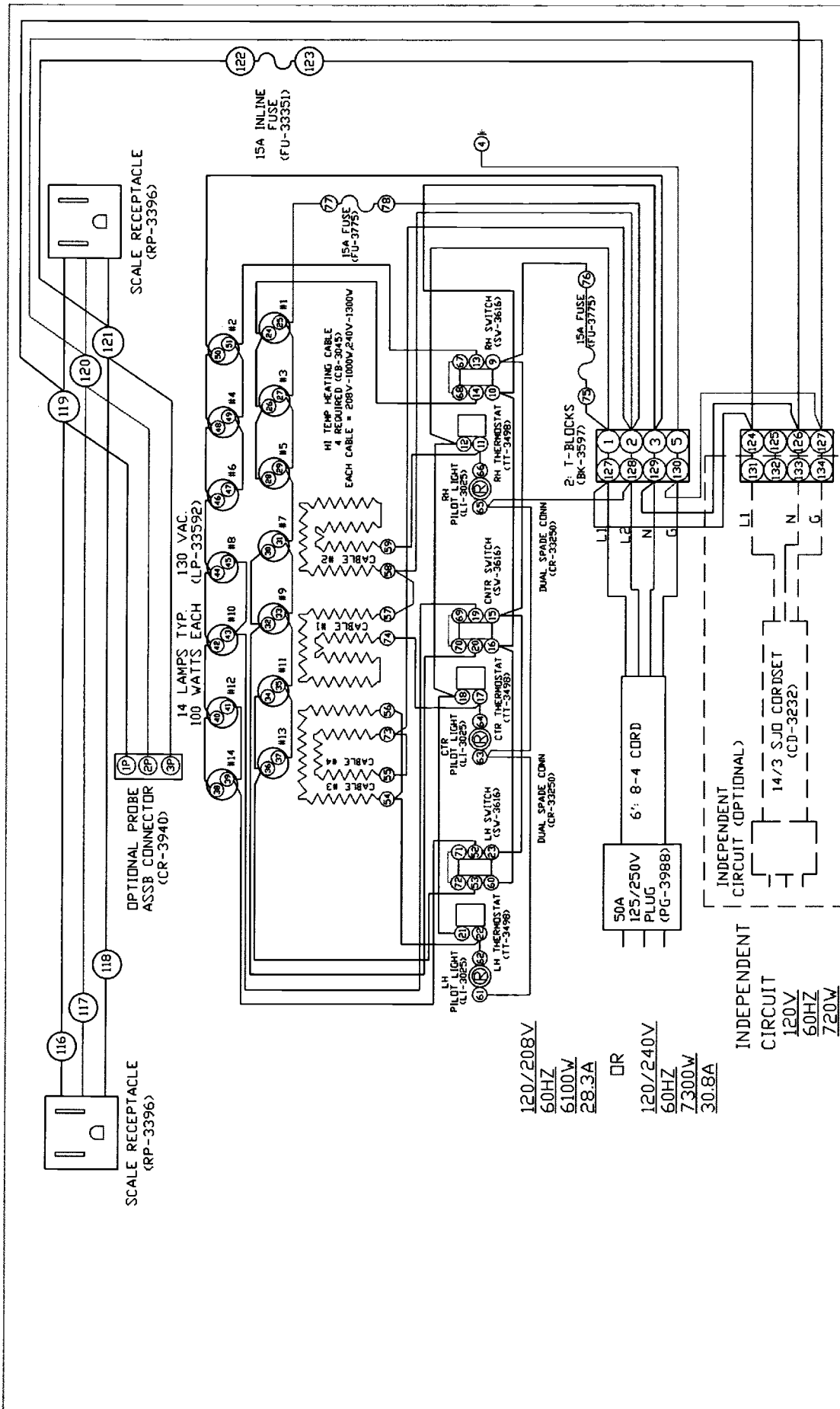
TY-96/41L 120/208-240V
WIRING DIAGRAM
 ALTO-SHAAM INC.
 MENOMONEE FALLS, WISCONSIN

NO	DATE	BY
1		
2		
3		
4		
5		

REVISIONS	NO	DATE	BY
	1		
	2		
	3		
	4		
	5		

DRAWN BY	SCALE	NONE	DWG NO.
CJB	DDF	DDF	A-7596
DATE	12/04/01		

NOTE #1: ALL NUMBERS IN () = ALTO-SHAAM PART NO'S
 NOTE #2: SEE DRW. #C-Wire055b FOR WIRE ASSEMBLIES

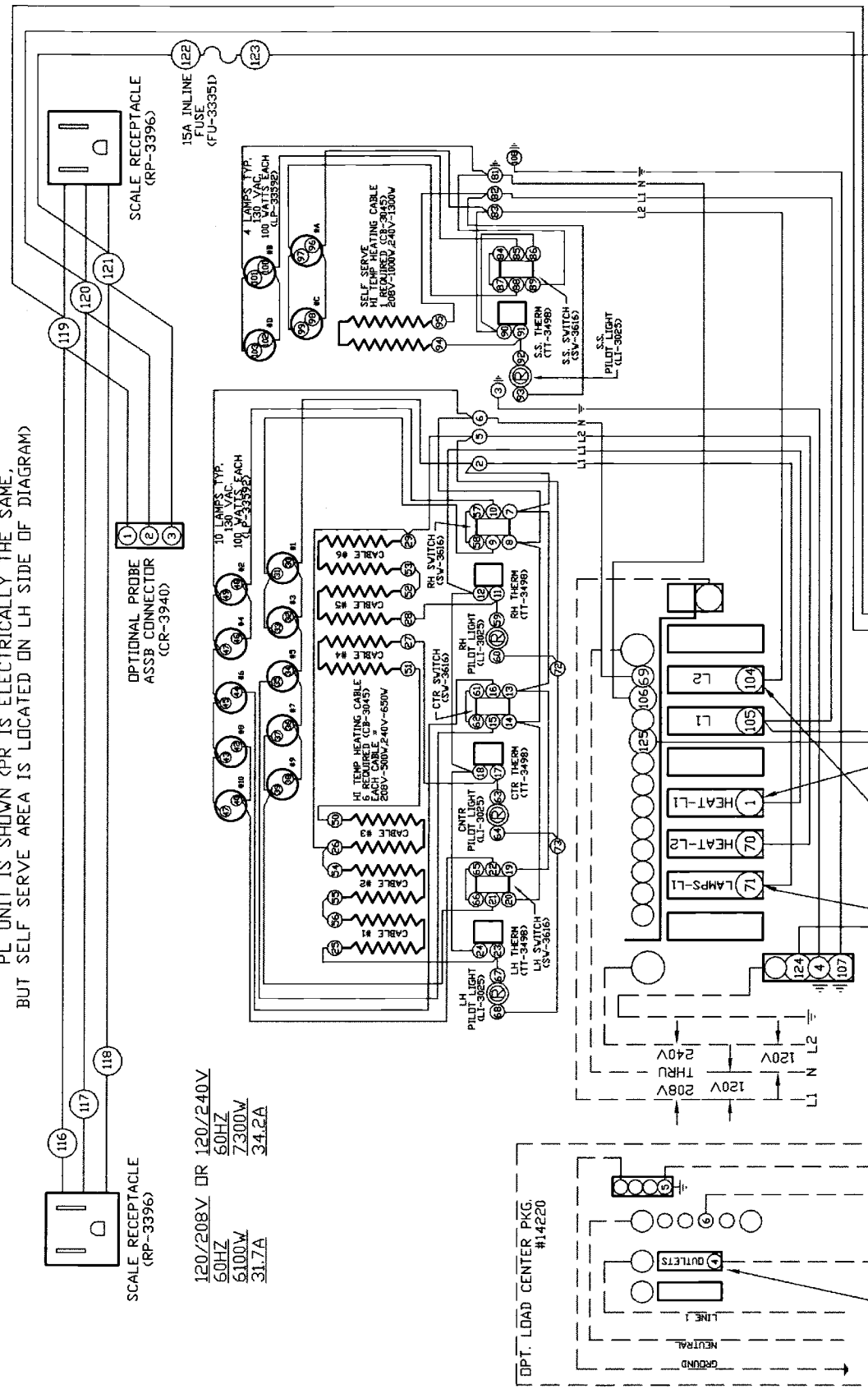


TY-96/41R		120/208-240V	
WIRING DIAGRAM			
ALTO-SHAAM, INC. MEMONINGEE FALLS, WISCONSIN			
DRAWN BY	CJB	SCALE	NONE
DATE	12/05/01	DWG. NO.	A-7597

REVISIONS	
NO.	DATE
1	
2	
3	
4	
5	

NOTE #1: ALL NUMBERS IN () = ALTO-SHAAM PART NO'S
 NOTE #2: SEE DRW. #C-Wireassb FOR WIRE ASSEMBLIES

PL UNIT IS SHOWN (PR IS ELECTRICALLY THE SAME,
BUT SELF SERVE AREA IS LOCATED ON LH SIDE OF DIAGRAM)



SCALE RECEPTACLE
(RP-3396)

120/208V OR 120/240V
60HZ
6100W
31.7A

OPTIONAL PROBE
ASSB CONNECTOR
(CR-3940)

10 LAMPS TYP.
15 VA AC EACH
100 WATTS EACH
(LP-33552)

SCALE RECEPTACLE
(RP-3396)

15A INLINE
FUSE
(FU-33351D)

4 LAMPS TYP.
15 VA AC EACH
100 WATTS EACH
(LP-33552)

SELF SERVE
HEATING CABLE
REQUIRED (CR-3045)
208V-1000V 240V-1500W

HI TEMP HEATING CABLE
REQUIRED (CR-3045)
208V-500W 240V-650W

DPT. LOAD CENTER PKG.
#14220

15A SCALE/PROBE
CIRCUIT BRKR.
(CI-33071)

2 15A CIRCUIT BREAKERS
(CI-33071)

3 20A UNIT CRCT.
BRKRS (CI-3907)

NOTE: DO NOT TIE NEUTRAL TO GROUND!

120V
60HZ
720W
6.0A

2 15A CIRCUIT BREAKERS
(CI-33071)

3 20A UNIT CRCT.
BRKRS (CI-3907)

NOTE: DO NOT TIE NEUTRAL TO GROUND!

REVISIONS

NO.	DATE	BY
1	10/05/93	RS
2	04/05/94	LRP
3	02/11/97	RS
4	01/15/01	NW
5		

TYSYS-96/PR,PL

120/208-240V

WIRING DIAGRAM

ALTO-SHAAM INC.
MENDONEE FALLS, WISCONSIN

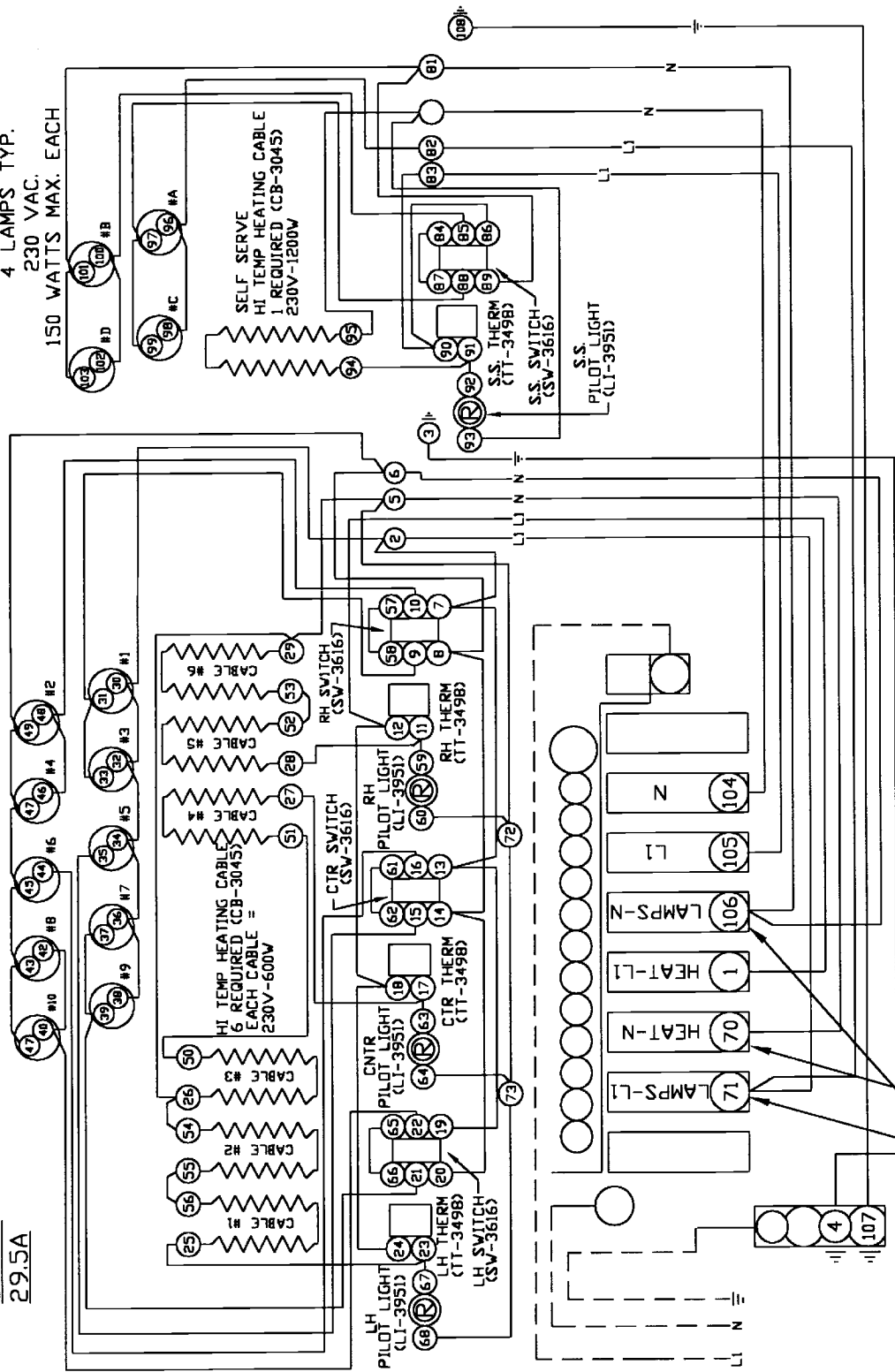
DRAWN BY LRW SCALE 1/2"=1"
APP'D DAR DATE 9/11/92 DWG. NO. A-7340

NOTE #1: ALL NUMBERS IN () = ALTO-SHAAM PART NO'S
NOTE #2: SEE DRW. #C-8662 FOR WIRE ASSEMBLIES

230V
50HZ
6500W
29.5A

10 LAMPS TYP.
230 VAC.
150 WATTS MAX. EACH

4 LAMPS TYP.
230 VAC.
150 WATTS MAX. EACH

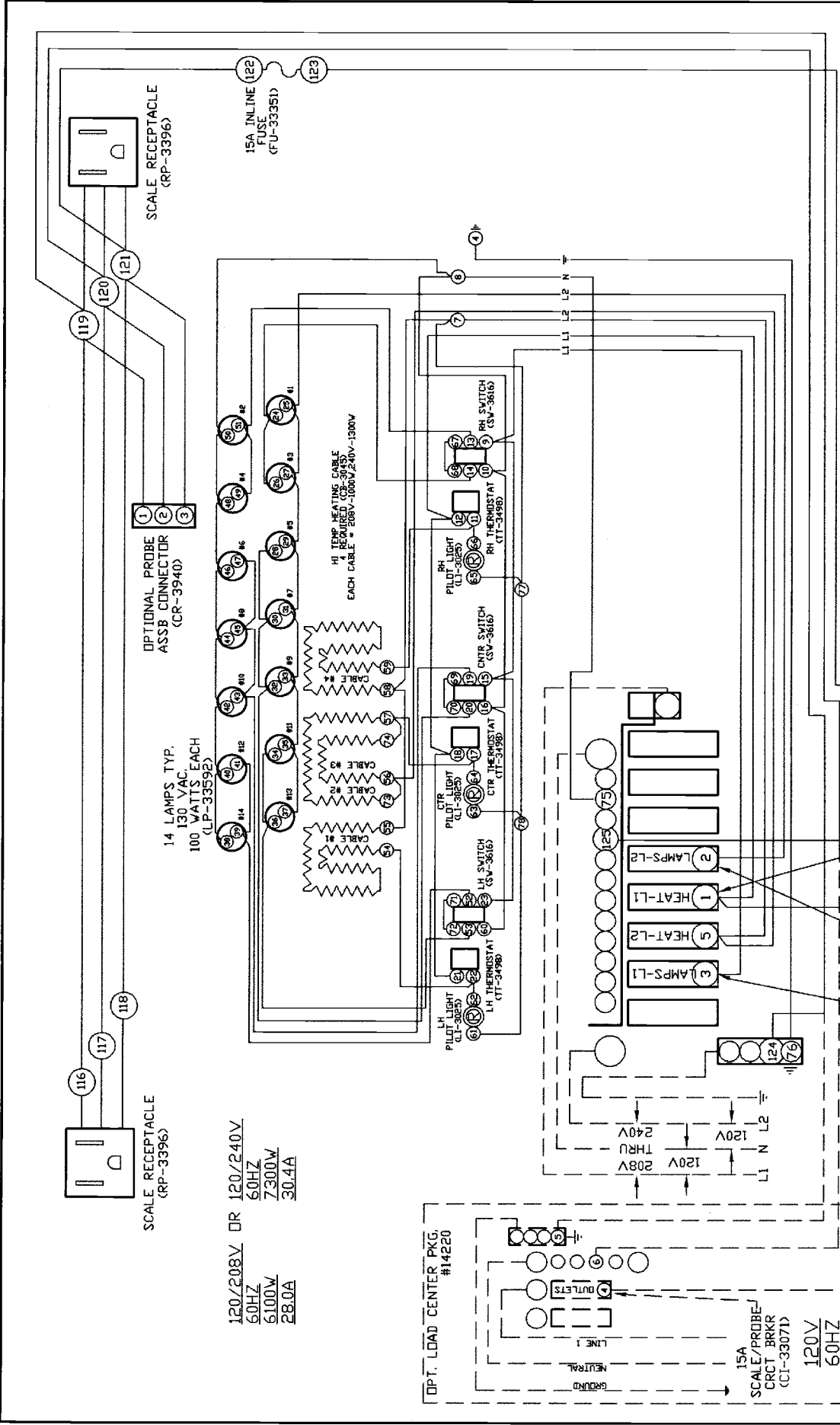


2: 15A CIRCUIT BREAKERS (CI-33071)

4: 20A UNIT CIRCUIT BREAKERS (CI-3907)

TYSYS-96/PR,PL		230V
WIRING DIAGRAM		
ALTO-SHAAM INC. MEMONEE FALLS, WISCONSIN		
REVISIONS	SCALE	DWG. NO.
NO. DATE BY	BY RS	DATE 11-28-94
1 02/11/97 RS	MSM	A-7405
2 06/18/98 RS	MSM	
3 03/02/99 JMM	MSM	
4	MSM	
5	MSM	

NOTE #1: ALL NUMBERS IN () = ALTO-SHAAM PART NO'S
NOTE #2: SEE DRW. #B-8781 FOR WIRE ASSEMBLIES



REVISIONS		TYSYS-96,96/4R,96/4L		120/208-240V	
NO.	DATE	BY			
1	04/05/94	LRP			
2	11/09/94	RS			
3	02/11/97	RS			
4	01/15/01	NW	SCALE 1/2"=1"	DWG. NO.	
5				APP'D	

WIRING DIAGRAM

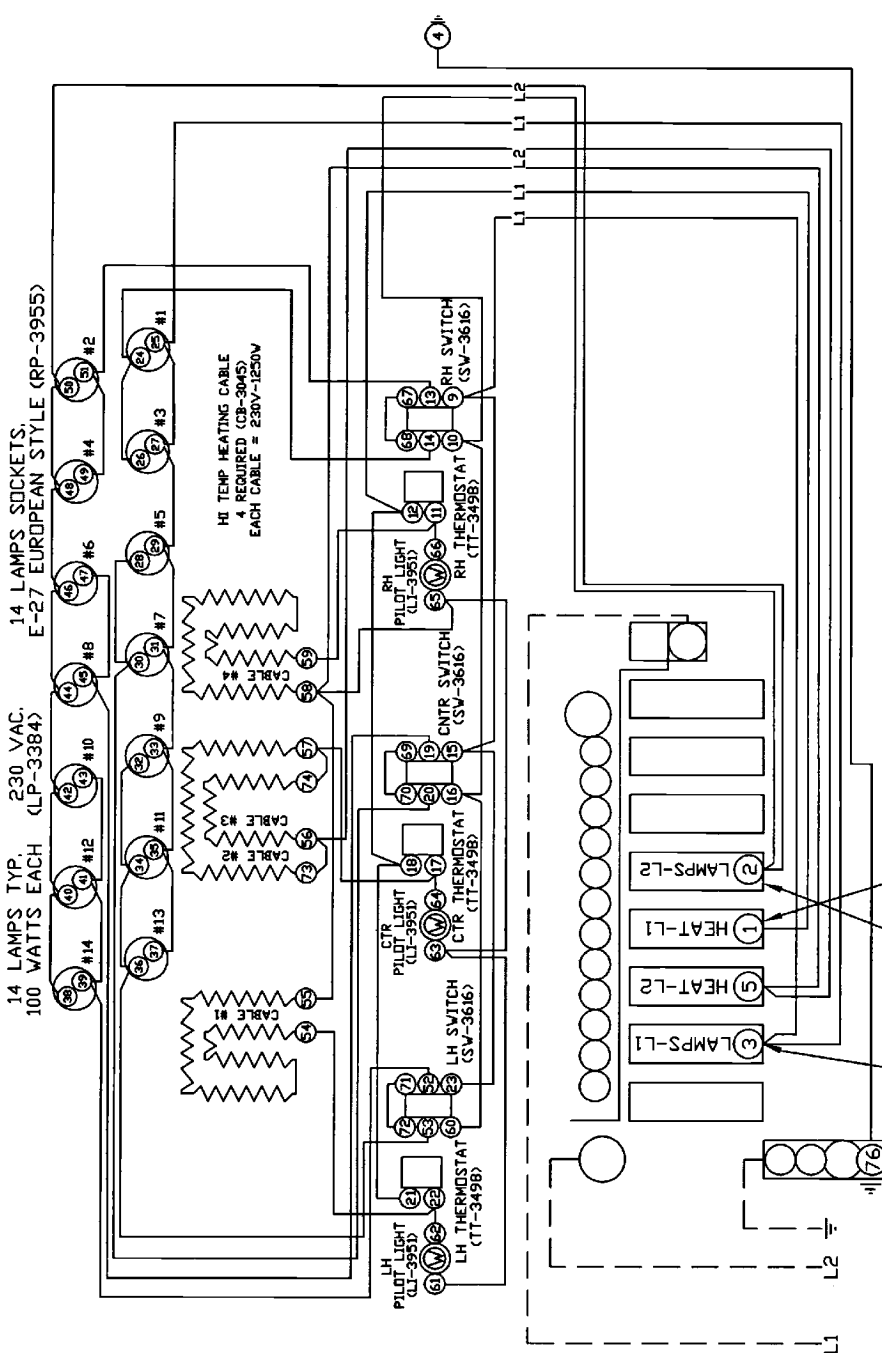
ALTO-SHAAM INC.
MEMONEE FALLS, WISCONSIN

DATE 9/09/92

A-7339

NOTE #1: ALL NUMBERS IN () = ALTO-SHAAM PART NO'S

NOTE #2: SEE DRW. #C-8661 FOR WIRE ASSEMBLIES



14 LAMPS TYP. 230 VAC.
100 WATTS EACH (LP-3384)

14 LAMPS SOCKETS,
E-27 EUROPEAN STYLE (RP-3955)

HI TEMP HEATING CABLE
4 REQUIRED (CB-304S)
EACH CABLE = 230V-1250W

230V
50/60HZ
6400W
28 A

REVISIONS		TYSYS-96/4L,4R		230V
NO.	DATE	BY		
1	2/11/97	RS		
2	7/22/97	RS		
3	6/18/98	RS		
4	03/2/99	JMM	DRAWN BY DDF	SCALE NONE
5	3/12/02	CJB	APP'D	DATE 03/11/02
6	08/27/02	CB		

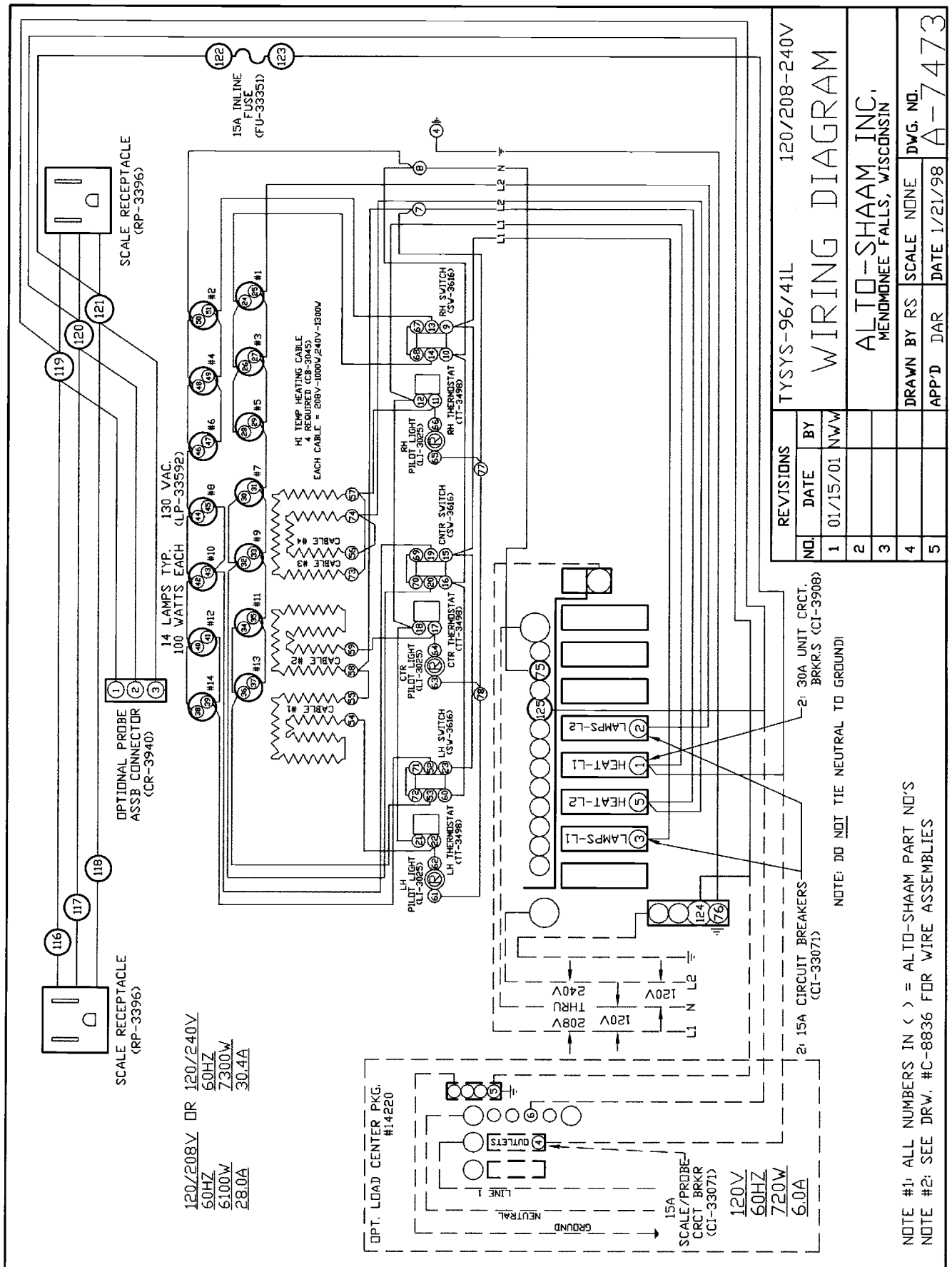
WIRING DIAGRAM

ALTO-SHAAM INC.
MEMMONEE FALLS, WISCONSIN

DWG. NO. A-7404

2: 15A CIRCUIT BREAKERS (CI-33071)
2: 30A UNIT CRCT. BRKR.S (CI-3908)

NOTE #1: ALL NUMBERS IN () = ALTO-SHAAM PART NO'S
NOTE #2: SEE DRW. # 8780 FOR WIRE ASSEMBLIES



REVISIONS		TYSYS-96/41L		120/208-240V	
NO.	DATE	BY	WIRING DIAGRAM		
1	01/15/01	NW			
2					
3					
4					
5					

ALTO-SHAAM INC.
MEMMONEE FALLS, WISCONSIN

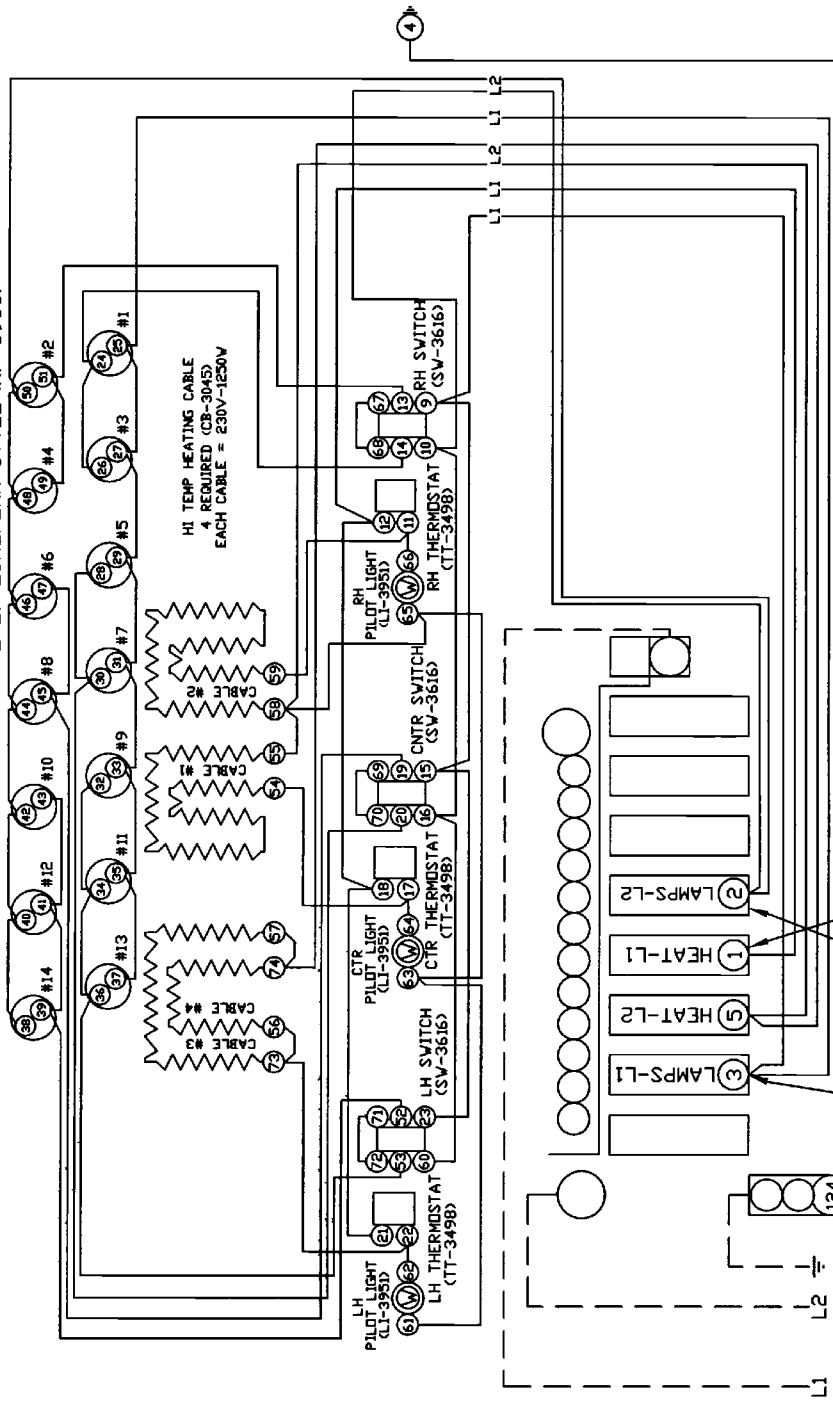
DRAWN BY RS SCALE NONE DWG. NO. A-7473

APP'D DAR DATE 1/21/98

NOTE #1: ALL NUMBERS IN () = ALTO-SHAAM PART NO'S
NOTE #2: SEE DRW. #C-8836 FOR WIRE ASSEMBLIES

230V
50/60HZ
6400W
28 A

14 LAMPS TYP. 230 VAC. 14 LAMPS SOCKETS.
100 WATTS EACH (LP-3384) E-27 EUROPEAN STYLE (RP-3955)



REVISIONS		TYSYS-96/41R		230V	
NO.	DATE	BY			
1	08/27/02	CB			
2					
3					
4					
5					

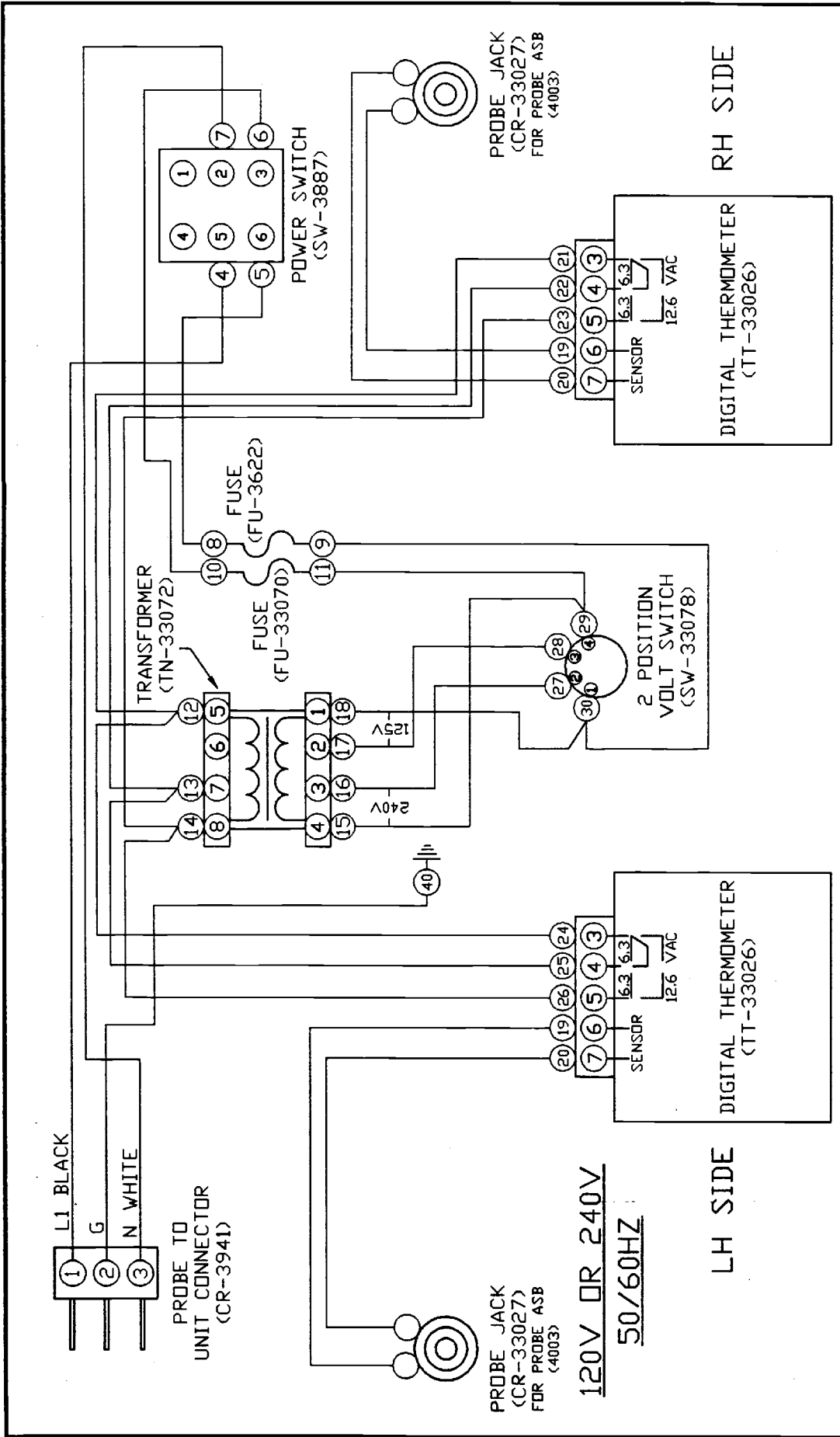
WIRING DIAGRAM

ALTO-SHAAM INC.
MEMONONE FALLS, WISCONSIN

DRAWN BY	DDF	SCALE	NONE	DWG. NO.	B-7633
APP'D	PED	DATE	03/11/02		

2: 15A CIRCUIT BREAKERS (CI-33071)
2: 30A UNIT CRCT. BRKRS (CI-390B)

NOTE #1: ALL NUMBERS IN () = ALTO-SHAAM PART NO'S
NOTE #2: SEE DRW. # 8103 FOR WIRE ASSEMBLIES



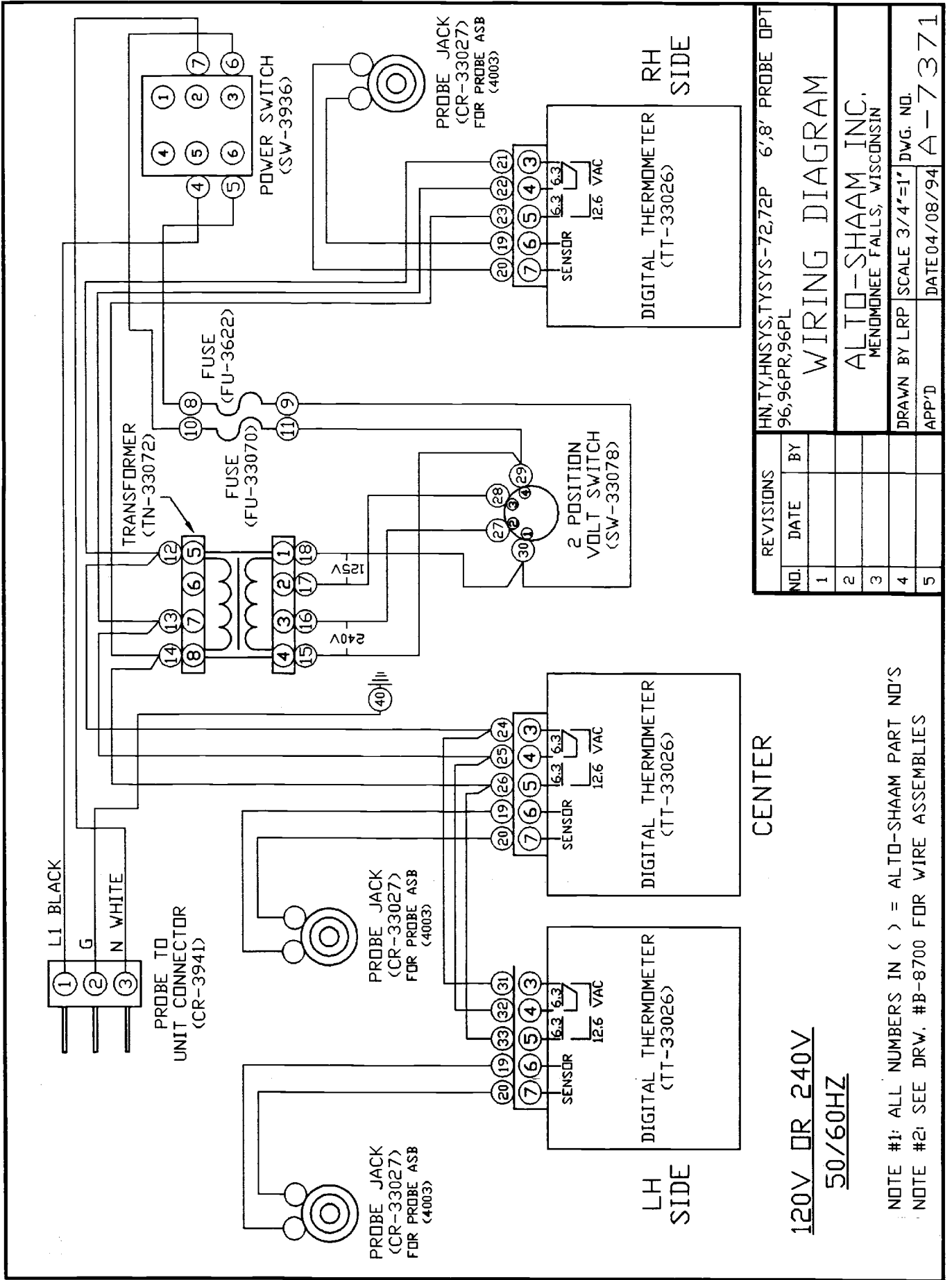
REVISIONS		HN, TY, HNSYS, TYSYS-48, 48P		4' PROBE OPT	
NO.	DATE	BY	72PR, 72PL		
1					
2					
3					
4					
5					

WIRING DIAGRAM

ALTO-SHAAM INC.
MENDOTA FALLS, WISCONSIN

DRAWN BY LRP SCALE 3/4"=1" DWG. NO.
APP'D DATE 04/08/94 A-7370

NOTE #1: ALL NUMBERS IN () = ALTO-SHAAM PART NO'S
NOTE #2: SEE DRW. #B-8699 FOR WIRE ASSEMBLIES



REVISIONS		HN, TY, HNSYS, TYSYS-72, 72P 6', 8' PROBE OPT 96, 96PR, 96PL	
NO.	DATE	BY	
1			
2			
3			
4			
5			

WIRING DIAGRAM

ALTO-SHAAM INC.
MEMONOCEE FALLS, WISCONSIN

DRAWN BY LRP	SCALE 3/4"=1'	DWG. NO.
APP'D	DATE 04/08/94	A-7371

CENTER

120V OR 240V
50/60HZ

NOTE #1: ALL NUMBERS IN () = ALTO-SHAAM PART NO'S
NOTE #2: SEE DRW. #B-8700 FOR WIRE ASSEMBLIES

TRANSPORTATION DAMAGE and CLAIMS



All Alto-Shaam equipment is sold F.O.B. shipping point, and when accepted by the carrier, such shipments become the property of the consignee.

Should damage occur in shipment, it is a matter between the carrier and the consignee. In such cases, the carrier is assumed to be responsible for the safe delivery of the merchandise, unless negligence can be established on the part of the shipper.

1. Make an immediate inspection while the equipment is still in the truck or immediately after it is moved to the receiving area. Do not wait until after the material is moved to a storage area.
2. Do not sign a delivery receipt or a freight bill until you have made a proper count and inspection of all merchandise received.
3. Note all damage to packages directly on the carrier's delivery receipt.
4. Make certain the driver signs this receipt. If he refuses to sign, make a notation of this refusal on the receipt.
5. If the driver refuses to allow inspection, write the following on the delivery receipt:
Driver refuses to allow inspection of containers for visible damage.
6. Telephone the carrier's office immediately upon finding damage, and request an inspection. Mail a written confirmation of the time, date, and the person called.
7. Save any packages and packing material for further inspection by the carrier.
8. Promptly file a written claim with the carrier and attach *copies* of all supporting paperwork.

We will continue our policy of assisting our customers in collecting claims which have been properly filed and actively pursued. We cannot, however, file any damage claims for you, assume the responsibility of any claims, or accept deductions in payment for such claims.

ALTO-SHAAM® LIMITED WARRANTY

Alto-Shaam, Inc. warrants to the original purchaser that any original part that is found to be defective in material or workmanship will, at our option, subject to provisions hereinafter stated, be replaced with a new or rebuilt part.

The labor warranty remains in effect one (1) year from installation or fifteen (15) months from the shipping date, whichever occurs first.

The parts warranty remains in effect one (1) year from installation or fifteen (15) months from the shipping date, whichever occurs first.

Exceptions to the one year part warranty period are as listed:

- A. Halo Heat cook/hold ovens include a five (5) year parts warranty on the heating element. Labor will be covered under the terms of the standard warranty period of one (1) year or fifteen (15) months.
- B. Alto-Shaam Quickchillers include a five (5) year parts warranty on the refrigeration compressor. Labor will be covered under the terms of the standard warranty period of one (1) year or fifteen (15) months.

This warranty does not apply to:

1. Calibration
2. Replacement of light bulbs and/or the replacement of display case glass due to damage of any kind.
3. Equipment damage caused by accident, shipping, improper installation or alteration.
4. Equipment used under conditions of abuse, misuse, carelessness or abnormal conditions.
5. Any losses or damage resulting from malfunction, including loss of product or consequential or incidental damages of any kind.
6. Equipment modified in any manner from original model, substitution of parts other than factory authorized parts, removal of any parts including legs, or addition of any parts.

This warranty is exclusive and is in lieu of all other warranties, expressed or implied, including the implied warranties of merchantability and fitness for purpose. In no event shall the Company be liable for loss of use, loss of revenue, or loss of product or profit, or for indirect or consequential damages. This warranty is in lieu of all other warranties expressed or implied and Alto-Shaam, Inc. neither assumes or authorizes any persons to assume for it any other obligation or liability in connection with Alto-Shaam equipment.

ALTO-SHAAM, INC.

Warranty effective January 1, 2000

Record the model and serial numbers of the unit for easy reference.

Always refer to both model and serial numbers in your correspondence regarding the unit.

Model: _____

Serial Number: _____

Purchased From: _____

Date Installed: _____ Voltage: _____

HALO HEAT COOK/HOLD/SERVE SYSTEMS BY ALTO-SHAAM®

W164 N9221 Water Street • P.O. Box 450 • Menomonee Falls, Wisconsin 53052-0450 • U.S.A.

PHONE: 262.251.3800

FAX: 262.251.7067 • 800.329.8744 U.S.A./CANADA

WEBSITE:

800.558.8744 U.S.A./CANADA

262.251.1907 INTERNATIONAL

www.alto-shaam.com