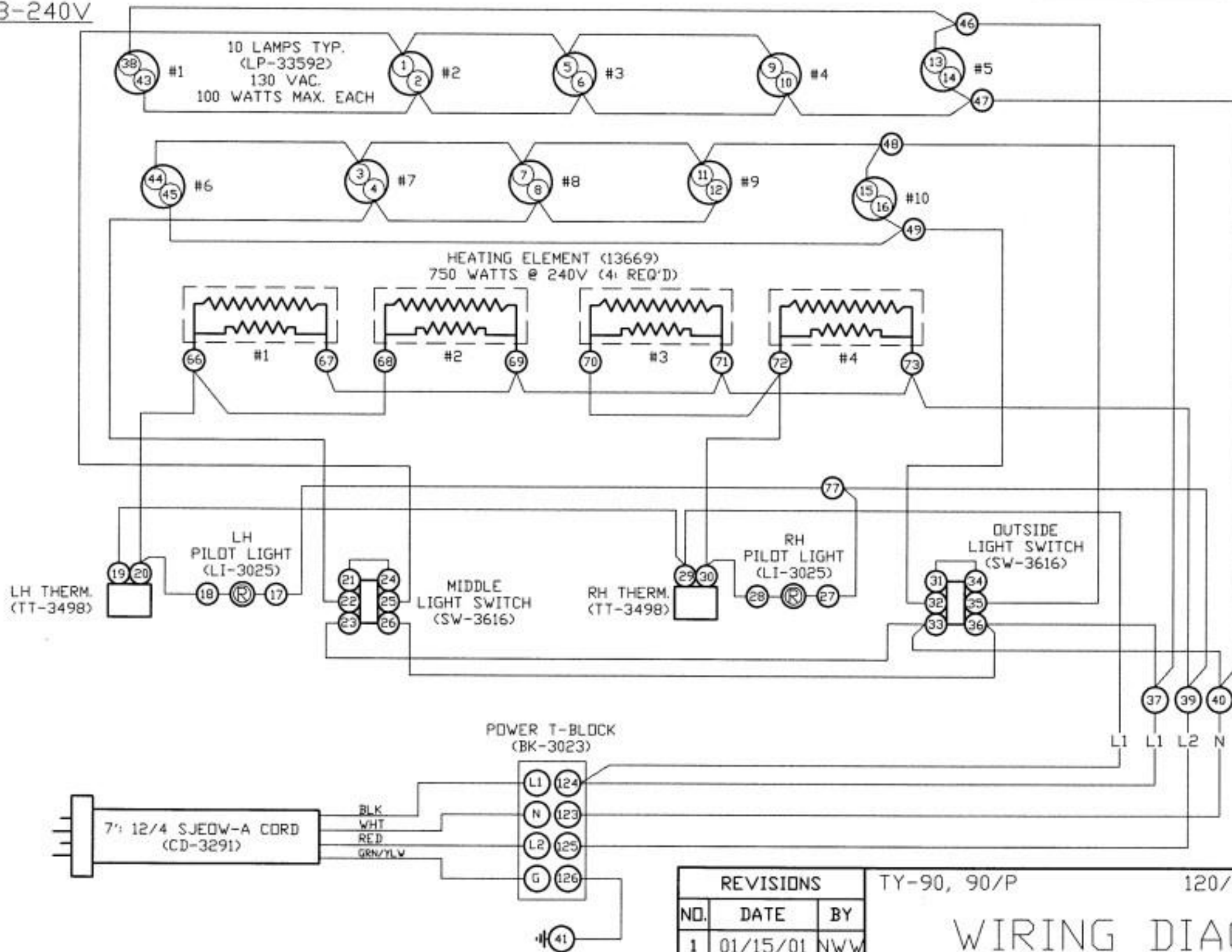


120/208-240V
 60Hz
 4500W
 25.0A

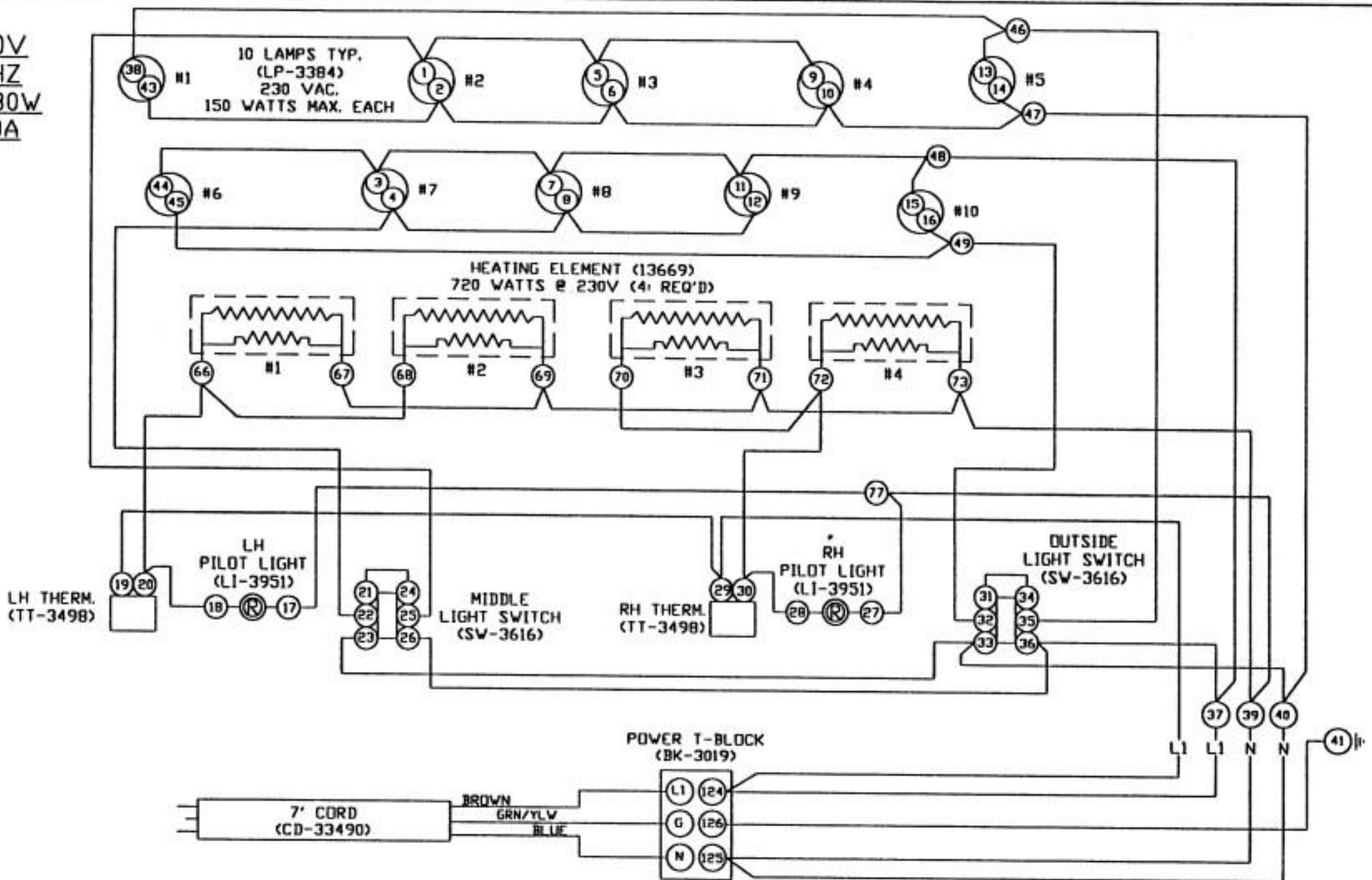


NOTE #1: ALL NUMBERS IN () = ALTO-SHAAM PART NUMBERS.

NOTE #2: SEE DRAWING #C-8852 FOR WIRE ASSEMBLIES.

REVISIONS			TY-90, 90/P	120/208-240V	
NO.	DATE	BY			
1	01/15/01	NWW	<p style="text-align: center;">WIRING DIAGRAM</p> <p style="text-align: center;">ALTO-SHAAM INC. MENOMONEE FALLS, WISCONSIN</p>		
2					
3					
4			DRAWN BY RS	SCALE NONE	DWG. NO.
5			APP'D DAR	DATE 6/10/98	A-7485

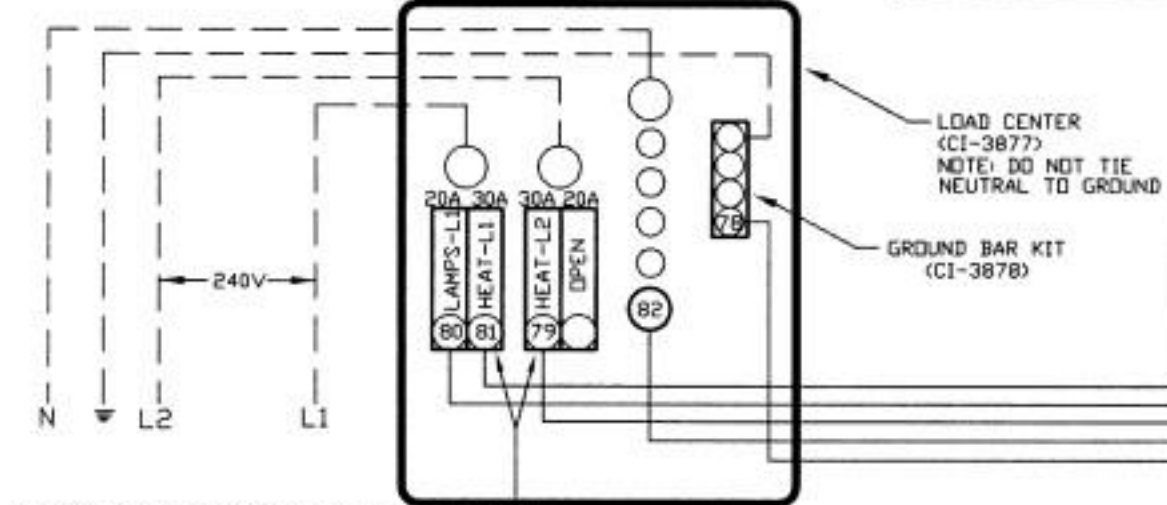
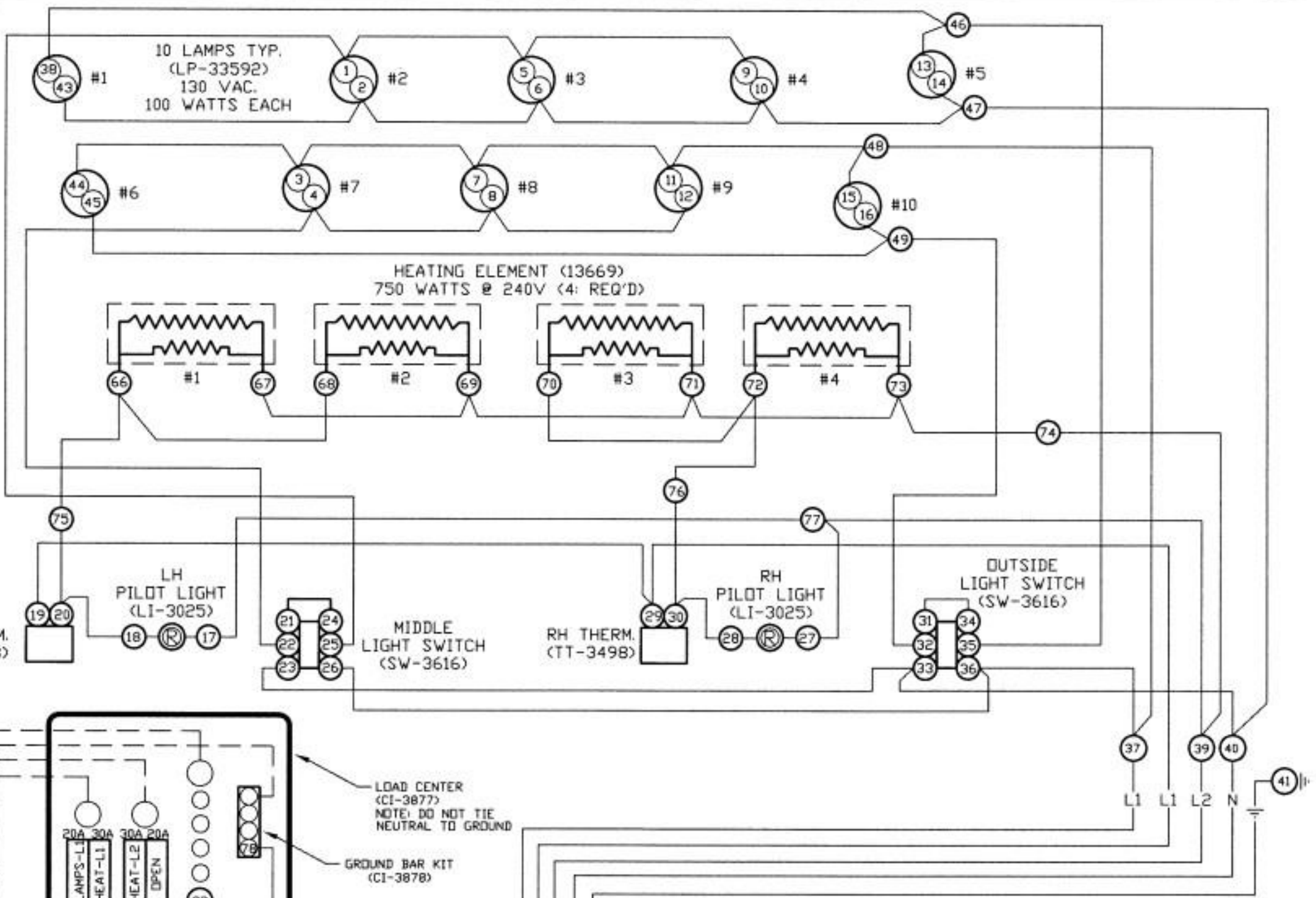
230V
50HZ
4380W
19.0A



NOTE #1: ALL NUMBERS IN () = ALTO-SHAAM PART NUMBERS.
NOTE #2: = SEE DRAWING HC-8853 FOR WIRE ASSEMBLIES.

REVISIONS			TY-90, 90/P	230V,50HZ
NO.	DATE	BY	WIRING DIAGRAM	
1	03/02/99	JMM	ALTO-SHAAM INC. MENDONNEE FALLS, WISCONSIN	
2			DRAWN BY RS SCALE NONE DWG. NO.	
3			APP'D <i>[Signature]</i> DATE 6/10/98 A-7486	
4				
5				

120/208-240V
 60Hz
 4500W
 25.0A

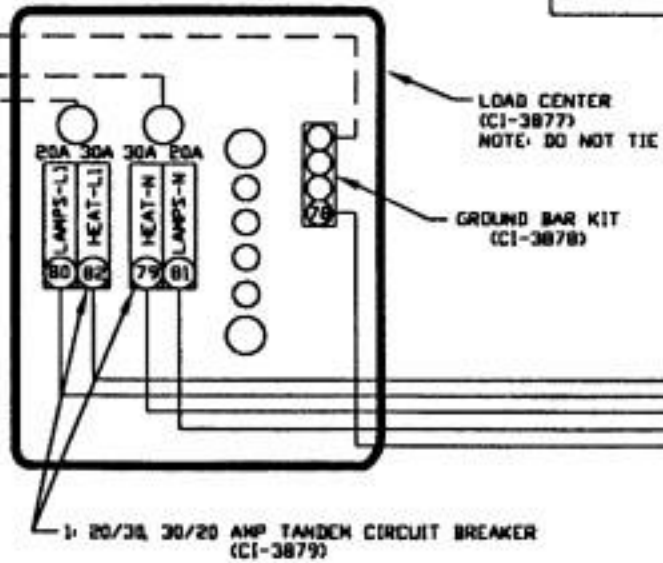
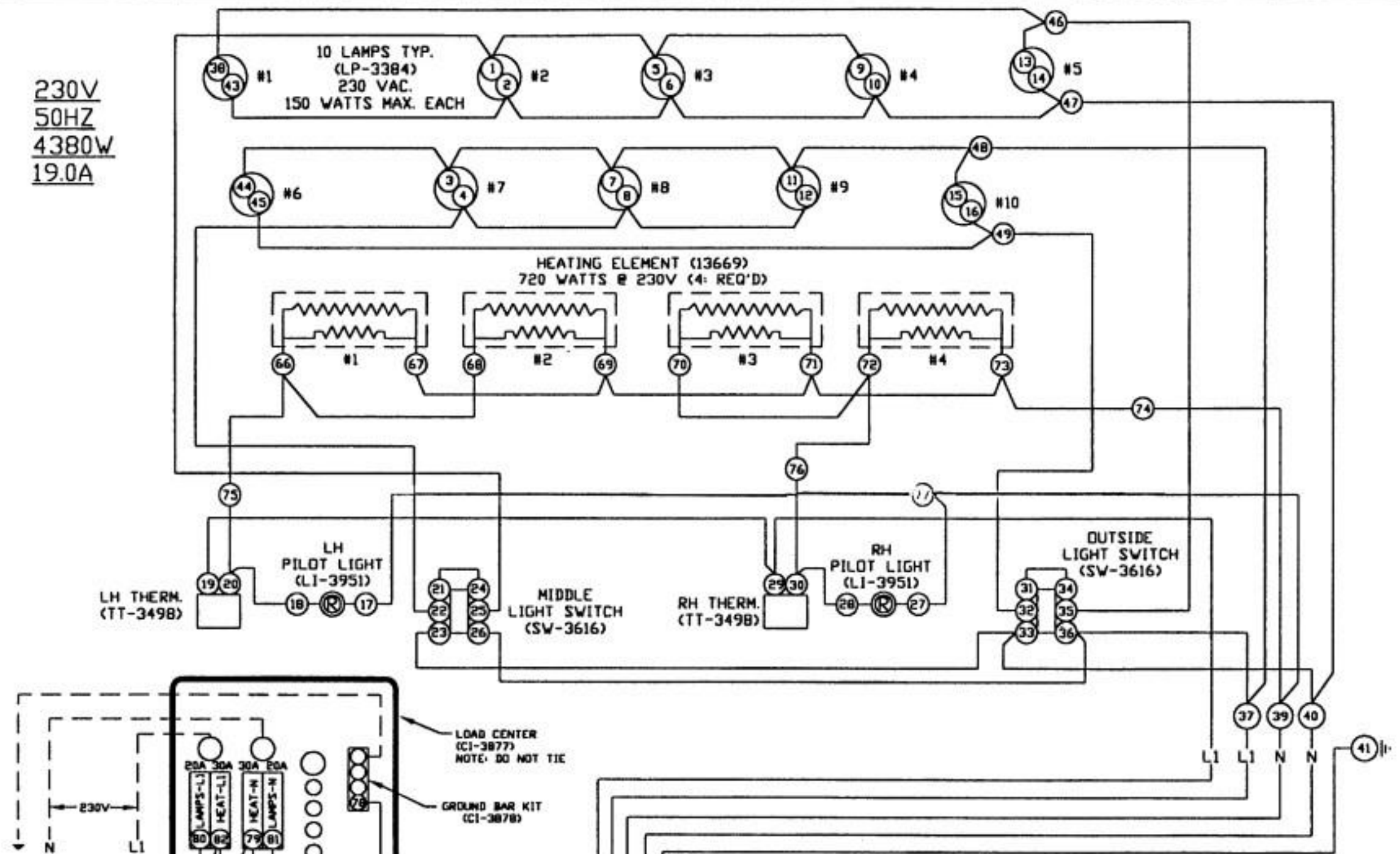


1) 20/30, 30/20 AMP TANDEM CIRCUIT BREAKER (CI-3879)

NOTE #1: ALL NUMBERS IN () = ALTO-SHAAM PART NUMBERS.
 NOTE #2: SEE DRAWING # C-8854 FOR WIRE ASSEMBLIES.

REVISIONS			TYSYS-90, 90/P 120/208-240V	
NO.	DATE	BY	WIRING DIAGRAM	
1	09/01/99	JMM	ALTO-SHAAM INC. MENOMONEE FALLS, WISCONSIN DRAWN BY RS SCALE NONE DWG. NO. APP'D DAR DATE 6/10/98 A-7487	
2	01/15/01	NW		
3				
4				
5				

230V
50HZ
4380W
19.0A



NOTE #1: ALL NUMBERS IN () = ALTO-SHAAM PART NUMBERS.
NOTE #2: SEE DRAWING #C-8855 FOR WIRE ASSEMBLIES.

REVISIONS			TYSYS-90, 90/P	230V
NO.	DATE	BY	WIRING DIAGRAM	
1	03/02/99	JMM	ALTO-SHAAM INC. MEMONEE FALLS, WISCONSIN	
2	09/01/99	JMM		
3			DRAWN BY RS	SCALE NONE
4			APP'D MSM	DATE 6/10/98
5			DWG. NO. A-7488	